

**BEFORE YOU BEGIN YOUR INSTALLATION:**



Turn off water supply.

**REQUIRED TOOLS:**

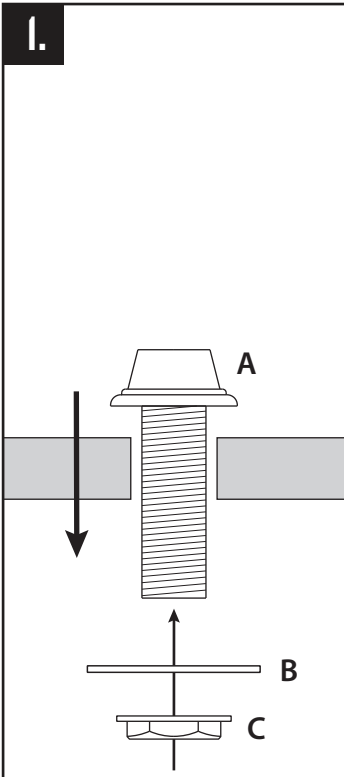


Adjustable Wrench

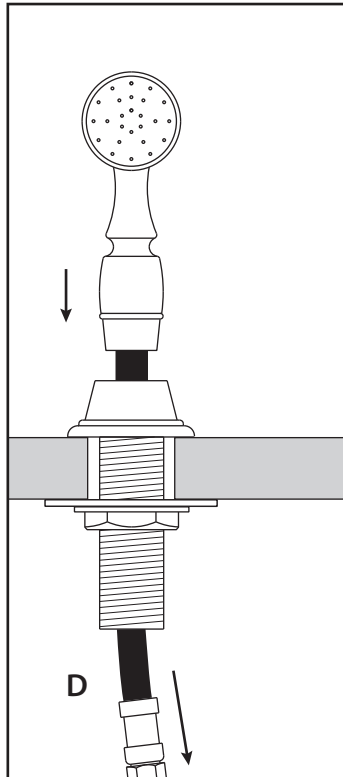


Channel Locks

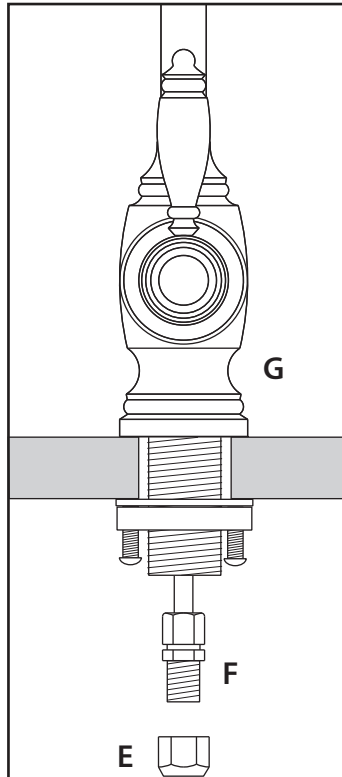
**I.**



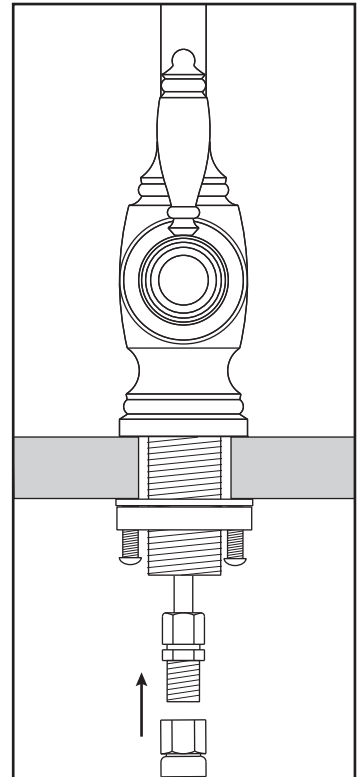
Insert side spray base (A) into side spray hole on your sink or counter. No plumbers putty is required. O-ring seals base. Slide washer (B), thread attaching nut (C) and securely tighten with channel locks.



Slide sidespray hose (D) through side spray base.



Use adjustable wrench to remove hose cap (E) from end of sidespray hose tube (F) on faucet (G).



Connect end of sidespray hose to sidespray hose tube. Use adjustable wrench to tighten. Turn water back on and check for leaks.