

# FILTRATION FAUCET INSTALLATION INSTRUCTIONS

**Model #s:**

1100  
1150  
1200  
1250  
1202  
1252  
1400  
1425  
1450  
1455  
1700  
1750  
1900



## BEFORE YOU BEGIN YOUR INSTALLATION:

1



Turn off water supply.

2



Observe all local plumbing codes.

3



Inspect waste and water supplies for signs of damage. Replace as necessary.

4



DO NOT use petroleum based products on this faucet.

### REQUIRED TOOLS:



1. Adjustable Wrench

### PARTS INCLUDED:

*\*XX represents finish*

COLD ONLY  
 HK-CFF-XX\*  
 COLD ONLY FILTRATION  
 HARDWARE KIT

HOT ONLY  
 HK-FBF-XX\*  
 HOT ONLY FILTRATION  
 HARDWARE KIT

HOT / COLD  
 HK-FBF-XX\*  
 HOT/COLD FILTRATION  
 HARDWARE KIT

## LIFETIME WARRANTY

All Waterstone products manufactured by Waterstone carry a **Limited Lifetime Guarantee** against functional defect in material or workmanship in a residential application. Consult with an authorized Waterstone dealer for complete information about our warranty.

**WARNING** - Since 2005, Waterstone has continued to advise all of our customers against the installation of any brand of in-line water chiller unit with our faucets. Compressor style chiller units have been proven to arbitrarily exceed the standard household in line pressure ratings causing the faucet inlet connection line to burst and create the potential for water damage claims in the field.

**USE OF AN IN-LINE INSTALLATION OF A WATER CHILLER WITH A WATERSTONE FAUCET OF ANY KIND WILL VOID OUR WARRANTY.**

Waterstone can not and will not be held liable for damages created by a use for which our products were not designed. Waterstone will only recommend the installation of a water chiller in the vented side (in place of a hot tank) with one of our Hot or Hot & Cold Filtration faucet models.

For any questions or concerns about your faucet's warranty, contact Waterstone.  
 1-888-304-0660  
 www.waterstoneco.com

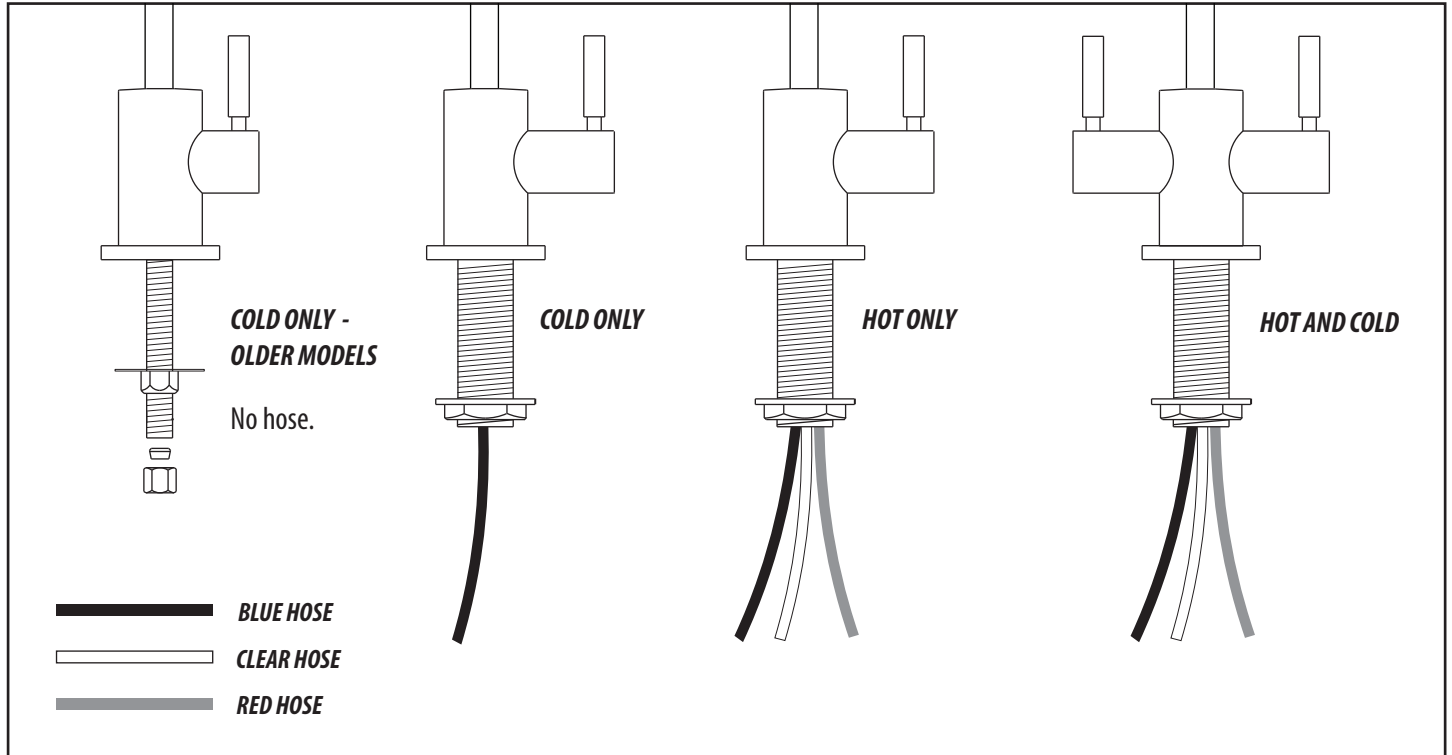
## UNDER SINK SYSTEMS

To complete your water filtration system, Waterstone recommends adding our Multi-Stage Filtration Unit and a Insta-Hot Tank. Along with your Waterstone Filtration Faucet, create the ultimate under sink water purification system. Systems are sold separately.

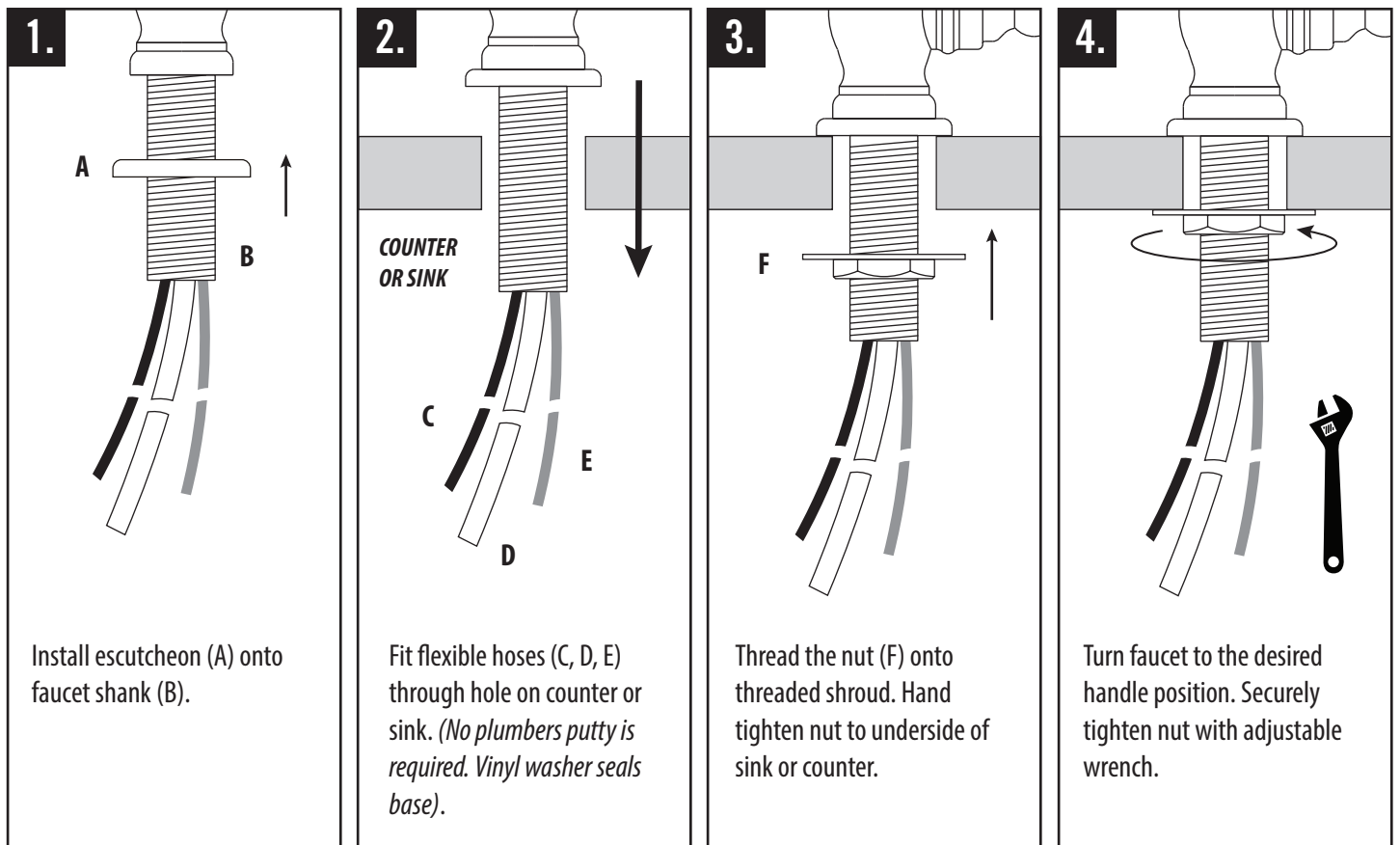


# HOSE CONFIGURATIONS

Waterstone offers three types of filtration faucets - Cold Only, Hot Only and Hot/Cold. Each model has its own unique hose configuration. The faucets can be connected to a water filtration system and/or an instant hot water tank.

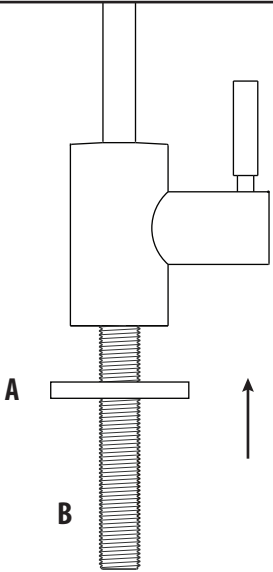


# FILTRATION FAUCET INSTALLATION



# COLD ONLY FILTRATION FAUCET INSTALLATION (OLDER MODELS)

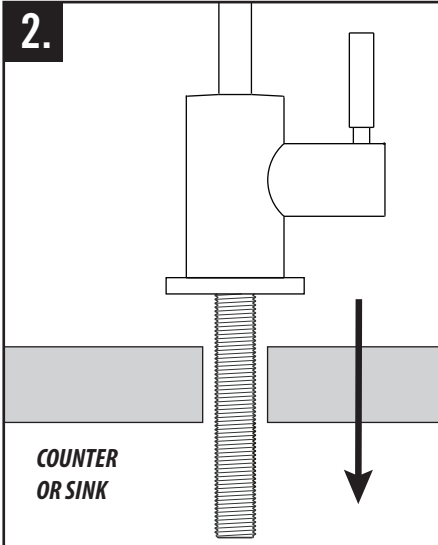
**1.**



A  
B

Slide escutcheon plate (A) onto threaded shroud (B) and up to base of faucet.

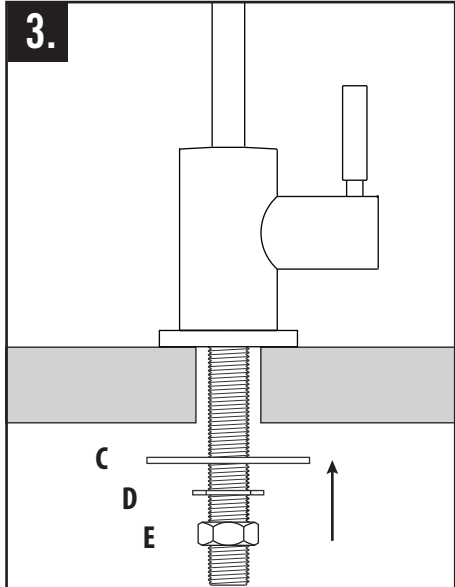
**2.**



COUNTER OR SINK

Fit faucet shank through hole on counter or sink. (No plumbers putty is required. Vinyl washer seals base).

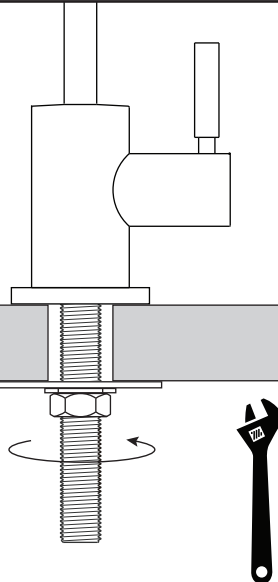
**3.**



C  
D  
E

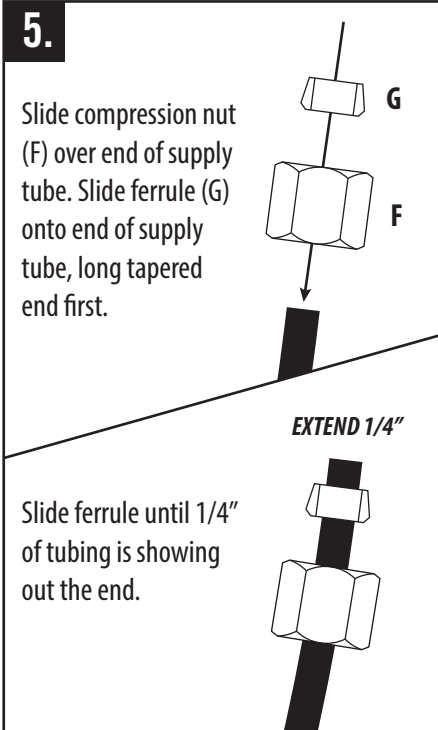
Slide large washer (C) and star lock washer (D) onto shank. Thread the nut (E) and hand tighten underside of sink or counter.

**4.**



Turn faucet to the desired handle position. Securely tighten nut with adjustable wrench.

**5.**



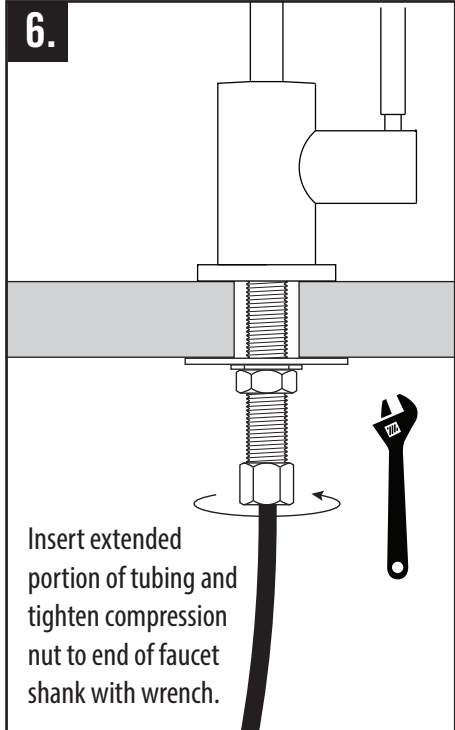
G  
F

Slide compression nut (F) over end of supply tube. Slide ferrule (G) onto end of supply tube, long tapered end first.

EXTEND 1/4"

Slide ferrule until 1/4" of tubing is showing out the end.

**6.**



Insert extended portion of tubing and tighten compression nut to end of faucet shank with wrench.