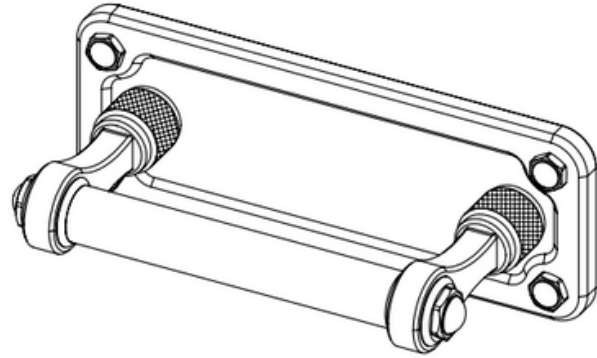


TOILET PAPER HOLDER

Model # AG307-1



BEFORE YOU BEGIN YOUR INSTALLATION:



Turn off water supply.



Observe all local plumbing codes.



Inspect plumbing for signs of damage. Replace as necessary.



DO NOT use petroleum based products on this faucet.

REQUIRED TOOLS AND MATERIALS:



Phillips Screwdriver



1 /4" Hex Key Wrench



Adjustable Wrench



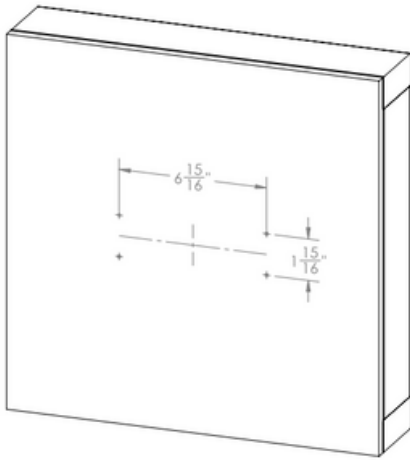
Drill

WARNING: Cancer and reproductive harm -see www.P65Warnings.ca.gov

IMPORTANT

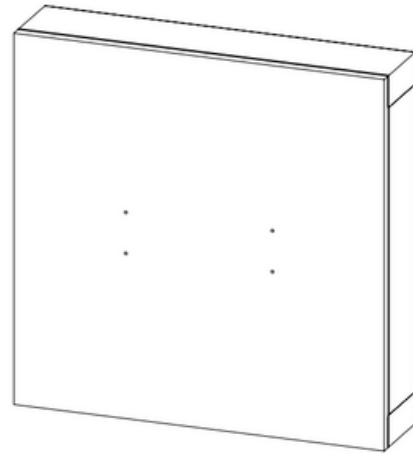
- Read these instructions and plan the installation before beginning.
- Risk of product damage. Do not apply direct heat to the valve. Excessive heat will damage the plastic components and plaster guard. •A mixed water supply is required for this product.
- Component location, spacing, and situational requirements can vary.

1



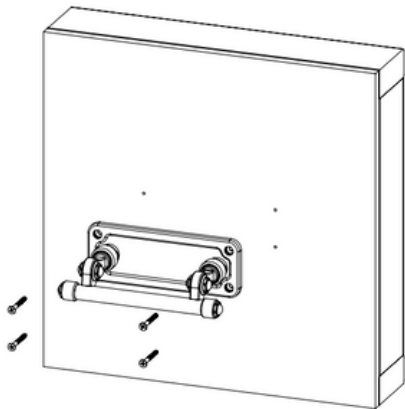
Determine desired location of the toilet paper holder.
Mark the four mounting holes in.

2



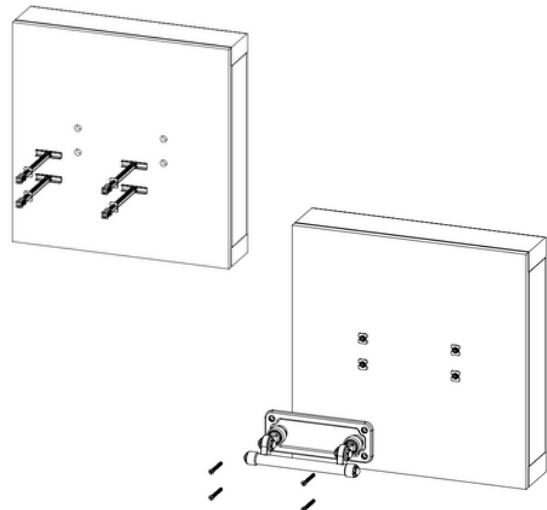
Predrill the marked holes with a 1/8" bit.

3A



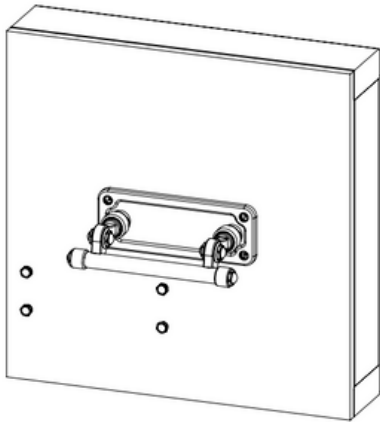
Using the provided wood screws, securely mount the toilet paper holder to the wall.

3B



If there is no stud to mount to, drill a 1/2" hole to push the supplied toggle through. Once the toggle is through the wall slide the cap down the straps until it is flush with the finish wall. Snap off the excess from the straps.

4



Once the Toilet paper holder is fastened to the wall. Install the 4 deco nuts. (Hand tight only)



1-888-304-0660 • 951-304-0520

www.waterstoneco.com