

ARGONAUT

by  WATERSTONE
FAUCETS

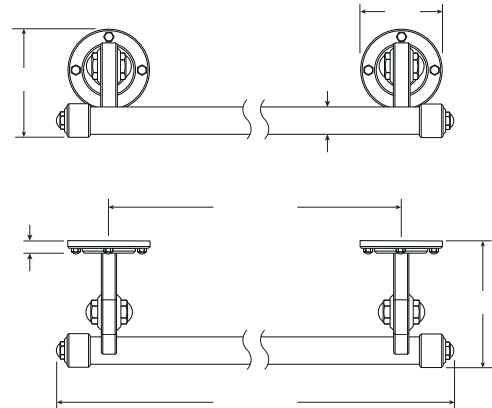
Tower Bars

MODEL AG308-1, AG318-1,
AG324-1, AG330-1




The Argonaut collection from Waterstone is a new line of bath and shower faucets designed and manufactured in Southern California. Waterstone is world-renowned for its unique and distinctive kitchen faucets.

We have now adapted the same creativity and craftsmanship to fixtures for the bath. Inspired by our Nautical roots, Argonaut sets out to inspire and exact an emotional feeling with our customers. Waterstone's craftsmanship and durability are guaranteed through our lifetime warranty.

- Extends 3-1/2" from wall.
- Available in 8", 18", 24" or 30" wide.
- Includes heavy-duty snap toggle mounting system for drywall and screws for wood doors or panels.
- Available in 6 designer finishes: CD, CH, MB, PN, SN, UPB & split finish.
- Diamond cut knurling accents.
- Machined from solid brass in Murrieta, CA.



Tag Us on Social Media

-  [facebook.com/waterstonefaucets](https://www.facebook.com/waterstonefaucets)
-  [@waterstone_faucets](https://www.instagram.com/waterstone_faucets)
-  [linkedin.com/company/waterstone-faucets-official](https://www.linkedin.com/company/waterstone-faucets-official)



waterstoneco.com

Split Finishes

Faucet can be split using any combination of the standard finishes listed below. For pricing add 10% to the higher list price of the 2 finishes.

Group 1

- Chrome - CH

Group 2

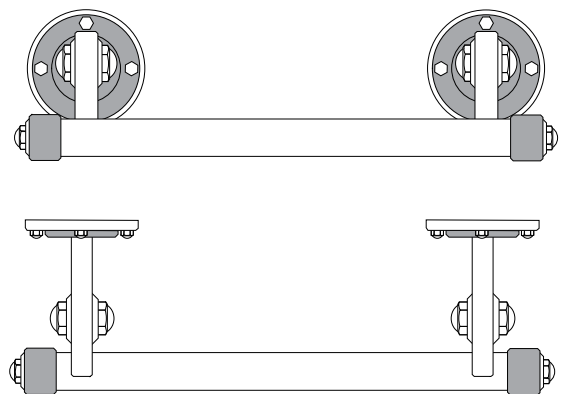
- Chardonnay - CD
- Matte Black - MB
- Polished Nickel - PN
- Satin Nickel - SN
- Unlacquered Polished Brass - UPB

HOW TO DESIGNATE A SPLIT FINISH FAUCET WHEN ORDERING

Take the model number and add both finishes to the suffix starting with the Primary finish followed by the Accent finish. For Matte Black (MB) and Chardonnay (CD), it would be AG254-1-MB_CD. If you wanted Chardonnay (CD) and Polished Nickel (PN) it would be AG254-1-CD_PN. For all split finish designs click "Split Finishes" in the top menu of our home page on www.waterstoneco.com



□ White = Primary finish
■ Gray = Accent finish



AG308-1, AG318-1, AG324-1, AG330-1