

ARGONAUT

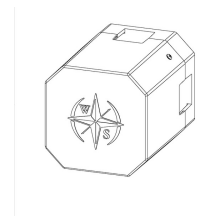
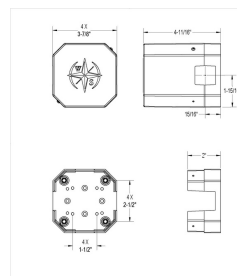
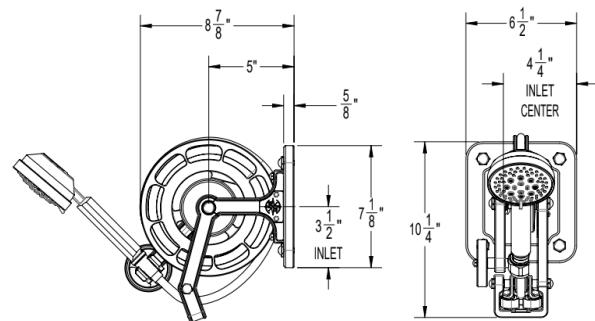
by  WATERSTONE
FAUCETS

Retractable Wheel System w/ Hand Shower Model: AG254-1

The Argonaut collection from Waterstone is a new line of bath and shower faucets designed and manufactured in Southern California. Waterstone is world-renowned for its unique and distinctive kitchen faucets.




We have now adapted the same creativity and craftsmanship to fixtures for the bath. Inspired by our Nautical roots, Argonaut sets out to inspire and exact an emotional feeling with our customers. Waterstone's craftsmanship and durability are guaranteed through our lifetime warranty.

- Rough-in 10122 required (sold separately).
- Wheel spring technology allows the hand shower to be extracted from the holder with ease.
- Hand shower hose locks in place when deployed, then auto retracts with a gentle tug.
- Hand shower can be adjusted up and down to the desired spray angle.
- Hand shower rotates for a smooth transition between spray options.
- 3 individual spray options - firm, massage, or soft aerated spray.
- 68" hose length.
- 4" wide spray face.
- 1.75 gpm flow rate.
- Available in 6 designer finishes: CD, CH, MB, PN, SN, UPB & split finish.
- Diamond cut knurling accents.
- Machined from solid brass and stainless steel in Murrieta, CA.



ROUGH-IN 10122 REQUIRED SOLD SEPARATELY

Tag Us on Social Media

-  [facebook.com/waterstonefaucets](https://www.facebook.com/waterstonefaucets)
-  [@waterstone_faucets](https://www.instagram.com/waterstone_faucets)
-  [linkedin.com/company/waterstone-faucets-official](https://www.linkedin.com/company/waterstone-faucets-official)



waterstoneco.com

Split Finishes

Faucet can be split using any combination of the standard finishes listed below. For pricing add 10% to the higher list price of the 2 finishes.

Group 1

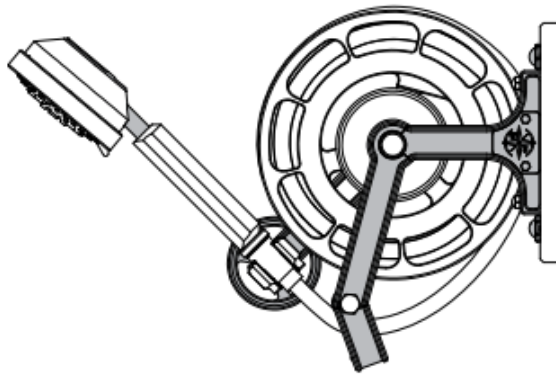
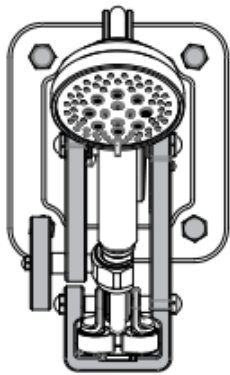
- Chrome - CH

Group 2

- Chardonnay - CD
- Matte Black - MB
- Polished Nickel - PN
- Satin Nickel - SN
- Unlacquered Polished Brass - UPB

HOW TO DESIGNATE A SPLIT FINISH FAUCET WHEN ORDERING

Take the model number and add both finishes to the suffix starting with the Primary finish followed by the Accent finish. For Matte Black (MB) and Chardonnay (CD), it would be AG254-1-MB_CD. If you wanted Chardonnay (CD) and Polished Nickel (PN) it would be AG254-1-CD_PN. For all split finish designs click "Split Finishes" in the top menu of our home page on www.waterstoneco.com



- White = Primary finish
- Gray = Accent finish

