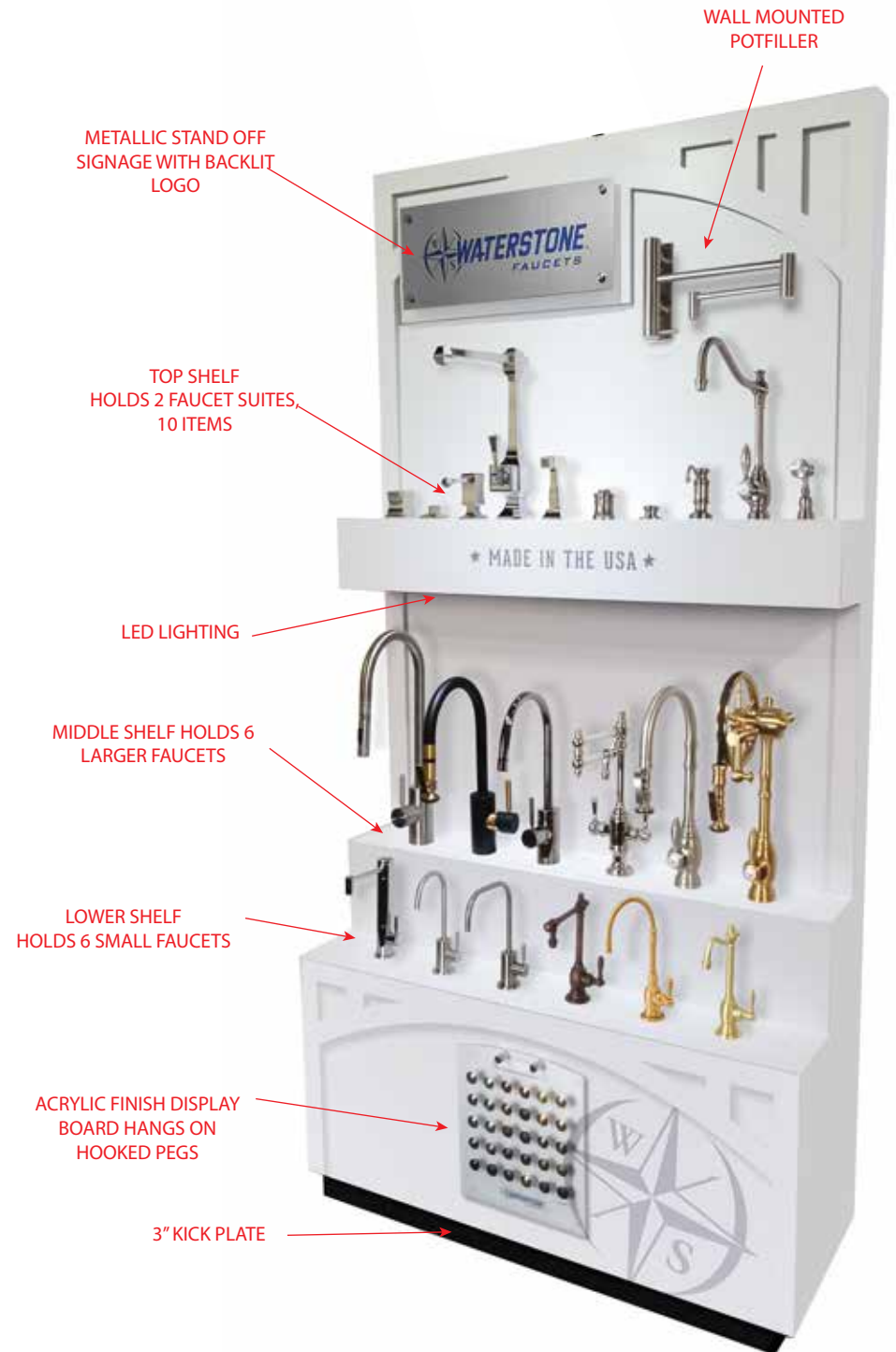
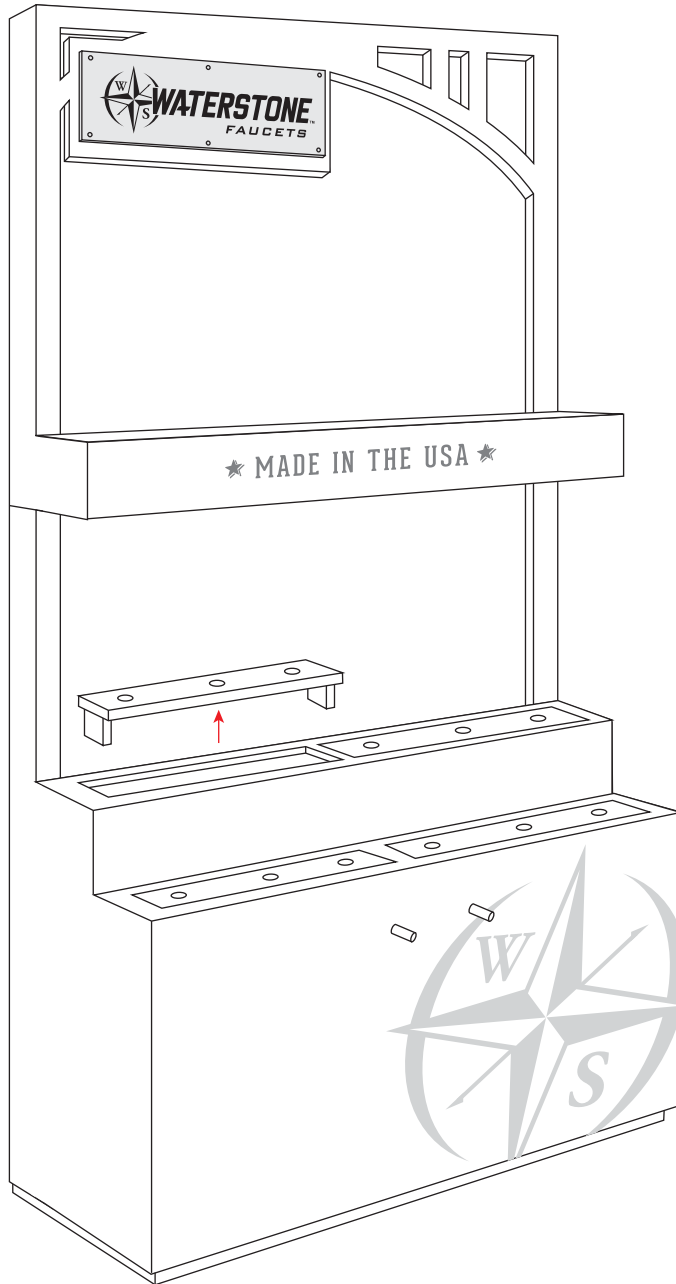


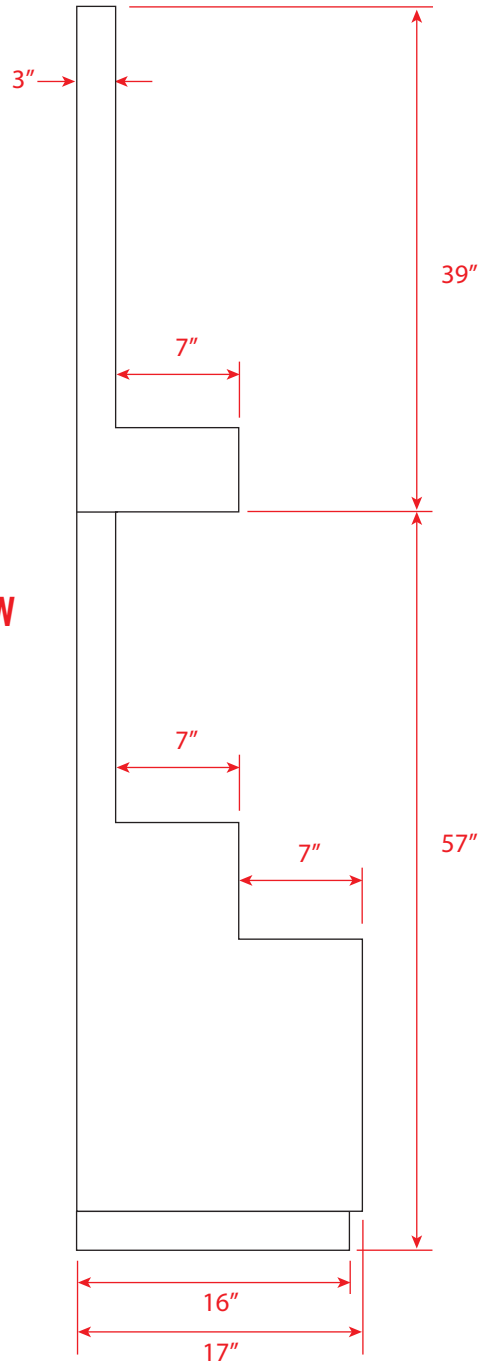
**WATERSTONE FAUCETS 4'X8' WALL DISPLAY**



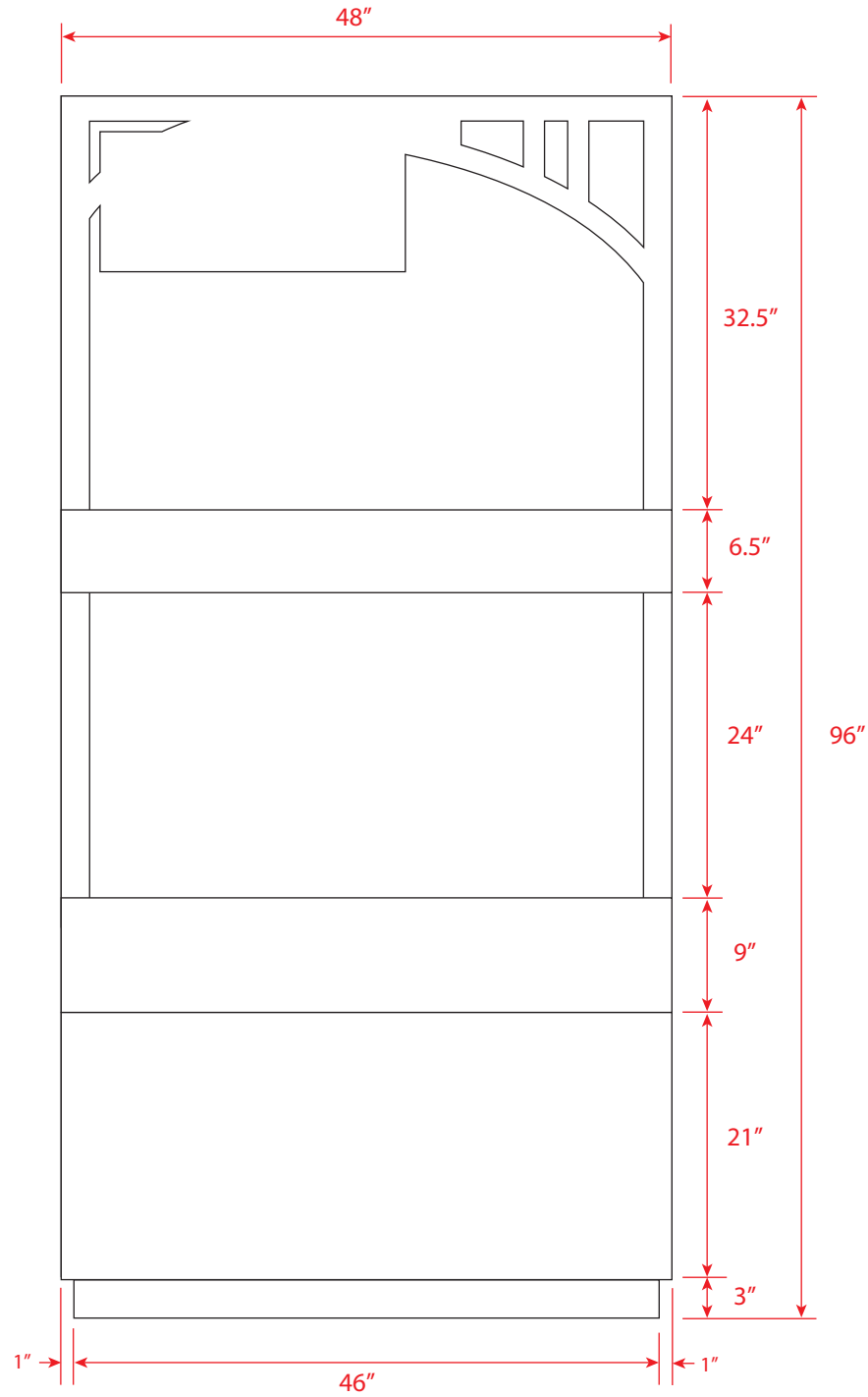


# 4'X8' WALL DISPLAY

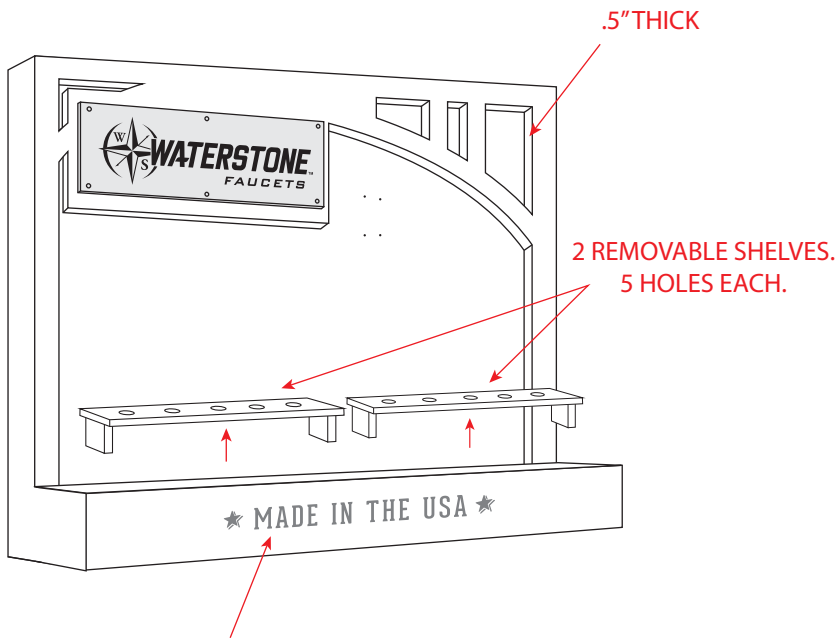
**SIDE VIEW**



**FRONT VIEW**



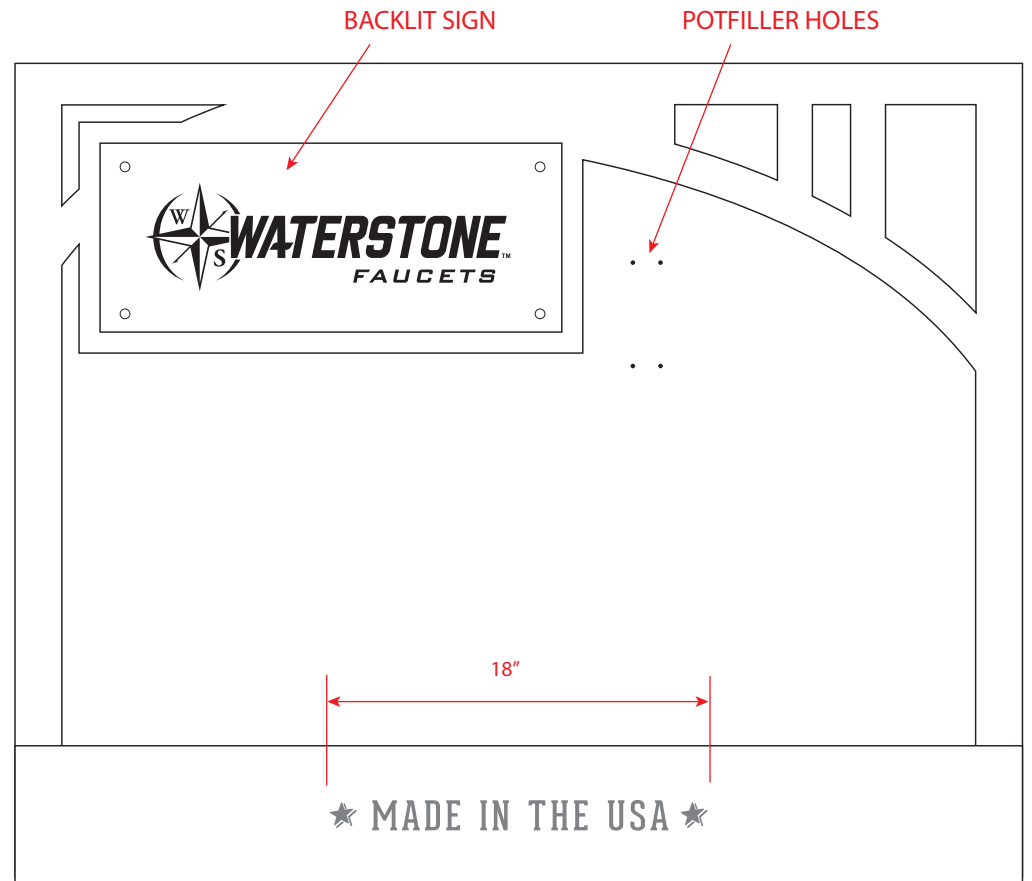
**TOP HALF**



MADE IN THE USA GRAPHIC.  
18" WIDE, 40% BLACK OR COOL GRAY 4.  
CENTERED ON MIDDLE SHELF.

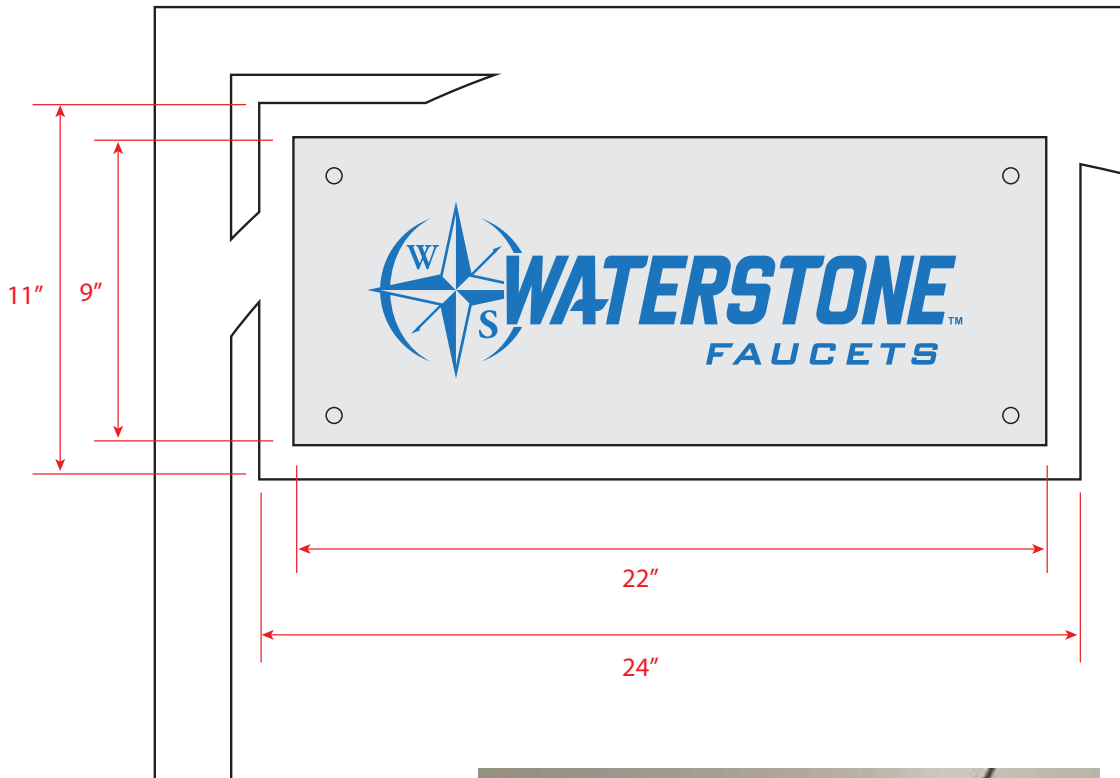


MIDDLE SHELF INSIDE VIEW.  
BOTTOM SHOULD BE ENCLOSED  
TO HIDE HOSES.



LED LIGHTS

**TOP HALF - BACKLIT SIGN**



STAND OFF WITH POSTS

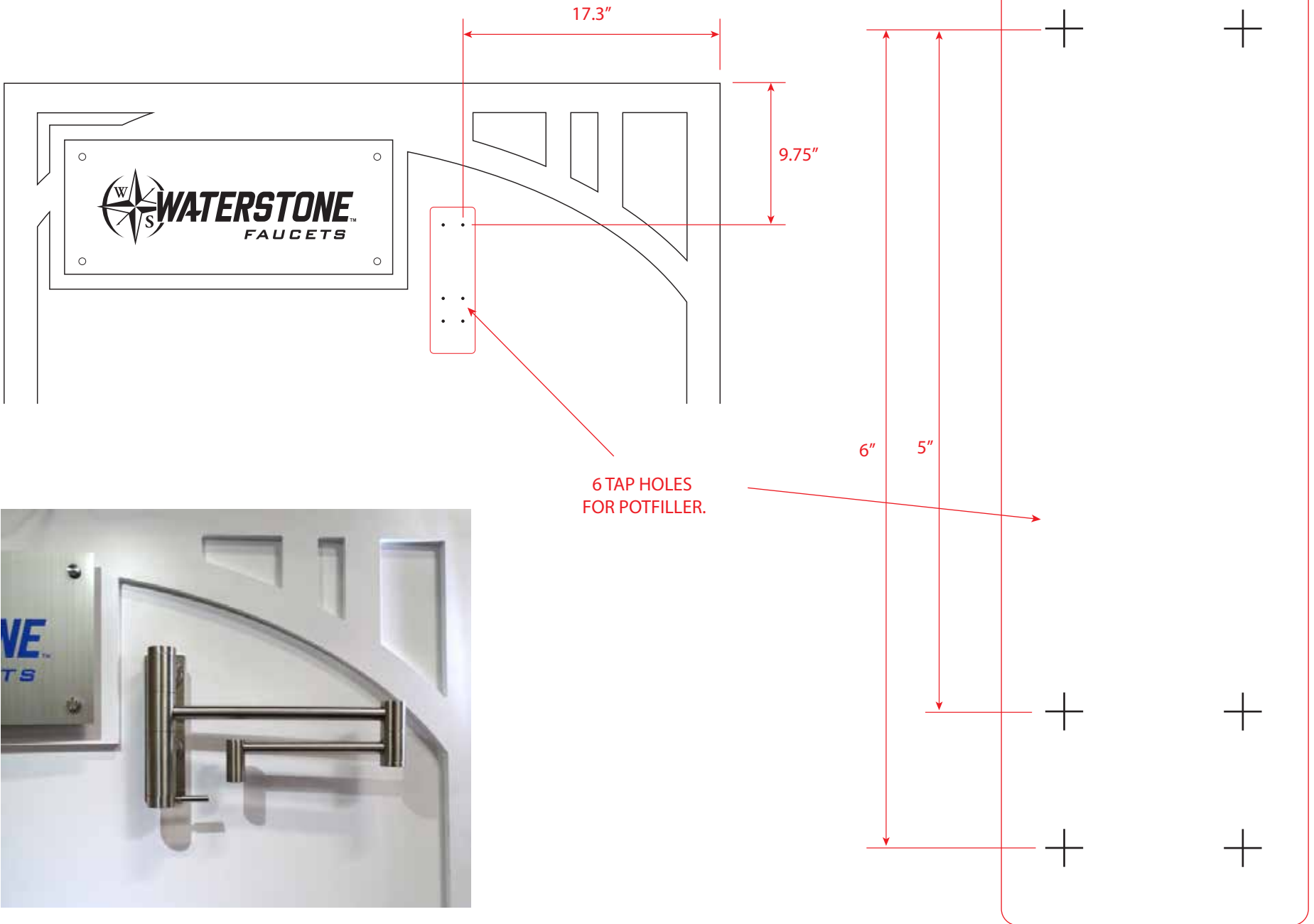


BRUSHED ALUMINUM



RAISED LETTERING AND BACK LIGHT THE LOGO.

**TOP HALF - POTFILLER MOUNT**

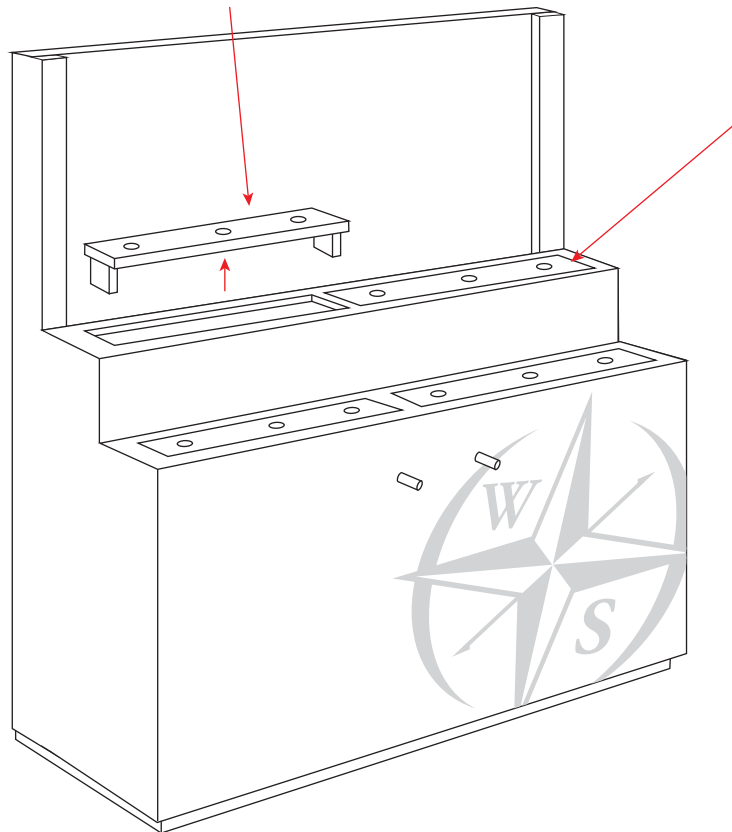


## BOTTOM HALF

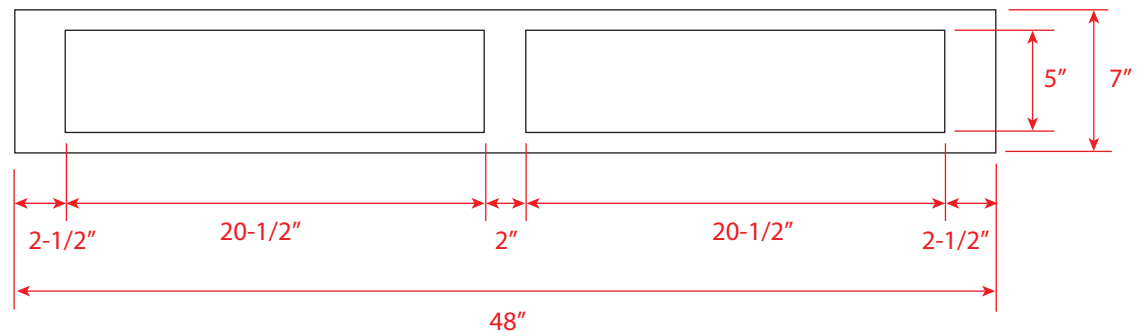


REMOVABLE SHELVES NEED TO BE SECURE SO FAUCETS DO NOT ROCK OR COME OUT.

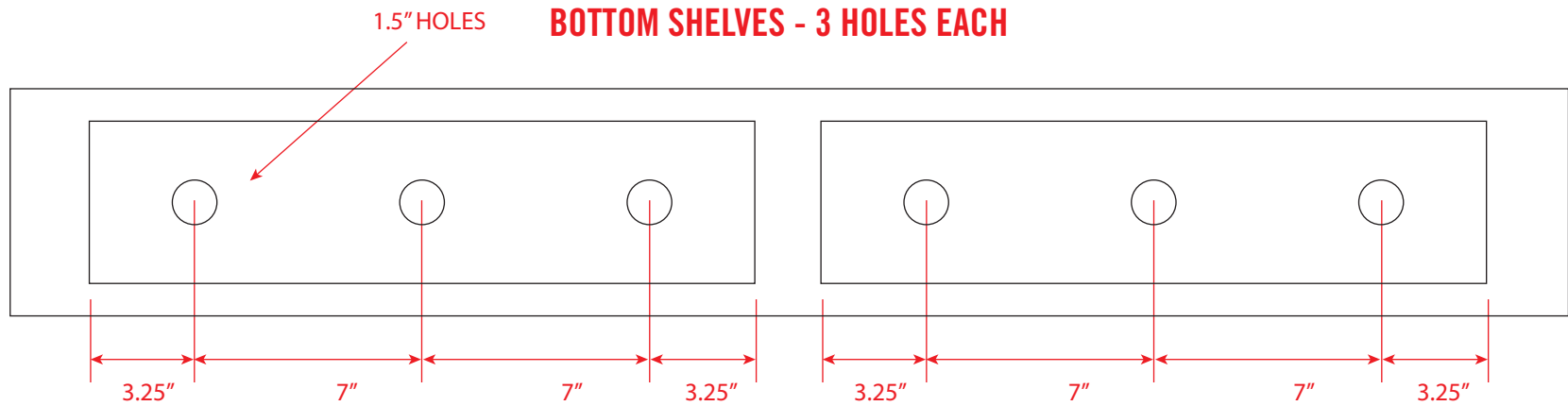
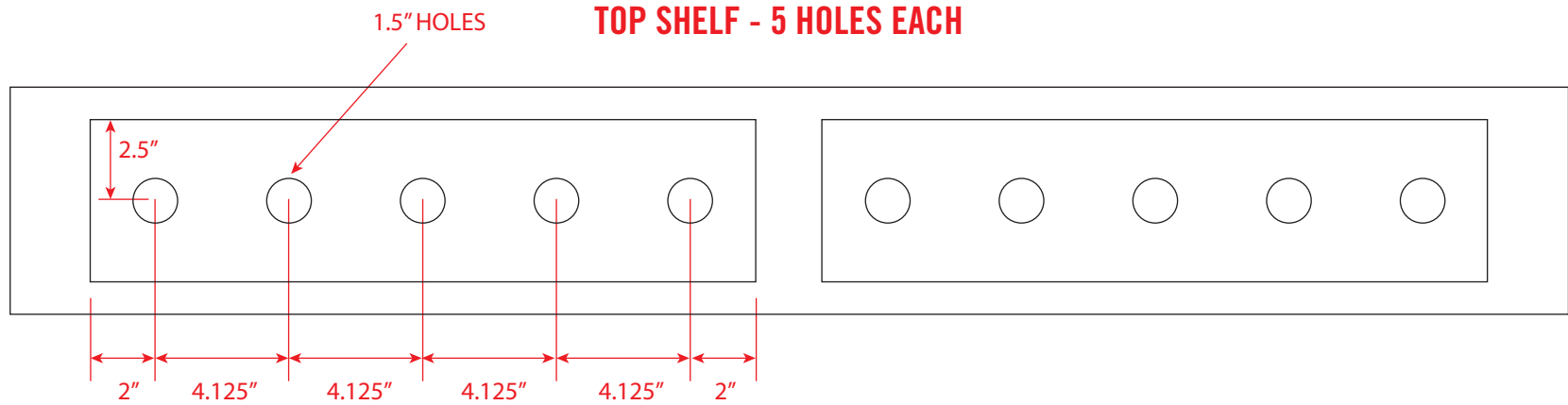
4 REMOVABLE SHELVES.  
3 HOLES EACH.



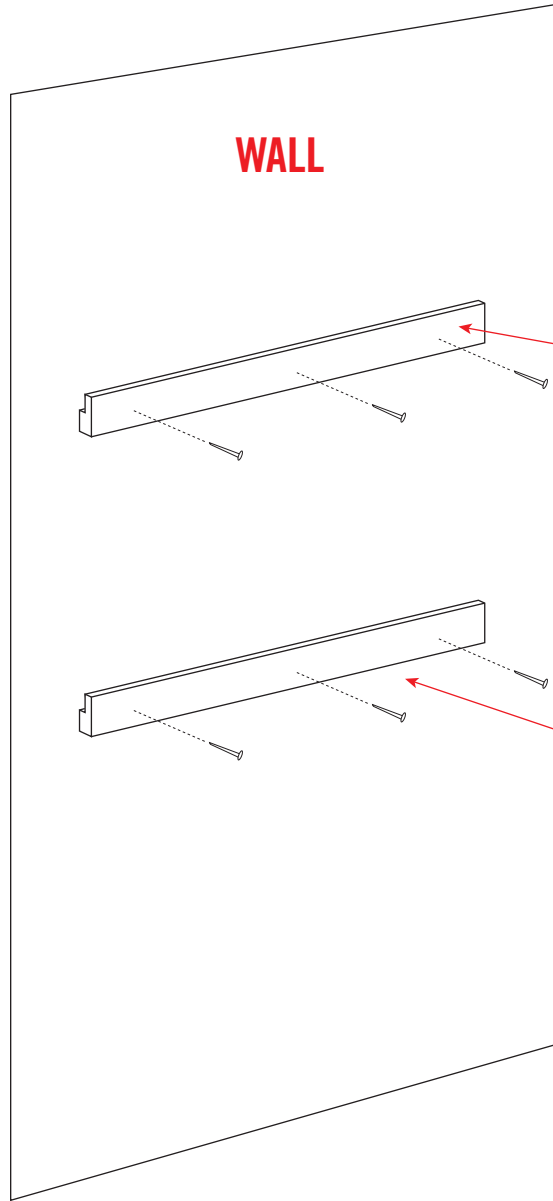
## TOP VIEW



## SHELF HOLE CONFIGURATIONS



# INSTALLATION



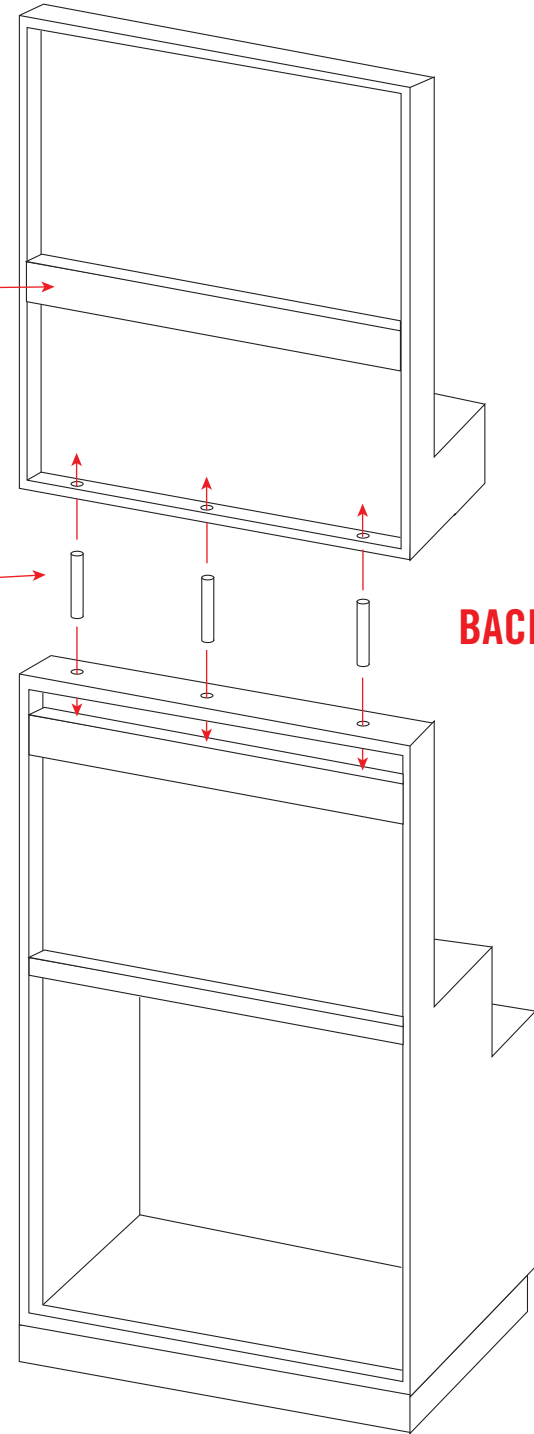
BOTTOM HALF LIFTS AND SLIDES INTO WALL CLEAT. TOP HALF LIFTS, INSERT DOWELS TO BOTTOM HALF THEN SLIDES INTO TOP CLEAT.



CLEAT

DOWELS TO HOLD TOP AND BOTTOM IN PLACE

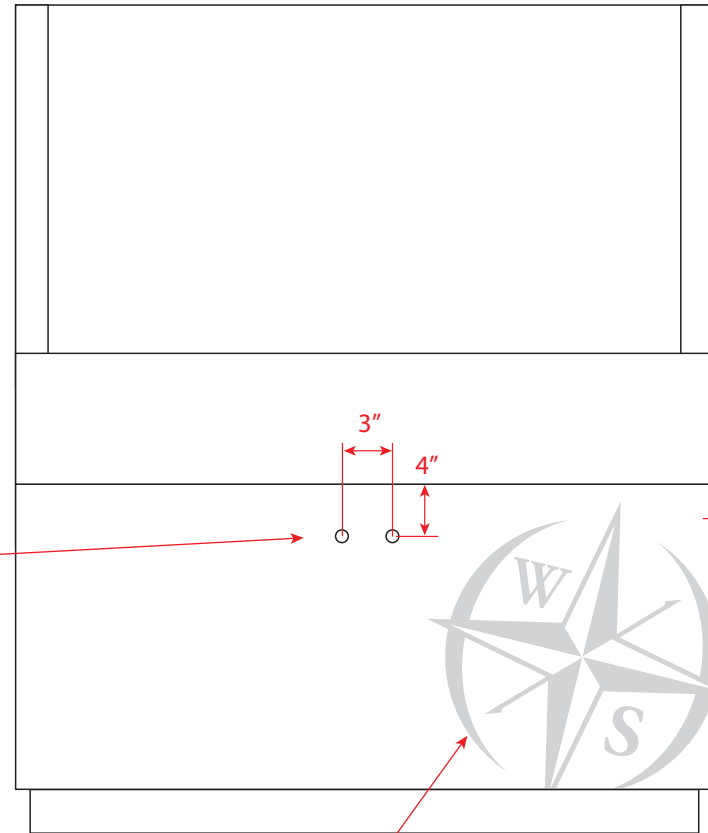
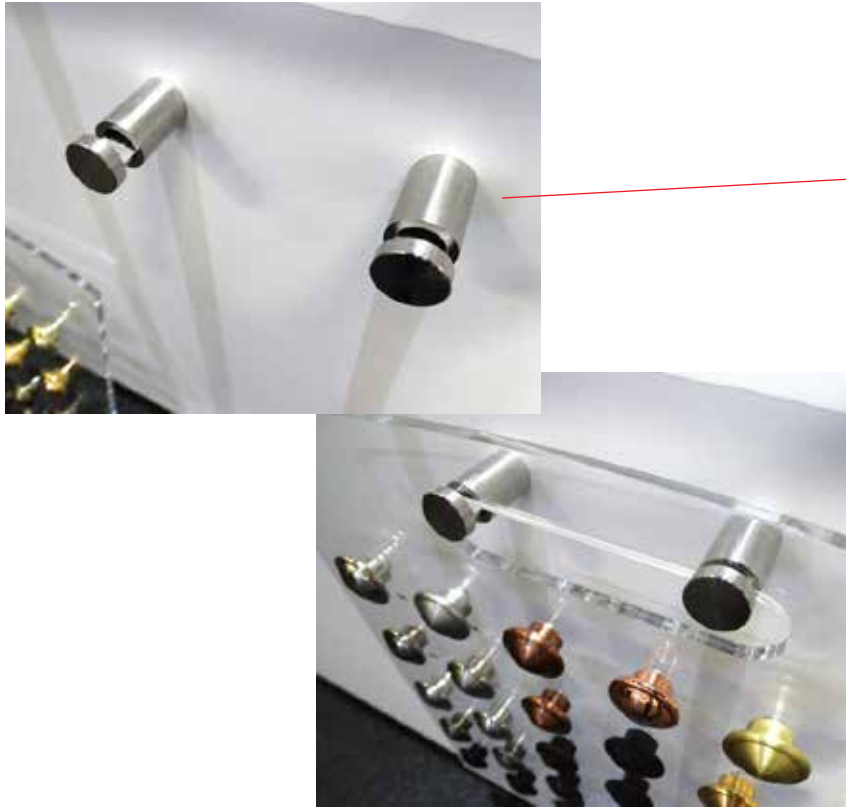
CLEATS MOUNT TO SLATWALL OR DRYWALL





## BOTTOM HALF

NEED TWO HOOK POSTS TO HANG  
FINISH DISPLAY BOARD



WATERSTONE COMPASS GRAPHIC SHOULD BE POSITIONED AS SHOWN.  
20% BLACK OR COOL GRAY 2.

