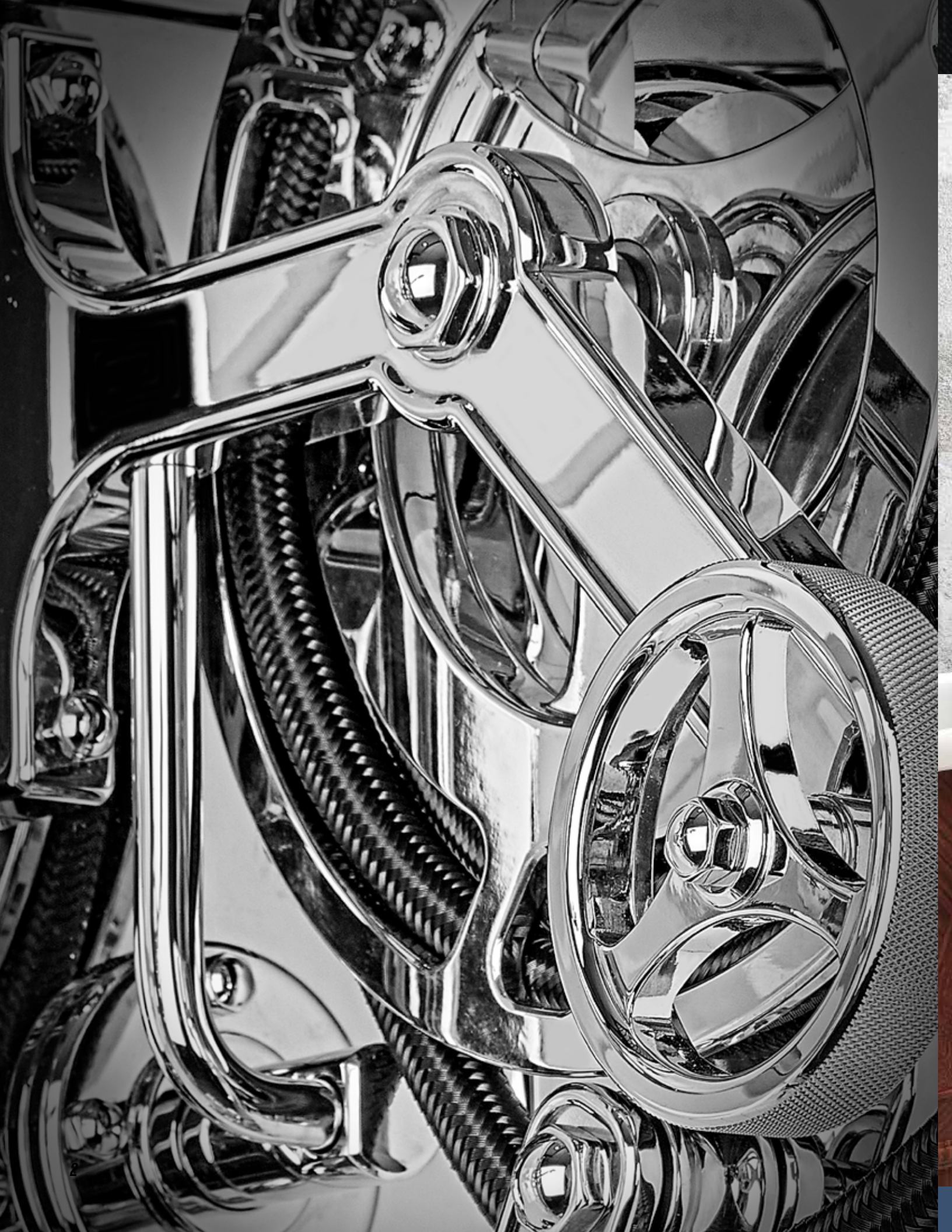


THE ARGONAUT BATH SUITE



2023 RETAIL PRICING







INTRODUCING THE NEW WATERSTONE ARGONAUT BATH SUITE

Waterstone has excelled in the luxury kitchen faucet industry for over 20 years. Our commitment to innovation and developing superior quality, high-end faucet products is unprecedented. We now bring that innovative spirit and begin our voyage into the bathroom. We are proud to introduce the latest blend of art and technology - The Argonaut Bath Suite. A collection of bath products that caters to a niche of homeowners that seek the spirit of adventure.

Waterstone President Chris Kuran and the engineering design team have developed a premium bath line reminiscent of a industrial age ocean liner. A design inspired by the levers, pressure gauges, valves and hatch doors deep down in the engine room. Intricate knurling, raised rounded edges and mechanical bolts give off a nautical industrial feel. The Argonaut is a tribute to American ingenuity and will enhance the look of any modern bathroom.

The Argonaut collection consists of shower, tub, sink and wall components. Each is made from eco-friendly brass, available in six classic finishes and come with a limited lifetime warranty. And, like all Waterstone products, it's made in the USA.



2022 RETAIL PRICING

TABLE OF CONTENTS

QUICK REFERENCE PRICING	PAGE
Prices Listed by Model Number.....	5
SPLIT FINISHES	
How to Order.....	6
Split Finish Diagrams.....	7-9
SHOWER	
Retractable Wheel System w/ Hand Shower	10
Wall Mount Shower Head	11
Thermostatic Shower Trim w/ Volume Control	12
Diverter Trim.....	13
Slide Bar Hand Shower.....	14
TUB	
Freestanding Tub Filler w/ Hand Shower	15
Deck Mount Tub Filler w/ Hand Shower	16
Deck Mount Tub Filler	17
Wall Mount Tub Filler w/ Back Plate.....	18
LAVATORY	
Lavatory Faucet and Push Drain.....	19
ACCESSORIES	
Towel Bars	20
Toilet Paper Holder	21
Single Robe Hook.....	22
Double Robe Hook.....	22
ROUGH-IN VALVES	
Thermostatic Shower Valve (for 10101).....	23
Diverter Control (for 10105).....	23
Freestanding Tub Valve (for 10110).....	24
Deck Mount Tub Valve (for 10111, 10111A).....	24
POLICIES	
UMRP	25-26
Terms and Conditions.....	27
Lifetime Functional Warranty.....	28
Order Fulfillment Policy.....	29
Drop Ship Policy.....	29
FINISHES	
Finish Warranties.....	30

PRICING BY MODEL

MODEL	NAME	GRP 1	GRP 2	ROUGH
10100	LAVATORY FAUCET AND PUSH DRAIN W/ OVERFLOW	3308	3555	
10100A	LAVATORY FAUCET AND PUSH DRAIN W/O OVERFLOW	3308	3555	
10101	THERMOSTATIC SHOWER TRIM W/ BUILT-IN VOLUME CONTROL (REQUIRES 10120 ROUGH-IN)	6341	7560	
10120	THERMOSTATIC SHOWER VALVE (ROUGH-IN FOR 10101)			503
10103	RETRACTABLE WHEEL SYSTEM W/ HAND SHOWER	10350	11565	
10105	DIVERTER TRIM (REQUIRES 10121 ROUGH-IN)	2619	3195	
10121	DIVERTER CONTROL VALVE (ROUGH-IN FOR 10105)			350
10106	WALL MOUNT TUB SPOUT W/ BACK PLATE	3465	3722	
10107	SLIDE BAR HAND SHOWER	7088	7448	
10108	WALL MOUNT SHOWER HEAD W/ BACK PLATE	3555	3893	
10110	FREESTANDING TUB FILLER W/ HAND SHOWER (REQUIRES 10123 ROUGH-IN)	11700	13995	
10123	FREESTANDING TUB VALVE (ROUGH-IN FOR 10110)			526
10111	DECK MOUNT TUB FILLER W/ HAND SHOWER (REQUIRES 10124 ROUGH-IN)	8640	9653	
10111A	DECK MOUNT TUB FILLER (REQUIRES 10124 ROUGH-IN)	6323	7065	
10124	DECK MOUNT TUB VALVE (ROUGH-IN FOR 10111, 10111A)			375
10112	LAVATORY PUSH DRAIN W/ OVERFLOW	475	550	
10113	LAVATORY PUSH DRAIN W/O OVERFLOW	435	510	
10150	SINGLE ROBE HOOK	1041	1148	
10155	DOUBLE ROBE HOOK	1126	1241	
10160	TOILET PAPER HOLDER	1573	1815	
10165	8" TOWEL BAR	1636	1798	
10170	18" TOWEL BAR	1870	2061	
10175	24" TOWEL BAR	2083	2291	
10180	30" TOWEL BAR	2253	2478	

**All Argonaut Bath Suite products are available in 6 Finishes:
 Chrome, Classic Bronze, Matte Black, Polished Nickel, Satin Nickel and Unlacquered Polished Brass**

FINISH GROUP 1: CH
FINISH GROUP 2: CLZ, MB, PN, SN, UPB

ORDERING A SPLIT FINISH MADE EASY

Split Finish sales are final and cannot be returned, altered, or canceled once submitted.

Prior to ordering please contact customer service at wscustomerpo@waterstoneco.com and request the sign off sheet for your model. The sign off sheet must be signed and dated and returned with your order.

WATERSTONE DESIGNED STANDARD SPLIT FINISHES

(Standard lead times apply)

Faucet can be split using any combination of the standard finishes listed below. For pricing add 10% to the higher list price of the 2 finishes.

Chrome - CH

Classic Bronze - CLZ

Matte Black - MB

Polished Nickel - PN

Satin Nickel - SN

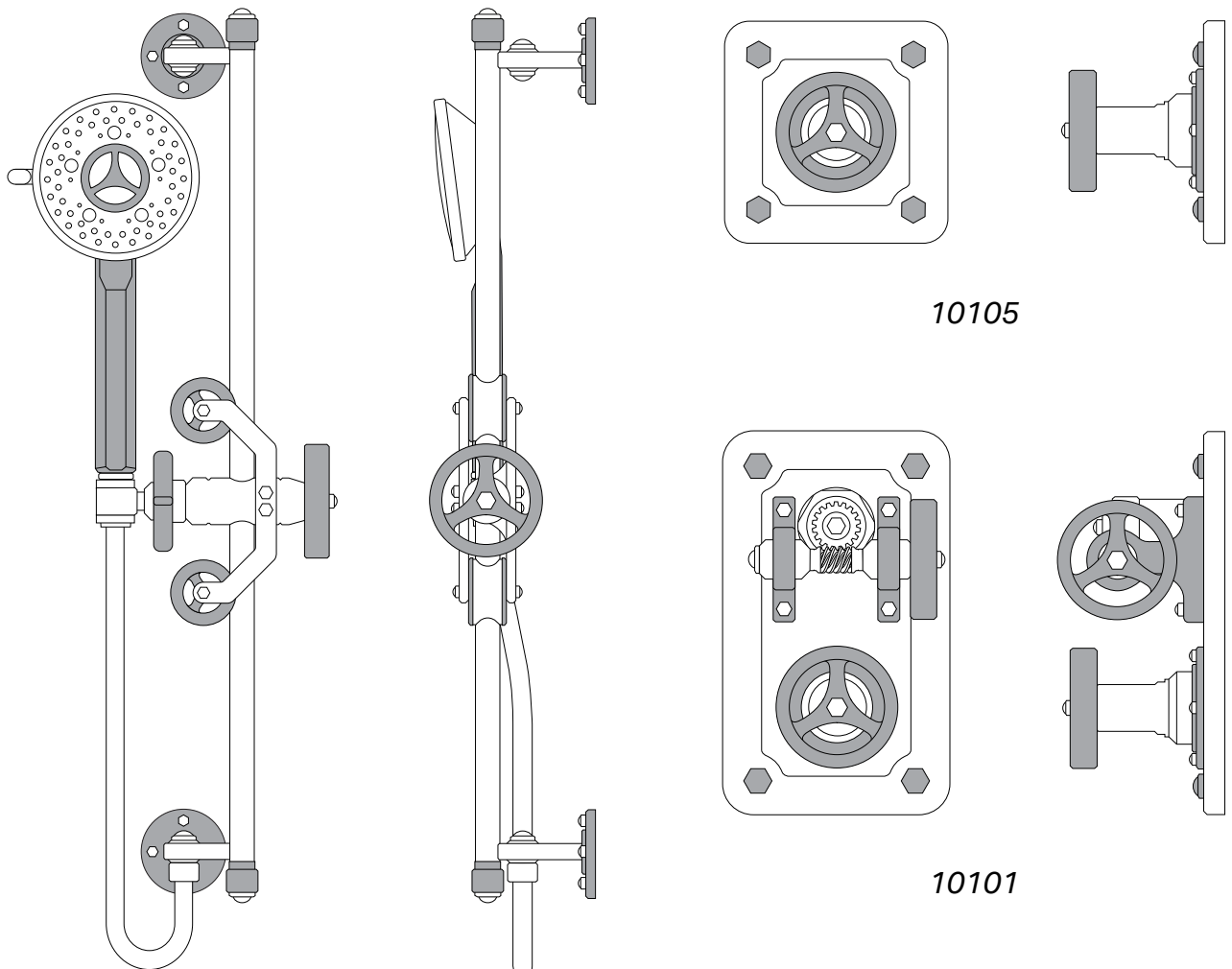
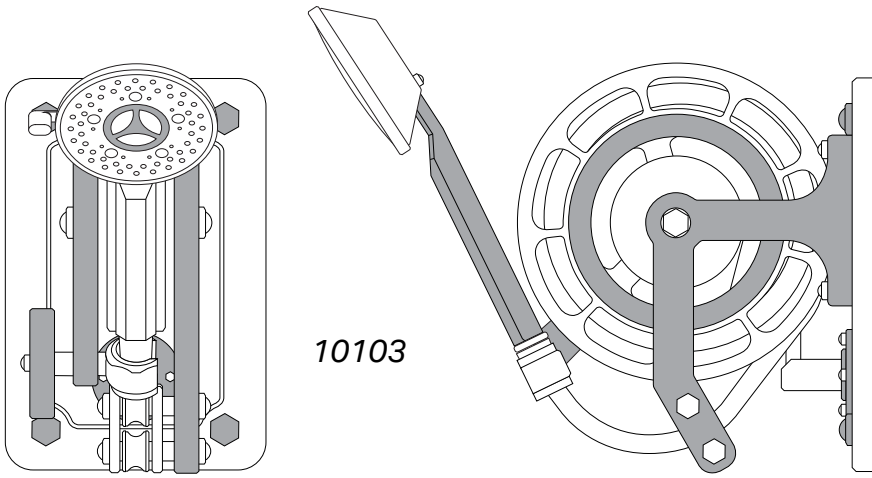
Unlacquered Polished Brass - UPB



HOW TO DESIGNATE A SPLIT FINISH FAUCET WHEN ORDERING

Take the model number and add both finishes to the suffix starting with the **Primary finish** followed by the **Accent finish**. For Matte Black (MB) and Classic Bronze (CLZ), it would be **10103-MB_CLZ**. If you wanted Classic Bronze (CLZ) and Polished Nickel (PN) it would be **10103-CLZ_PN**. For all split finish designs click "Split Finishes" in the top menu of our home page on www.waterstoneco.com

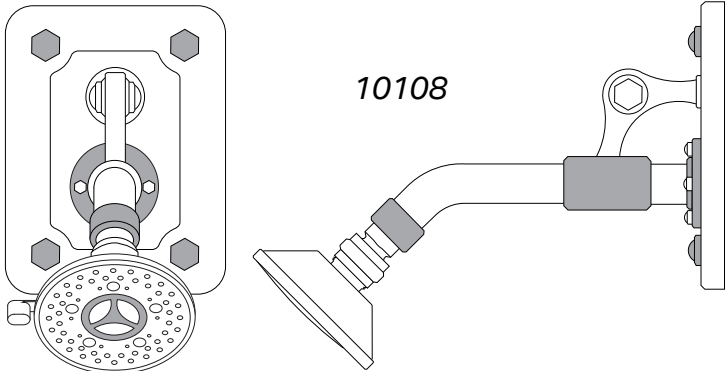
SHOWER



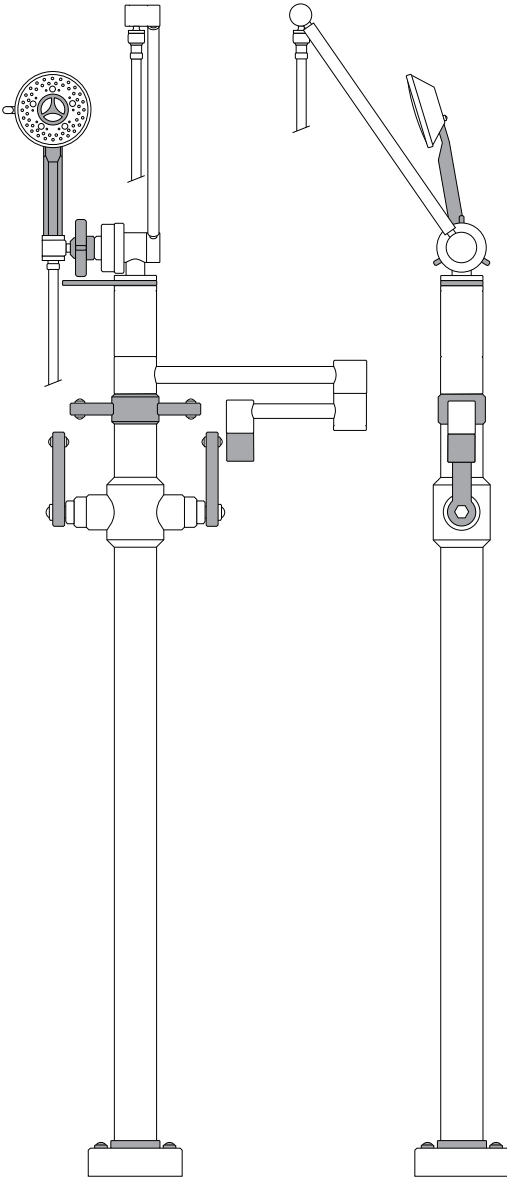
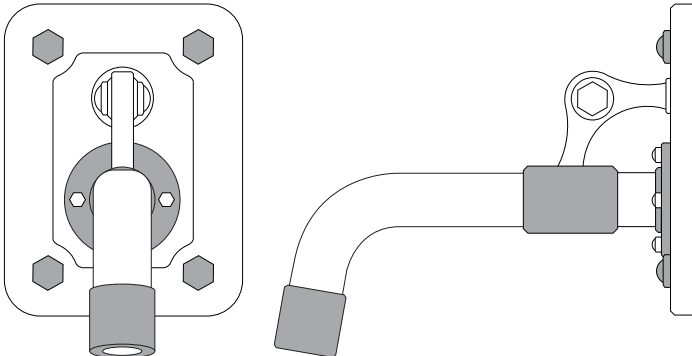
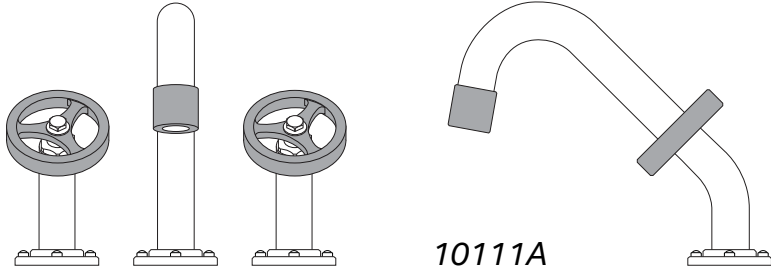
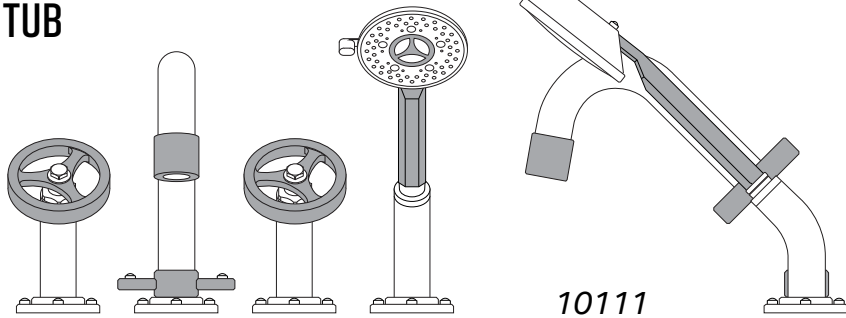
10107

SPLIT FINISH DIAGRAMS

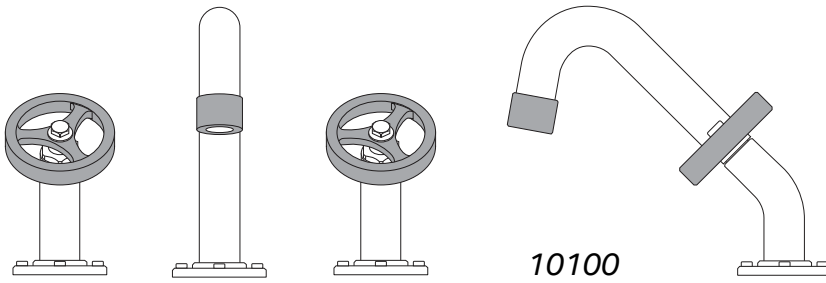
SHOWER



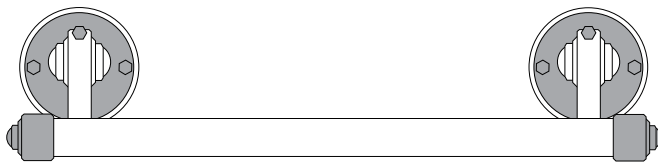
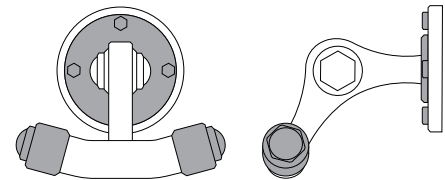
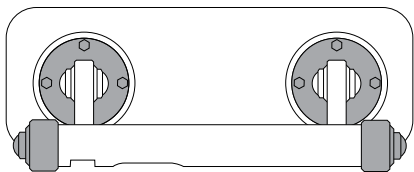
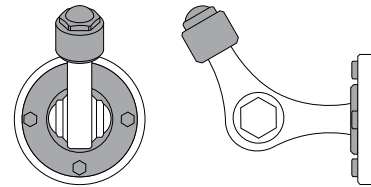
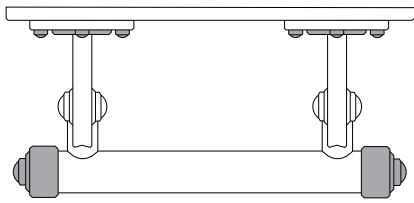
TUB



LAVATORY FAUCET



ACCESSORIES



RETRACTABLE WHEEL SYSTEM W/ HAND SHOWER

LIST PRICES:

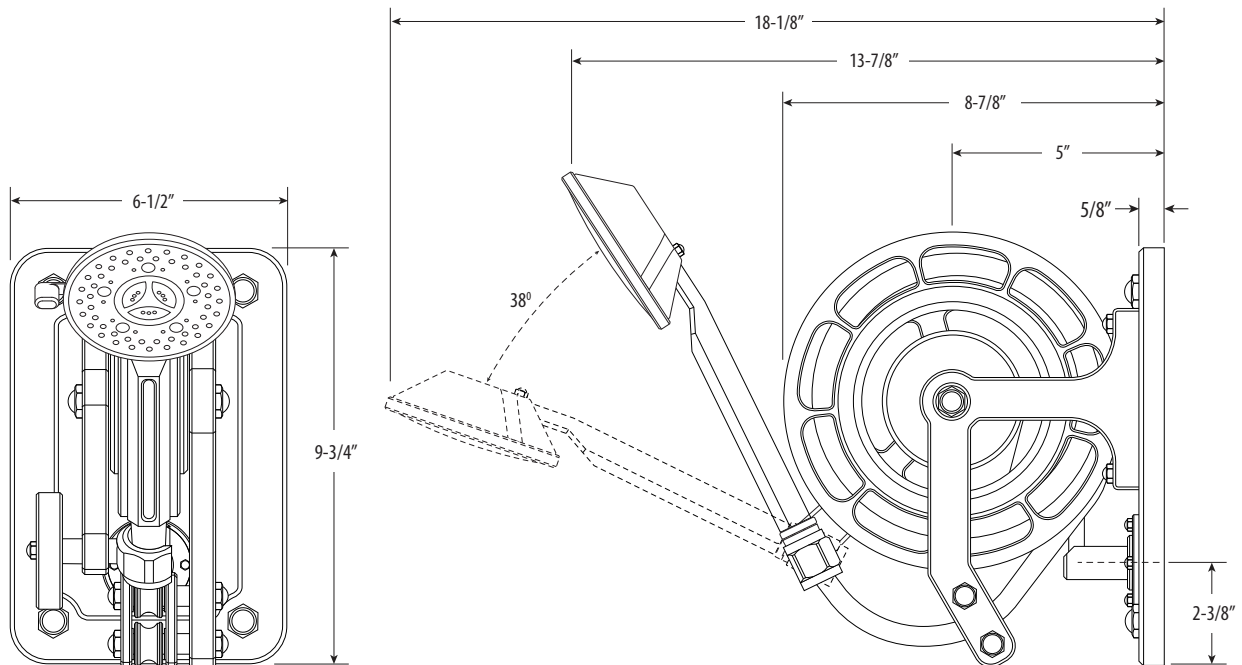
MODEL #	GRP 1	GRP 2
10103	10350	11565

FEATURES:

- Wheel spring technology allows the hand shower to be extracted from holder with ease.
- Hand shower hose locks in place when deployed, then auto retracts with a gentle tug.
- 68" hose length.
- 4" wide spray face.
- 1.75 gpm flow rate.
- Hand shower can be adjusted up and down to desired spray angle.
- Hand shower includes thumb tab for a smooth transition between spray options.
- 3 individual spray options - firm, massage or soft aerated spray.
- Resistant to reverse osmosis water.

MEETS THE FOLLOWING:

- ASME A112.18.1
- CSA B125.1
- NSF 61, 372
- CALGreen



FINISH GROUP 1: CH
FINISH GROUP 2: CLZ, MB, PN, SN, UPB
SPLIT FINISH: SEE PAGE 6

WALL MOUNT SHOWER HEAD W/ BACK PLATE

LIST PRICES:

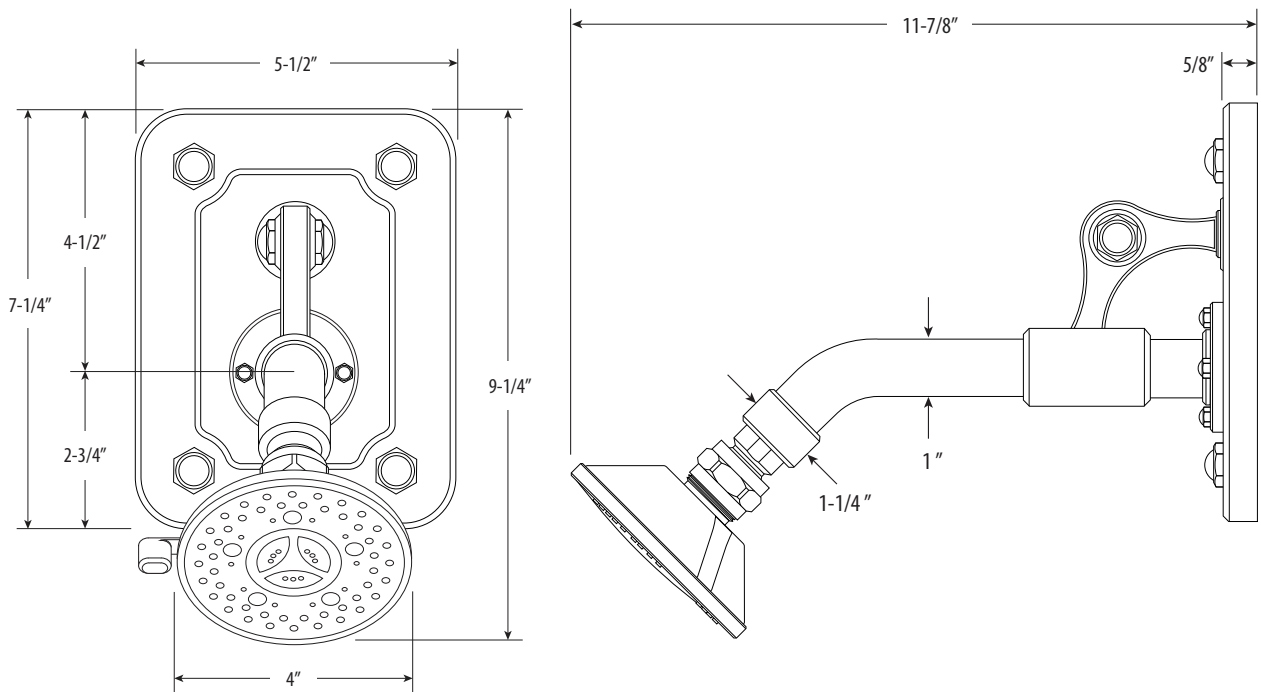
MODEL #	GRP 1	GRP 2
10108	3555	3893

FEATURES:

- 4" wide spray face.
- 9" shower arm reach.
- 1.75 gpm maximum flow rate.
- 5-1/2"W x 7-1/4"H back plate.
- Shower head includes thumb tab for a smooth transition between spray options.
- 3 individual spray options - firm, massage or soft aerated spray.
- Shower head can swivel in any direction for desired spray angle.
- Resistant to reverse osmosis water.

MEETS THE FOLLOWING:

- ASME A112.18.1
- CSA B125.1
- NSF 61, 372
- CALGreen



FINISH GROUP 1: CH
FINISH GROUP 2: CLZ, MB, PN, SN, UPB
SPLIT FINISH: SEE PAGE 6

THERMOSTATIC SHOWER TRIM W/ BUILT-IN VOLUME CONTROL

LIST PRICES:

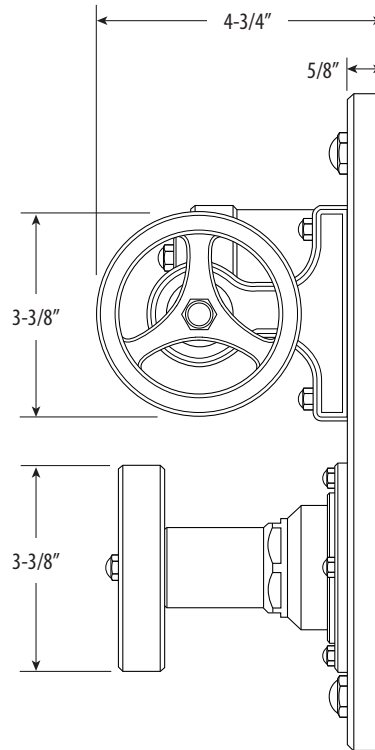
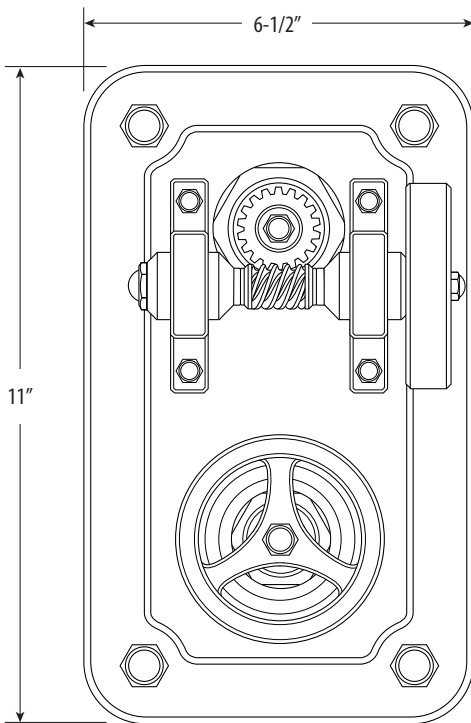
MODEL #	GRP 1	GRP 2
10101	6341	7560

FEATURES:

- Rough-in valve required (sold separately, model #10120).
- Independent controls for volume and water temperature.
- Hot limit stop prevents scalding.
- Push and turn handle feature overrides hot limit stop to increase water temperature.
- Volume control operates by stainless steel mechanical gear and drive screw system.
- 6-1/2"W x 11"H trim plate size.
- Includes cartridge stem extension kit for wall thickness up to 3".

MEETS THE FOLLOWING:

- ASME A112.18.1
- CSA B125.1
- NSF 61, 372
- CALGreen



DIVERTER TRIM

LIST PRICES:

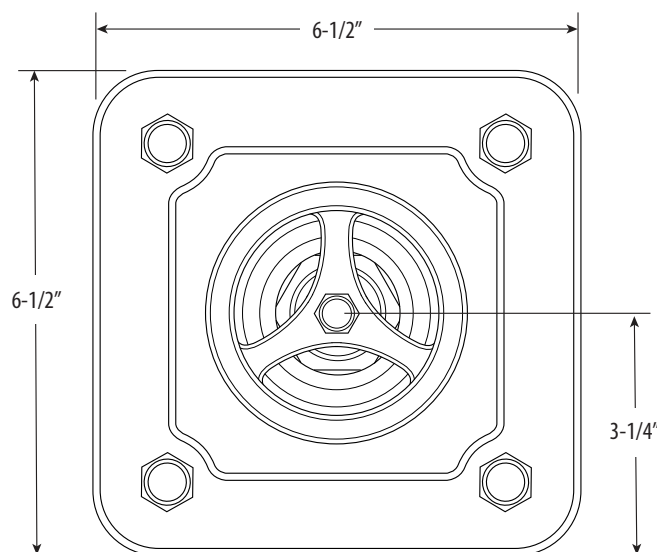
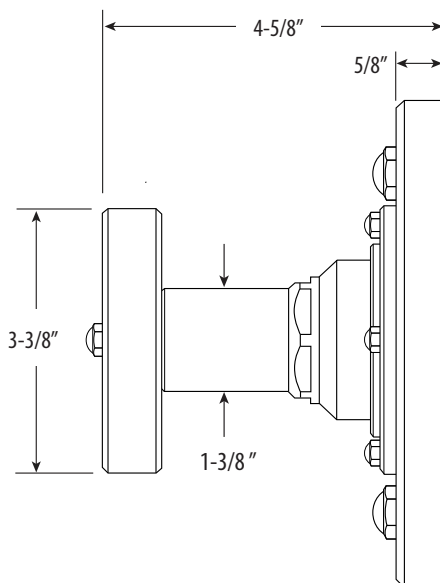
MODEL #	GRP 1	GRP 2
10105	2619	3195

FEATURES:

- Rough-in valve required (sold separately, model #10121).
- Single handle diverter allows a quick switch between 2 or 3 individual components.
- When turned, handle gently clicks into desired function.
- 6-1/2"W x 6-1/2"H trim plate size.
- Includes cartridge stem extension kit for wall thickness up to 3".

MEETS THE FOLLOWING:

- ASME A112.18.1
- CSA B125.1
- NSF 61, 372
- CALGreen



FINISH GROUP 1: CH
FINISH GROUP 2: CLZ, MB, PN, SN, UPB
SPLIT FINISH: SEE PAGE 6

SLIDE BAR HAND SHOWER

LIST PRICES:

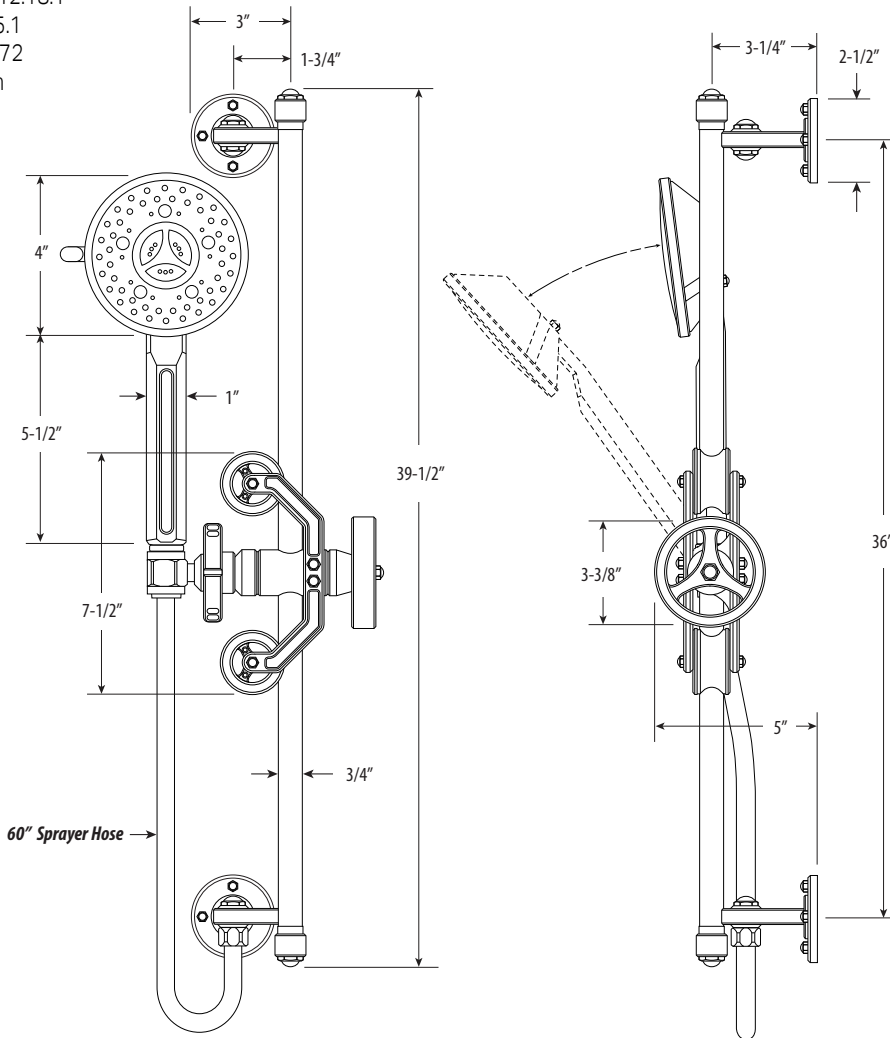
MODEL #	GRP 1	GRP 2
10107	7088	7448

FEATURES:

- Wheeled slide bar allows for variable shower heights.
- Bar mount locks hand shower in place to desired height, angle and position.
- 4" wide spray face.
- 60" hose length.
- 1.75 gpm flow rate.
- Hand shower includes thumb tab lock for a smooth transition between spray options.
- 3 individual spray options - firm, massage or soft aerated spray.
- Resistant to reverse osmosis water.

MEETS THE FOLLOWING:

- ASME A112.18.1
- CSA B125.1
- NSF 61, 372
- CALGreen



FINISH GROUP 1: CH
FINISH GROUP 2: CLZ, MB, PN, SN, UPB
SPLIT FINISH: SEE PAGE 6

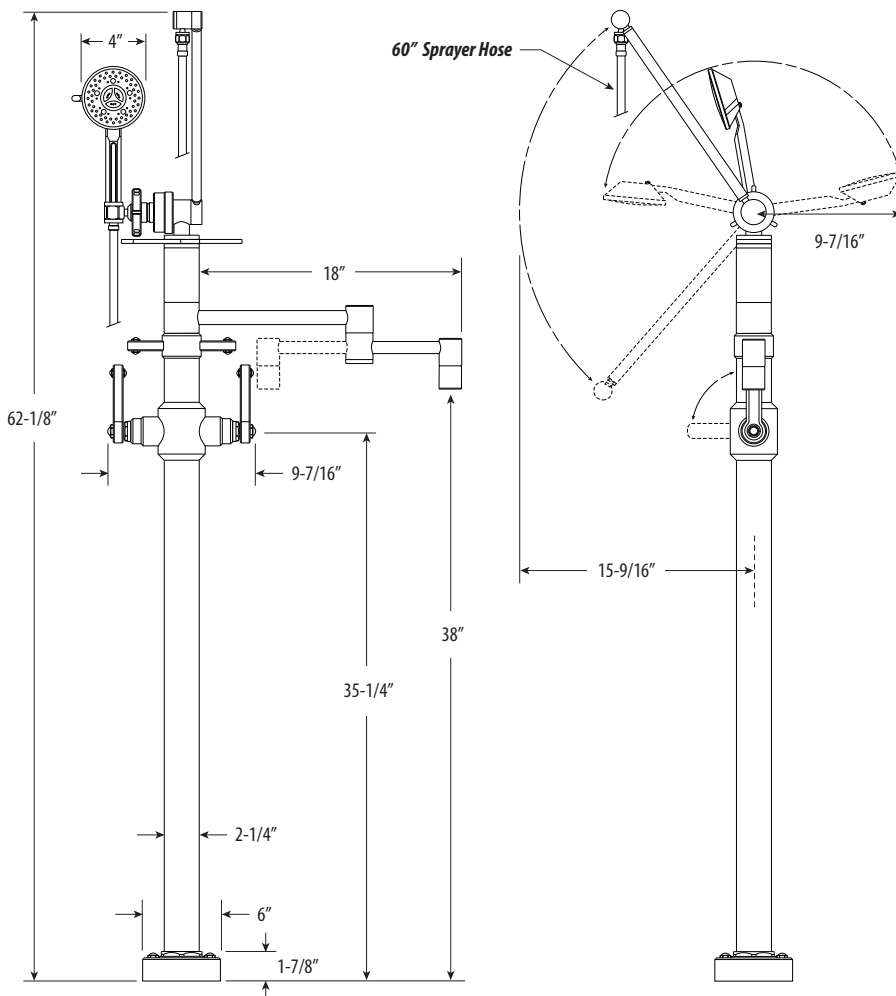
FREESTANDING TUB FILLER W/ HAND SHOWER

LIST PRICES:

MODEL #	GRP 1	GRP 2
10110	11700	13995

FEATURES:

- Rough-in required (sold separately, model #10123).
- Floor mounted, single post design.
- ADA compliant lever handles control desired volume and temperature.
- 3/4" hot and cold ceramic disk 1/4 turn cartridges.
- Push lever diverts water flow between tub spout and hand shower.
- Overall height: 62-1/8".
- Floor to spout tip height: 38".
- 17" articulated spout reach.
- Long reaching 60" spray hose.
- Spray arm spring technology allows hand shower to extend with ease.
- 4" hand shower spray face.
- 1.75 gpm hand shower flow rate.
- Hand shower includes thumb tab for a smooth transition between spray options.
- 3 individual spray options - firm, massage or soft aerated spray.
- Hand shower can be adjusted up and down to desired spray angle.



TUB

MEETS THE FOLLOWING:

- ASME A112.18.1
- CSA B125.1
- NSF 61, 372
- CALGreen
- ADA Compliant

FINISH GROUP 1: CH
FINISH GROUP 2: CLZ, MB, PN, SN, UPB
SPLIT FINISH: SEE PAGE 6

DECK MOUNT TUB FILLER W/ HAND SHOWER

LIST PRICES:

MODEL #	GRP 1	GRP 2
10111	8640	9653

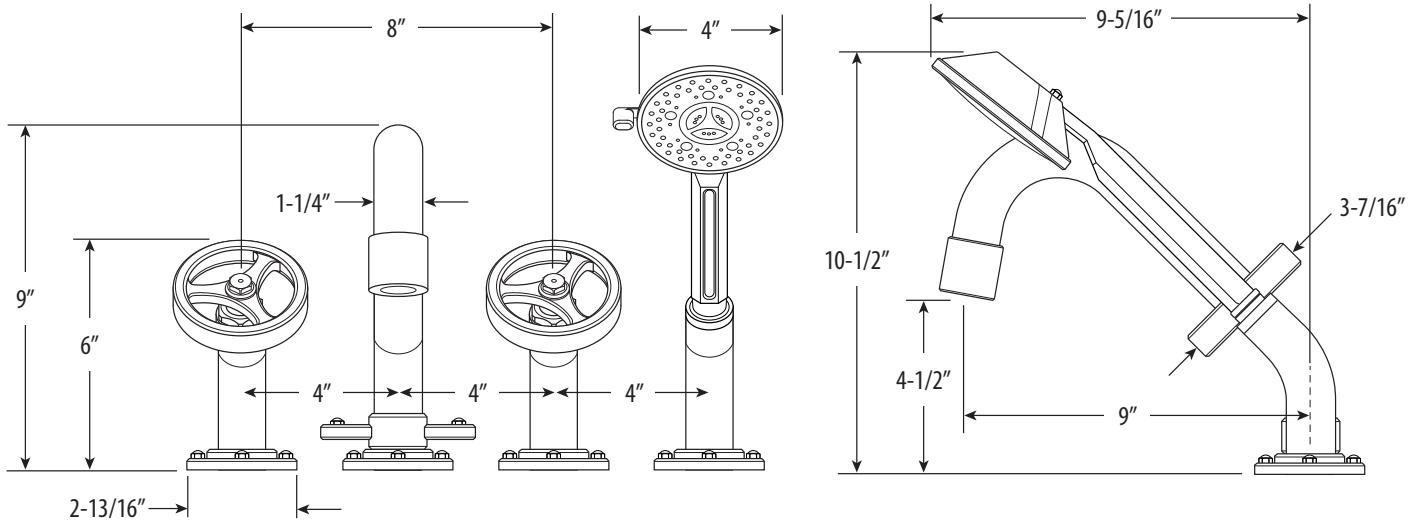
FEATURES:

- Rough-in required (sold separately, model #10124).
- 4 hole, 1-1/4" diameter mounting design.
- Handles can be installed on deck between 8" to 16" on center.
- 3/4" hot and cold ceramic disk 1/4 turn cartridges.
- 9" tub spout reach.
- Laminar spout flow creates a solid stream of water without splatter.
- 4" wide hand shower spray face.
- 1.75 gpm hand shower flow rate.
- Shower head reverse flow prevention check valve.
- Push lever diverts water flow between tub spout and hand shower.
- Hand shower includes thumb tab for a smooth transition between spray options.
- 3 individual spray options - firm, massage or soft aerated spray.
- Resistant to reverse osmosis water.



MEETS THE FOLLOWING:

- ASME A112.18.1
- CSA B125.1
- NSF 61, 372
- CALGreen
- ADA Compliant



FINISH GROUP 1: CH
 FINISH GROUP 2: CLZ, MB, PN, SN, UPB
 SPLIT FINISH: SEE PAGE 6

DECK MOUNT TUB FILLER

LIST PRICES:

MODEL #	GRP 1	GRP 2
10111A	6323	7065

FEATURES:

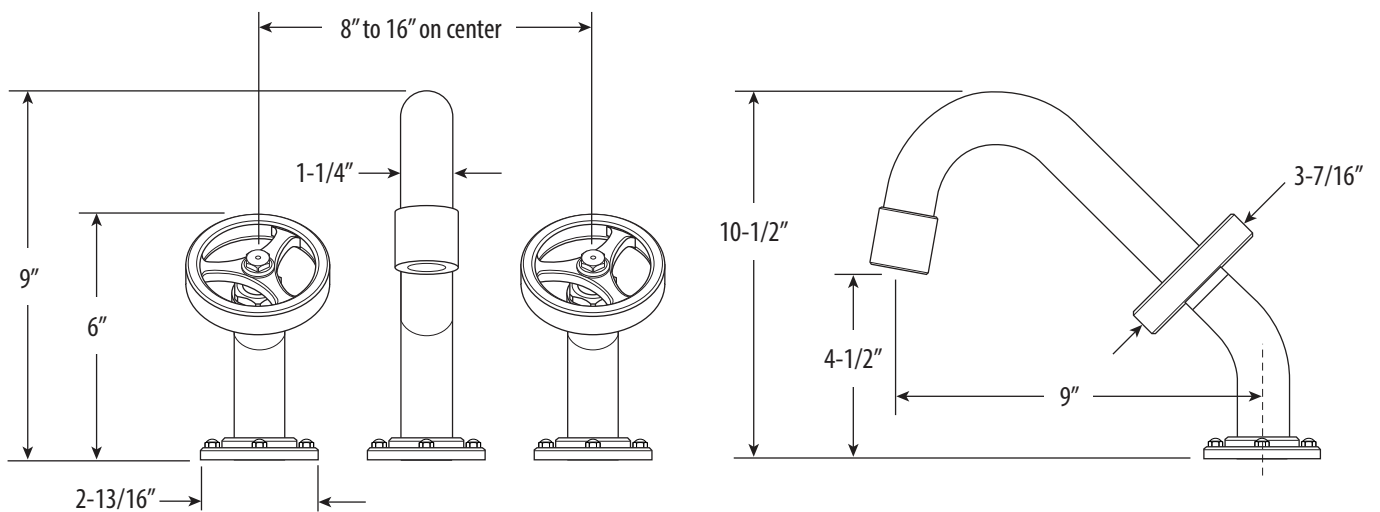
- Rough-in required (sold separately, model #10124).
- 3 Hole, 1-1/4" diameter mounting design.
- Handles can be installed on deck between 8" to 16" on center.
- 3/4" hot and cold ceramic disk 1/4 turn cartridges.
- 9" tub spout reach.
- Laminar spout flow creates a solid stream of water without splatter.
- Resistant to reverse osmosis water.

MEETS THE FOLLOWING:

- ASME A112.18.1
- CSA B125.1
- NSF 61, 372
- CALGreen



TUB



FINISH GROUP 1: CH
FINISH GROUP 2: CLZ, MB, PN, SN, UPB
SPLIT FINISH: SEE PAGE 6

WALL MOUNT TUB SPOUT W/ BACK PLATE

LIST PRICES:

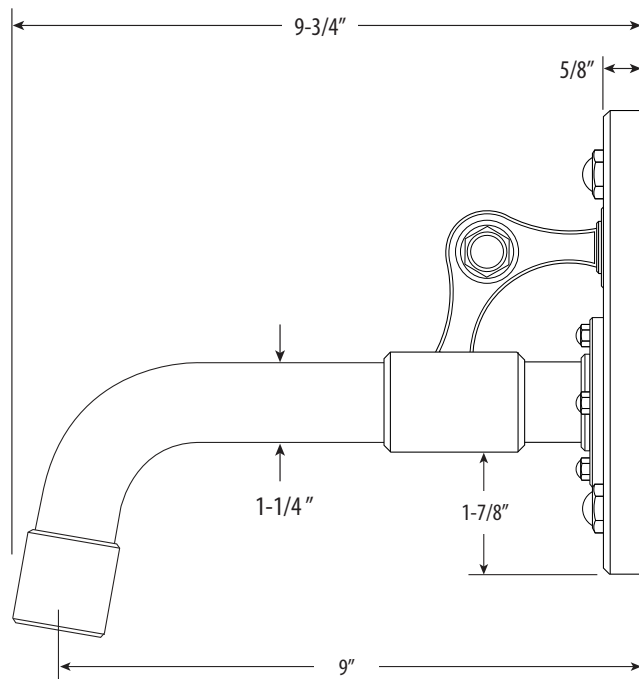
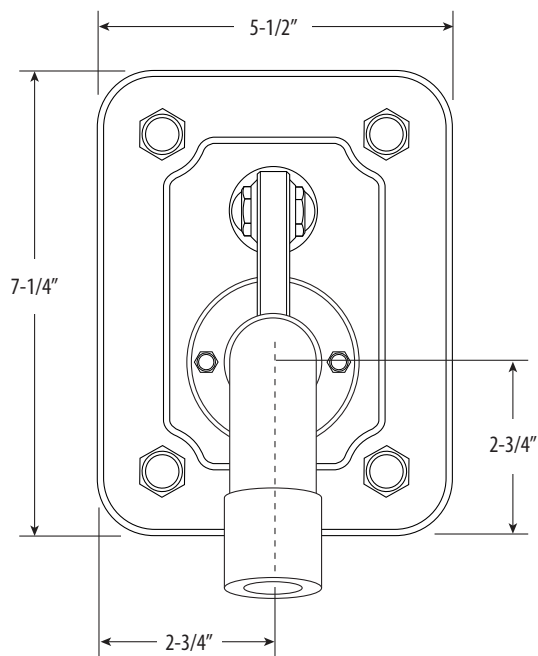
MODEL #	GRP 1	GRP 2
10106	3465	3722

FEATURES:

- 9" tub spout reach.
- Laminar spout flow creates a solid stream of water without splatter.
- 5-1/2"W x 8-1/4"H back plate.
- Resistant to reverse osmosis water.

MEETS THE FOLLOWING:

- ASME A112.18.1
- CSA B125.1
- NSF 61, 372
- CALGreen



LAVATORY FAUCET AND PUSH DRAIN

MODEL NO. 10100 - PUSH DRAIN W/ OVERFLOW

MODEL NO. 10100A - PUSH DRAIN W/O OVERFLOW

LIST PRICES:

MODEL #	GRP 1	GRP 2
10100	3308	3555
10100A	3308	3555
101112	475	550
101113	435	510

FEATURES:

- Two-handle, widespread bathroom lavatory faucet.
- Includes push drain. With overflow (10100) or without overflow (10100A).
- 6-3/8" spout reach.
- Handles can be installed between 8" to 16" on center.
- 1/2" hot and cold ceramic disk 1/4 turn cartridges.
- 1.75 gpm maximum flow rate.
- Aerated spout tip for smooth water flow.
- 20" reinforced braided connection hoses with 3/8" compression fitting.
- Resistant to reverse osmosis water.

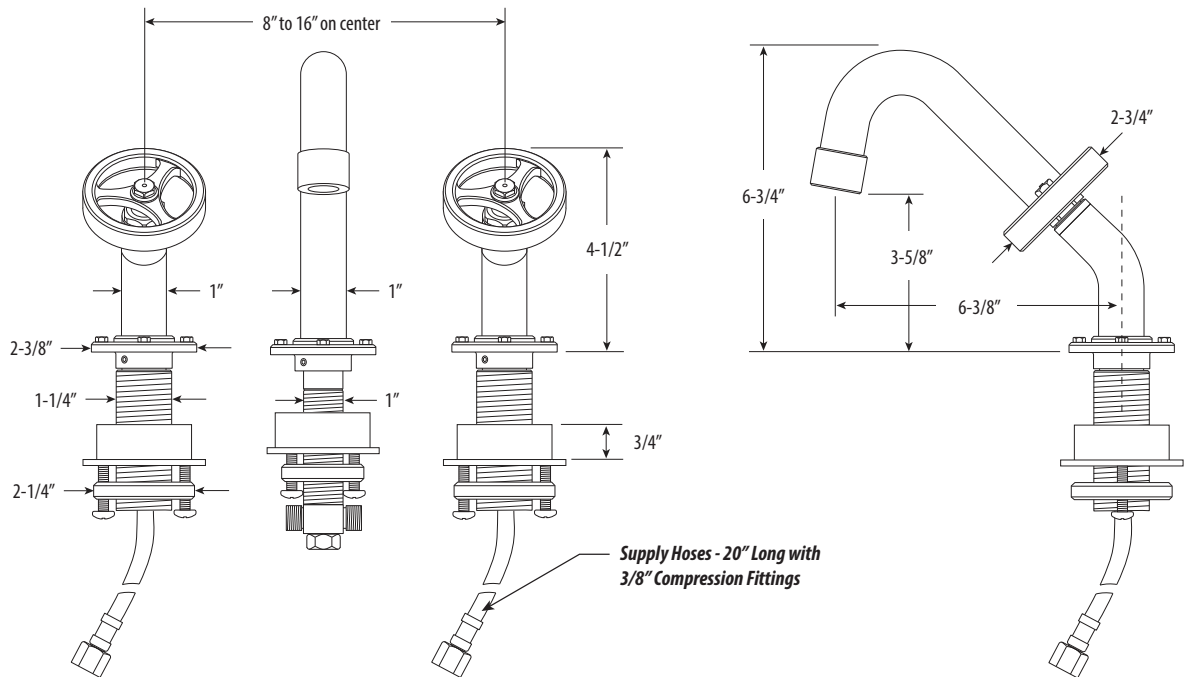
MEETS THE FOLLOWING:

- ASME A112.18.1
- CSA B125.1
- NSF 61, 372
- CALGreen



10112 - OVERFLOW

10113 - NO OVERFLOW



FINISH GROUP 1: CH
 FINISH GROUP 2: CLZ, MB, PN, SN, UPB
 SPLIT FINISH: SEE PAGE 6

10165, 10170, 10175, 10180

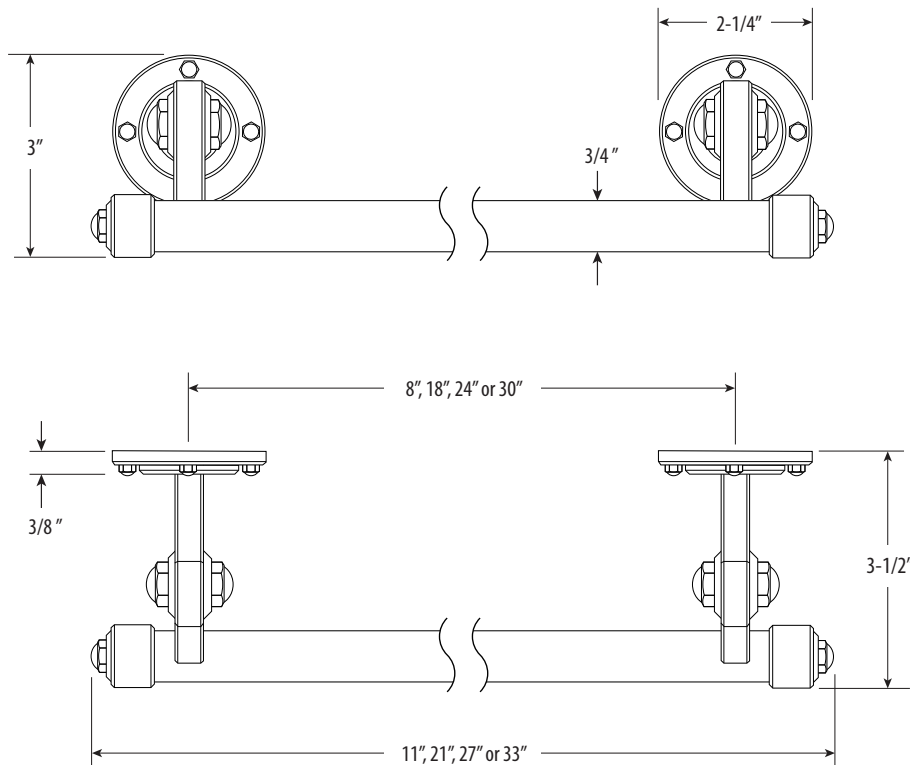
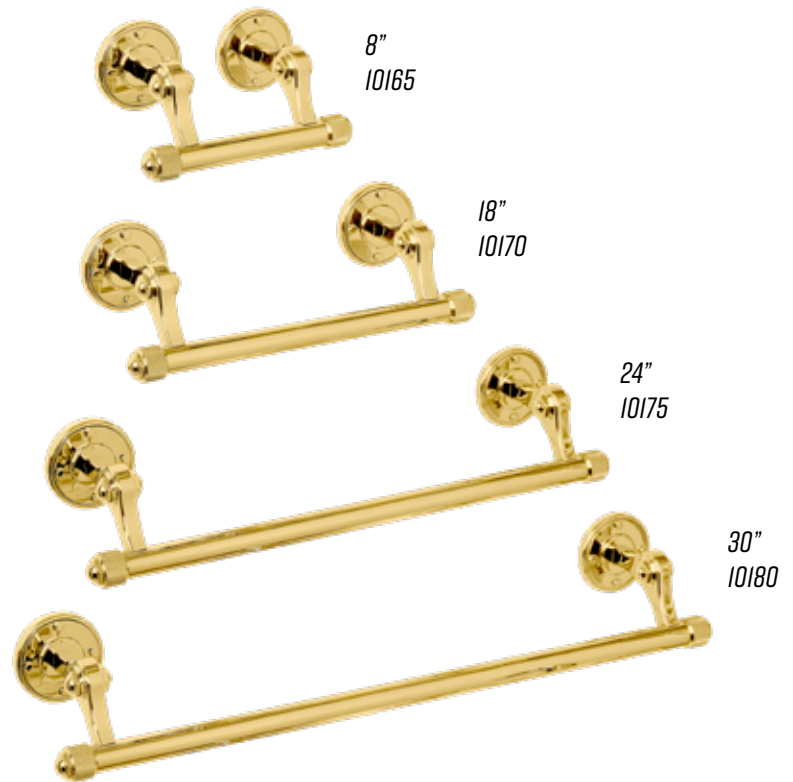
TOWEL BARS

LIST PRICES:

MODEL #	GRP 1	GRP 2
10165	1636	1798
10170	1870	2061
10175	2083	2291
10180	2253	2478

FEATURES:

- Available in 8in, 18in, 24in or 30in wide.
- Includes heavy duty snap toggle mounting system for drywall and screws for wood doors or panels.



FINISH GROUP 1: CH
FINISH GROUP 2: CLZ, MB, PN, SN, UPB
SPLIT FINISH: SEE PAGE 6

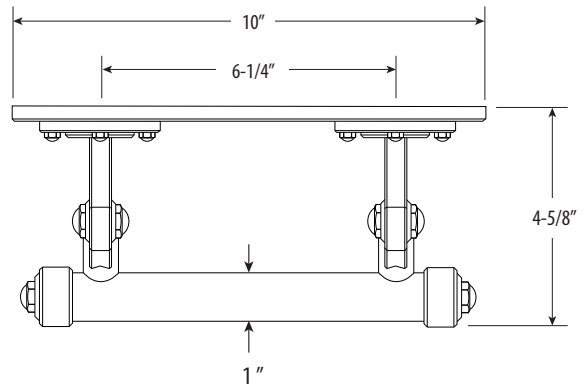
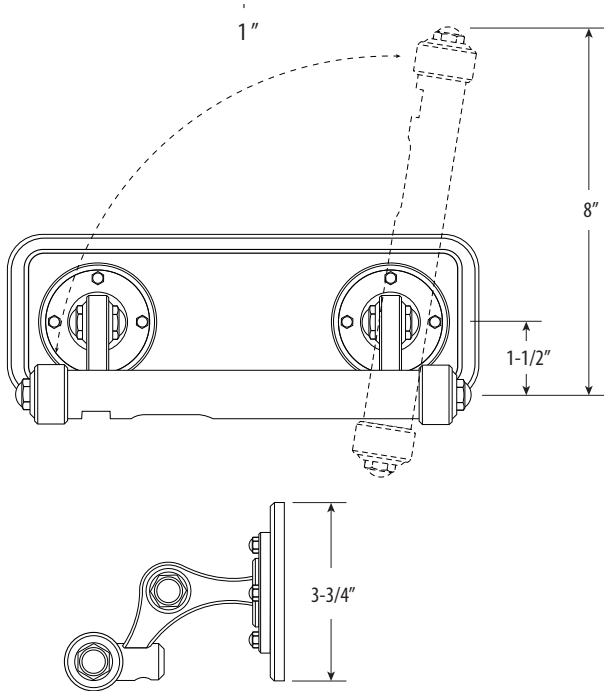
TOILET PAPER HOLDER

LIST PRICES:

MODEL #	GRP 1	GRP 2
10160	1573	1815

FEATURES:

- Pull-to-unlock holder rod pivots vertically to make changing tissue quick and easy.
- Rod pivots back into place and locks to secure paper.
- 10"W x 3-1/4"H back plate.
- Includes heavy duty snap toggle mounting system for drywall and screws for wood doors or panels.



ACCESSORIES

FINISH GROUP 1: CH
FINISH GROUP 2: CLZ, MB, PN, SN, UPB
SPLIT FINISH: SEE PAGE 6

ACCESSORIES

SINGLE ROBE HOOK

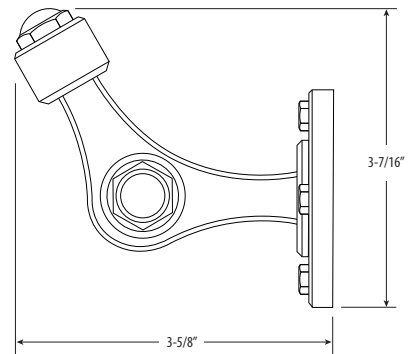
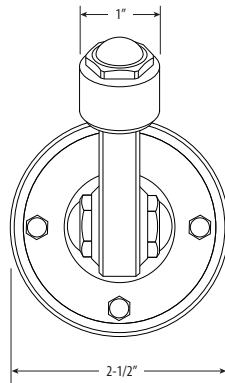
10150

LIST PRICES:

MODEL #	GRP 1	GRP 2
10150	1041	1148

FEATURES:

- 2-1/2"W x 3-7/16"H back plate.
- Extends 3-5/8" from wall.
- Includes heavy duty snap toggle mounting system for drywall and screws for wood doors or panels.
- Ideal for hanging heavy robes or towels.



DOUBLE ROBE HOOK

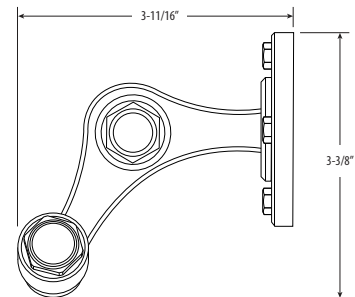
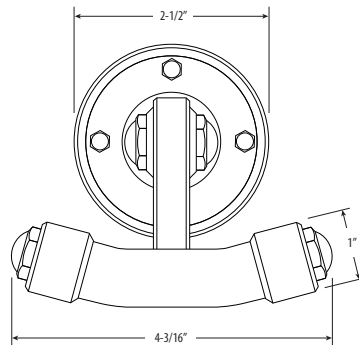
10155

LIST PRICES:

MODEL #	GRP 1	GRP 2
10155	1126	1241

FEATURES:

- 2-1/2"W x 3-3/8"H backplate.
- Extends 3-11/16" from wall.
- Includes heavy duty snap toggle mounting system for drywall and screws for wood doors or panels.
- Ideal for hanging two heavy robes or towels.



THERMOSTATIC SHOWER VALVE (ROUGH-IN FOR 10101)

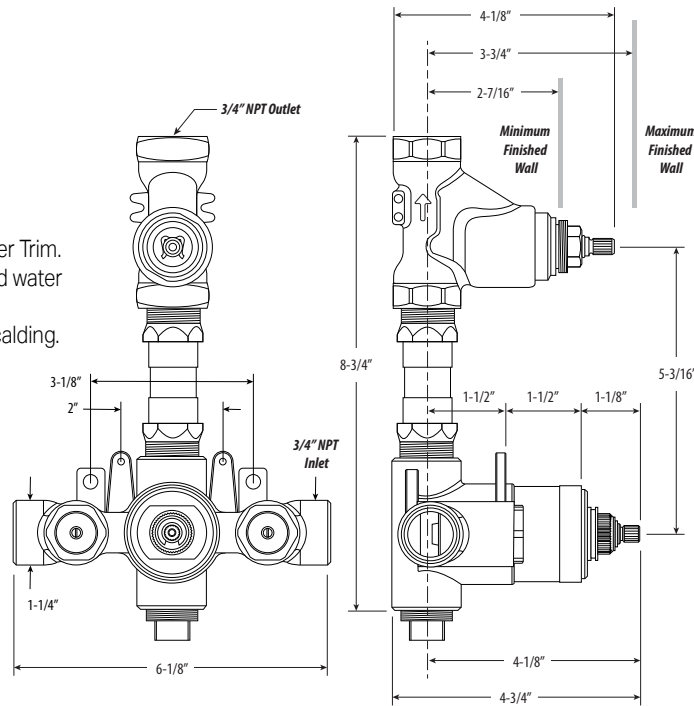
10120

LIST PRICES:

MODEL #	ROUGH
10120	503

FEATURES:

- Rough-in valve kit for the 10101 Thermostatic-Volume Control Shower Trim.
- Independent controls for volume and water temperature.
- Adjustable hot limit stop prevents scalding.
- 1/4 turn washer-less ceramic disc, 3/4" valve cartridges.
- Integral hot and cold inlet service stops ensure easy cartridge access.
- 3/4" NPT female thread (inlet and outlet) valve body.
- Brass construction.
- Includes mud guard and hardware.
- Trim kit sold separately.



MEETS THE FOLLOWING:

- ASME A112.18.1
- CSA B125.1

DIVERTER CONTROL VALVE (ROUGH-IN FOR 10105)

10121

LIST PRICES:

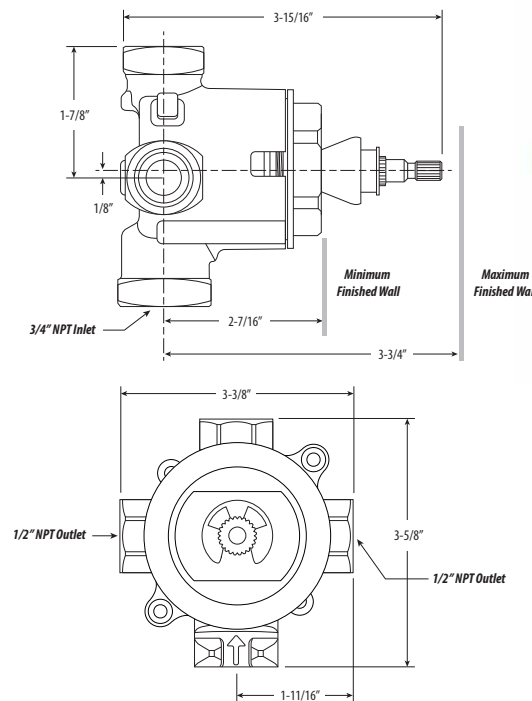
MODEL #	ROUGH
10121	350

FEATURES:

- Rough-in valve for the 10105 Diverter Trim.
- Two or three-way diverter valve.
- Diverts water flow to up to three separate components/outlets.
- Single handle operation.
- 3/4" NPT female inlet connection.
- Three 1/2" NPT female outlet connections.
- Brass construction.
- Includes mud guard and hardware.
- Trim kit sold separately.

MEETS THE FOLLOWING:

- ASME A112.18.1
- CSA B125.1



ROUGH-IN

ROUGH-IN VALVES

FREESTANDING TUB VALVE (ROUGH-IN FOR 10110)

10123

LIST PRICES:

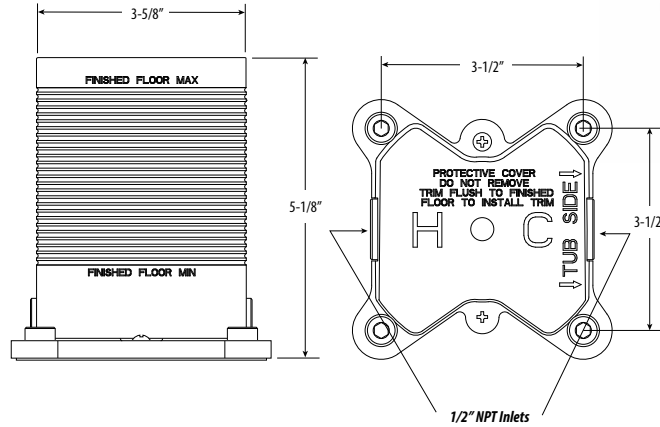
MODEL #	ROUGH
10123	526

FEATURES:

- Rough-in valve for the 10110 Freestanding Tub Filler.
- 1/2" NPT inlet connections.
- Maximum floor thickness 2-1/4".
- Brass construction.
- Includes mud guard and hardware.
- Trim sold separately.

MEETS THE FOLLOWING:

- ASME A112.18.1
- CSA B125.1



DECK MOUNT TUB VALVE (ROUGH-IN FOR 10111, 10111A)

10124

LIST PRICES:

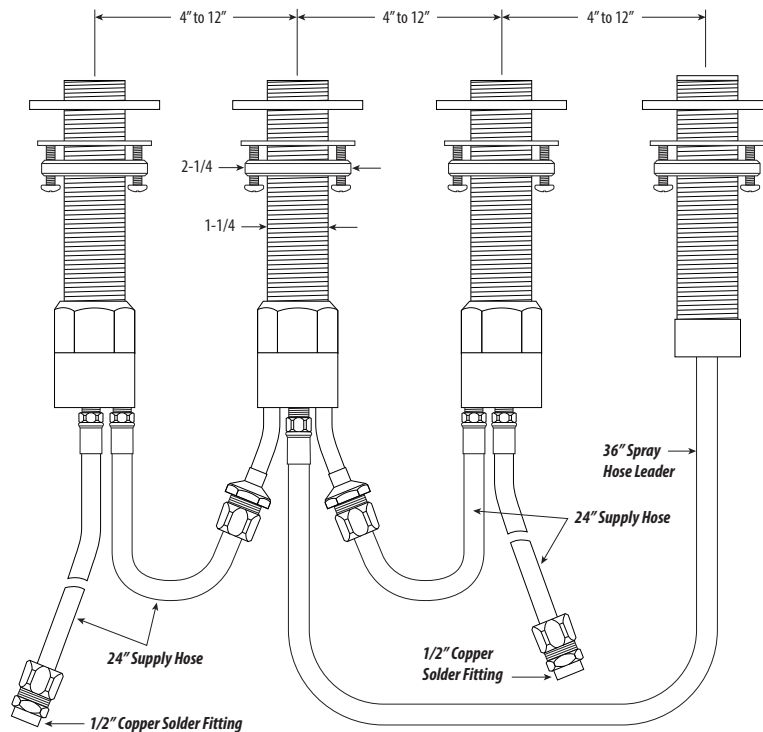
MODEL #	ROUGH
10124	375

FEATURES:

- Rough-in valve for the 10111 and 10111A Deck Mount Tub Fillers.
- Ceramic disc valve cartridge.
- 20" reinforced braided connection hoses with 1/2" copper pipe solder fittings.
- 1.75 gpm flow rate for hand shower at 45psi.
- Brass construction.
- Trim kit sold separately.

MEETS THE FOLLOWING:

- ASME A112.18.1
- CSA B125.1



ROUGH-IN

UNILATERAL MINIMUM RETAIL PRICE (UMRP)

This policy became effective on January 1st 2017, all distributors and dealers doing business with WATERSTONE on and after that date are bound to the terms and conditions of this policy.

Waterstone Faucets is dedicated to providing our distributors and dealers with the highest quality, most innovative products sold through superior sales and marketing support. With this company objective in mind, Waterstone Faucets is introducing its Unilateral Minimum Retail Price (UMRP) Policy in order to maintain proper positioning of our products in the marketplace, to define guidelines for the use of Waterstone patented, trademarked and copyrighted product and materials, and to solidify and preserve a consistent value for our distributors and dealers.

UNILATERAL POLICY GUIDELINES -

Each distributor and dealer remains free to determine for itself the resale prices at which it will sell and promote its products and each distributor or dealer is free to independently decide whether or not to follow the WATERSTONE UMRP policy. WATERSTONE does not ask for, nor will it accept, any assurance of compliance or agreement from a distributor or dealer regarding the UMRP policy. WATERSTONE is unilaterally implementing the Policy. WATERSTONE will determine whether or not distributors and dealers are in violation of the UMRP policy and will enforce the policy as it is warranted. All Decisions by WATERSTONE to take action for a violation of the UMRP Policy are final. There will be no negotiations.

The UMRP policy applies to discounted products, clearance items and closeouts. Waterstone has a very liberal return and repair policy. Products may be sent to us for repair to return them to their original saleable condition, therefore, the need for clearances and closeouts is unwarranted.

UMRP POLICY TERMS AND CONDITIONS -

WATERSTONE has established a Minimum Advertised Price (MAP) for all products. The Waterstone MAP is calculated at .75 times (25%) off current Waterstone Retail List Price in effect. This means that the advertised "Net Price" to the end user (The Waterstone Retail list price less all discounts, coupons, allowances, and free goods or services offered with Waterstone Products) must not be below the current WATERSTONE MAP.

WATERSTONE may engage in monitoring of advertised prices of Product sales in all channels, whether directly or via the use of third parties. Third parties retained by WATERSTONE may engage in monitoring of Product sales by distributors and dealers to verify that the terms of this Policy are being upheld. WATERSTONE reserves the right to change the MAP on 30 days written notice.

The UMRP policy applies to any and all advertisements, quotes, bids, estimates and invoices in all media including, but not limited to, inserts, newspapers, magazines, catalogs, public signage, billboards, and any other print media, television, radio, email, internet websites or other commerce, fliers, posters, coupons, brochures, and use of hypertext transfer protocol or internal links to a web based shopping cart and any other electronic media.

At no time may a distributor or dealer make any statements or other indication on any advertisements that a price below WATERSTONE'S MAP can be obtained by contacting the distributor or dealer, visiting the distributor or dealer showroom, clicking through to another price on a website, or any other means. A distributor or dealer may not use any WATERSTONE name(s), trademark(s), logo(s), patent(s) or products names(s), in a way that is not in accordance with this Policy or violates WATERSTONE'S MAP. This includes all product images, brand logos and any and all copyrighted materials.

VIOLATIONS -

In the event that a distributor or dealer violates this policy:

FIRST VIOLATION – WATERSTONE will notify the offending distributor or dealer in writing of the violation. The distributor or dealer will have ten (10) calendar days to correct the violation of the UMRP Policy and comply with WATERSTONE MAP.

If the distributor or dealer fails to correct the violation within the provided time, WATERSTONE will decrease the discounted price at which the distributor or dealer purchases WATERSTONE products by 10 percent for a period of ninety (90) calendar days. Additionally, WATERSTONE will remove the distributor or dealer from all links and listing on WATERSTONE'S website, and the distributor or dealer will be suspended from all sales programs offered to the distributor or dealer including but not limited to rebates, early pay incentives, freight programs, and sales incentives.

If at the end of the 90 day suspension period the distributor or dealer has complied with the policy and not otherwise violated the MAP, then the distributor or dealer will be reinstated to full status, and the suspended distributor or dealer programs will be re-started.

However, if the distributor or dealer continues to be in violation of the UMRP policy at the end of the ninety (90) day suspension period, it will be considered a second violation.

SECOND VIOLATION – At this time all pending orders will be immediately canceled, and WATERSTONE will not accept any new orders. WATERSTONE will notify the distributor or dealer in writing and at its own discretion and without liability under any existing contracts or agreements, initiate the process to terminate the distributor or dealer authorization to sell WATERSTONE products.

TERMS AND CONDITIONS

PAYMENT TERMS:

Regular payment terms are Net 30 days, DOI with credit approval. Waterstone also accepts payments made by VISA, MASTERCARD, AMERICAN EXPRESS and DISCOVER credit cards. Waterstone shall have the option to charge 1½% interest on all past due accounts monthly. In the event of legal action to collect any past due amounts, the buyer shall be responsible for all attorney Collection fees, court costs or other fees reasonable and proper for such collection(s).

FREIGHT:

All orders are F.O.B. Murrieta, CA. In general, all goods are shipped UPS ground unless otherwise specified by the customers Purchase Order. Shipments that can be consolidated to a pallet size may be shipped via common carrier. Customer preferred shippers or method of shipment will be accommodated providing such preference is listed on the customers Purchase Order.

PRICING:

All prices and terms are subject to change without notice.

CLAIMS:

All claims for shortages or damages must be made within ten (10) days from receipt of merchandise. Claims for merchandise delivered damaged must be filed with the delivery carrier within 7 days. Request an immediate inspection by the carrier.

RETURNS:

All returns are subject to the terms and conditions of the Waterstone warranty. A RETURNED GOODS AUTHORIZATION number (RGA #) must be obtained by the customer from the Waterstone Customer Care Department prior to any merchandise return. The RGA # must appear on the return packing slip/document and a copy of the approved pending RGA form must be in the box with the returned unit. Upon inspection, Waterstone, at its option will either repair or replace the item if the defect falls under the guidelines of the warranty. New, unused and sealed merchandise in its original packaging of current design accepted by the Company for return is subject to a 35% restocking charge. If the product returned is damaged by the recipient or damaged in transit for return, Waterstone has the right to rescind the restock fee and charge up to the full purchase price of the unit. All credits provided for returned product or otherwise are only valid for 90 days from date of approval and issue by Waterstone. If unused by the recipient after 90 days the credit is null and void, and the RGA product will not be returned. Credits can only be used for Waterstone merchandise.

MINIMUM ORDER:

Order minimum is \$ 50.00 for active account.

DEFAULT:

If a customer is in default under any order of contract with Waterstone, or if Waterstone at any time shall not be satisfied with its customer's financial condition or responsibility, Waterstone shall have the right, without prejudice, to legal remedy including suspending deliveries until such default or condition is remedied.

TITLE:

All merchandise is sold subject to these conditions and shall remain the property of Waterstone until paid for in full, with the provision that all risk of loss or damage to merchandise is assumed by the customer.

LIMITED LIFETIME FUNCTIONAL WARRANTY

Since 1999, Waterstone has manufactured the highest quality kitchen faucets in the USA. We support our workmanship with a Limited Lifetime Functional Warranty. All Waterstone products manufactured by Waterstone carry a Limited Lifetime Guarantee against functional defects in material or workmanship in a residential application. Waterstone products will be free from defects in material and manufacturing workmanship, however, any damage due to improper installation, product abuse, product misuse, improper maintenance, alterations or accidents by a contractor, service company, or homeowner, are excluded from this warranty. Proof of purchase, from the original consumer, must accompany all warranty claims.

In the event of a problem with the product, Waterstone has the option to repair or replace the defective part/product, at our discretion, and may require the product be returned for inspection. If the product should develop any leaks or functionality issues, Waterstone will provide the necessary parts, at no cost, in order to return the faucet to fully functional condition.

Waterstone is not responsible for any labor charges incurred by the purchaser to repair, replace, install or remove the product(s). Waterstone is not responsible for any indirect, incidental or consequential damages, losses, injury or costs, of any nature, relating to the product, except as provided by law. This warranty is in lieu of and excludes all other warranties, conditions and guarantees, whether expressed or implied, statutory or otherwise, including, without restriction, those of merchantability or of fitness for use.

This warranty is valid only when products are purchased through an Authorized Waterstone Dealer/Distributor. Waterstone will not honor this warranty if the products are purchased from any unauthorized dealer, third-party vendor or on-line seller. The warranty applies to Waterstone faucets installed in the United States of America, Canada and Mexico only.

Products not manufactured by Waterstone, but distributed by Waterstone will carry only the original manufacturer's warranty.

WARNING - Since 2005, Waterstone has continued to advise all of our customers against the installation of any brand of in-line water chiller unit with our faucets. Compressor style chiller units have been proven to arbitrarily exceed the standard household in-line pressure ratings, causing the faucet inlet connection line to burst and create the potential for water damage claims in the field.

INSTALLATION OR USE OF AN IN-LINE WATER CHILLER WITH A WATERSTONE FAUCET, OF ANY KIND, WILL VOID THE WARRANTY. Waterstone will only recommend the installation of a water chiller in the vented side (in place of a hot tank) with one of our Hot Only or Hot and Cold Filtration Faucet models.

This warranty gives you specific legal rights, and you may also have other rights which vary from state/province to state/province. The above limitations or exclusions may not apply to you.

ORDER FULFILLMENT POLICY

1. The customer's order will be entered into the order fulfillment system on the day the order is received, providing the order is received by 2pm Pacific Standard Time.
2. An order confirmation will be faxed or emailed to the customer within one working day of the entry of the order into the order fulfillment system. The order confirmation will contain anticipated ship date information and a listing of all items and the customer's cost pricing of these items.
3. The factory will endeavor to ship all orders received as quickly and completely as possible in a single shipment.
4. The factory will ship a customer's order complete whenever the customer places such a request in the body of their purchase order. Without this specific written request, Waterstone will ship partial shipments as they become available.

DROP SHIP POLICY

WATERSTONE DROP SHIPMENT OUT OF REPRESENTATIVES REGION POLICY

1. Waterstone is committed to keeping our direct customers "selling field" as level and even as possible. Our customers invest in product displays, inventory, training of their sales staff, etc. Therefore, we wish to assist our customer's efforts to obtain excellent margins when selling our products.
2. Waterstone will accept all orders from our direct purchase customers in qualified credit status and ship those orders to the customer's immediate local trading area. Any customer may certainly re-ship our product(s) after they receive them at their location of business.
3. We will drop ship our product(s) for our direct purchase customer(s) within the geographic boundaries of their assigned Representatives Selling Region. We will not drop ship outside of these areas.

For warranty claims or replacement parts, contact Waterstone customer service:

1-888-304-0660

support@waterstoneco.com

Hours are from 6:00am to 5pm PST

FINISH WARRANTIES

For a warranty claim for finish, a valid dated bill of sale or receipt from purchase must accompany any warranty request. This warranty is for normal wear and tear of finish surface, the warranty will be void for unintended use damage, lack of cleaning or improper cleaning and maintenance techniques directly resulting in a damaged finish.

LIFETIME WARRANTY

Waterstone carries a lifetime warranty on the following finishes:

Chrome - CH

7 YEAR WARRANTY

Waterstone carries a 7 year warranty for the original purchaser from the date of sale. Warranty applies to normal wear for the following finishes:

Classic Bronze - CLZ

Matte Black - MB

Polished Nickel - PN

Satin Nickel - SN

NO WARRANTY

Waterstone does not offer a warranty on living or gold finishes. The rate of deterioration will vary either from exposure to chemicals, perspiration, climate conditions, or other factors. Tarnishing or excessive wear of these finishes is therefore, not a defect, but a normal process, which is unavoidable. Under these circumstances, products will not be repaired or replaced under warranty for normal tarnishing or wear finishes.

Unlacquered Polished Brass - UPB

SPLIT FINISHES

Standard split finish warranty applies to the lesser of the two warranties.

Chrome - CH

Classic Bronze - CLZ

Matte Black - MB

Polished Nickel - PN

Satin Nickel - SN

Unlacquered Polished Brass - UPB

Custom split finishes have no finish warranty and are not eligible for returns.

Customer service:
1-888-304-0660
wscustomerpo@waterstoneco.com
6:00am to 5pm PST

Technical support:
1-888-304-0660
support@waterstoneco.com
6:00am to 5pm PST

Waterstone Faucets, LLC
PO BOX 1240
Temecula, Ca. 92593

Certifications:







1-888-304-0660 • 951-304-0520 • www.waterstoneco.com