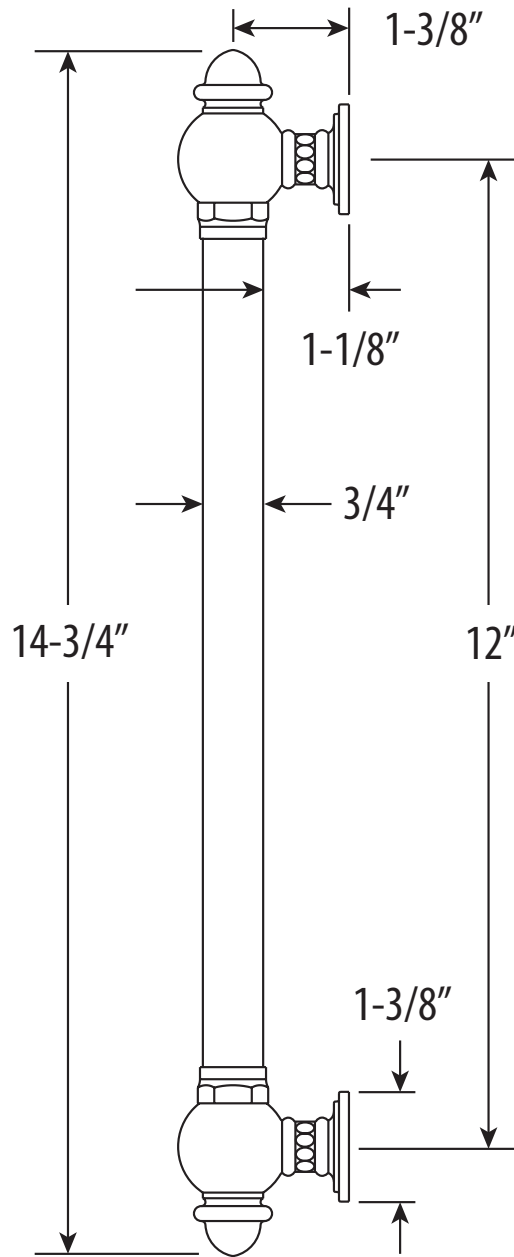


TRADITIONAL 12" APPLIANCE PULL

HTP-1201

• FITS MATERIALS FROM 1/4" TO 1-1/2" THICK

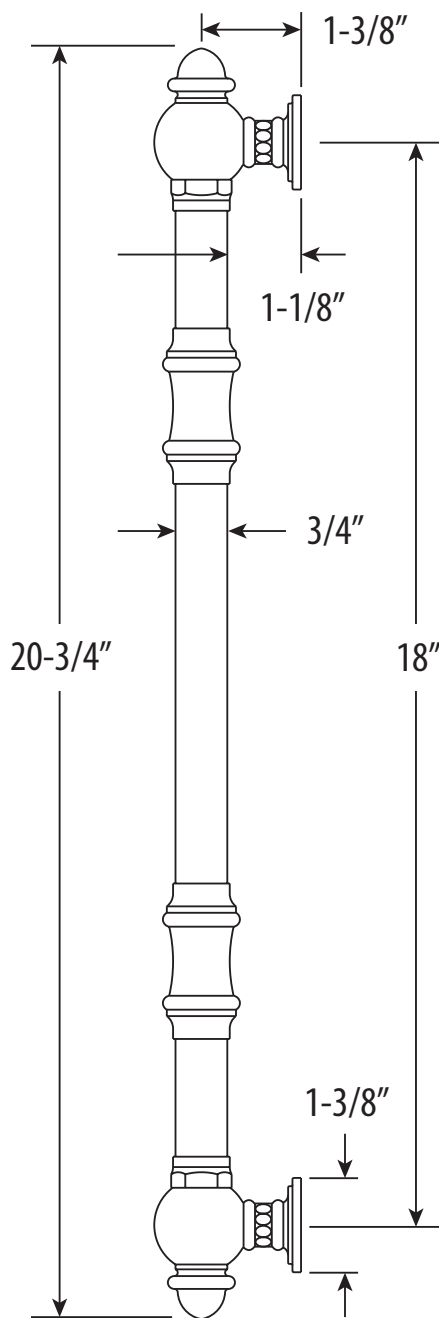


DIMENSIONS MAY VARY AND ARE SUBJECT TO CHANGE. NO RESPONSIBILITY IS ASSUMED FOR USE OF SUPERCEDED OR VOIDED DATA

TRADITIONAL 18" APPLIANCE PULL

HTP-1800

• FITS MATERIALS FROM 1/4" TO 1-1/2" THICK

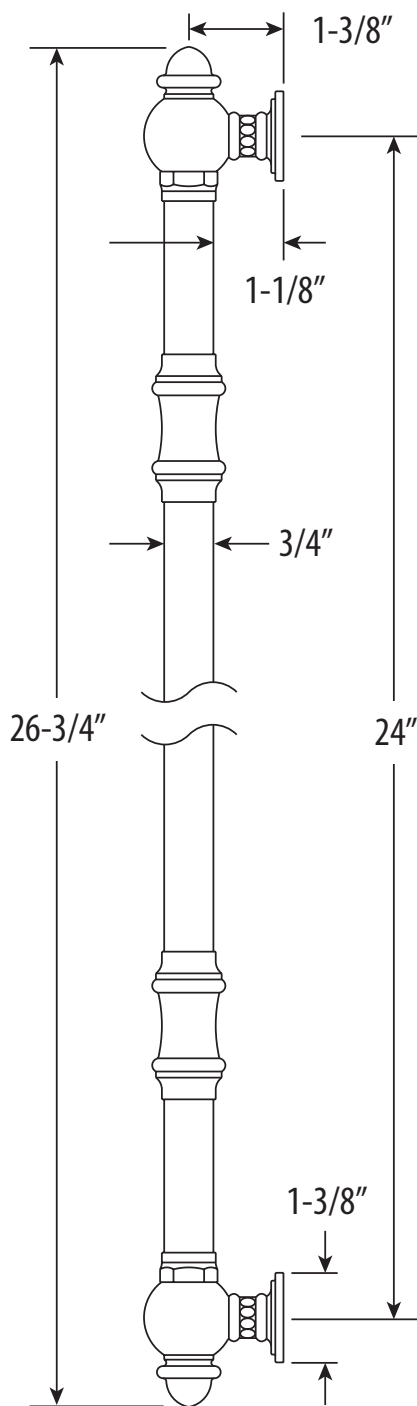


DIMENSIONS MAY VARY AND ARE SUBJECT TO CHANGE. NO RESPONSIBILITY IS ASSUMED FOR USE OF SUPERCEDED OR VOIDED DATA

TRADITIONAL 24" APPLIANCE PULL

HTP-2400

• FITS MATERIALS FROM 1/4" TO 1-1/2" THICK

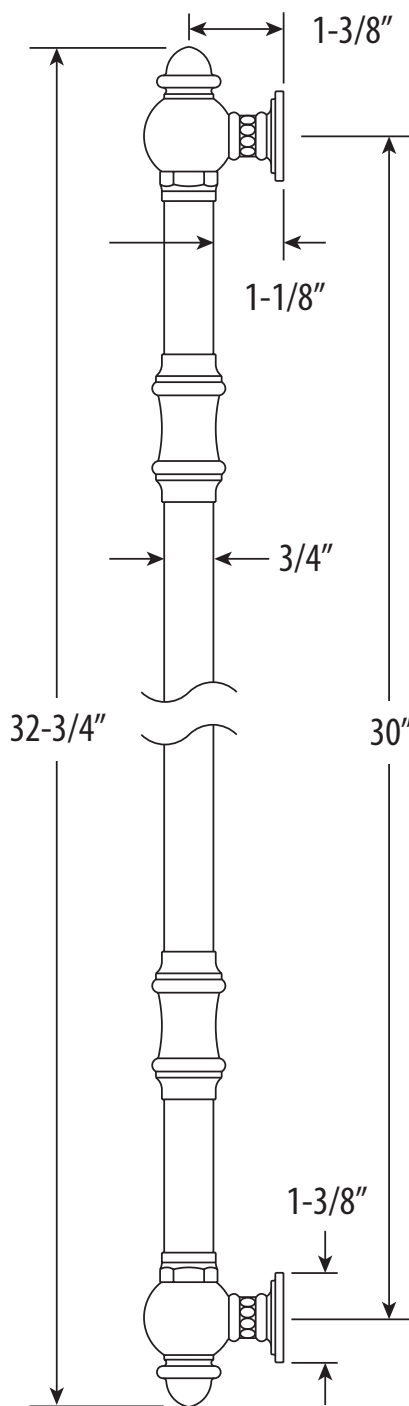


DIMENSIONS MAY VARY AND ARE SUBJECT TO CHANGE. NO RESPONSIBILITY IS ASSUMED FOR USE OF SUPERCEDED OR VOIDED DATA

TRADITIONAL 30" APPLIANCE PULL

HTP-3000

• FITS MATERIALS FROM 1/4" TO 1-1/2" THICK



DIMENSIONS MAY VARY AND ARE SUBJECT TO CHANGE. NO RESPONSIBILITY IS ASSUMED FOR USE OF SUPERCEDED OR VOIDED DATA