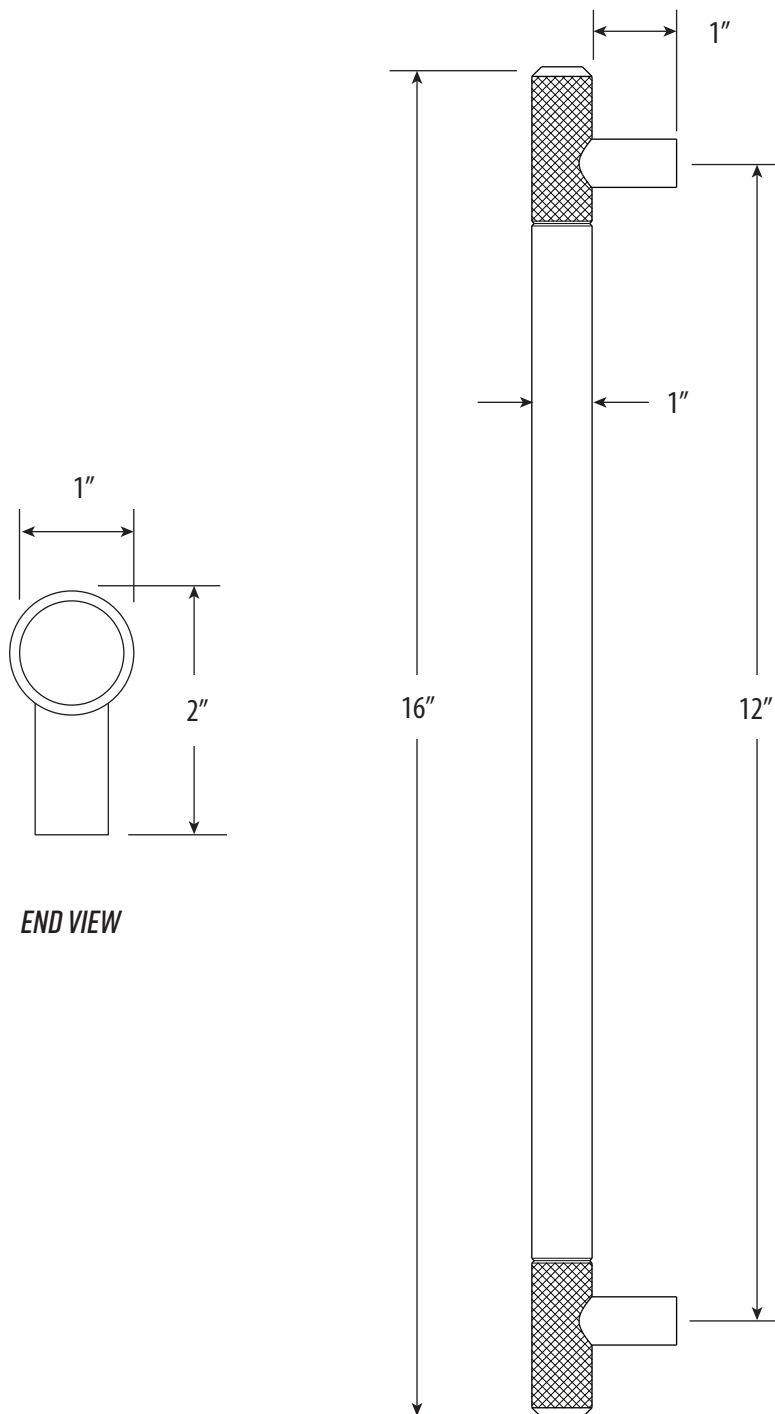


MODERN INDUSTRIAL 12" APPLIANCE / DOOR PULL

HMP-1201

• FITS MATERIALS FROM 1/4" TO 1-1/2" THICK

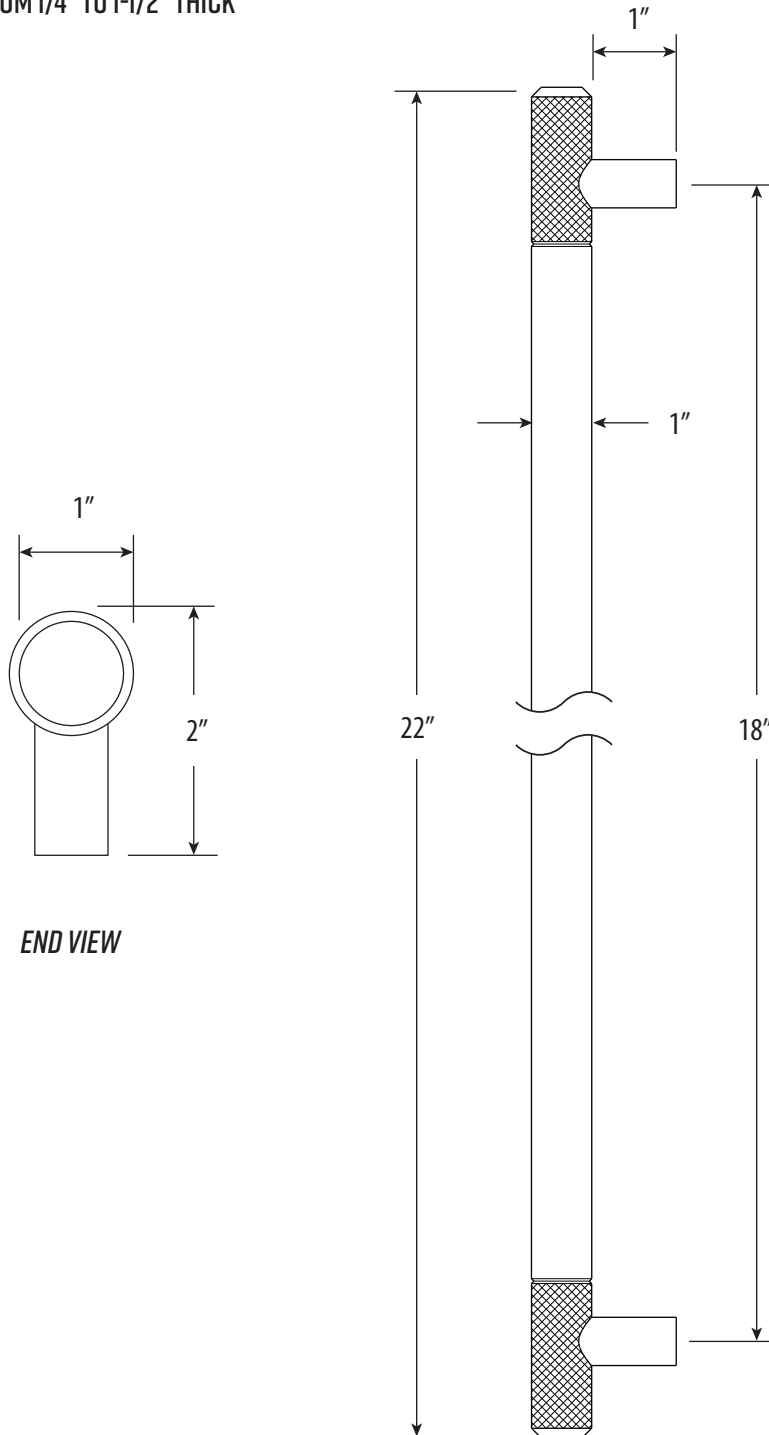


DIMENSIONS MAY VARY AND ARE SUBJECT TO CHANGE. NO RESPONSIBILITY IS ASSUMED FOR USE OF SUPERCEDED OR VOIDED DATA

MODERN INDUSTRIAL 18" APPLIANCE / DOOR PULL

HMP-1800

• FITS MATERIALS FROM 1/4" TO 1-1/2" THICK



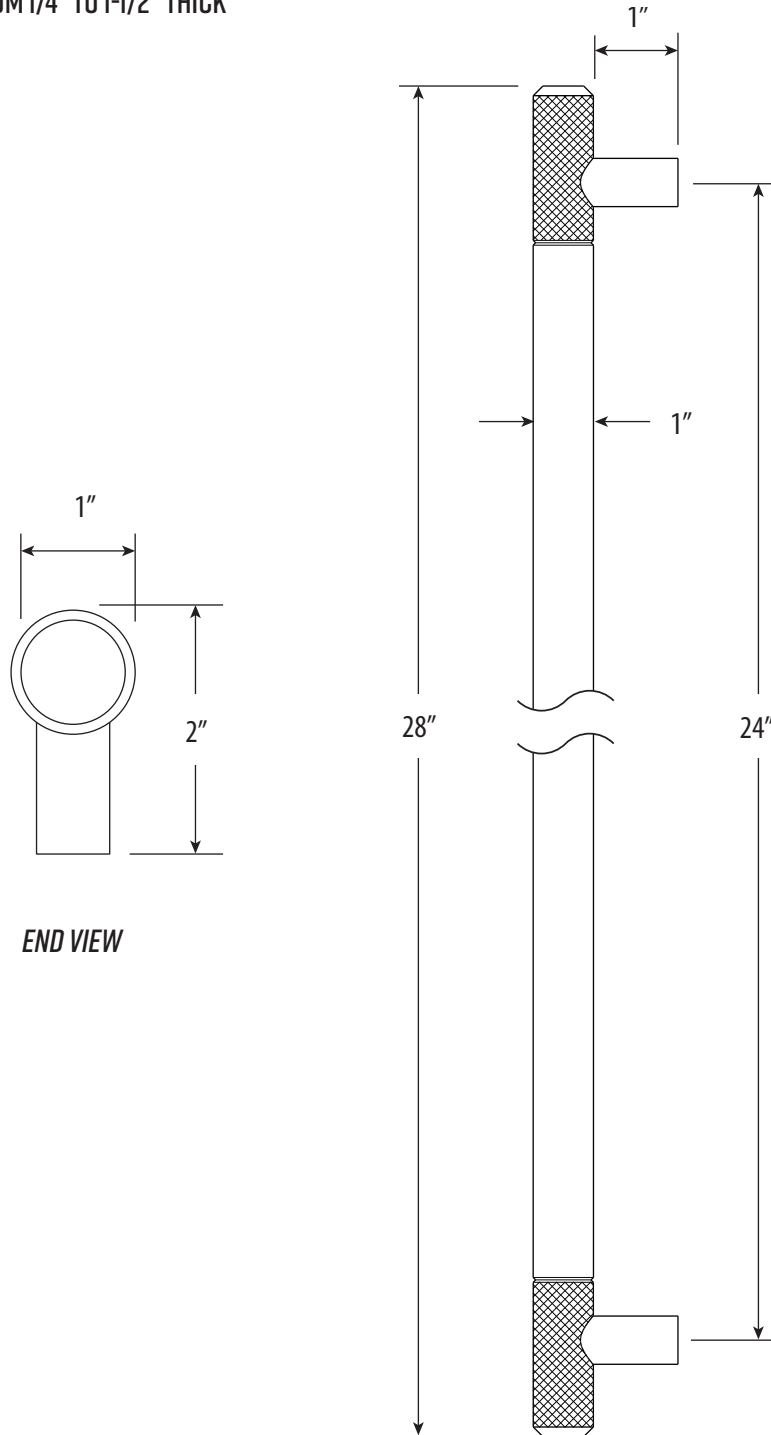
 **ECO BRASS**  
HIGH PERFORMANCE LEAD FREE BRASS

DIMENSIONS MAY VARY AND ARE SUBJECT TO CHANGE. NO RESPONSIBILITY IS ASSUMED FOR USE OF SUPERCEDED OR VOIDED DATA

MODERN INDUSTRIAL 24" APPLIANCE / DOOR PULL

HMP-2400

• FITS MATERIALS FROM 1/4" TO 1-1/2" THICK



END VIEW

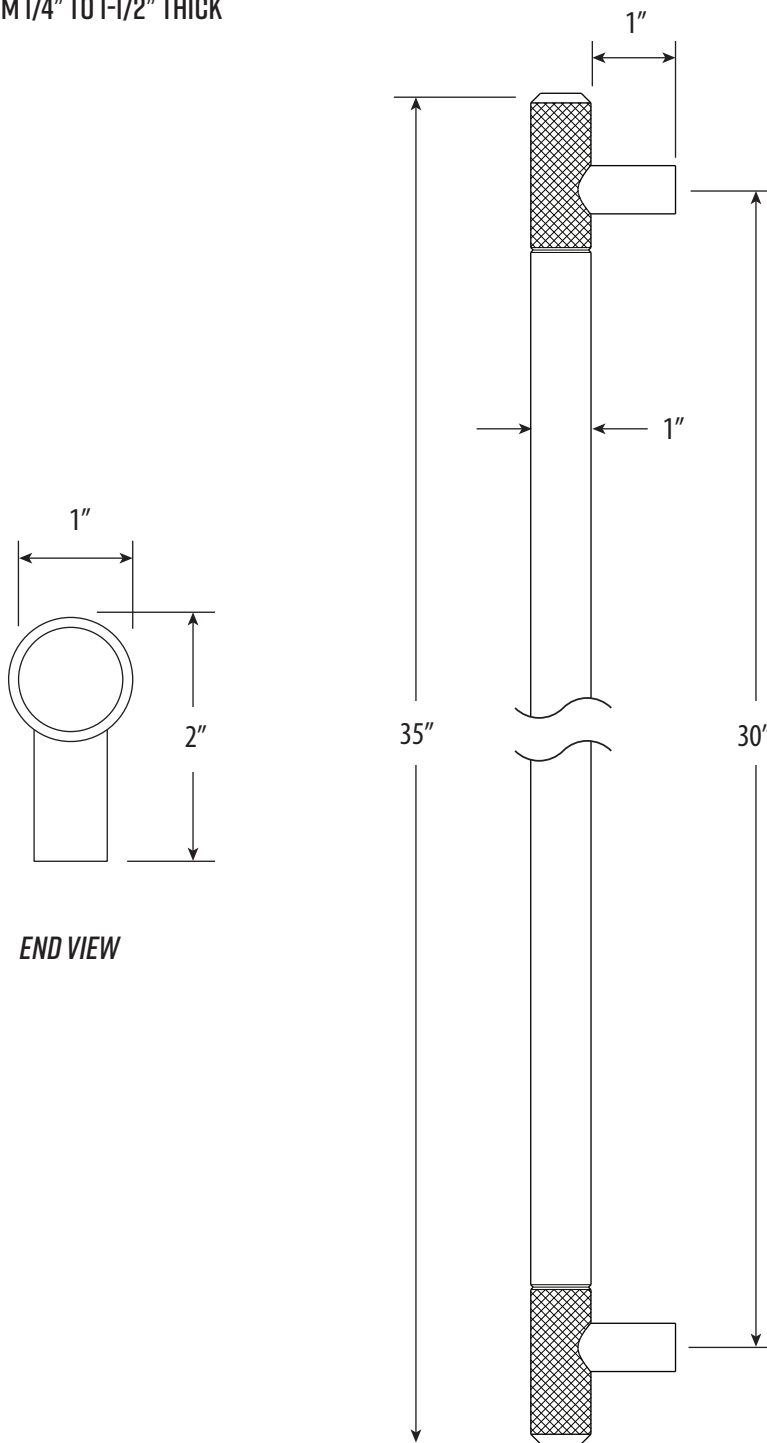
 **ECO BRASS**  
HIGH PERFORMANCE LEAD FREE BRASS

DIMENSIONS MAY VARY AND ARE SUBJECT TO CHANGE. NO RESPONSIBILITY IS ASSUMED FOR USE OF SUPERCEDED OR VOIDED DATA

MODERN INDUSTRIAL 30" APPLIANCE / DOOR PULL

HMP-3000

• FITS MATERIALS FROM 1/4" TO 1-1/2" THICK



 **ECO BRASS**  
HIGH PERFORMANCE LEAD FREE BRASS

DIMENSIONS MAY VARY AND ARE SUBJECT TO CHANGE. NO RESPONSIBILITY IS ASSUMED FOR USE OF SUPERCEDED OR VOIDED DATA