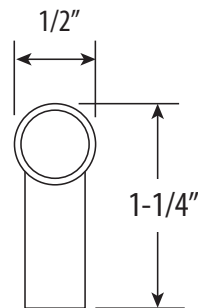
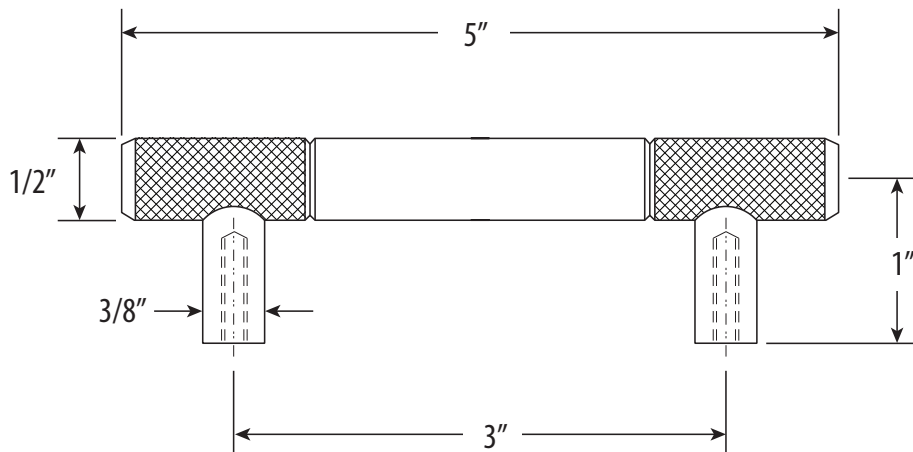


MODERN INDUSTRIAL 3" CABINET PULL

HMP-0300

• FITS MATERIALS FROM 1/4" TO 1-1/2" THICK



END VIEW

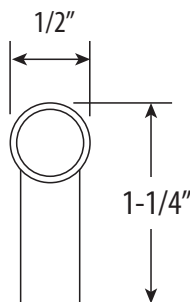
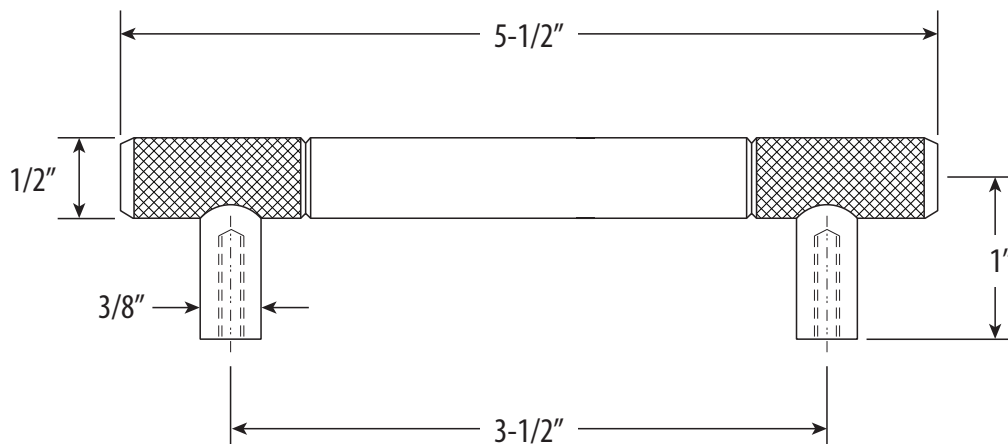


DIMENSIONS MAY VARY AND ARE SUBJECT TO CHANGE. NO RESPONSIBILITY IS ASSUMED FOR USE OF SUPERCEDED OR VOIDED DATA

MODERN INDUSTRIAL 3.5" CABINET PULL

HMP-0350

• FITS MATERIALS FROM 1/4" TO 1-1/2" THICK



END VIEW

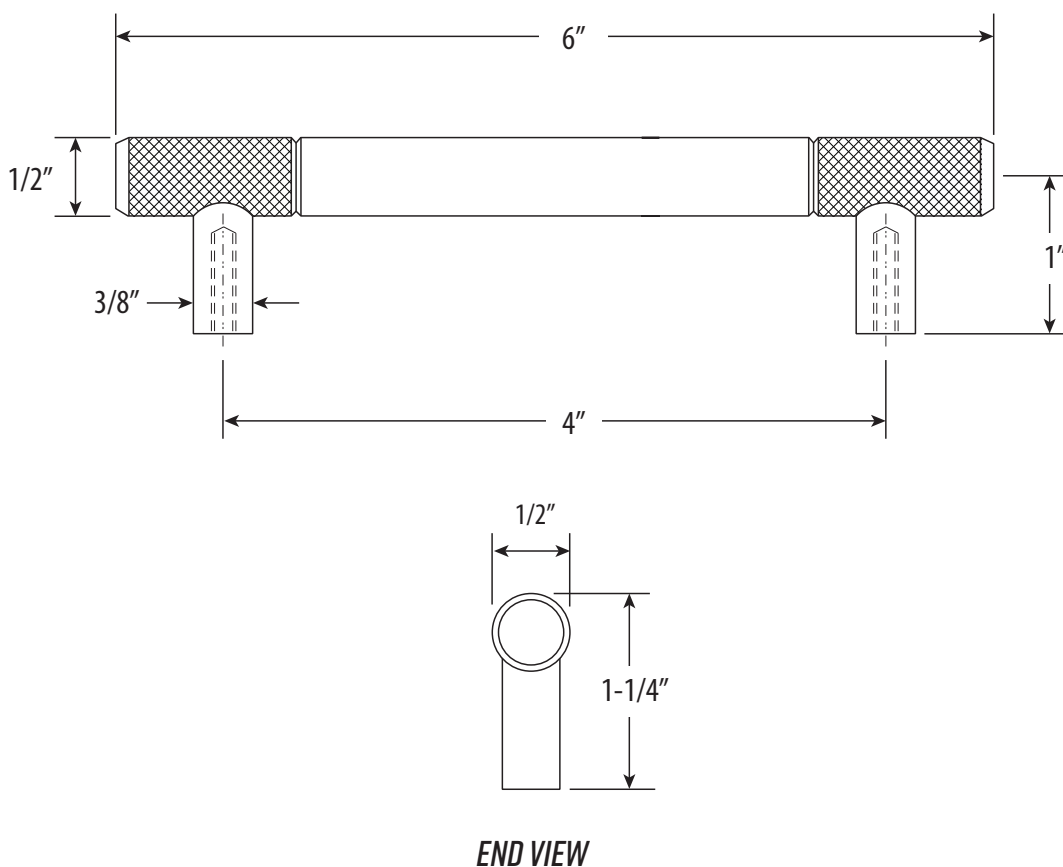


DIMENSIONS MAY VARY AND ARE SUBJECT TO CHANGE. NO RESPONSIBILITY IS ASSUMED FOR USE OF SUPERCEDED OR VOIDED DATA

MODERN INDUSTRIAL 4" CABINET PULL

HMP-0400

• FITS MATERIALS FROM 1/4" TO 1-1/2" THICK



END VIEW

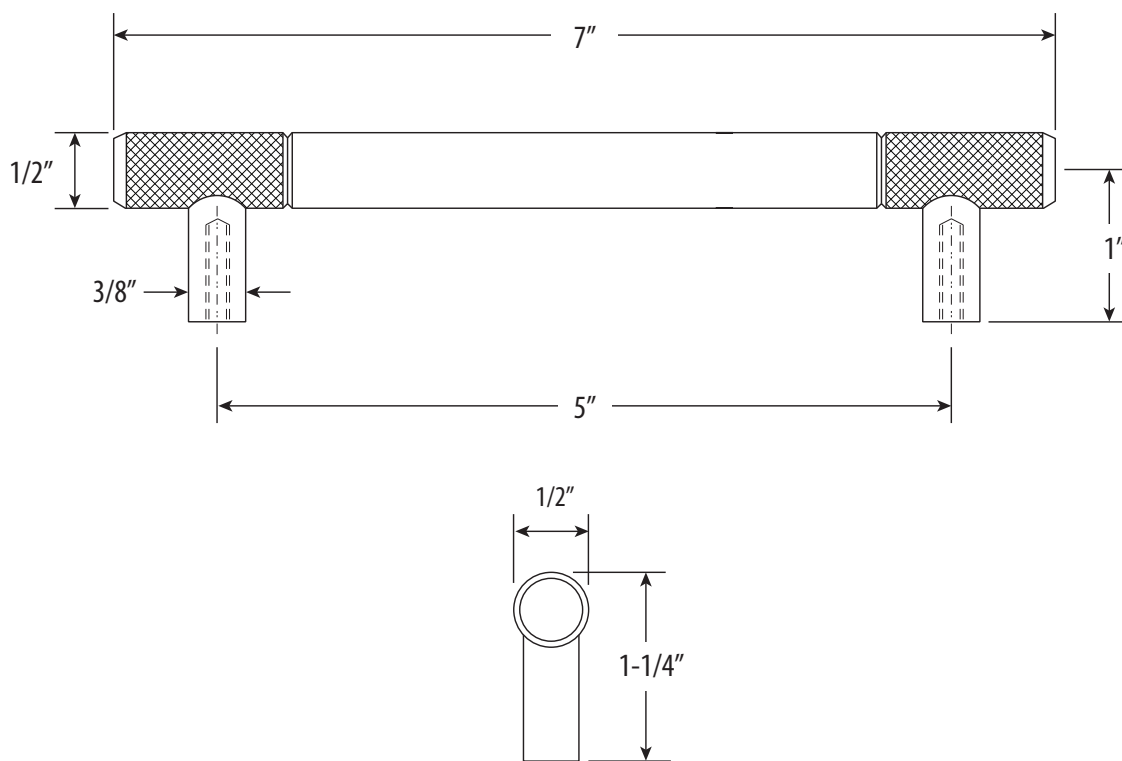


DIMENSIONS MAY VARY AND ARE SUBJECT TO CHANGE. NO RESPONSIBILITY IS ASSUMED FOR USE OF SUPERCEDED OR VOIDED DATA

MODERN INDUSTRIAL 5" CABINET PULL

HMP-0500

• FITS MATERIALS FROM 1/4" TO 1-1/2" THICK



END VIEW

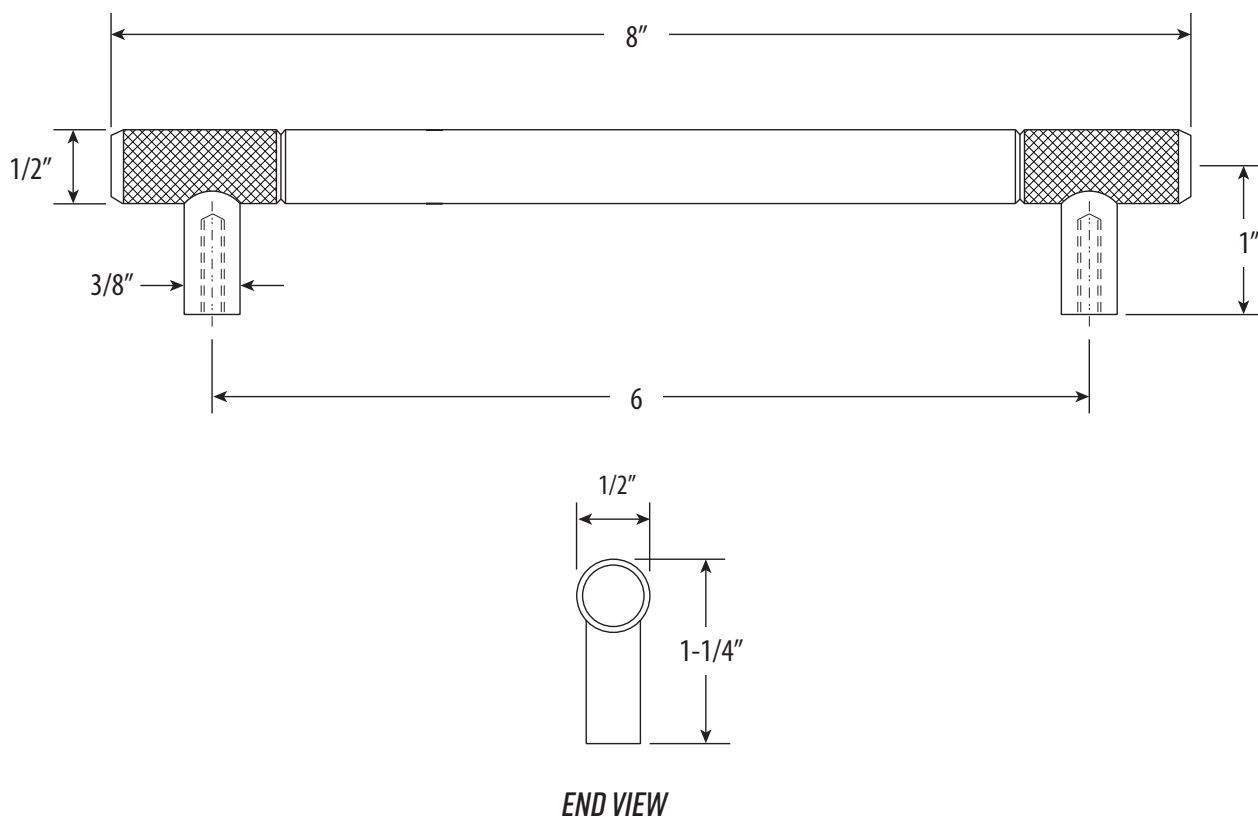


DIMENSIONS MAY VARY AND ARE SUBJECT TO CHANGE. NO RESPONSIBILITY IS ASSUMED FOR USE OF SUPERCEDED OR VOIDED DATA

MODERN INDUSTRIAL 6" CABINET PULL

HMP-0600

• FITS MATERIALS FROM 1/4" TO 1-1/2" THICK

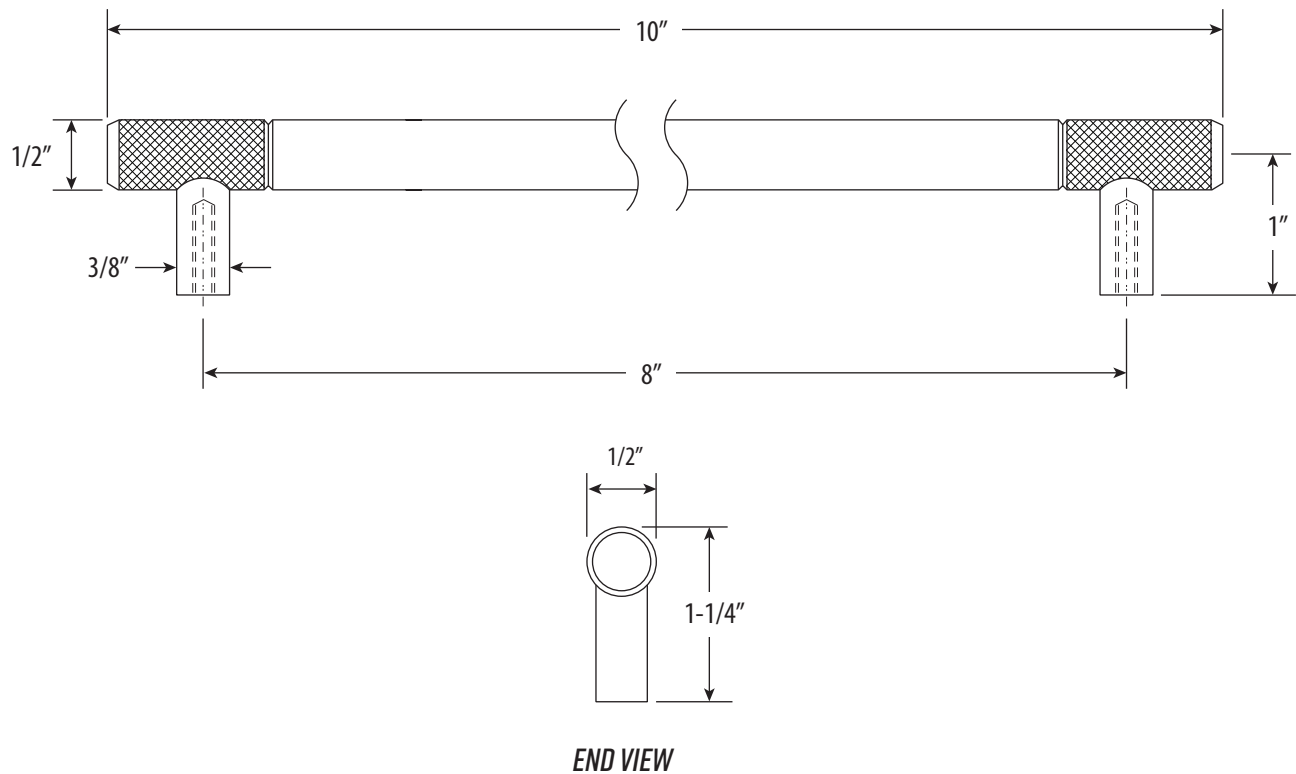


DIMENSIONS MAY VARY AND ARE SUBJECT TO CHANGE. NO RESPONSIBILITY IS ASSUMED FOR USE OF SUPERCEDED OR VOIDED DATA

MODERN INDUSTRIAL 8" CABINET PULL

HMP-0800

• FITS MATERIALS FROM 1/4" TO 1-1/2" THICK



DIMENSIONS MAY VARY AND ARE SUBJECT TO CHANGE. NO RESPONSIBILITY IS ASSUMED FOR USE OF SUPERCEDED OR VOIDED DATA