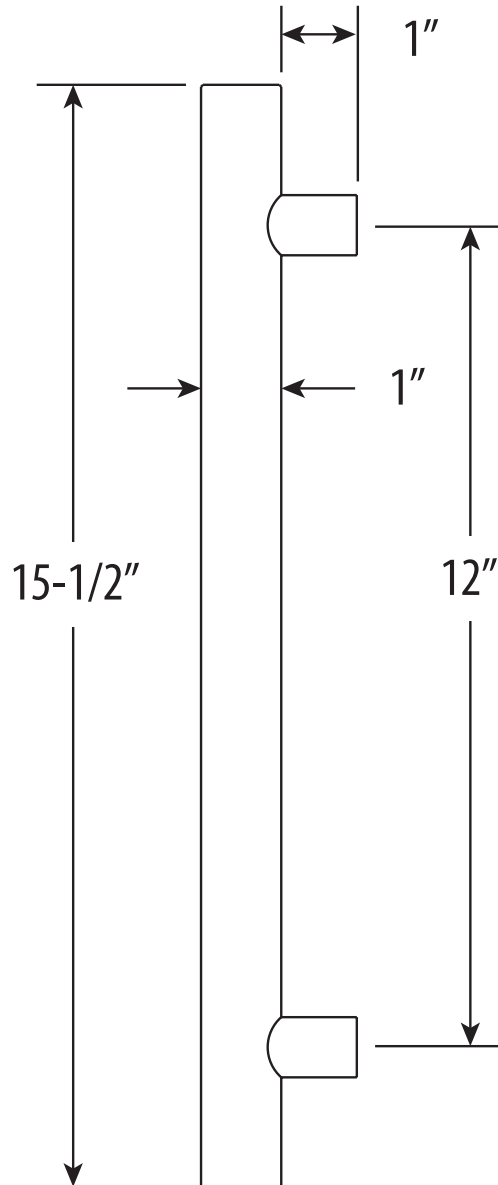


CONTEMPORARY 12" APPLIANCE PULL

HCP-1201

• FITS MATERIALS FROM 1/4" TO 1-1/2" THICK

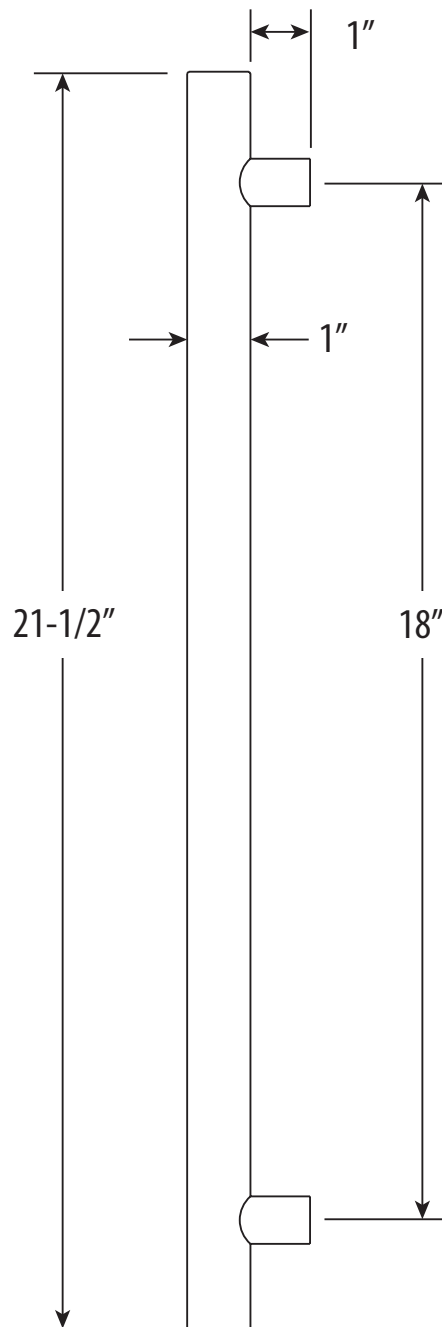


DIMENSIONS MAY VARY AND ARE SUBJECT TO CHANGE. NO RESPONSIBILITY IS ASSUMED FOR USE OF SUPERCEDED OR VOIDED DATA

CONTEMPORARY 18" APPLIANCE PULL

HCP-1800

• FITS MATERIALS FROM 1/4" TO 1-1/2" THICK

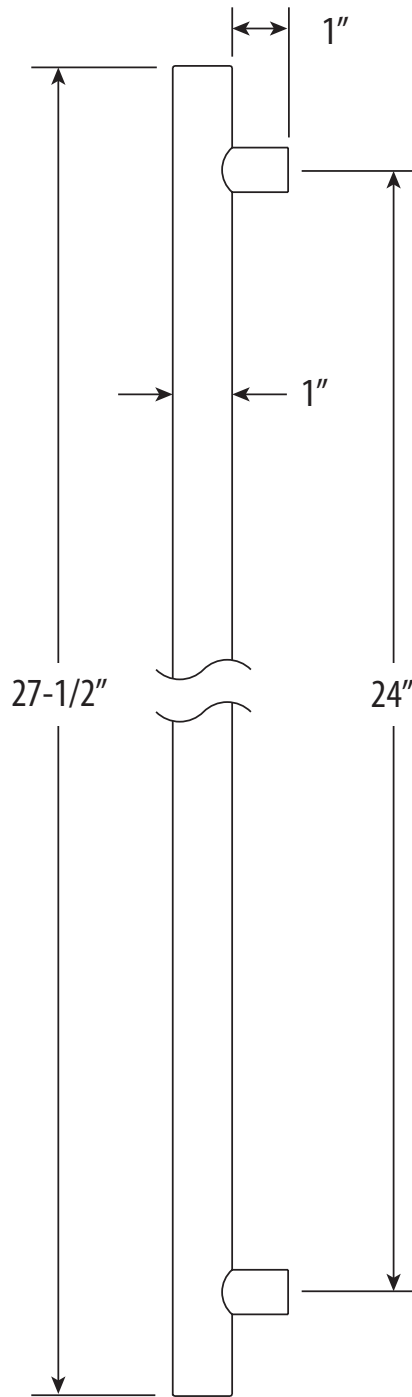


DIMENSIONS MAY VARY AND ARE SUBJECT TO CHANGE. NO RESPONSIBILITY IS ASSUMED FOR USE OF SUPERCEDED OR VOIDED DATA

CONTEMPORARY 24" APPLIANCE PULL

HCP-2400

• FITS MATERIALS FROM 1/4" TO 1-1/2" THICK



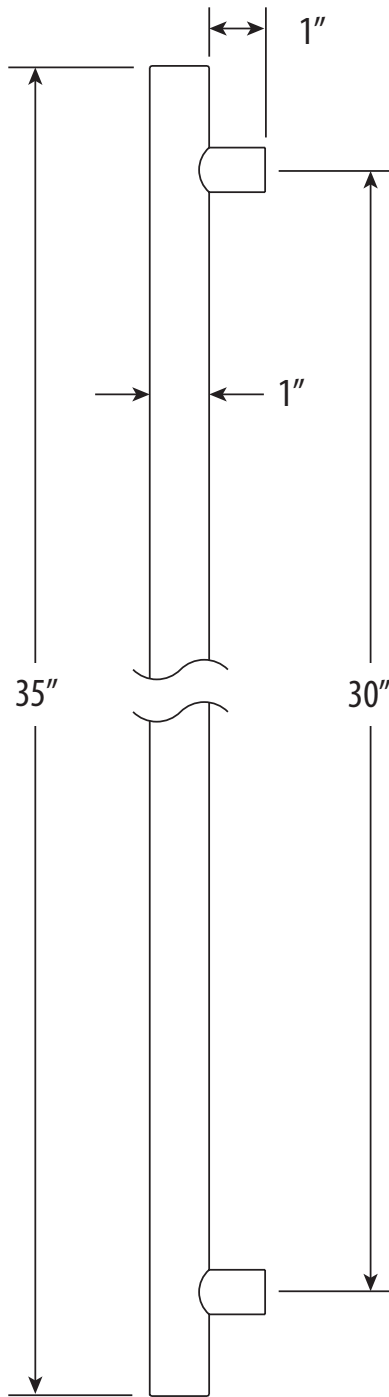
 **ECO BRASS**
HIGH PERFORMANCE LEAD FREE BRASS

DIMENSIONS MAY VARY AND ARE SUBJECT TO CHANGE. NO RESPONSIBILITY IS ASSUMED FOR USE OF SUPERCEDED OR VOIDED DATA

CONTEMPORARY 30" APPLIANCE PULL

HCP-3000

• FITS MATERIALS FROM 1/4" TO 1-1/2" THICK



DIMENSIONS MAY VARY AND ARE SUBJECT TO CHANGE. NO RESPONSIBILITY IS ASSUMED FOR USE OF SUPERCEDED OR VOIDED DATA