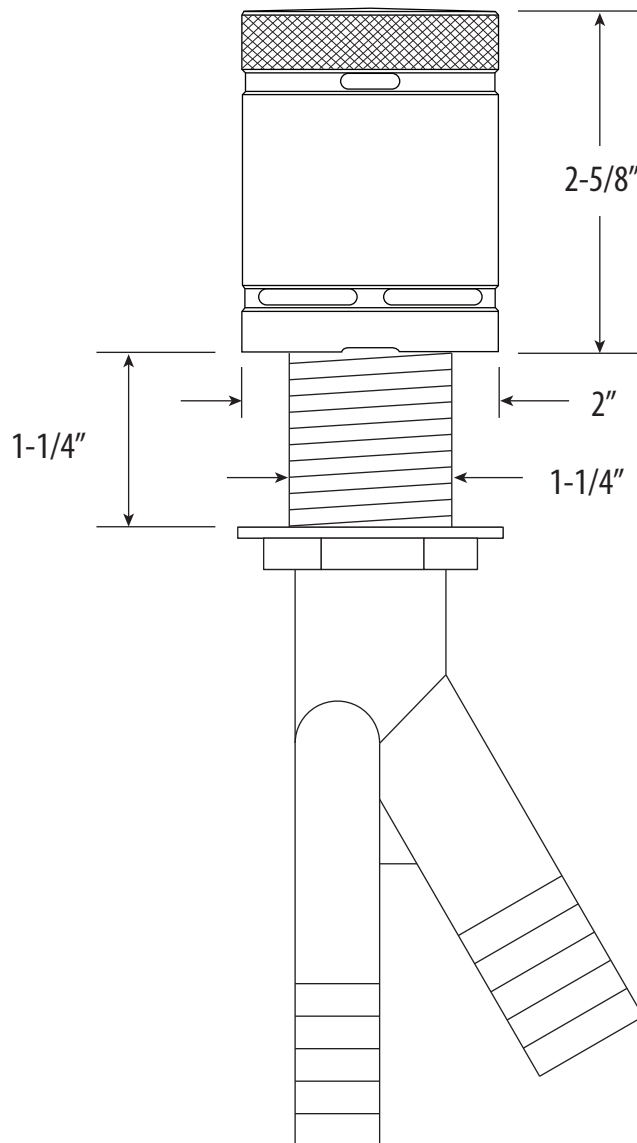


INDUSTRIAL SINGLE PORT AIR GAP

9020

- MAX COUNTER THICKNESS 1-1/4"
- MINIMUM INSTALL HOLE SIZE 1-1/2"



DIMENSIONS MAY VARY AND ARE SUBJECT TO CHANGE. NO RESPONSIBILITY IS ASSUMED FOR USE OF SUPERCEDED OR VOIDED DATA

