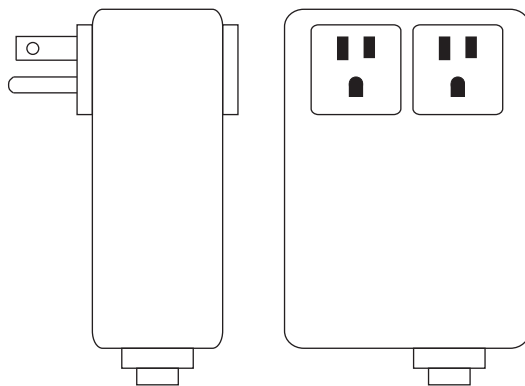
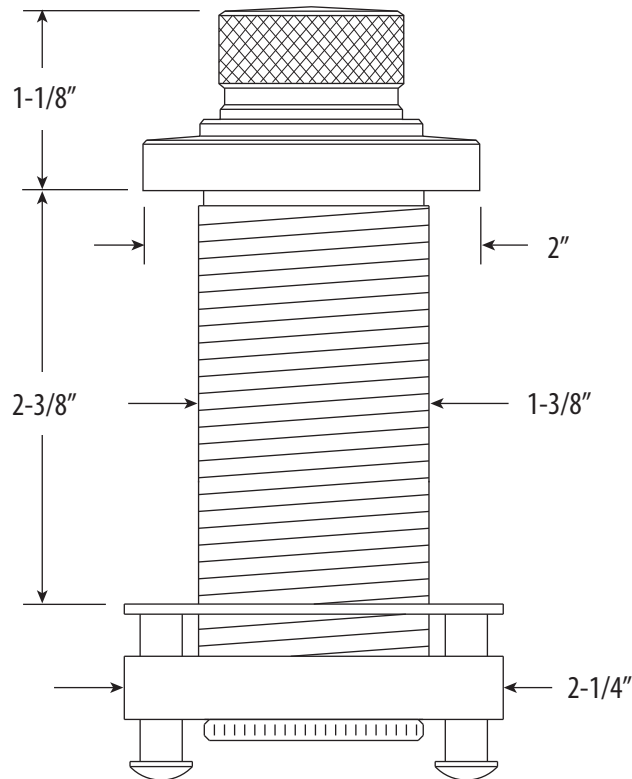


INDUSTRIAL AIR SWITCH

9010

- MAX COUNTER THICKNESS 2-5/8"
- INSTALL HOLE SIZE ADAPTABLE UP TO 1-1/2"



Connection Box
 4-1/4"H x 3"W x 2"D
 120v 15Amp 1Hp
 9-1/2' Tubing included

DIMENSIONS MAY VARY AND ARE SUBJECT TO CHANGE. NO RESPONSIBILITY IS ASSUMED FOR USE OF SUPERCEDED OR VOIDED DATA

