

YORKTOWN KITCHEN FAUCET - 3 PIECE SUITE

Model # 8500-3



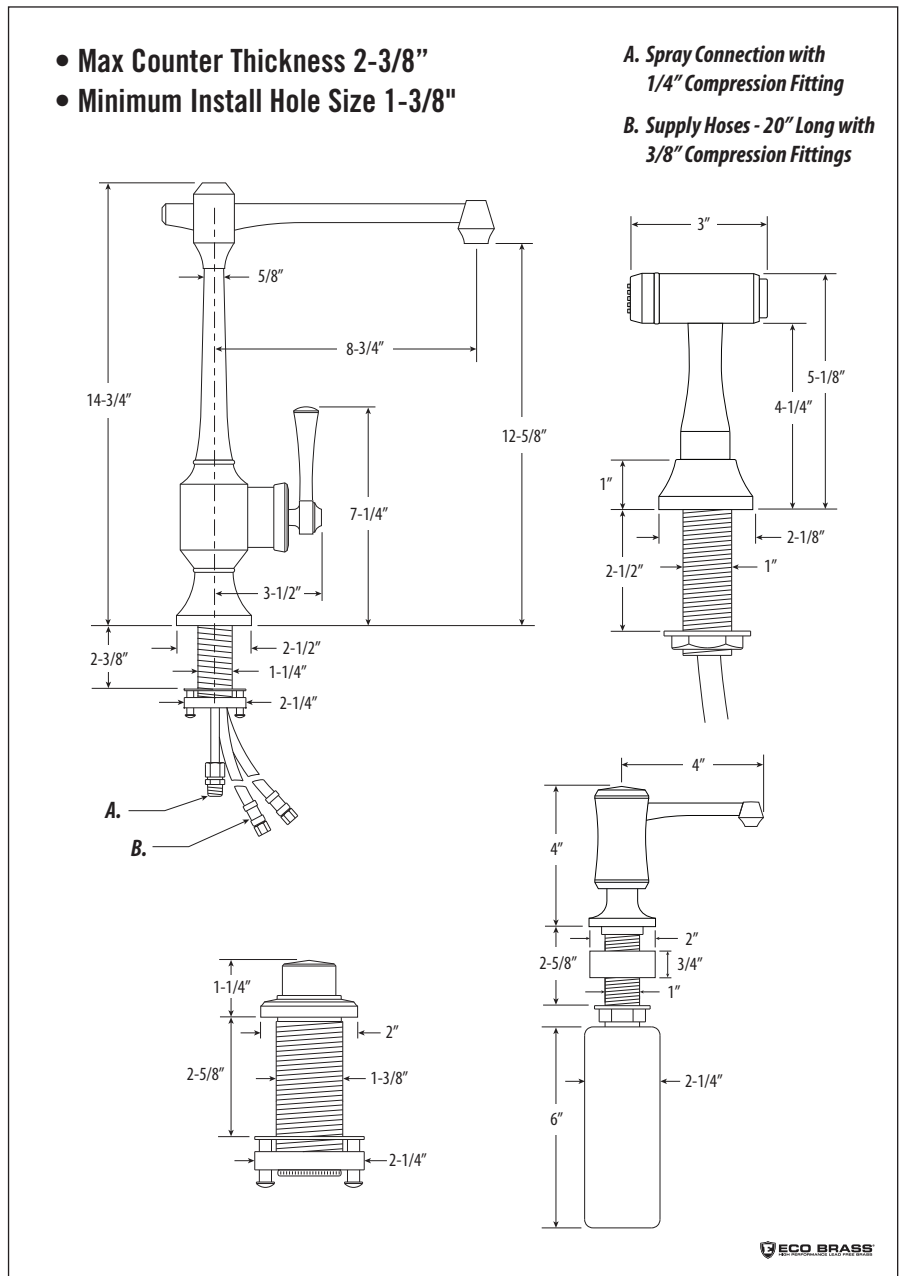
PRODUCT DESCRIPTION

- Suite includes faucet, side spray, soap/lotion dispenser and air switch.
- Part of the Yorktown Transitional Suite.
- Angular straight spout with **8-3/4"** reach.
- Spout swivels 360 degrees.
- Equipped with diverter for optional side spray.
- Innovative handle tension system prevents handle sagging.
- Handle adjusts **22.5 degrees** in either direction for backsplash clearance.
- Single lever control with Hot/Cold ceramic disk valve cartridge.
- Compatible with Reverse Osmosis filtration systems.
- 1.75 gpm maximum flow rate.
- Aerated stream.
- Solid brass construction.
- Reinforced braided connection hoses.
- Lifetime functional warranty.
- Made in the USA.

CODES/STANDARDS APPLICABLE

Specified model meets or exceeds the following:

- ASME A112.18.1
- CSA B125.1
- NSF 61, 372
- CALGreen



AVAILABLE IN 30 FINISHES + SOLID 316 MARINE GRADE STAINLESS STEEL

Antique Brass - AB
 Antique Bronze - ABZ
 Antique Copper - AC
 American Bronze - AMB
 Antique Pewter - AP
 Gloss Black - GB
 Black Nickel - BLN
 Black-Oil Rubbed Bronze - ORB
 Caribbean Bronze - CB
 Chocolate Bronze - CHB
 Chrome - CH

Classic Bronze - CLZ
 Distressed Antique Brass - DAB
 Distressed Antique Copper - DAC
 Distressed American Bronze - DAMB
 Distressed Antique Pewter - DAP
 Matte Black - MB
 Polished Brass - PB
 Polished Copper - PC
 Polished Gold - PG
 Polished Nickel - PN
 Satin Brass - SB

Satin Chrome - SC
 Satin Gold - SG
 Satin Nickel - SN
 Stainless Steel - SS*
 Tuscan Brass - TB
 Unlaquered Polished Brass - UPB
 Venetian Bronze - VB
 Weathered Brass - WB
 Weathered Copper - WC