

YORKTOWN KITCHEN FAUCET - 2 PIECE SUITE

Model # 8500-2



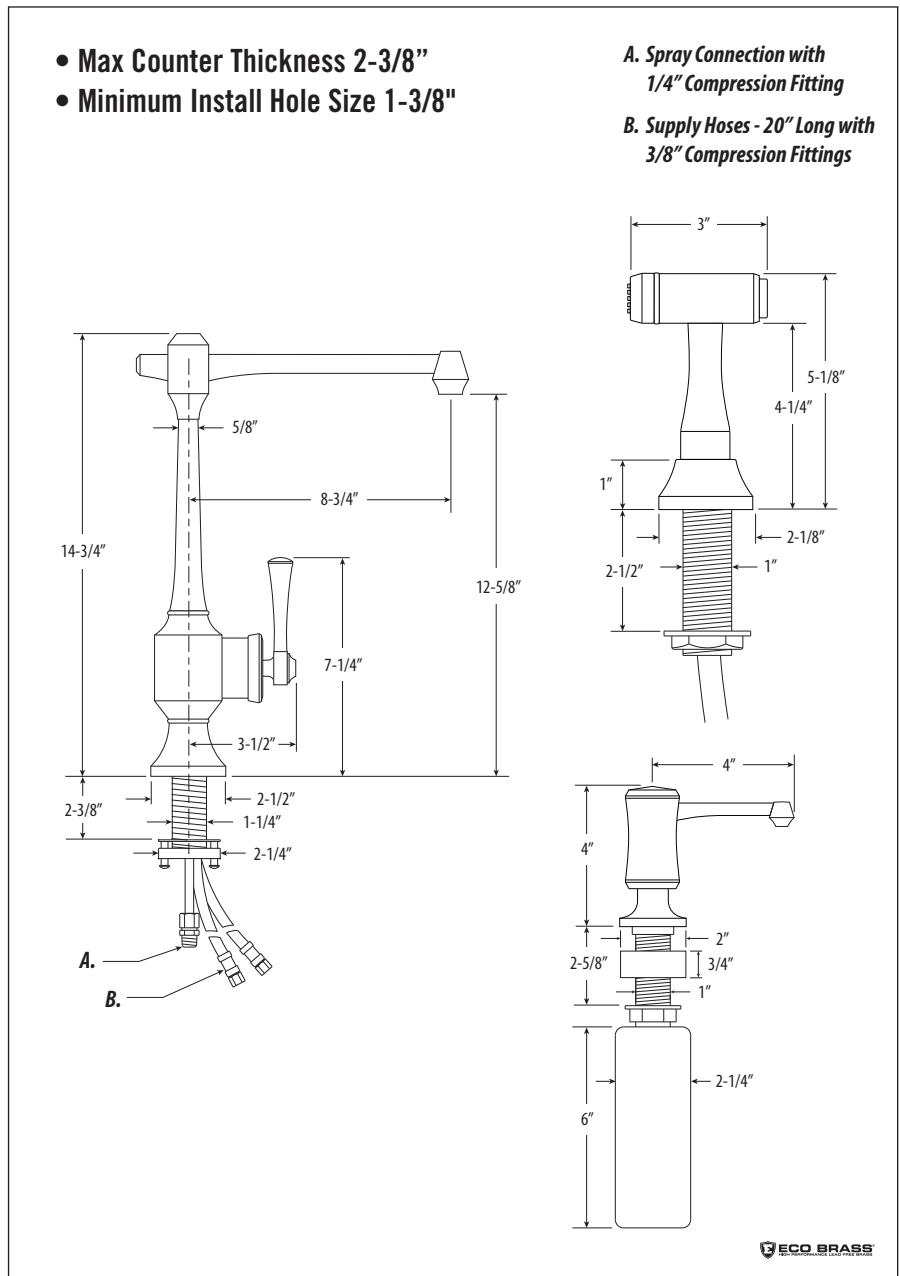
PRODUCT DESCRIPTION

- Suite includes faucet, side spray and soap/lotion dispenser.
- Part of the Yorktown Transitional Suite.
- Angular straight spout with **8-3/4"** reach.
- Spout swivels 360 degrees.
- Equipped with diverter for optional side spray.
- Innovative handle tension system prevents handle sagging.
- Handle adjusts **22.5 degrees** in either direction for backsplash clearance.
- Single lever control with Hot/Cold ceramic disk valve cartridge.
- Compatible with Reverse Osmosis filtration systems.
- 1.75 gpm maximum flow rate.
- Aerated stream.
- Solid brass construction.
- Reinforced braided connection hoses.
- Lifetime functional warranty.
- Made in the USA.

CODES/STANDARDS APPLICABLE

Specified model meets or exceeds the following:

- ASME A112.18.1
- CSA B125.1
- NSF 61, 372
- CALGreen



AVAILABLE IN 30 FINISHES + SOLID 316 MARINE GRADE STAINLESS STEEL

Antique Brass - AB
Antique Bronze - ABZ
Antique Copper - AC
American Bronze - AMB
Antique Pewter - AP
Gloss Black - GB
Black Nickel - BLN
Black-Oil Rubbed Bronze - ORB
Caribbean Bronze - CB
Chocolate Bronze - CHB
Chrome - CH

Classic Bronze - CLZ
Distressed Antique Brass - DAB
Distressed Antique Copper - DAC
Distressed American Bronze - DAMB
Distressed Antique Pewter - DAP
Matte Black - MB
Polished Brass - PB
Polished Copper - PC
Polished Gold - PG
Polished Nickel - PN
Satin Brass - SB

Satin Chrome - SC
Satin Gold - SG
Satin Nickel - SN
Stainless Steel - SS*
Tuscan Brass - TB
Unlaquered Polished Brass - UPB
Venetian Bronze - VB
Weathered Brass - WB
Weathered Copper - WC