

BEFORE YOU BEGIN YOUR INSTALLATION:



Turn off water supply.

REQUIRED TOOLS:



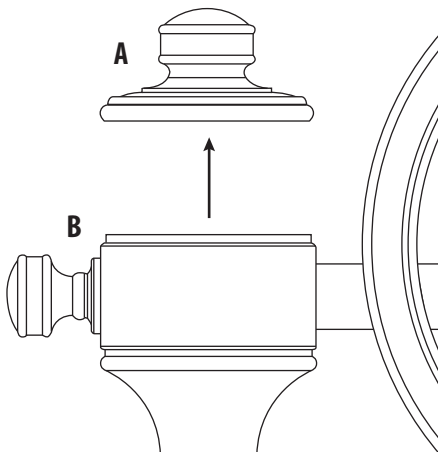
Small Standard Screwdriver



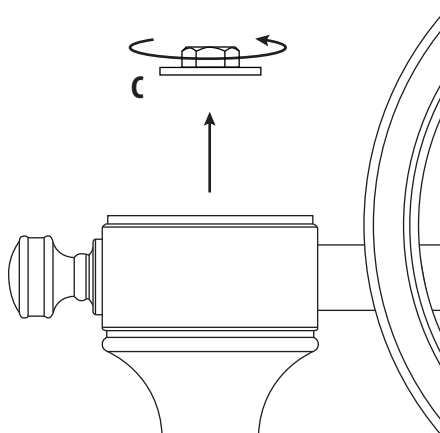
5/8" 6-Point
Socket Wrench

1.

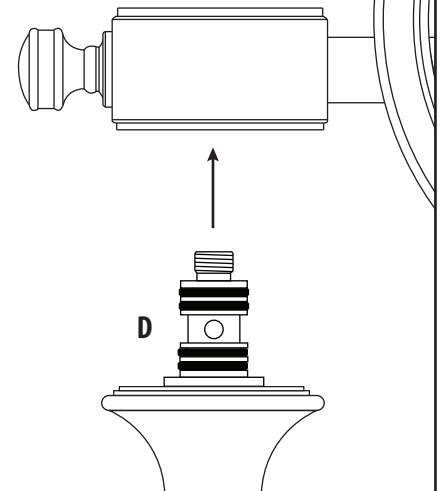
Turn off water supply. Pull cap (A) straight up and remove from spout arm (B). You may have to twist it a little to remove.


2.

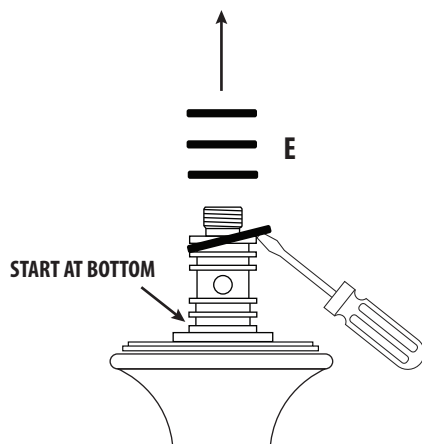
Using a socket wrench, remove retainer nut (C) from top of spout swivel.


3.

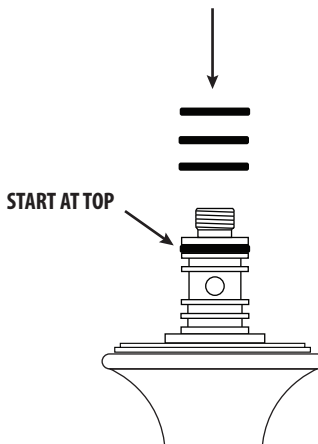
Slide spout arm straight up and remove from spout swivel (D).


4.

Starting from the bottom, use a standard screwdriver to pry and remove old o-rings (E) from spout swivel.


5.

Starting from the top, slide and place all four new o-rings into spout swivel grooves.


6.

Reverse assemble the spout arm, retainer nut and cap. Turn on water supply and check for leaks.

