

TWO HANDLED KITCHEN FAUCET INSTALLATION INSTRUCTIONS

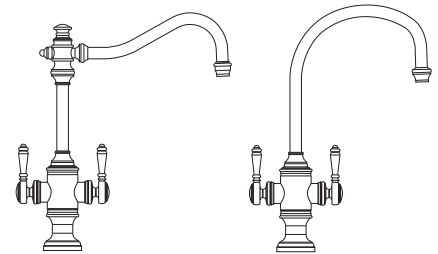
Model #s:

8010-12

8010-18

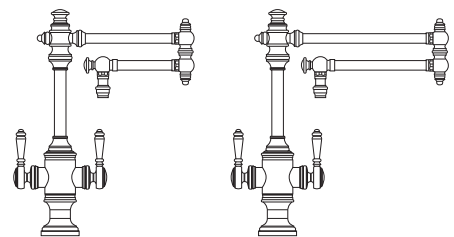
8020

8030



8020

8030



8010-12

8010-18

BEFORE YOU BEGIN YOUR INSTALLATION:



Turn off water supply.



Observe all local plumbing codes.



Inspect waste and water supplies for signs of damage. Replace as necessary.



DO NOT use petroleum based products on this faucet.

REQUIRED TOOLS:



1. Adjustable Wrench



2. Phillips Screwdriver

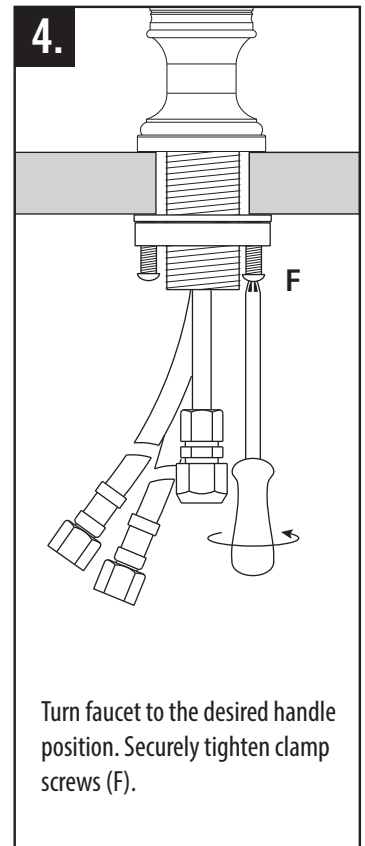
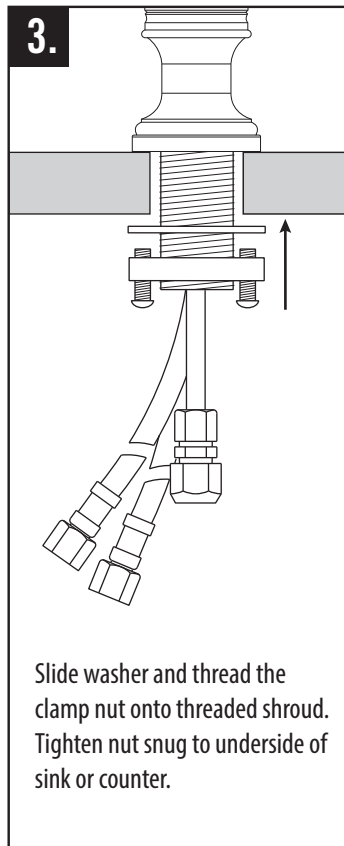
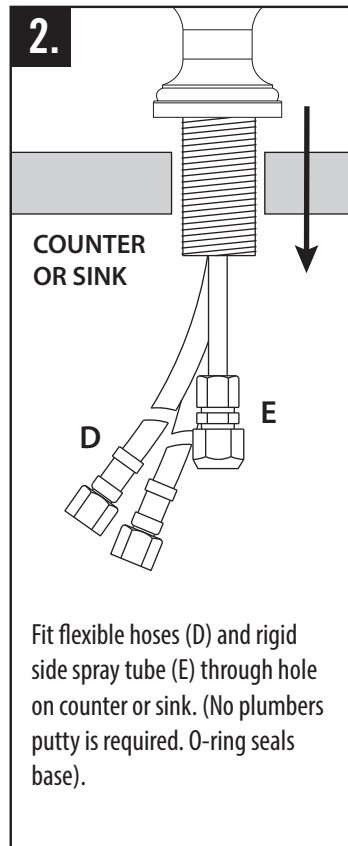
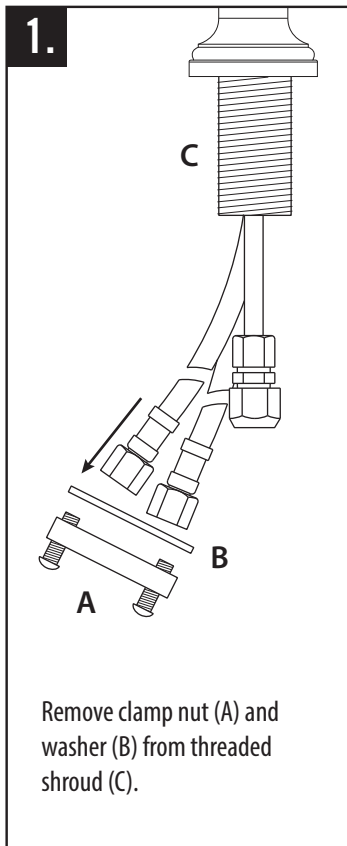
PARTS INCLUDED:

**XX represents finish*

HK-THC-XX*
HANDLE BUTTON KIT

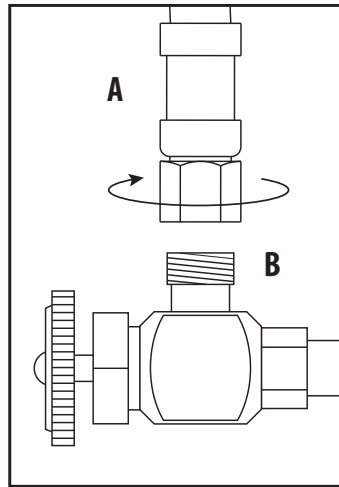
HK-USM1250
UNDER SINK MOUNTING HARDWARE KIT (1-1/4")

FAUCET INSTALLATION



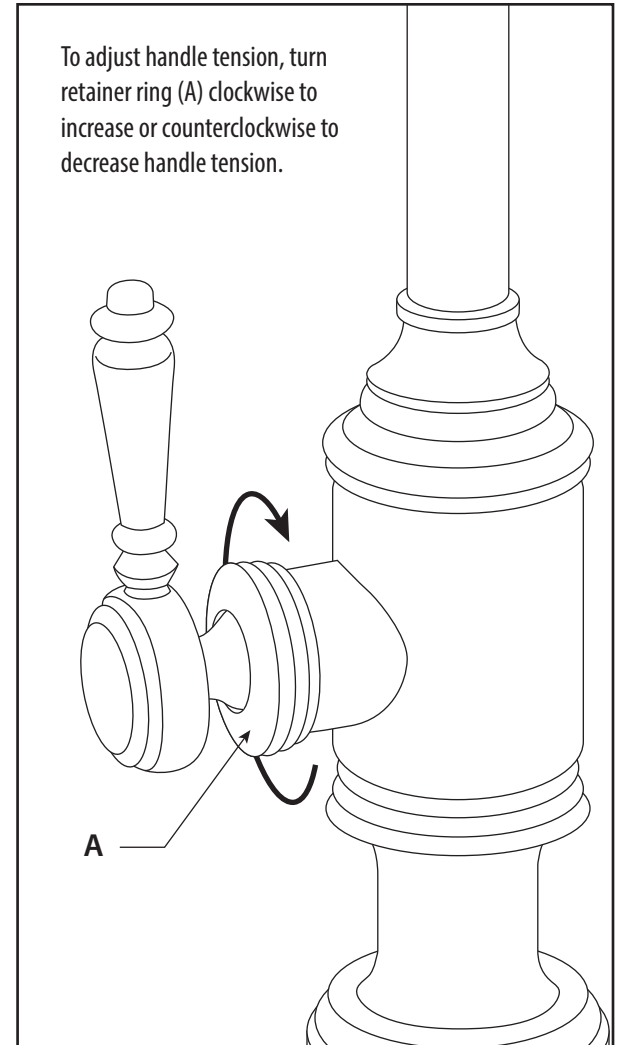
CONNECTING SUPPLY HOSES

1. Before connecting supply hoses, flush supply stops to clear any debris. Place a bucket underneath stops and run water for 5 to 10 seconds. Turn water off.
2. Carefully position hot and cold supplies so they will not interfere with other hoses.
3. Connect supply hoses (A) to supply stops (B). DO NOT use teflon tape or plumbers putty. Turn water back on and check for leaks.



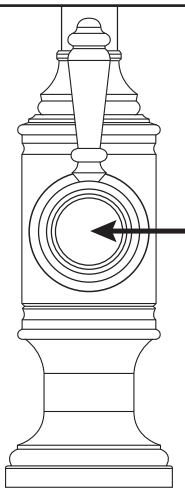
HOW TO ADJUST HANDLE TENSION

To adjust handle tension, turn retainer ring (A) clockwise to increase or counterclockwise to decrease handle tension.



OPTIONAL DECORATIVE BUTTONS

4 HANDLE BUTTONS INCLUDED: 2 MATCHING FINISH CAPS AND 2 CERAMIC HOT AND COLD BUTTONS.



COMPASS HOT AND COLD

FINISH MATCH

1. To remove, place a small standard screwdriver in the slot at the bottom of metal ring that surrounds the handle button. Gently pry the cap from faucet handle.
2. To replace, position button and snap in with thumb.

CONNECTING SIDE SPRAY (OPTIONAL)

1.

COUNTER OR SINK

Insert side spray base (A) into hole on your sink or counter. No plumbers putty is required. O-ring will seal base. Screw on attaching nut (B) and securely tighten.

2.

Slide sidespray hose (C) through side spray base.

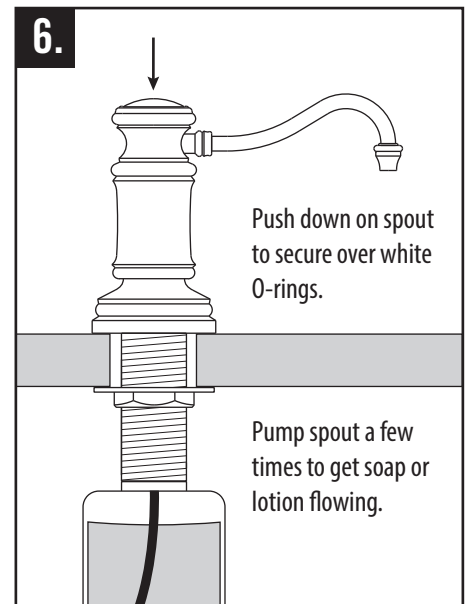
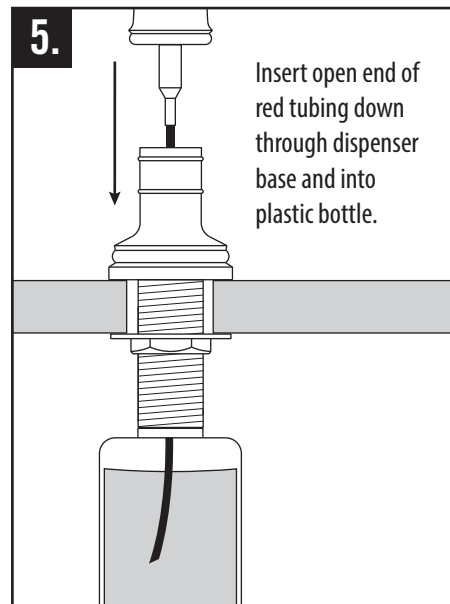
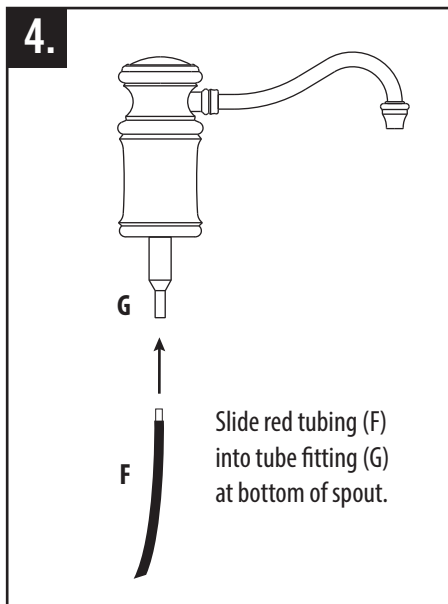
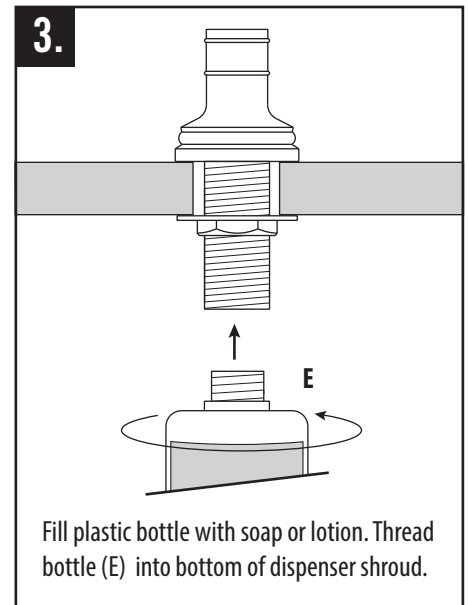
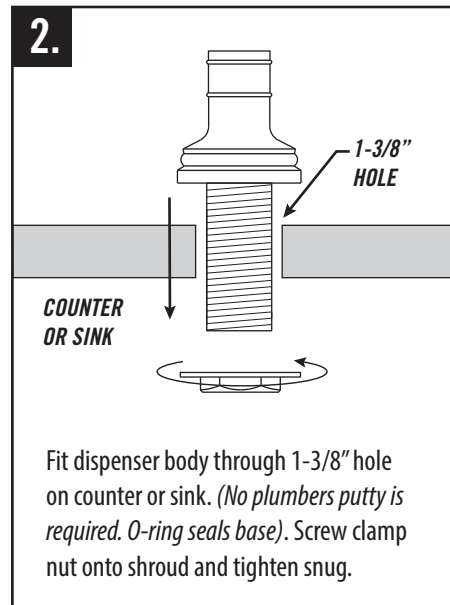
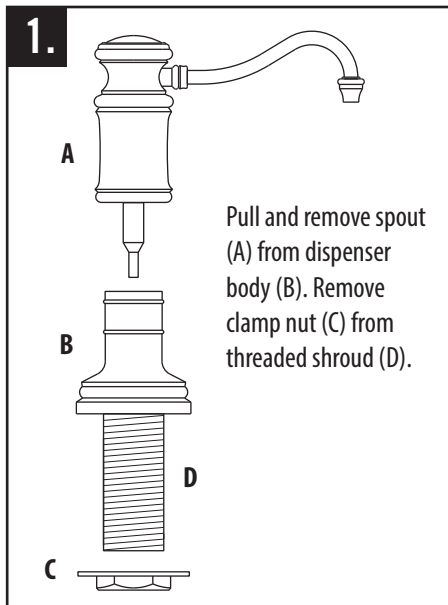
3.

Turn off water supply. On the faucet, remove cap (D) from end of sidespray hose tube (E).

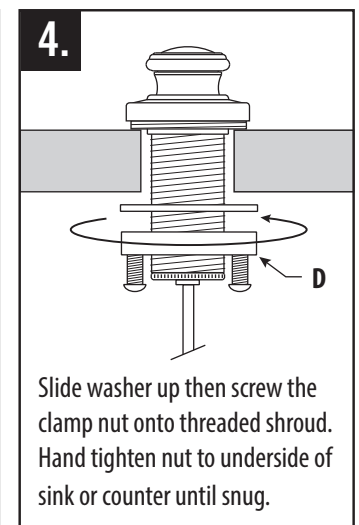
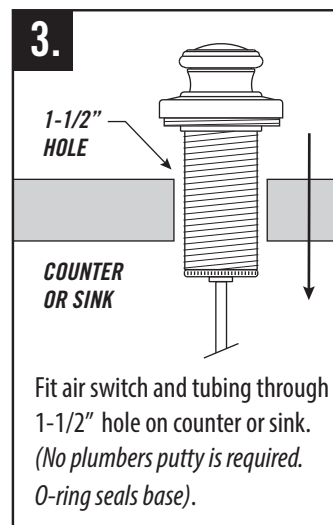
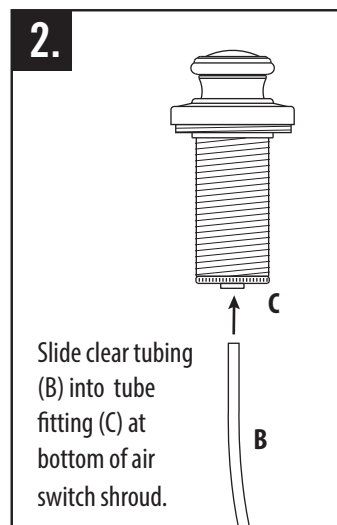
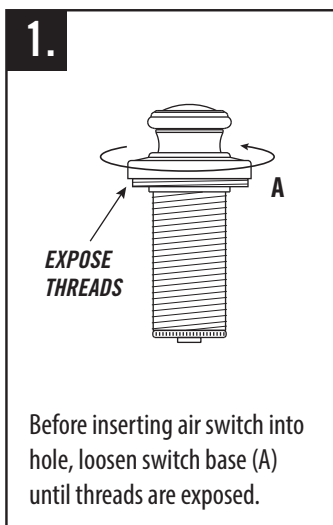
4.

Connect and tighten sidespray hose to faucet hose tube.

INSTALL SOAP/LOTION DISPENSER (OPTIONAL)



INSTALL AIR SWITCH (OPTIONAL)



5.

Tighten clamp screws (E) securely with screwdriver.

6.

Hand tighten switch base back down to cover threads.

7.

Slide other end of tubing (F) into tube fitting at bottom of control box (G).

8.

GARBAGE DISPOSAL

Plug control box into undersink electrical outlet. Plug garbage disposal into either dual outlet.

INSTALL SINGLE PORT AIR GAP (OPTIONAL)

1.

Twist and pull air gap cover (A) off of upper cap nut (B). Unscrew and remove cap nut from piping (C).

2.

Unscrew and remove top clamp nut (D) from both threadings on piping. Slide gasket (E) off piping and remove.

3.

From underneath countertop, fit air gap piping upward through 1-1/2" hole.

4.

Slide gasket down and screw top clamp nut back onto piping. Adjust the two clamp nuts to fit countertop thickness. (No plumbers putty is required).

5.

Screw cap nut back onto top of piping until snug. Slide air gap over cap nut and top clamp nut. Be sure to have overflow holes (F) facing sink.

6.

Slide small intake hose (G) over small connector. Slide larger drainage hose (H) over large connector. Tighten hose clamps. Turn on water supply and check for leaks.

INSTALL DUAL PORT AIR GAP (OPTIONAL)

1.

Pull air gap (A) off of upper cap nut (B). Unscrew and remove cap nut from piping (C).

2.

Unscrew and remove top clamp nut (D) from both threadings on piping. Slide gasket (E) off piping and remove.

3.

From underneath counter top, fit air gap piping upward through 1-1/2" hole.

4.

Slide gasket down and screw top clamp nut back onto piping. Adjust the two clamp nuts to fit countertop thickness. *(No plumbers putty is required).*

5.

Screw cap nut back onto top of piping until snug. Slide air gap over cap nut and top clamp nut. Be sure to have overflow holes (F) facing sink.

6.

Slide small intake hose (G) over small connector. Slide larger drainage hose (H) over large connector. Tighten hose clamps.

Third intake hole (J) has 3 options. Use hose connector (K) for additional dishwasher, use filtration hose connector (L) for reverse osmosis unit, or use solid cap (M) to plug third hole.

