

# TOWSON BRIDGE SPOUT REPLACEMENT

Model #s 6100-12, 6100-18, 6150-12, 6150-18

## BEFORE YOU BEGIN YOUR INSTALLATION:



Turn off water supply.

**REQUIRED TOOLS:**

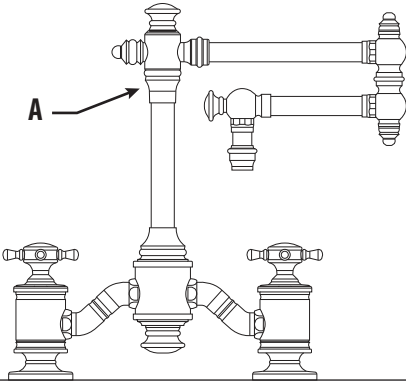


Channel Locks



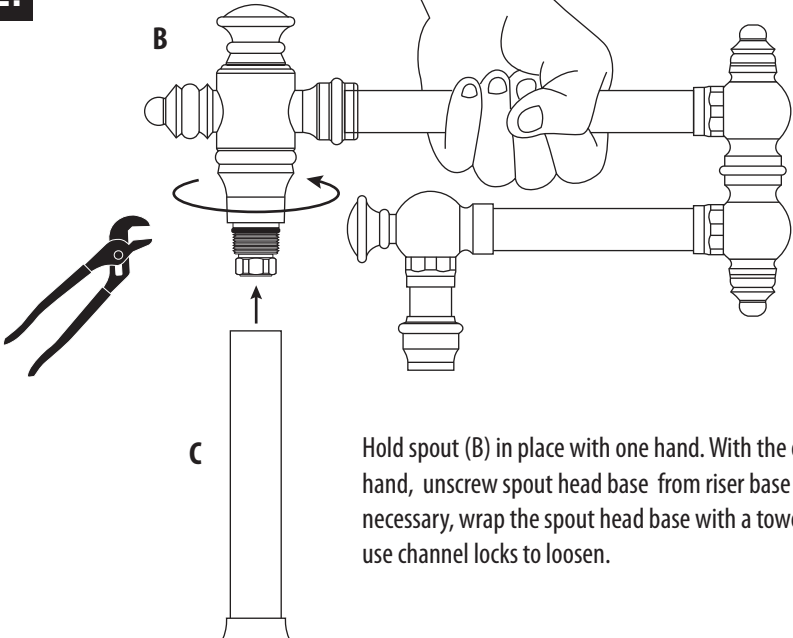
Cloth or Towel

**1.**



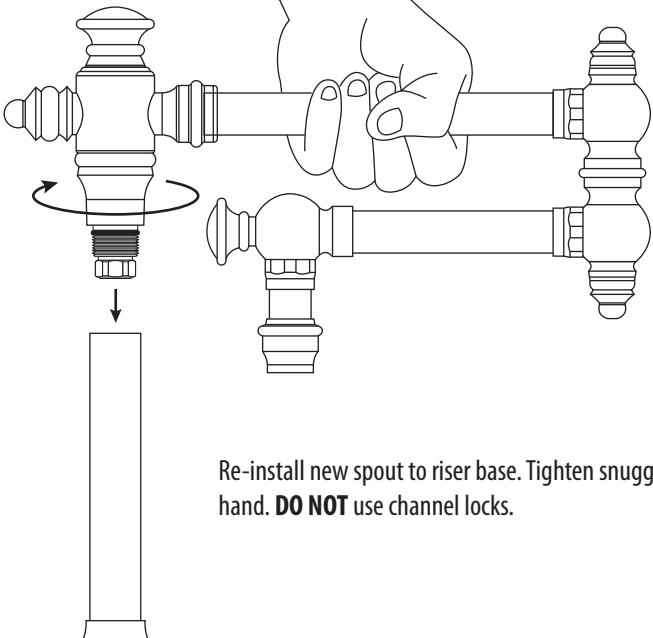
Turn off water supply. Open faucet to relieve pressure. Locate spout head base (A).

**2.**



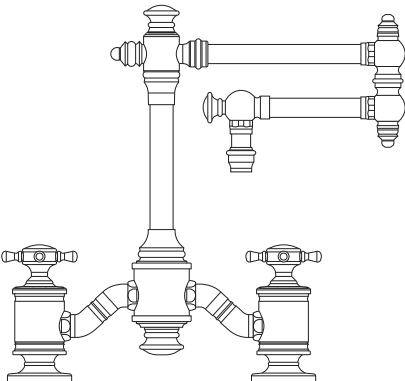
Hold spout (B) in place with one hand. With the other hand, unscrew spout head base from riser base (C). If necessary, wrap the spout head base with a towel and use channel locks to loosen.

**3.**



Re-install new spout to riser base. Tighten snugly by hand. **DO NOT** use channel locks.

**4.**



Turn water supply back on and check for leaks.