



PULLDOWN FAUCET SPRAY VALVE REPLACEMENT KIT

ALL CONTEMPORARY AND TRADITIONAL MODELS WITH A LEVER SPRAYER

BEFORE YOU BEGIN YOUR INSTALLATION:



Turn off water supply.

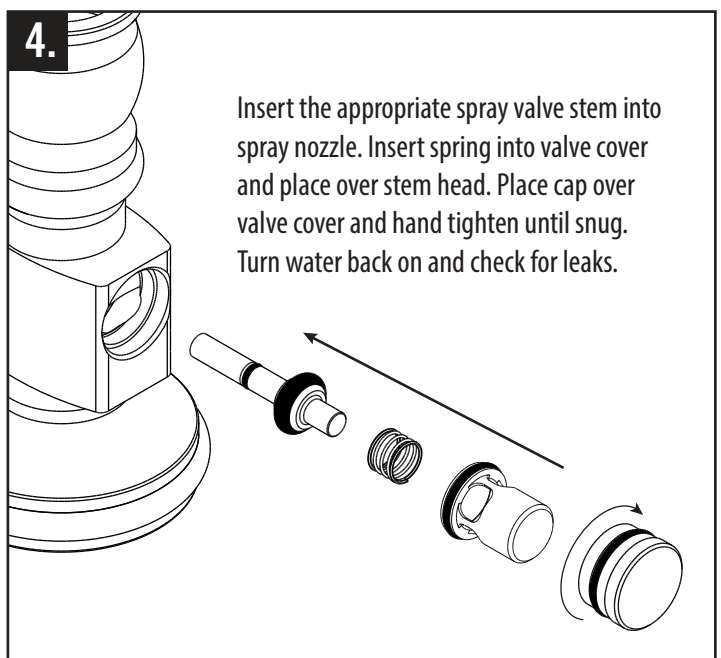
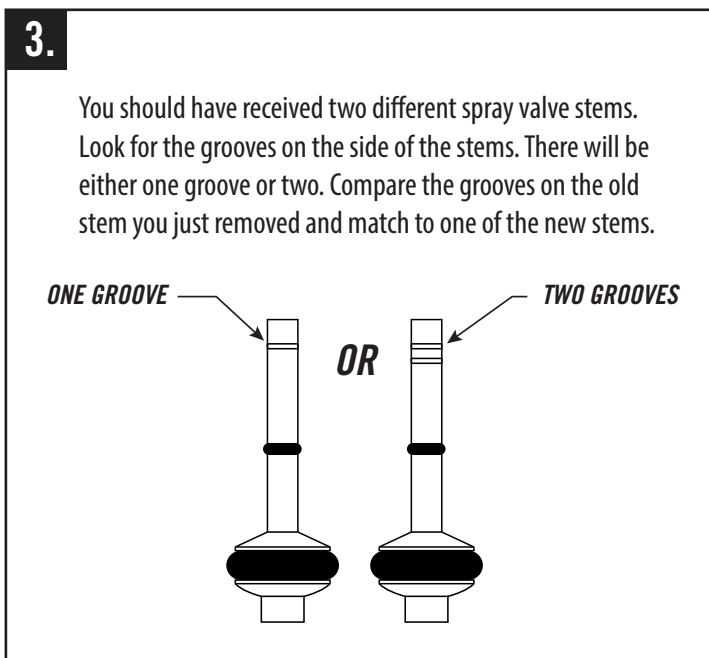
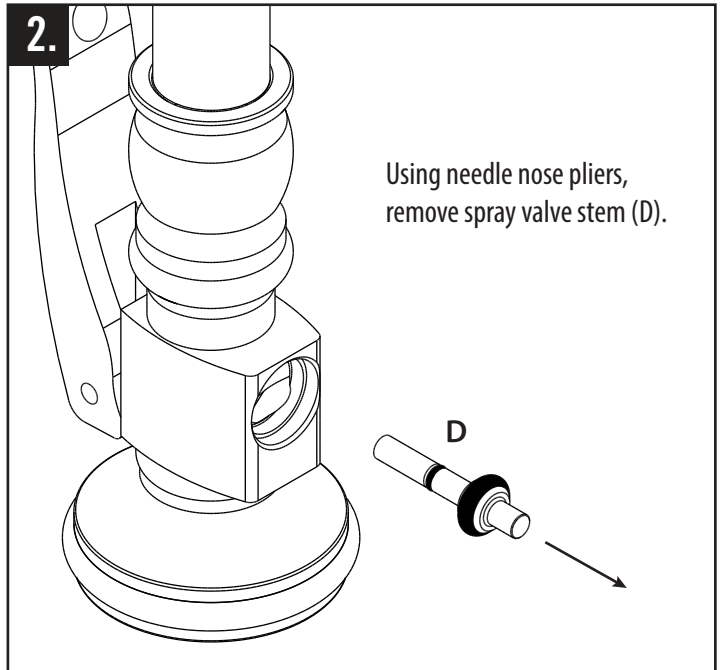
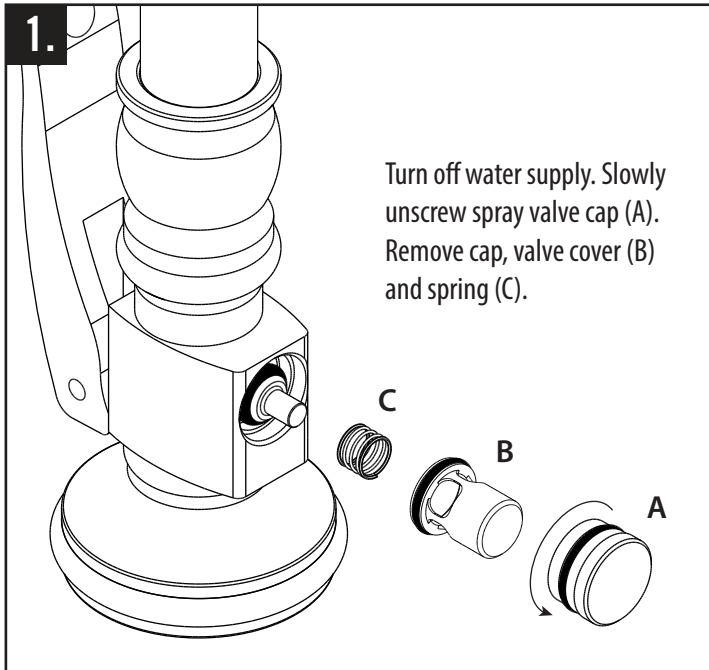
REQUIRED TOOLS:



Needle Nose Pliers

PARTS INCLUDED:

#RK-PSV (QTY. 2)
Pulldown Spray Valve



★ MADE IN THE USA ★

1-888-304-0660 • 951-304-0520

www.waterstoneco.com

VEN-038-PPSV Rev. C