



ARTICULATED SPOUT CHECK VALVE REPLACEMENT

TRADITIONAL MODEL #S 3100, 3150, 3300, 3350, 4100-12, 4100-18, 4410-12, 4410-18, 6100-12, 6150-12, 6100-18, 6150-18

BEFORE YOU BEGIN YOUR INSTALLATION:



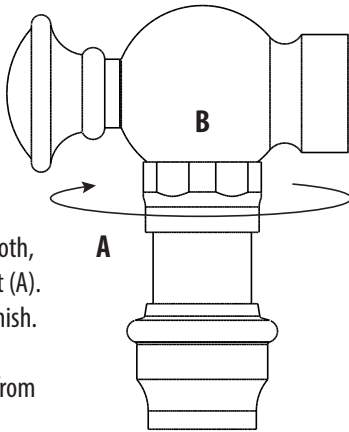
Turn off water supply.

REQUIRED TOOLS:



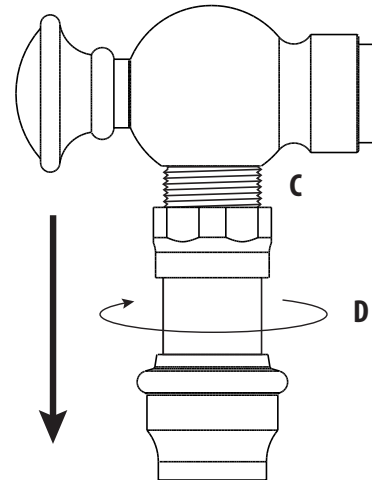
Adjustable Wrench

1.



Using a towel or cloth, cover retaining nut (A). This will protect finish. Use an adjustable wrench to loosen from spout head (B).

2.

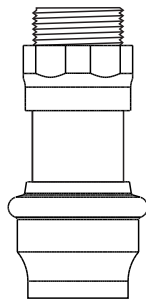


Once loosened, the retaining nut will expose main threads (C). Unscrew spout tip (D) by hand and remove.

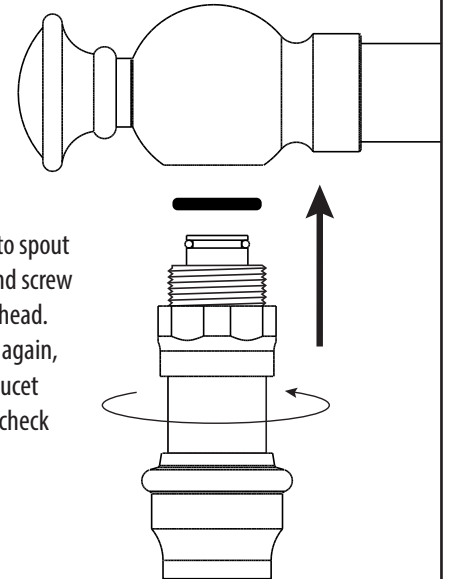
3.



Remove O-ring (E) and check valve (F) from spout tip.



4.



Insert new check valve into spout tip. Place O-ring on top and screw spout tip back into spout head. Tighten the retaining nut again, using a cloth to protect faucet finish. Turn on water and check for leaks.

★ MADE IN THE USA ★

1-888-304-0660 • 951-304-0520

www.waterstoneco.com

VEN-038-ACVR Rev. B