

PLP PULLDOWN FAUCET HOSE REPLACEMENT GUIDE


ALL TRADITIONAL, CONTEMPORARY, MODERN AND INDUSTRIAL MODEL #S

BEFORE YOU BEGIN YOUR INSTALLATION:




Turn off water supply.

REQUIRED TOOLS:

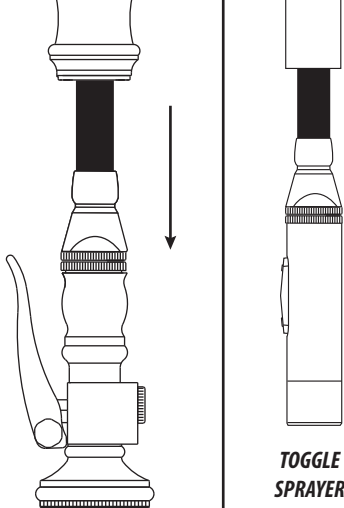


Adjustable Wrench



Pliers

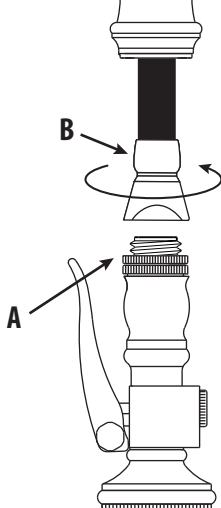
1.



TOGGLE SPRAYER

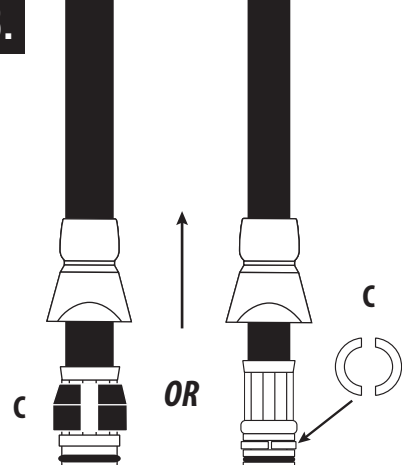
Turn off water supply. Open faucet to relieve pressure. Pull nozzle down from spout to expose swivel assembly.

2.



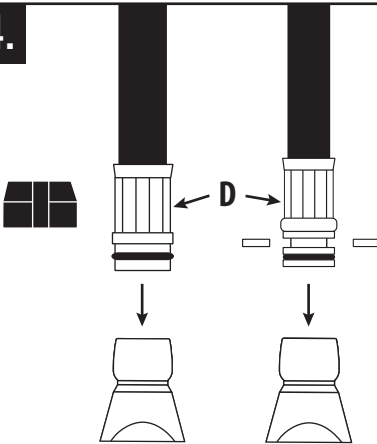
Hold the top ring of the knurl swivel assembly (A) with pliers. Use an adjustable wrench and loosen latch connector (B). Remove nozzle.

3.



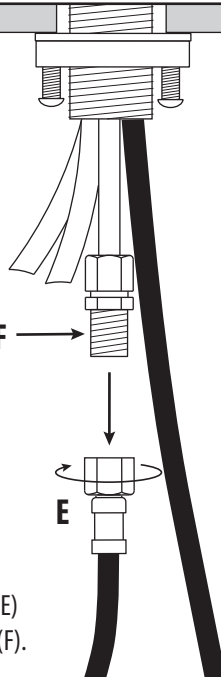
Slide latch connector up to expose compressor collar (C). Depending on hose configuration, there may be either a black collar or two brass metal circles.

4.



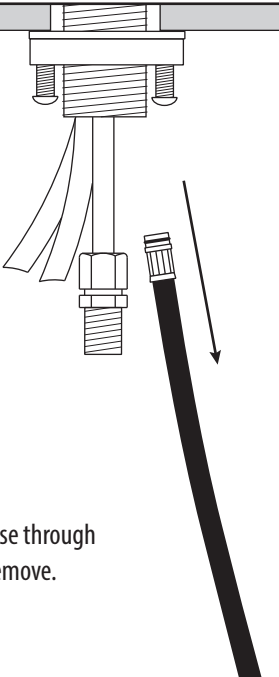
Carefully pry black collar off neck of hose connection (D). The half circles are loose and will just fall out. Slide latch connector off end of hose connection.

5.



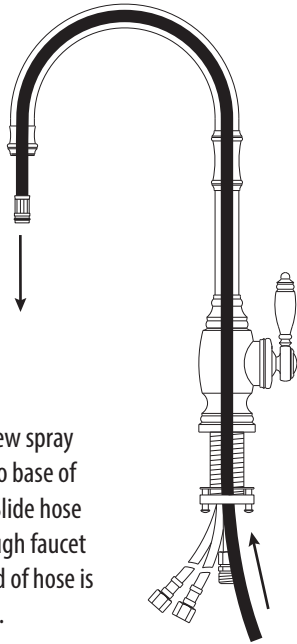
From under sink, disconnect pulldown hose (E) from hose tube (F).

6.



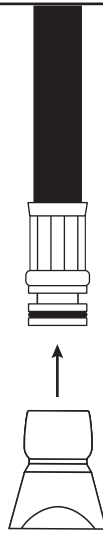
Pull spray hose through faucet and remove.

7.



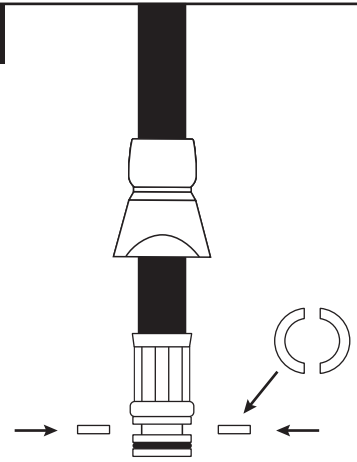
Insert new spray hose into base of faucet. Slide hose up through faucet until end of hose is exposed.

8.



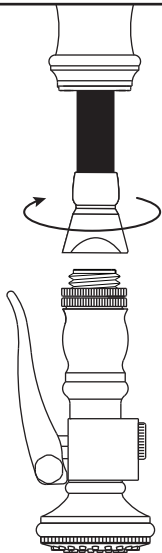
Slide latch connector over hose connection and up onto hose.

9.



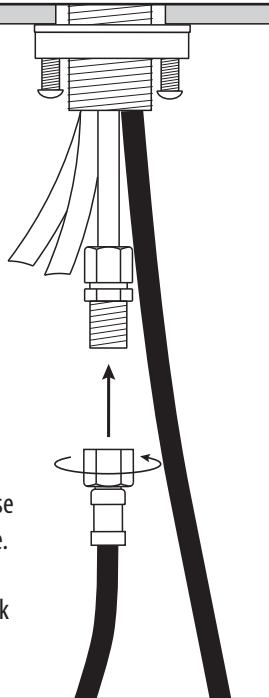
Slide half circles onto each side of hose connection. Hold in place and slide latch connector down, covering entire hose connection.

10.



Using pliers and an adjustable wrench, attach hose back on to nozzle. Tighten until snug.

11.



Attach spray hose nut to hose tube. Turn on water supply and check for leaks.

★ MADE IN THE USA ★

1-888-304-0660 • 951-304-0520

www.waterstoneco.com

VEN-038-RK-PLPSHA Rev. C