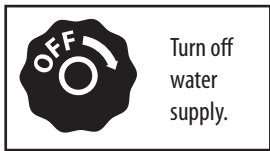


CONTEMPORARY PLP SPOUT REPLACEMENT

MODEL #S 5300, 5400, 5410, 5700, 5800, 5810, 5900, 5910, 5930, 5940

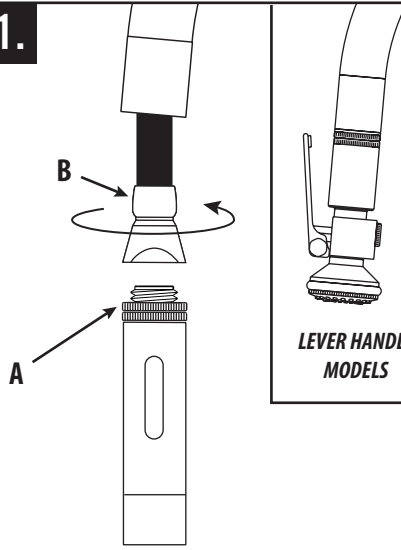
BEFORE YOU BEGIN YOUR INSTALLATION:



REQUIRED TOOLS:



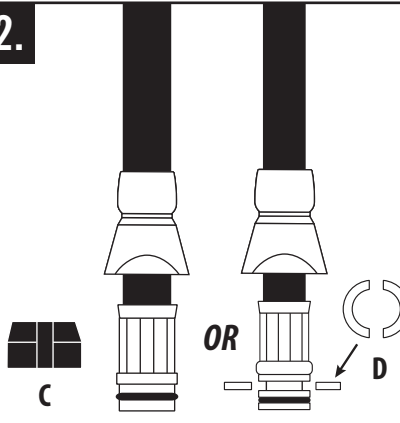
1.



LEVER HANDLE MODELS

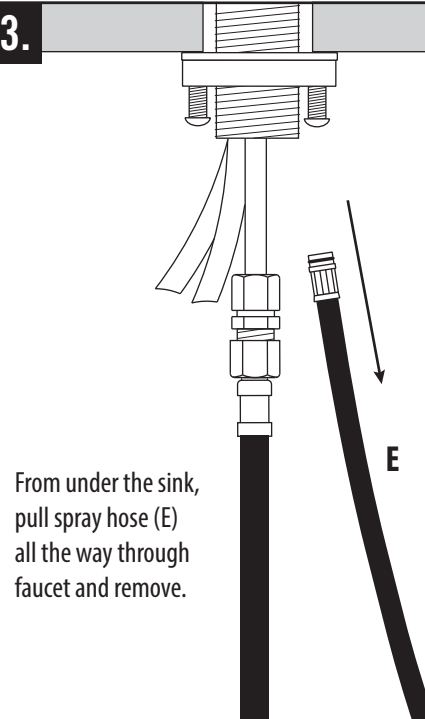
Turn off water supply. Hold the top ring of the knurl swivel assembly (A) with pliers. Use an adjustable wrench and loosen latch connector (B). Remove nozzle.

2.



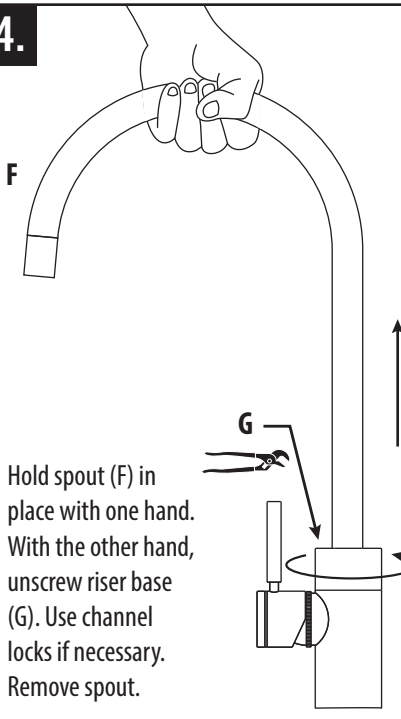
Slide latch connector up to expose compressor collar. Depending on hose configuration, there may be either a black collar (C) or two metal half circles (D). Carefully pry black collar off neck of hose connection. The half circles are loose and will just fall out.

3.



From under the sink, pull spray hose (E) all the way through faucet and remove.

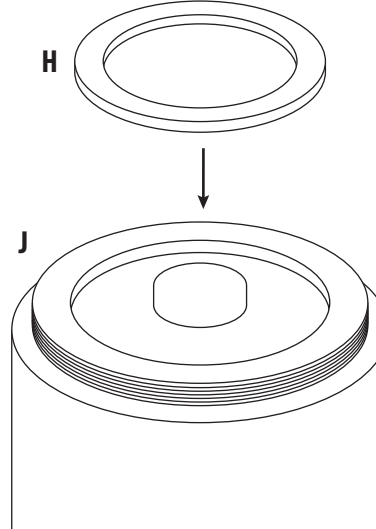
4.



Hold spout (F) in place with one hand. With the other hand, unscrew riser base (G). Use channel locks if necessary. Remove spout.

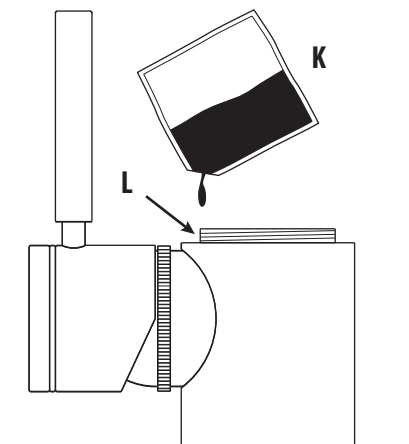
5.

Place white plastic O-ring (H) into top of faucet base (J).



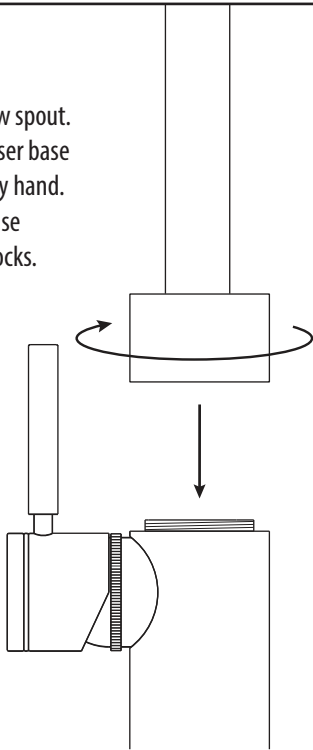
6.

Make a small cut in the corner of the glue bag (K). Dab **2-3 DROPS** around the faucet base threads (L). **DO NOT OVERGLUE.**



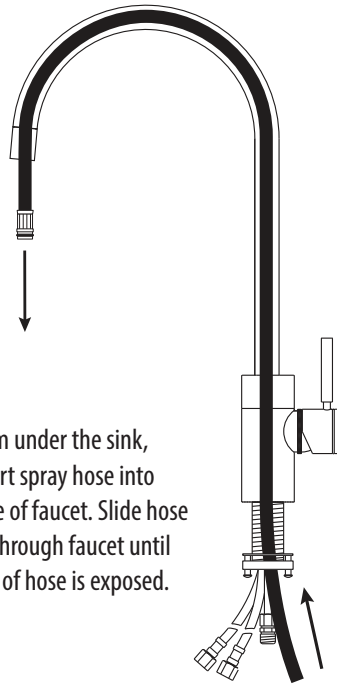
7.

Install new spout.
Tighten riser base
snuggly by hand.
DO NOT use
channel locks.



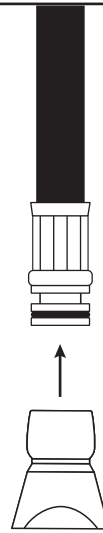
8.

From under the sink,
insert spray hose into
base of faucet. Slide hose
up through faucet until
end of hose is exposed.



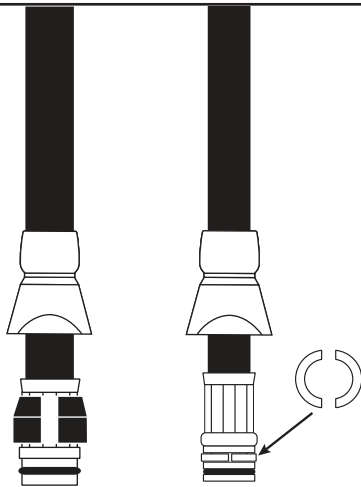
9.

Slide latch connector
over hose connection
and up onto hose.



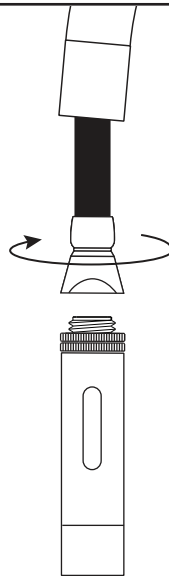
10.

Depending on hose configuration, either
snap black collar onto hose connection, or
slide the half circles onto each side. Hold
in place and slide latch connector down,
covering entire hose connection.



11.

Using pliers and an adjustable wrench,
attach
latch connector to nozzle. Tighten until snug.
Turn on water supply and check for leaks.



**NOTE: NEW SPOUT IS ENGINEERED
WITH A ANTI-ROCKING DESIGN. THE
SPOUT SWIVEL WILL BE STIFFER,
BUT STABLE.**

★ MADE IN THE USA ★

1-888-304-0660 • 951-304-0520

www.waterstoneco.com

VEN-038-RK-CPSR Rev. D