

# MULTI-STAGE FILTRATION SYSTEM INSTALLATION INSTRUCTIONS



**Model #:**  
30101








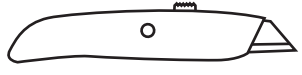
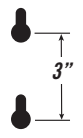
**Model #:**  
30102 Replacement Cartridge

**ABOUT THIS SYSTEM**

Congratulations on your purchase of the 30101 Multi-Stage Filtration System. When properly maintained, this system will provide you with years of trouble-free service. The next three sections contain important information on the proper care and maintenance of your system, please take a few minutes to read through this information.

**BEFORE YOU BEGIN YOUR INSTALLATION:**

<b>1</b>  Turn off water supply.	<b>2</b>  Observe all local plumbing codes.	<b>3</b>  Inspect waste and water supplies for signs of damage. Replace as necessary.	<b>4</b>  DO NOT use petroleum based products on this faucet.
--	---	--	---

<b>REQUIRED TOOLS:</b>  1. Adjustable Wrench  2. Utility Knife	<b>OPTIONAL MOUNTING HOLES</b> Although unit will stand on its' own under sink, unit can be mounted to cabinet or wall if needed. Use mounting holes on back to hang unit with screws. 
--	--

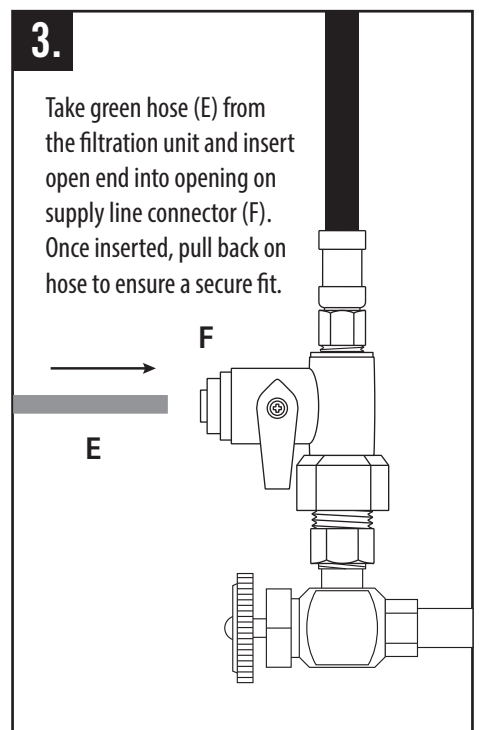
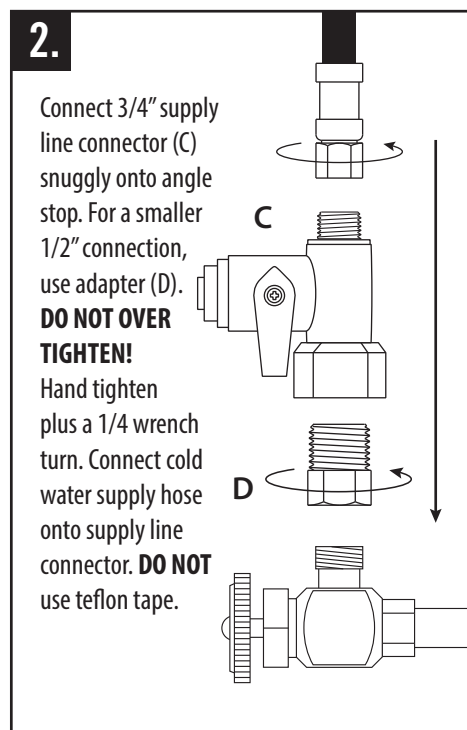
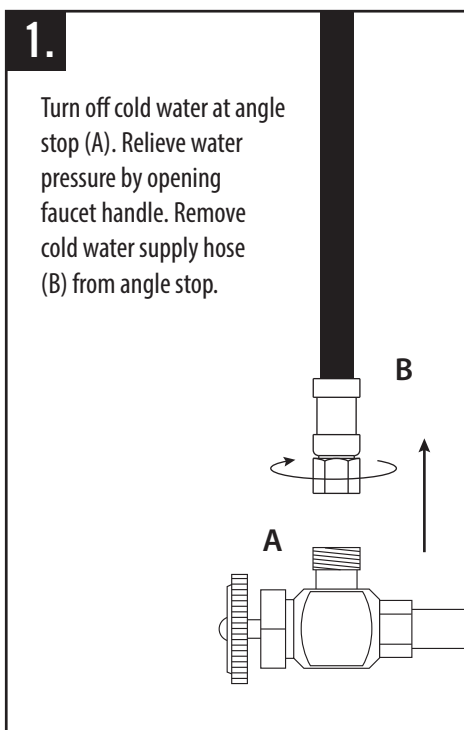
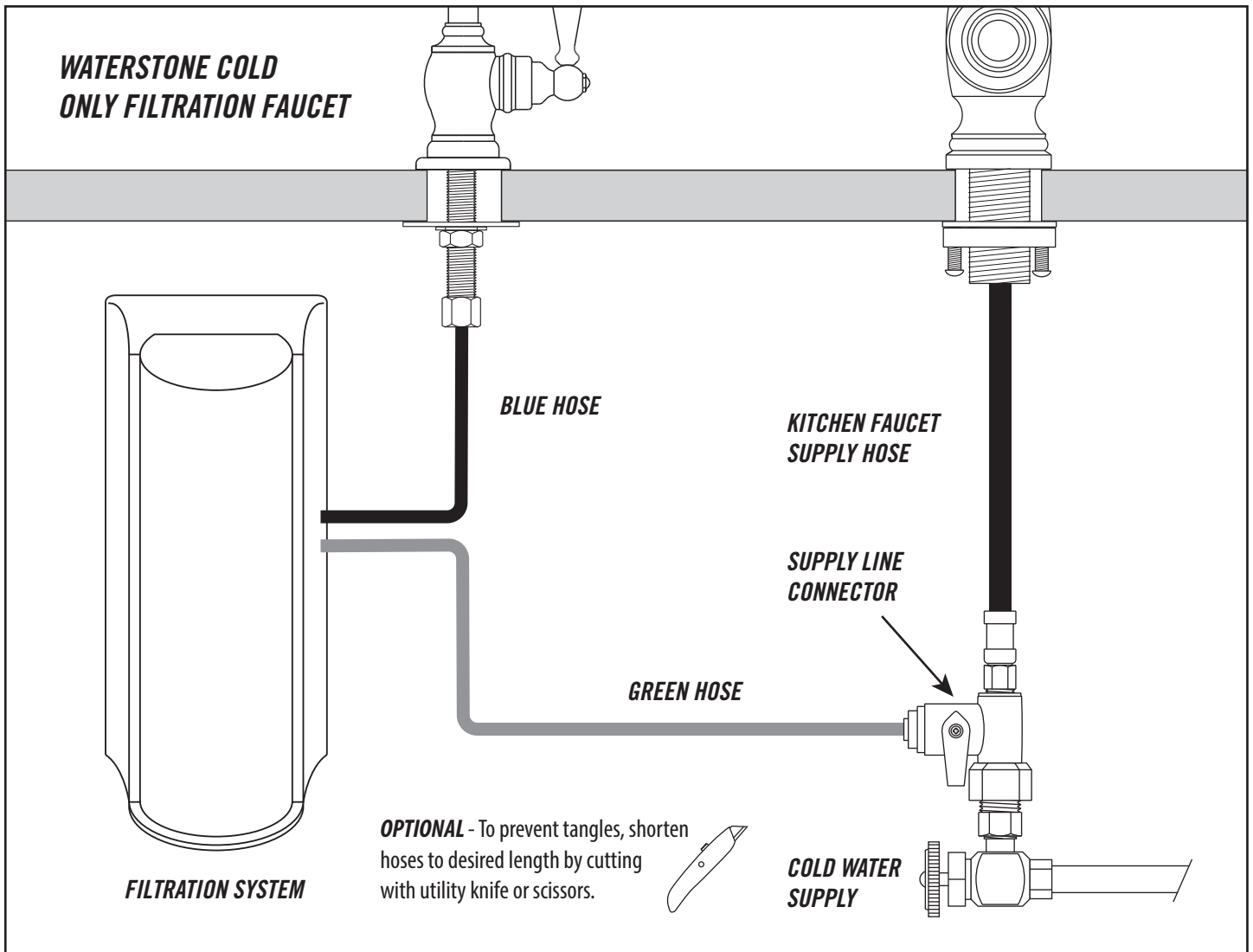
The following instructions outline a typical water treatment system installation. Consult local plumbing codes and building regulations as they may pose different or additional requirements for the installation. The installer is responsible for ensuring that the installation is in compliance with all applicable state and local regulations.

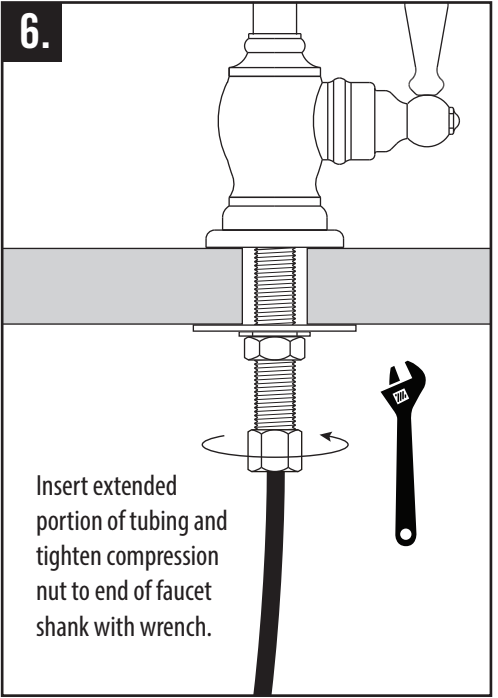
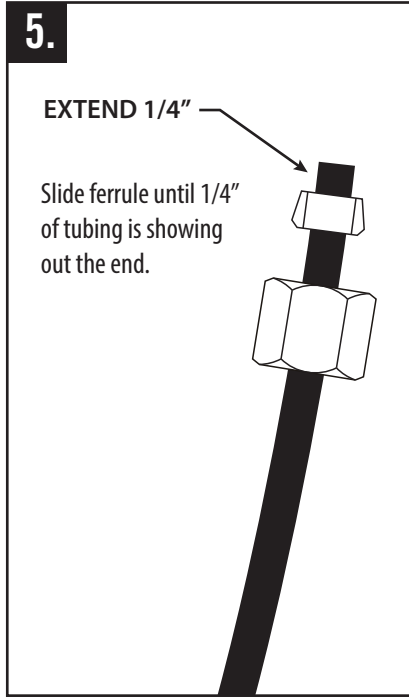
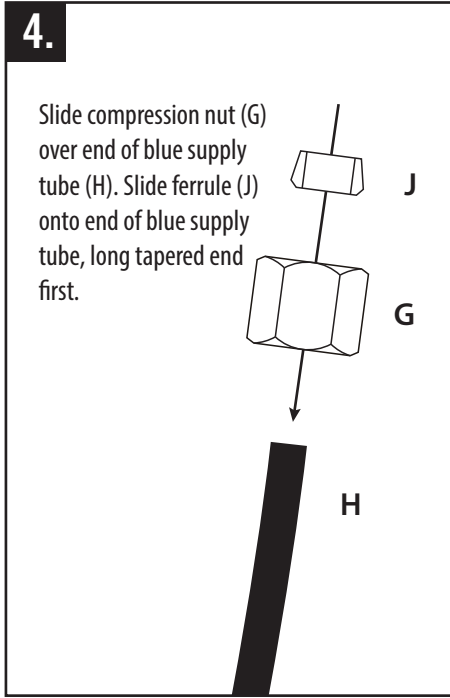
This system has been designed for installation by a licensed professional such as a contractor or plumber. Proper completion of this installation will require basic familiarity with standard sink plumbing and proper use of common hand and power tools. Improperly installed systems could result in water damage due to leaks or flooding.

The connection parts kit supplied with the 30101 Multi-Stage Filtration System includes components which represent the most common under-sink plumbing connections currently in use within the United States. If these components do not match the type of connections installed at your location, contact a local hardware or plumbing supplier to obtain the correct fittings.

***Do not use with water that is microbiologically unsafe or of unknown quality without adequate disinfection before or after the system.***

# MULTI-STAGE FILTRATION SYSTEM INSTALLATION





## SYSTEM ACTIVATION AND INSPECTION

Check all tubing connections to ensure they are firmly seated. **CHECK TO SEE THAT THE CARTRIDGE RETAINER CLIP IS PROPERLY INSTALLED WITH THE SLIDE LOCKS FULLY ENGAGED IN FRAME SLOTS.** The retainer clip must be in place during long term, unattended operation of the system. Failure to keep the retaining clip properly engaged could result in accidental leaks and flooding.

Open the dispensing faucet at the sink. Next, open the feed water valve to the system (K), then angle stop (L). Observe all tubing and connections for several minutes to detect any leaks. Allow the faucet to run for at least 3 minutes, then close the faucet. During the 3-minute flush, a small amount of carbon fines may be seen in the initial flushing of the system. This is normal. The water also may appear to be milky. This is due to air being trapped in system. If practical, invert the unit until air ceases to purge from the faucet. Check fittings again for leaks after closing the faucet. The system is now ready for use.

# CARTRIDGE REPLACEMENT - MODEL # 30102

Maintenance for the Multi-Stage Filtration System is quick and easy. All cartridges are designed to be changed without tools. When properly maintained, the system will provide you with years of trouble-free service. Cartridges in this system must be replaced every 6-12 months to maintain efficiency and to ensure high water quality.

**1.**

Turn off cold water at angle stop (A) or feed water valve to the system (B).

**2.**

Relieve water pressure by opening faucet handle (C).

**3.**

Squeeze sides to remove cover (D) from front of system.

**4.**

Squeeze and remove retaining clip (D). Pull cartridge (E) off system evenly at top and bottom. Dispose of used cartridge. Install new cartridge, rocking gently from side to side until cartridge tubes are properly engaged in unit connectors. Re-install retaining clip, ensuring slide locks snap into place. If clip does not snap easily into place through slots, cartridge is not fully inserted into connectors. Failure to properly install retaining clip will result in accidental leaks and flooding.

## SYSTEM SPECIFICATIONS

SYSTEM LIFE	1000 GALLONS	FEED WATER	POTABLE WATER
1ST STAGE FILTER	20 MICRON POLYPROPYLENE	MIN. FEED PRESSURE	40 PSI
2ND STAGE FILTER	5 MICRON POLYPROPYLENE	MAX. FEED PRESSURE	100 PSI
3RD STAGE FILTER	GAC	MIN. FEED TEMP	32°F
SYSTEM DIMENSIONS	(6 3/4"W X 6 1/2"D X 15 3/4"H)	MAX. FEED TEMP	120°F
SYSTEM WEIGHT (DRY)	4.75 LBS.		

## SYSTEM WARRANTY

The 30101 system limited warranty extends to the original purchaser of the system. This warranty covers all parts and factory labor needed to repair any manufacturer supplied item that proves to be defective in material, workmanship or factory preparation. The warranty applies for the first full calendar year from date of purchase. These defective items are subject to the following exclusions: filters, O-rings, and all other parts or components that require regular replacement as a result of ordinary usage.

**DISCLAIMERS** - This warranty applies only if the system is installed and used in compliance with the instructions enclosed with the system.

The warranty does not cover any non-standard 30101 system parts. This warranty does not cover the costs of repairs or adjustments to the unit that may be needed due to use of improper parts, equipment or materials. This warranty does not cover repairs required due to use of non-standard system two parts, unauthorized alterations of the unit, or failure of a unit caused by such alterations or by unauthorized repairs.

The warranty does not cover malfunctions of the unit due to tampering, misuse, alteration, lack of regular maintenance, or misapplication. In addition, damage to the unit due to fire, accident, negligence, act of God, or events beyond the control of the manufacturer are not covered by this warranty.

**INCIDENTAL AND CONSEQUENTIAL DAMAGES** - The manufacturer does not assume responsibility for payment of incidental and consequential damages as a result of the failure of this unit to comply with express or implied warranties, such as lost time, inconvenience, damage to personal property, loss of revenue, commercial losses, postage, travel, telephone expenditures, or other losses of this nature. Some states do not allow the exclusion or limitation of incidental or consequential damages, so this exclusion may not apply to you .

**OWNER'S WARRANTY RESPONSIBILITIES** - Under the provisions of the warranty, the owner is expected to perform scheduled maintenance, as described in this manual. Neglect, improper maintenance, abuse, or unapproved modifications may invalidate the warranty. Should your unit develop a defect or otherwise fail to perform in accordance with this warranty, you should contact the dealer from whom the product was originally purchased .

**IMPLIED WARRANTIES** - The implied at-law warranties of merchantability and fitness for a particular purpose shall terminate on the date one year after the date of purchase. Note: some states do not allow limitations on how long an implied warranty lasts, so the above limitations may not apply to you .

**OTHER RIGHTS** - This warranty gives you specific legal rights and you may also have other rights which vary from state to state.

