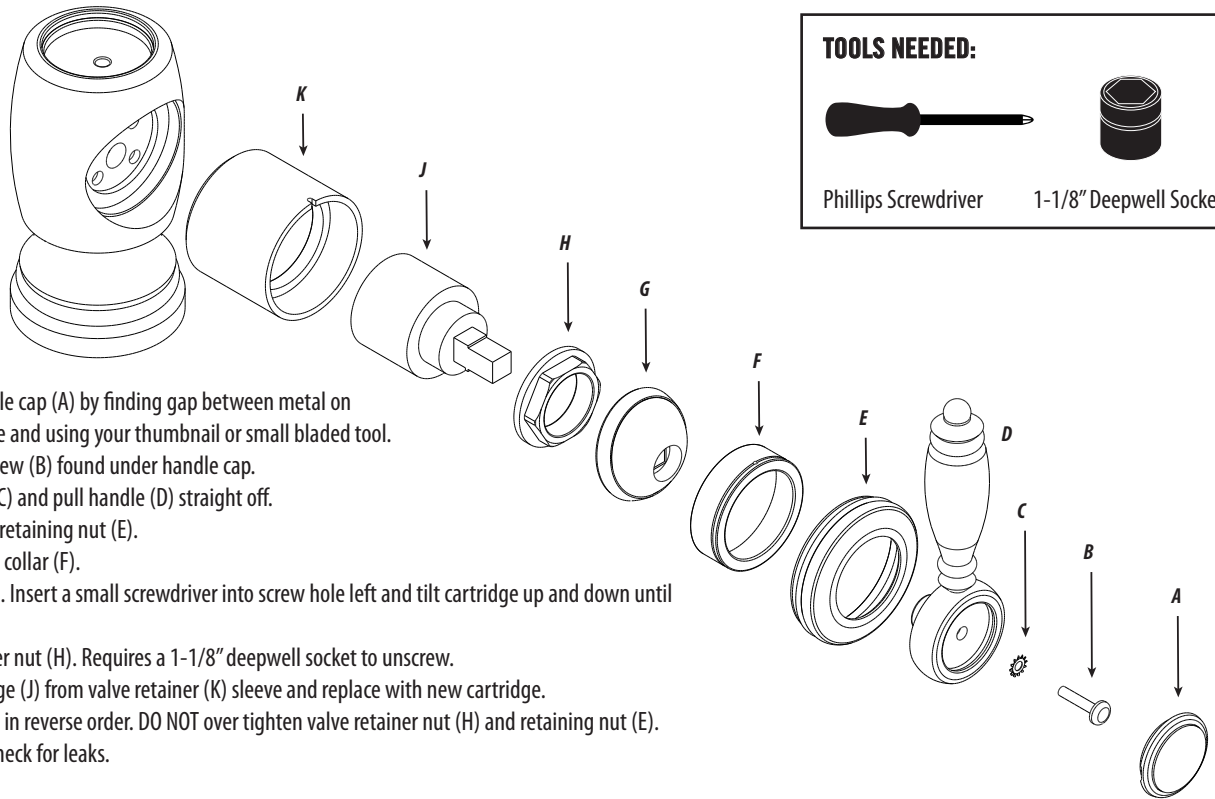


TRADITIONAL VALVE CARTRIDGE REPLACEMENT GUIDE

Kitchen, Prep or Gantry Faucet Series

Model #s 4100, 4200, 4300, 4410, 4400, 4700, 4800, 4900, 5100, 5200, 5500, 5600



TOOLS NEEDED:



Phillips Screwdriver

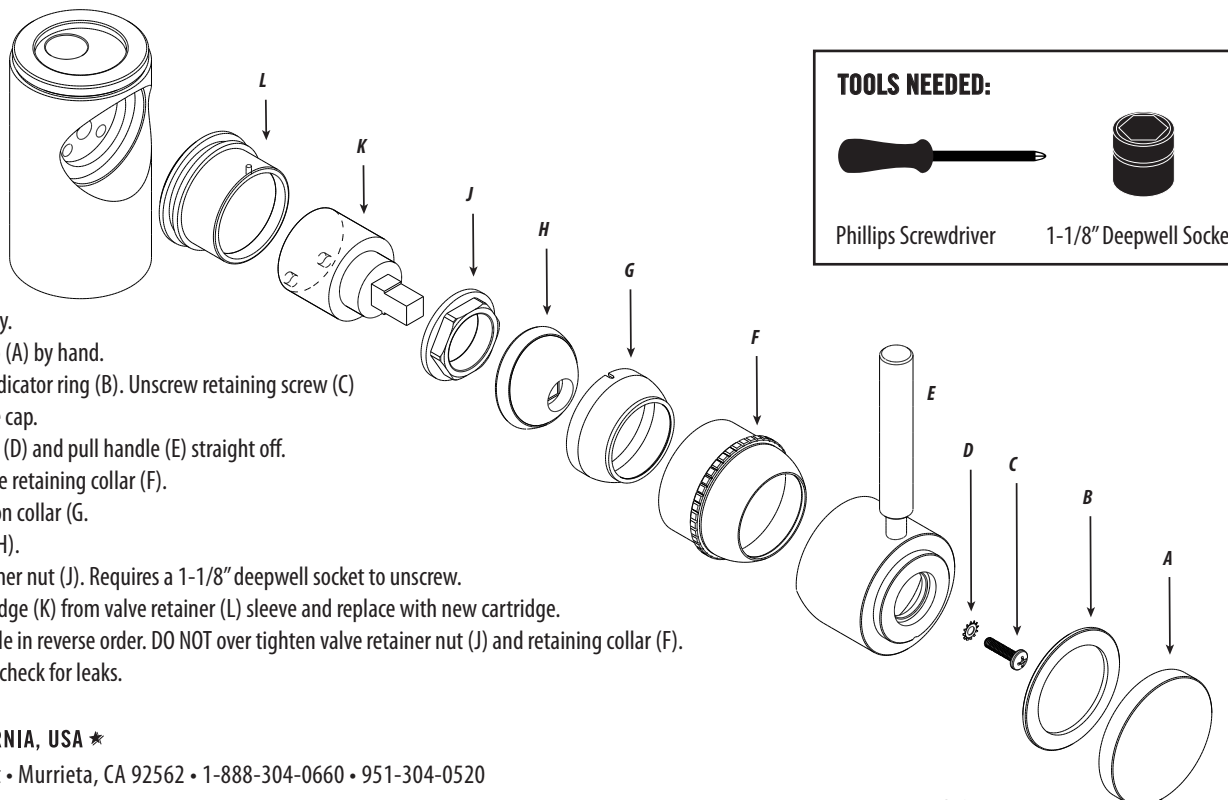
1-1/8" Deepwell Socket

1. Turn off water supply.
2. Remove the the handle cap (A) by finding gap between metal on bottom side of handle and using your thumbnail or small bladed tool.
3. Unscrew retaining screw (B) found under handle cap.
4. Remove locking nut (C) and pull handle (D) straight off.
5. Unscrew and remove retaining nut (E).
6. Remove brass friction collar (F).
7. Remove valve ball (G). Insert a small screwdriver into screw hole left and tilt cartridge up and down until valve ball is free.
8. Unscrew valve retainer nut (H). Requires a 1-1/8" deepwell socket to unscrew.
9. Remove valve cartridge (J) from valve retainer (K) sleeve and replace with new cartridge.
10. Begin to reassemble in reverse order. DO NOT over tighten valve retainer nut (H) and retaining nut (E).
11. Turn on water and check for leaks.

CONTEMPORARY VALVE CARTRIDGE REPLACEMENT GUIDE

Kitchen, Prep or Gantry Faucet Series

Model #s 3500, 3600, 3700, 3710, 3800, 3825, 3900, 3925, 5300, 5400, 5700, 5800, 5900, 5930



TOOLS NEEDED:



Phillips Screwdriver

1-1/8" Deepwell Socket

1. Turn off water supply.
2. Unscrew handle cap (A) by hand.
3. Remove hot/cold indicator ring (B). Unscrew retaining screw (C) found under handle cap.
4. Remove locking nut (D) and pull handle (E) straight off.
5. Unscrew and remove retaining collar (F).
6. Remove brass friction collar (G).
7. Remove valve ball (H).
8. Unscrew valve retainer nut (J). Requires a 1-1/8" deepwell socket to unscrew.
9. Remove valve cartridge (K) from valve retainer (L) sleeve and replace with new cartridge.
10. Begin to reassemble in reverse order. DO NOT over tighten valve retainer nut (J) and retaining collar (F).
11. Turn on water and check for leaks.

★ MADE IN CALIFORNIA, USA ★

41180 Raintree Court • Murrieta, CA 92562 • 1-888-304-0660 • 951-304-0520

www.waterstoneco.com

VEN-038-KVAG Rev. A