


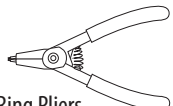

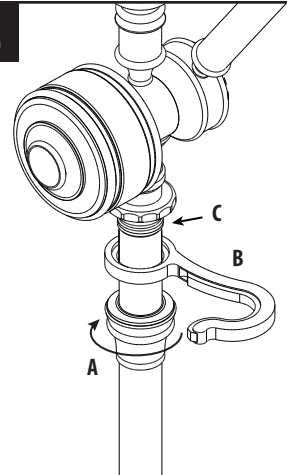


## BEFORE YOU BEGIN YOUR INSTALLATION:

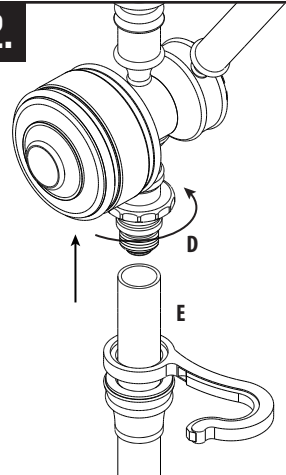
 <p>Turn off water supply.</p>	<p><b>REQUIRED TOOLS:</b></p>    <p>Small Standard Screwdriver      Adjustable Wrench      Snap Ring Pliers</p>	<p><b>PARTS INCLUDED:</b></p> 
---	---	---

**1.**



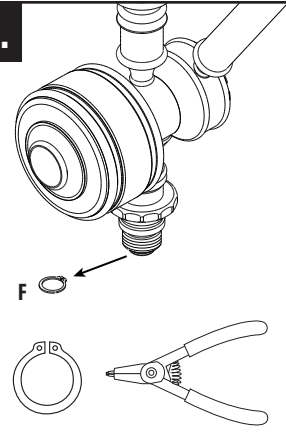
Turn off water supply. Unscrew retainer sleeve (A), by hand, until disengaged from thread. Slide sleeve and spray hose hook (B) down to expose swivel threads (C).

**2.**



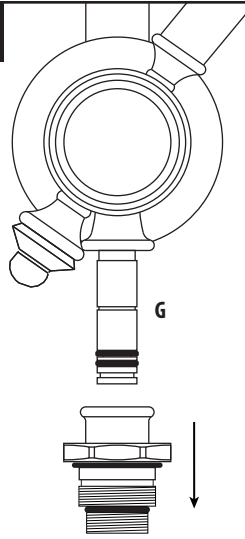
Using channel locks, carefully loosen the swivel unit (D). Unscrew by hand and remove Gantry sprayer head from faucet riser (E).

**3.**



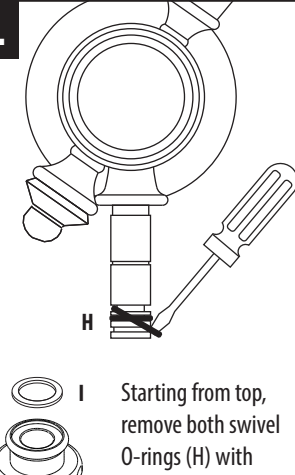
Remove holding clip (F) with snap ring pliers.

**4.**



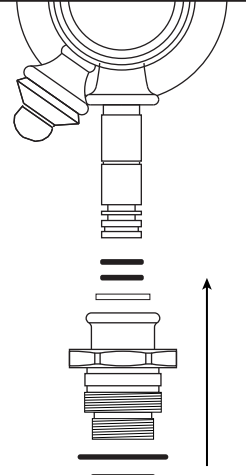
Slide swivel nut from Gantry head stem (G).

**5.**



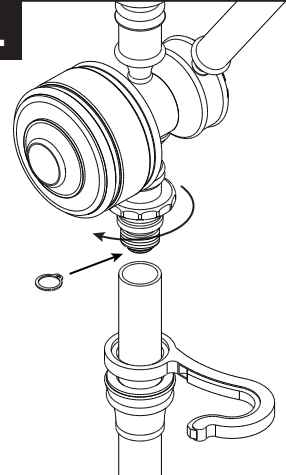
Starting from top, remove both swivel O-rings (H) with standard screwdriver. Remove white O-ring (I) from top of swivel unit and both black O-rings (J) from bottom.

**6.**



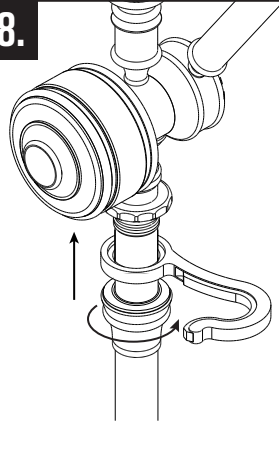
Starting at bottom, replace swivel O-rings. Replace white O-ring and swivel unit base O-rings. Slide swivel unit back onto Gantry head stem.

**7.**



Reattach holding clip to secure swivel unit. Reattach Gantry sprayer head to faucet riser.

**8.**



Slide hose hook back into place. Slide retainer sleeve and secure by hand until snug. Turn water on and check for leaks.