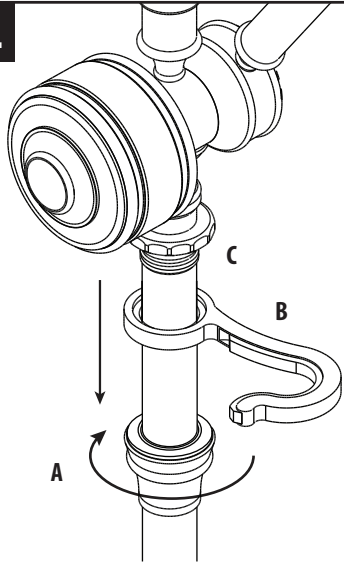


GANTRY SPOUT SWIVEL O-RING REPLACEMENT

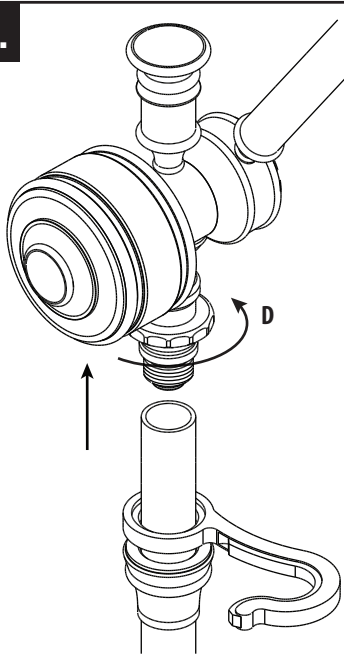
TRADITIONAL GANTRY FAUCET MODEL #S 4400, 4410-12, 4410-18

1.



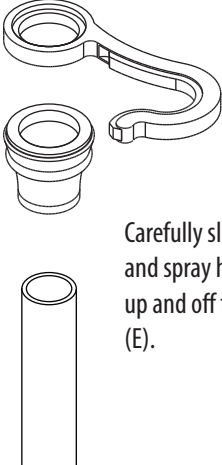
TURN OFF WATER SUPPLY! To avoid scratching finish, wrap the faucet riser with a sheet of paper. Unscrew retainer sleeve (A), by hand, until disengaged from thread. Carefully slide sleeve and spray hose hook (B) down to expose swivel threads (C).

2.



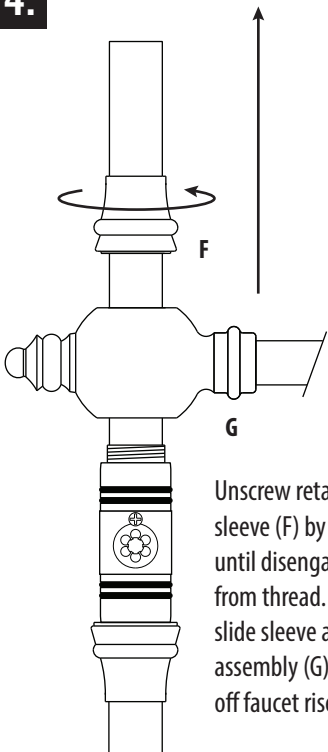
Using an adjustable wrench, carefully loosen the swivel unit (D). Unscrew by hand and remove Gantry sprayer head from faucet riser.

3.



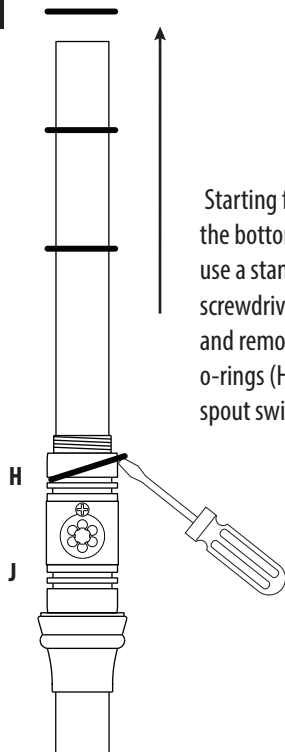
Carefully slide sleeve and spray hose hook up and off faucet riser (E).

4.



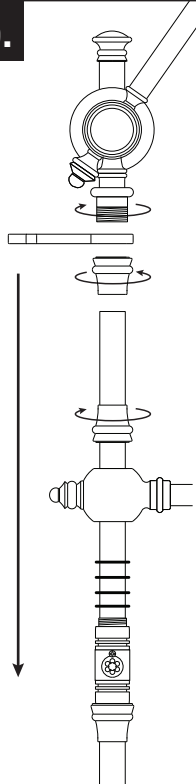
Unscrew retainer sleeve (F) by hand, until disengaged from thread. Carefully slide sleeve and spout assembly (G) up and off faucet riser.

5.



Starting from the bottom, use a standard screwdriver to pry and remove old o-rings (H) from spout swivel (J).

6.



Slide and place all four new o-rings into spout swivel grooves. Insert from top to bottom. Reverse assemble the spout, sleeves, hook and Gantry sprayer head. Turn water back on and check for leaks.

★ MADE IN THE USA ★

1-888-304-0660 • 951-304-0520

www.waterstoneco.com

VEN-038-GSOR Rev. A