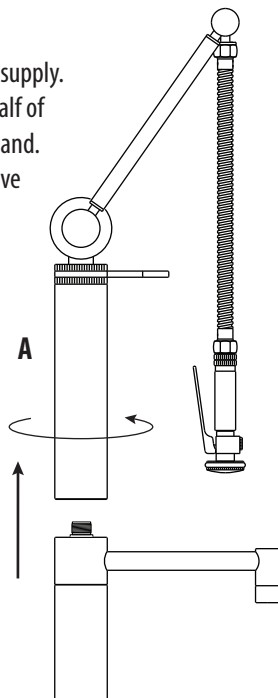


GANTRY SPOUT SWIVEL O-RING REPLACEMENT

GANTRY FAUCET MODEL #S 3700, 3710-12, 3710-18

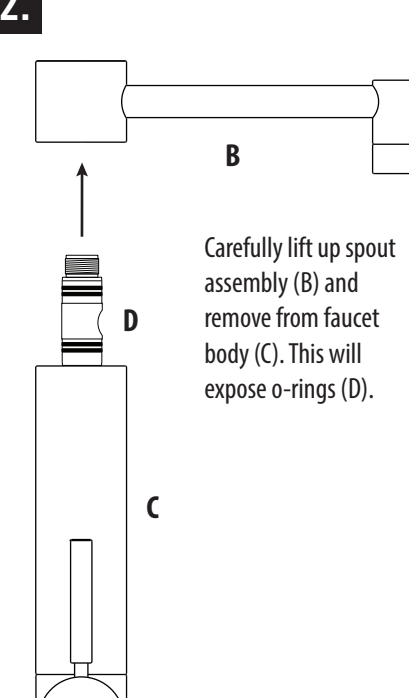
1.

Turn off water supply. Unscrew top half of faucet (A) by hand. Carefully remove and set aside.



2.

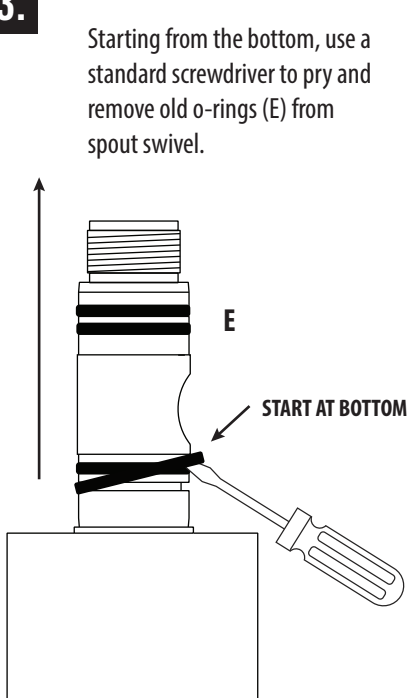
Carefully lift up spout assembly (B) and remove from faucet body (C). This will expose o-rings (D).



3.

Starting from the bottom, use a standard screwdriver to pry and remove old o-rings (E) from spout swivel.

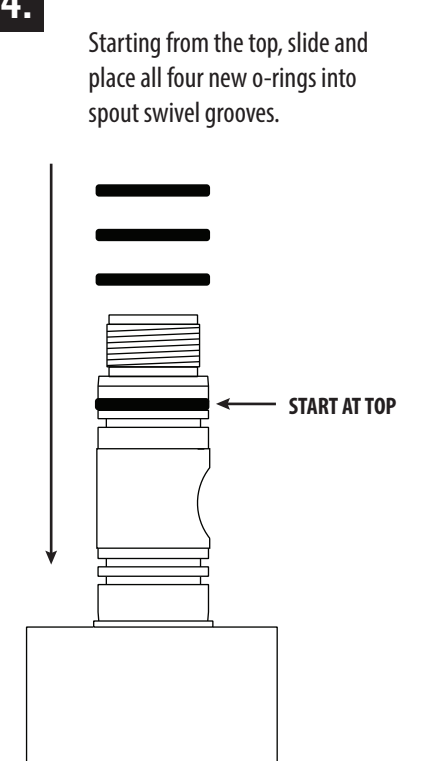
START AT BOTTOM



4.

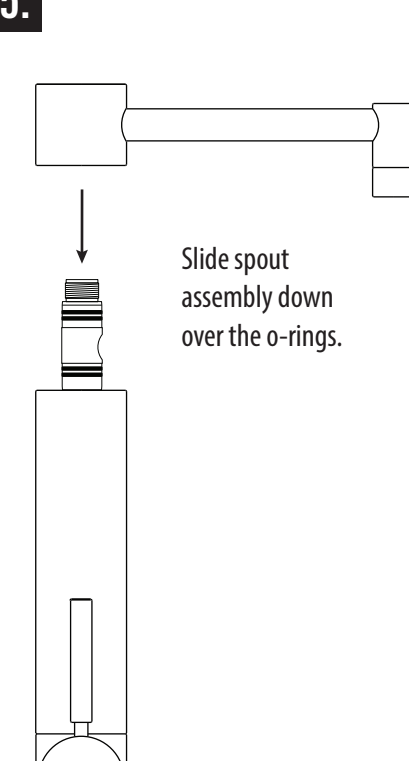
Starting from the top, slide and place all four new o-rings into spout swivel grooves.

START AT TOP



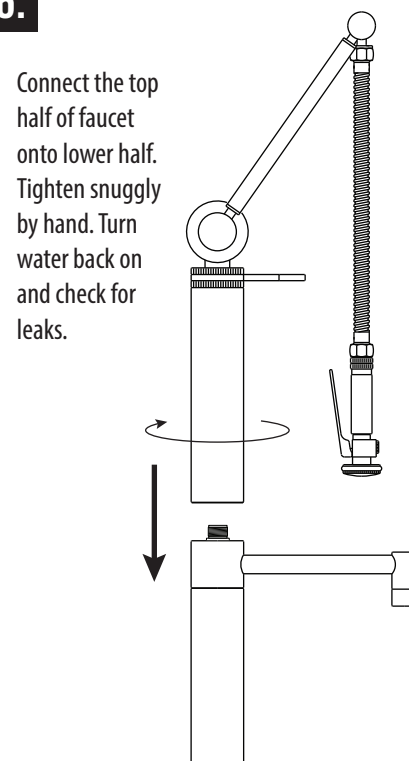
5.

Slide spout assembly down over the o-rings.



6.

Connect the top half of faucet onto lower half. Tighten snugly by hand. Turn water back on and check for leaks.



★ MADE IN THE USA ★

1-888-304-0660 • 951-304-0520

www.waterstoneco.com

VEN-038-RK-GCDR Rev. A