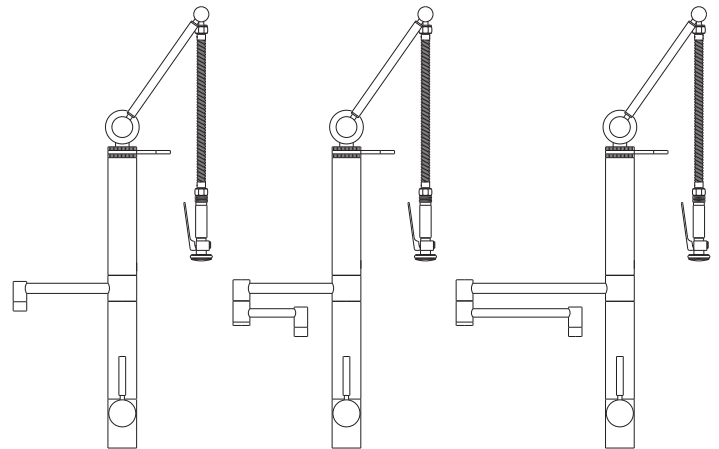
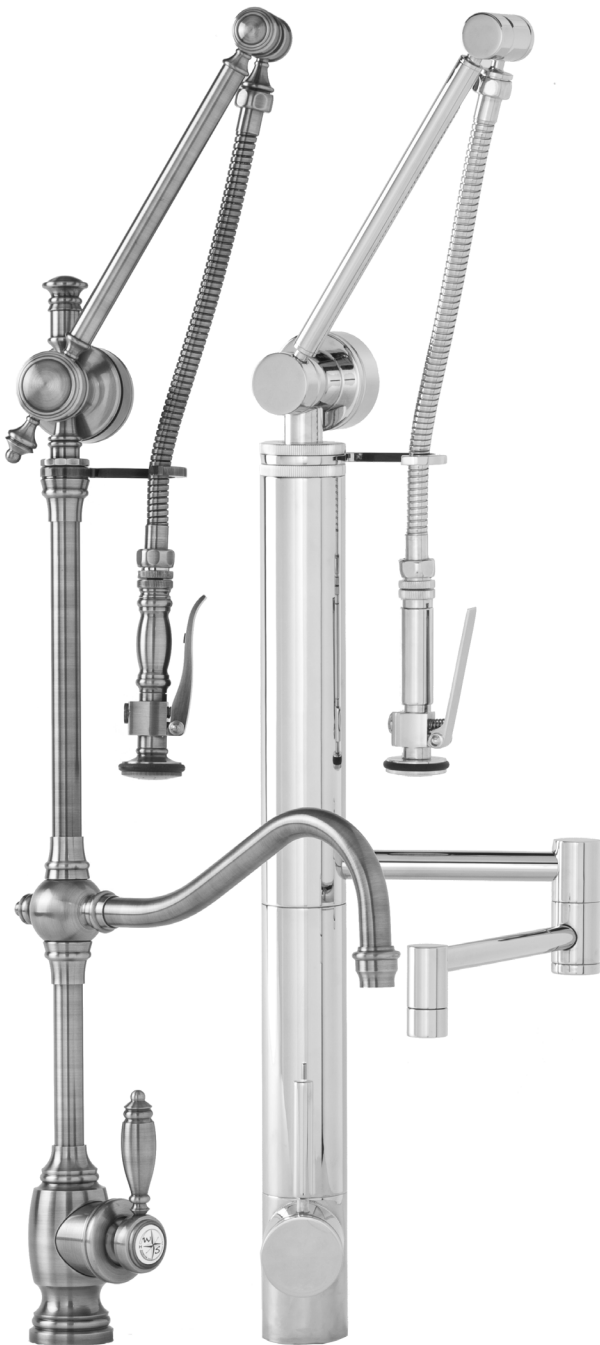


GANTRY® PULLDOWN FAUCET INSTALLATION INSTRUCTIONS

Gantry Model #:

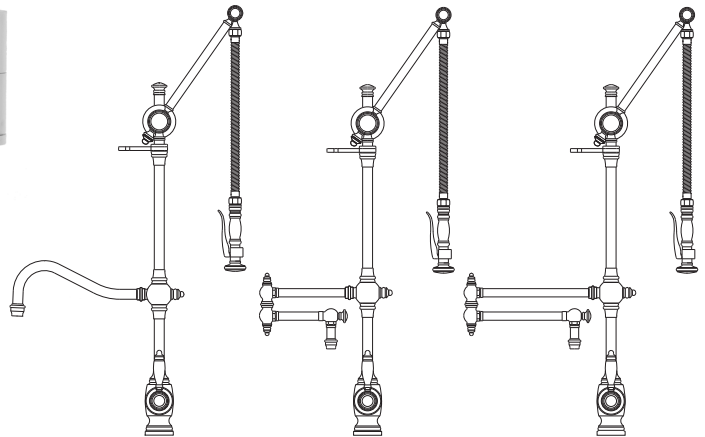
- 3700
- 3710-12
- 3710-18
- 4400
- 4410-12
- 4410-18



3700

3710-12

3710-18



4400

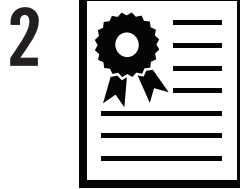
4410-12

4410-18

BEFORE YOU BEGIN YOUR INSTALLATION:



Turn off water supply.



Observe all local plumbing codes.



Inspect waste and water supplies for signs of damage. Replace as necessary.



DO NOT use petroleum based products on this faucet.

REQUIRED TOOLS:



1. Adjustable Wrench



2. Phillips Screwdriver

PARTS INCLUDED:

**XX represents finish*

HK-THC-XX*
TRADITIONAL HANDLE CAP KIT (TRADITIONAL ONLY)

HK-USM1250
UNDER SINK MOUNTING HARDWARE KIT (1-1/4")

LIFETIME WARRANTY

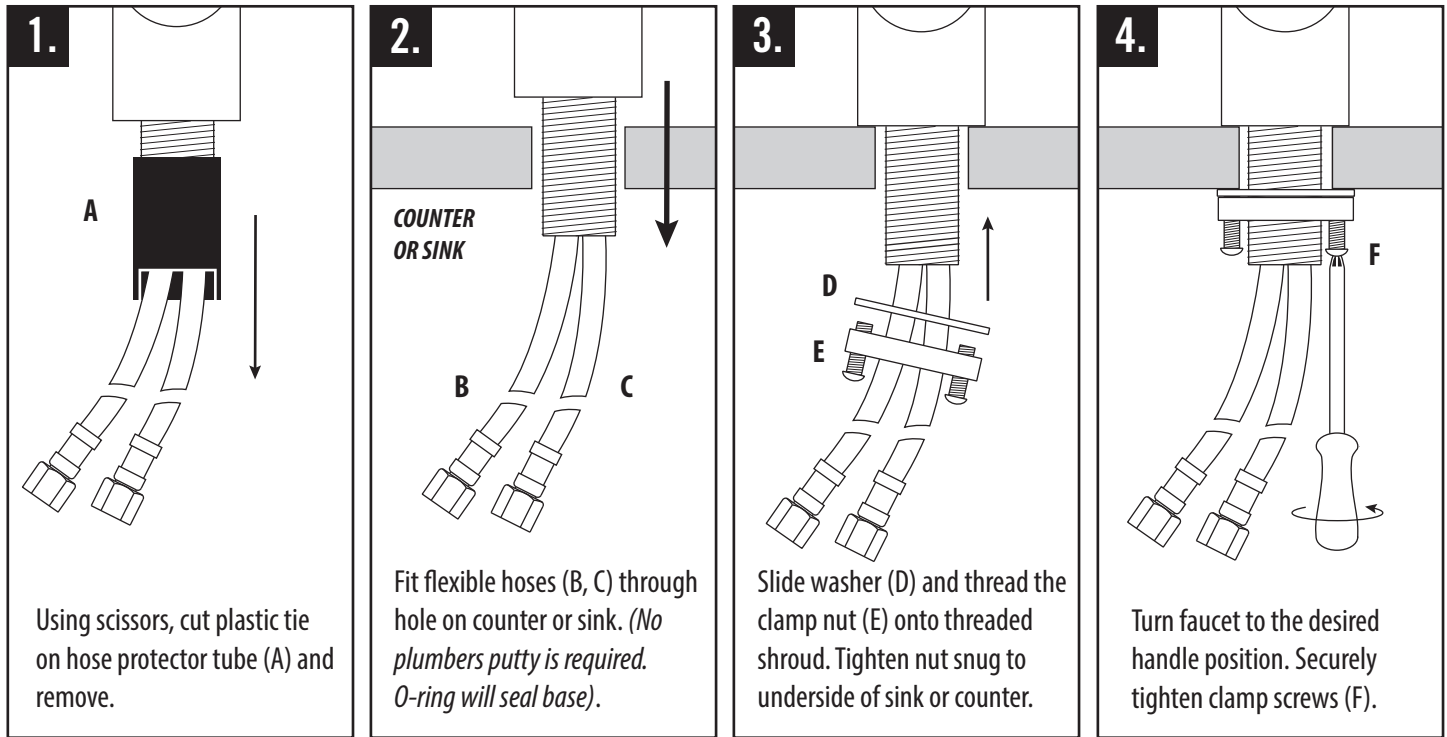
All Waterstone products manufactured by Waterstone carry a **Limited Lifetime Guarantee** against functional defect in material or workmanship in a residential application. Consult with an authorized Waterstone dealer for complete information about our warranty.

For any questions or concerns about your faucet's warranty, contact Waterstone.

Waterstone Faucets
41180 Raintree Court • Murrieta, CA 92562
1-888-304-0660
www.waterstoneco.com

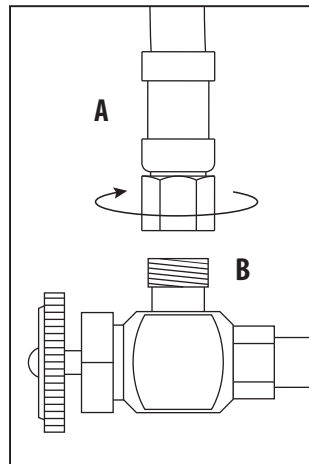


GANTRY® PULLDOWN FAUCET INSTALLATION



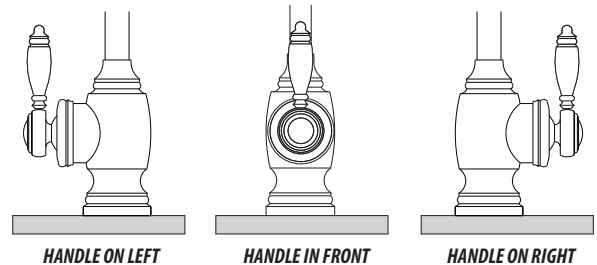
CONNECTING SUPPLY HOSES

1. Before connecting supply hoses, flush supply stops to clear any debris. Place a bucket underneath stops and run water for 5 to 10 seconds. Turn water off.
2. Carefully position hot and cold supplies so they will not interfere with other hoses.
3. Connect supply hoses (A) to supply stops (B). **DO NOT** use teflon tape or plumbers putty. Turn water back on and check for leaks.



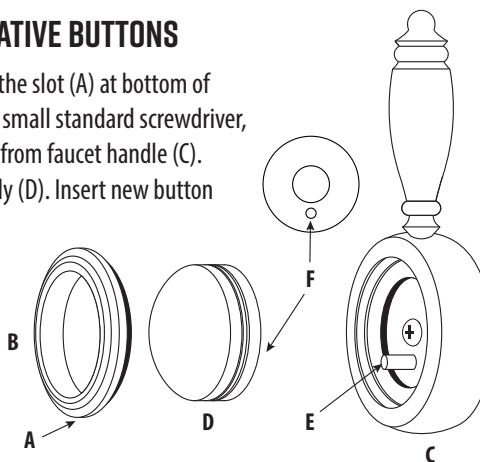
HANDLE POSITION

Waterstone faucets are designed for 3 different faucet positions. Handle on left, front and right. Your faucet is configured for the most common installation (see below). To reverse this and have the handle positioned on the left, connect the hose for cold water to the hot supply and the hose for hot water to the cold supply. This will maintain the relationship of pulling the handle for hot water or pushing for cold water.



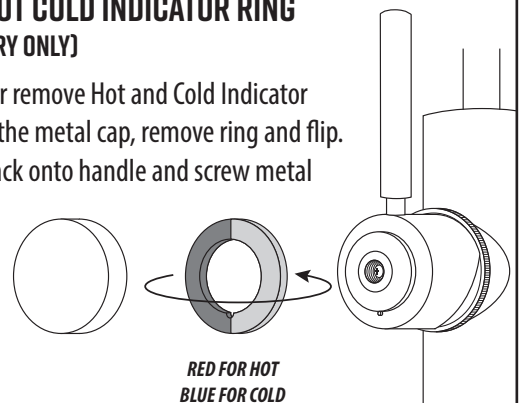
OPTIONAL DECORATIVE BUTTONS

To change button, find the slot (A) at bottom of retainer ring (B). With a small standard screwdriver, gently pry retainer ring from faucet handle (C). Remove button assembly (D). Insert new button by lining up pin (E) on handle with hole (F) on bottom of button assembly. With slot facing down, press the button retainer ring firmly back into place.



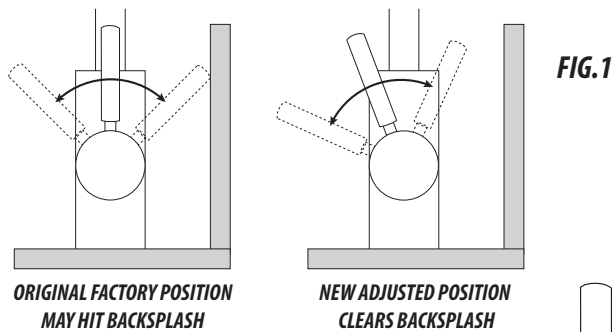
OPTIONAL HOT COLD INDICATOR RING (CONTEMPORARY ONLY)

1. To reverse, or remove Hot and Cold Indicator Ring, unscrew the metal cap, remove ring and flip.
2. Slide ring back onto handle and screw metal cap back on.



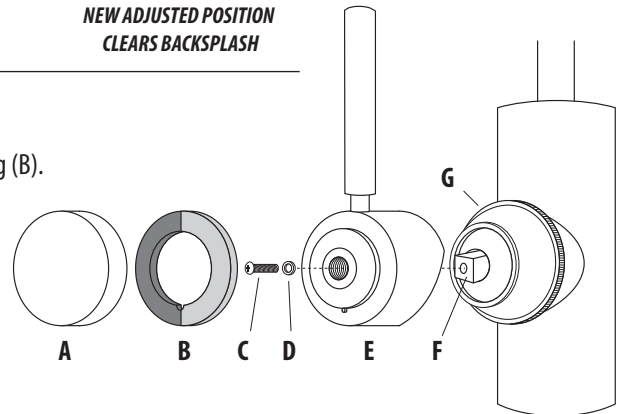
HOW TO ADJUST HANDLE POSITION AND HANDLE TENSION

On some kitchen countertops, the handle may hit the backsplash when the faucet handle is positioned to the left or right (Fig. 1). Waterstone gives you the option of adjusting the handle 45 degrees to avoid hitting backsplash.



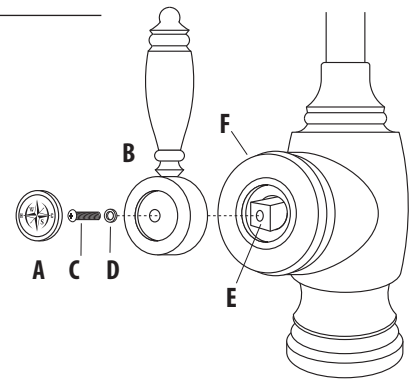
CONTEMPORARY

1. Unscrew and remove the metal cap (A). Remove Hot and Cold Indicator Ring (B).
2. Unscrew and remove holding screw (C) and washer (D).
3. Hold handle (E) in a vertical position. Pull straight off faucet. Rotate handle away from backsplash then slide handle back onto valve stem (F).
4. Insert holding screw with washer and tighten. Slide Hot and Cold Indicator Ring onto handle and thread metal cap back into place.
5. To adjust handle tension, turn ring (G) clockwise to increase or counterclockwise to decrease handle tension.

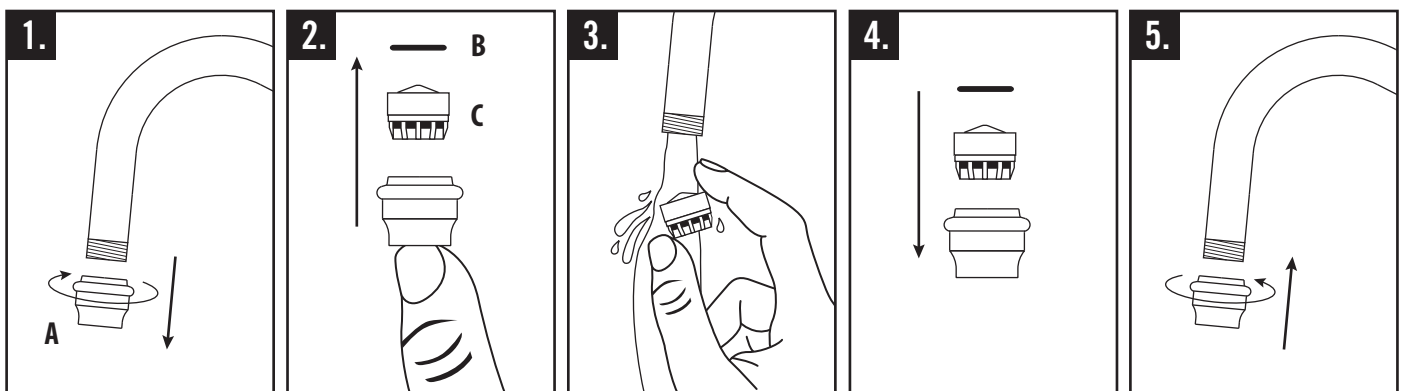


TRADITIONAL

1. Place a small standard screwdriver in the slot at the bottom of metal ring that surrounds the handle caps (A). Gently pry the cap from faucet handle (B).
2. Unscrew and remove holding screw (C) and washer (D).
3. Hold the handle (B) in a vertical position. Pull straight off faucet. Rotate handle away from backsplash then slide handle back onto valve stem (E).
4. Insert holding screw with washer and tighten. Snap handle cap back into place.
5. To adjust handle tension, turn ring (F) clockwise to increase or counterclockwise to decrease handle tension.



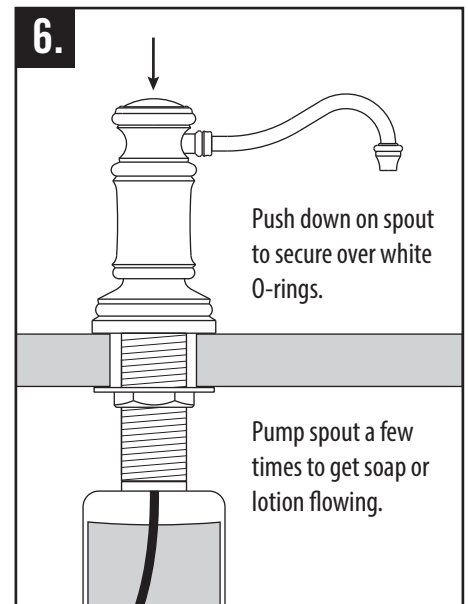
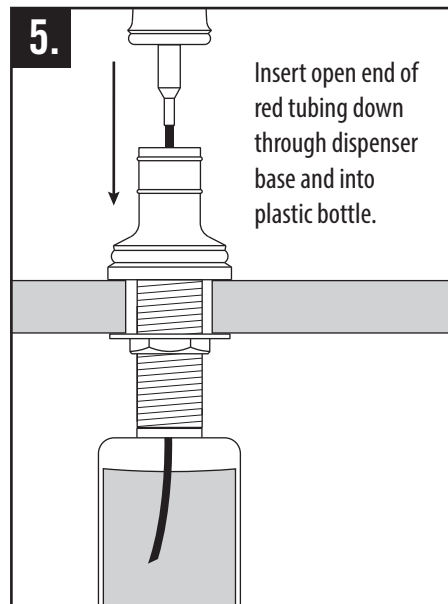
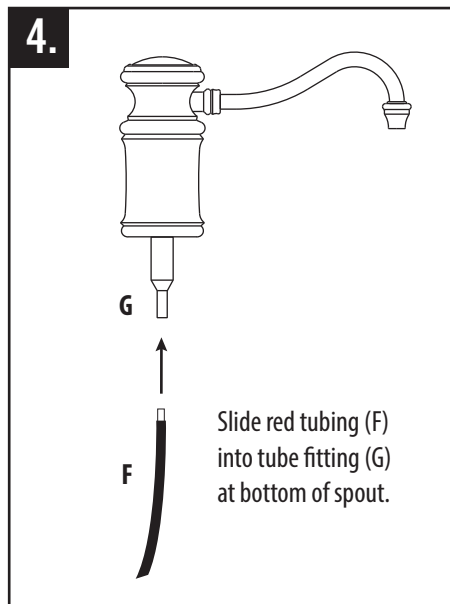
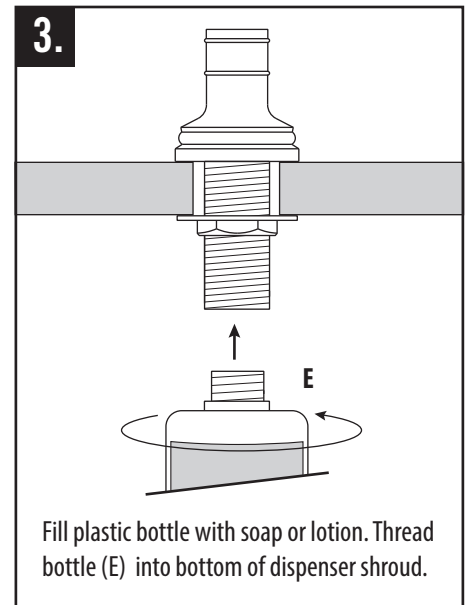
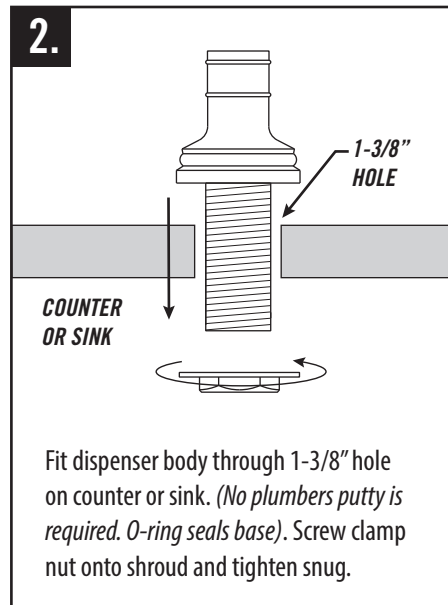
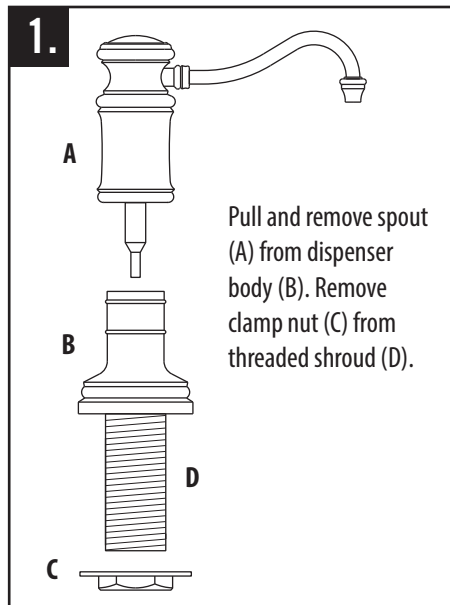
CLEANING AERATOR AND DEBRIS SCREEN



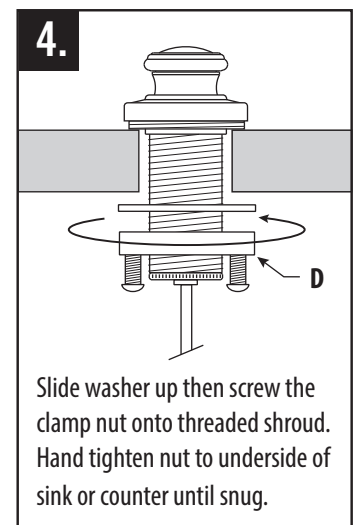
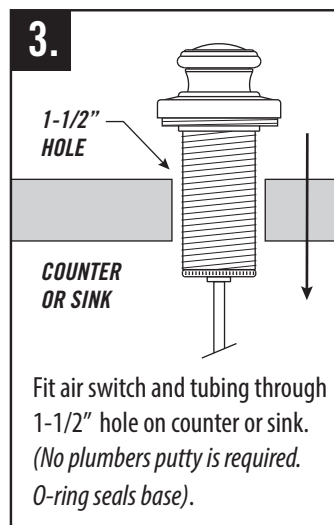
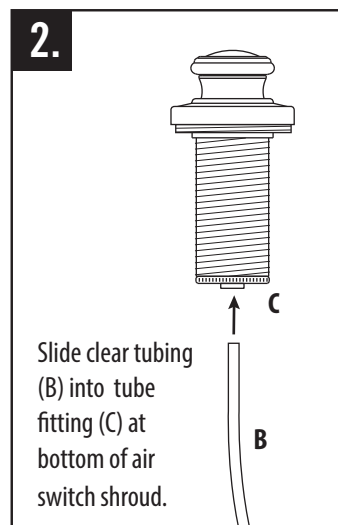
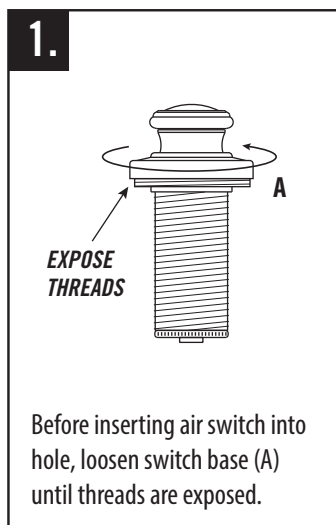
Depending on quality of your household water, the aerator and debris screen may become clogged. We recommend cleaning one week after installation, then a minimum of once of year thereafter. To remove the debris, follow the steps below.

1. Gently unscrew and remove spout tip (A) by hand.
2. Remove O-ring (B). To remove aerator (C), push with finger from bottom.
3. Thoroughly rinse aerator with water until all debris is removed.
4. Place aerator, then O-ring back into spout tip.
5. Gently screw spout tip, by hand, snugly back onto spout.

INSTALL SOAP/LOTION DISPENSER (OPTIONAL)



INSTALL AIR SWITCH (OPTIONAL)



5.

Tighten clamp screws (E) securely with screwdriver.

6.

Hand tighten switch base back down to cover threads.

7.

Slide other end of tubing (F) into tube fitting at bottom of control box (G).

8.

GARBAGE DISPOSAL

Plug control box into undersink electrical outlet. Plug garbage disposal into either dual outlet.

INSTALL SINGLE PORT AIR GAP (OPTIONAL)

1.

Twist and pull air gap cover (A) off of upper cap nut (B). Unscrew and remove cap nut from piping (C).

2.

Unscrew and remove top clamp nut (D) from both threadings on piping. Slide gasket (E) off piping and remove.

3.

From underneath countertop, fit air gap piping upward through 1-1/2" hole.

4.

Slide gasket down and screw top clamp nut back onto piping. Adjust the two clamp nuts to fit countertop thickness. (No plumbers putty is required).

5.

Screw cap nut back onto top of piping until snug. Slide air gap over cap nut and top clamp nut. Be sure to have overflow holes (F) facing sink.

6.

Slide small intake hose (G) over small connector. Slide larger drainage hose (H) over large connector. Tighten hose clamps. Turn on water supply and check for leaks.

INSTALL DUAL PORT AIR GAP (OPTIONAL)

1.

Pull air gap (A) off of upper cap nut (B). Unscrew and remove cap nut from piping (C).

2.

Unscrew and remove top clamp nut (D) from both threadings on piping. Slide gasket (E) off piping and remove.

3.

From underneath counter top, fit air gap piping upward through 1-1/2" hole.

4.

Slide gasket down and screw top clamp nut back onto piping. Adjust the two clamp nuts to fit countertop thickness. *(No plumbers putty is required).*

5.

Screw cap nut back onto top of piping until snug. Slide air gap over cap nut and top clamp nut. Be sure to have overflow holes (F) facing sink.

6.

Slide small intake hose (G) over small connector. Slide larger drainage hose (H) over large connector. Tighten hose clamps.

Third intake hole (J) has 3 options. Use hose connector (K) for additional dishwasher, use filtration hose connector (L) for reverse osmosis unit, or use solid cap (M) to plug third hole.

