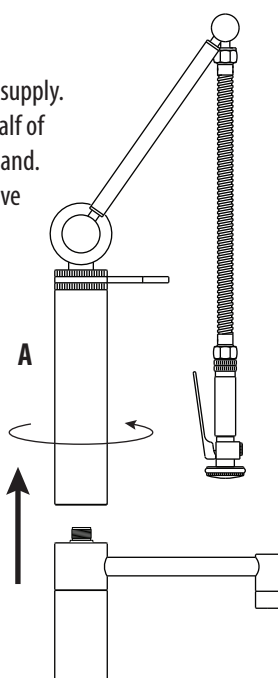


DIVERTER REPLACEMENT GUIDE

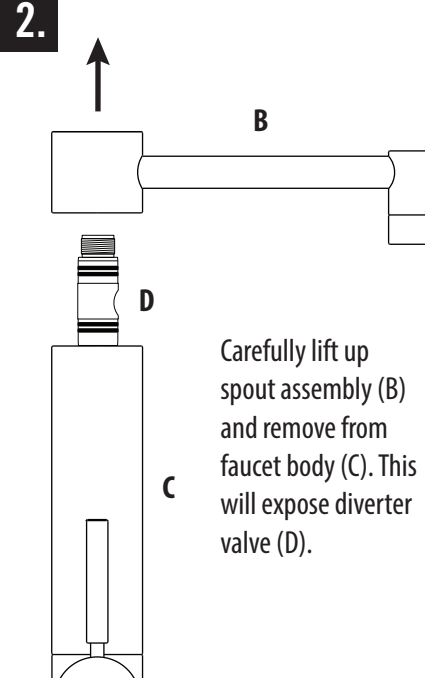
GANTRY FAUCET MODEL #S 3700, 3710-12, 3710-18

1.

Turn off water supply. Unscrew top half of faucet (A) by hand. Carefully remove and set aside.

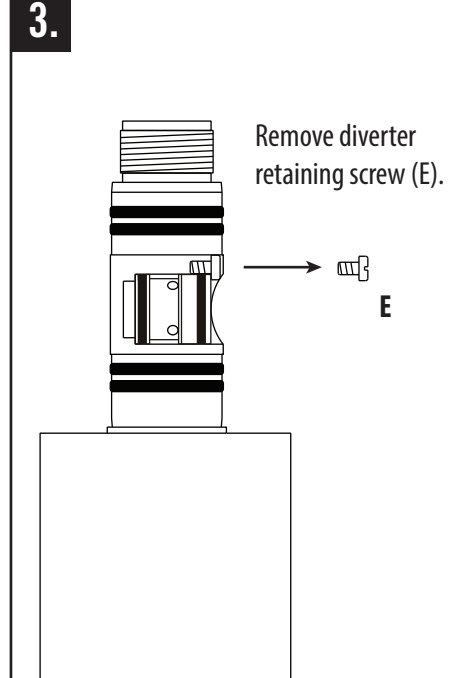


2.



Carefully lift up spout assembly (B) and remove from faucet body (C). This will expose diverter valve (D).

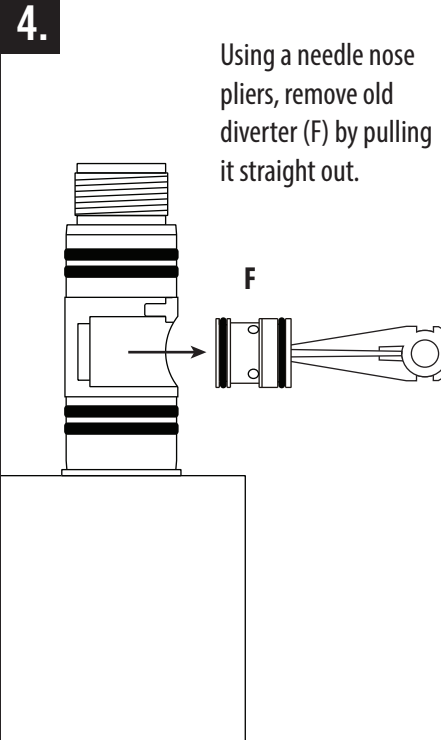
3.



Remove diverter retaining screw (E).

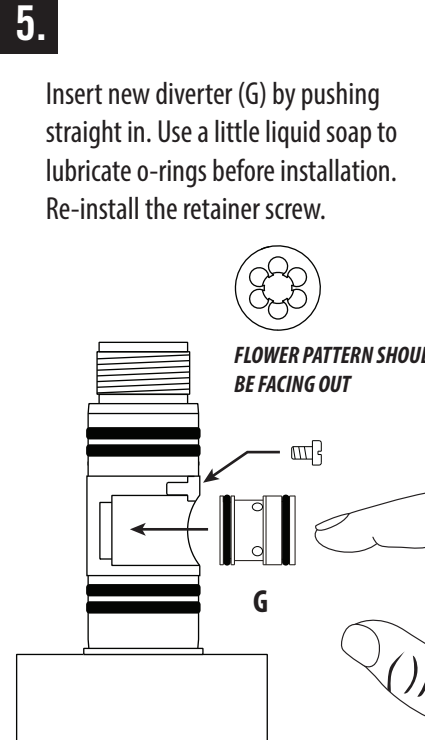
4.

Using a needle nose pliers, remove old diverter (F) by pulling it straight out.



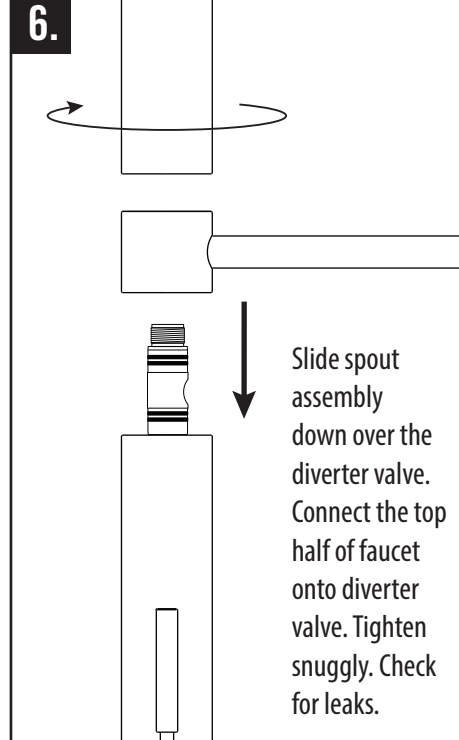
5.

Insert new diverter (G) by pushing straight in. Use a little liquid soap to lubricate o-rings before installation. Re-install the retainer screw.



FLOWER PATTERN SHOULD BE FACING OUT

6.



Slide spout assembly down over the diverter valve. Connect the top half of faucet onto diverter valve. Tighten snugly. Check for leaks.