

BEFORE YOU BEGIN YOUR INSTALLATION:



Turn off water supply.

REQUIRED TOOLS:



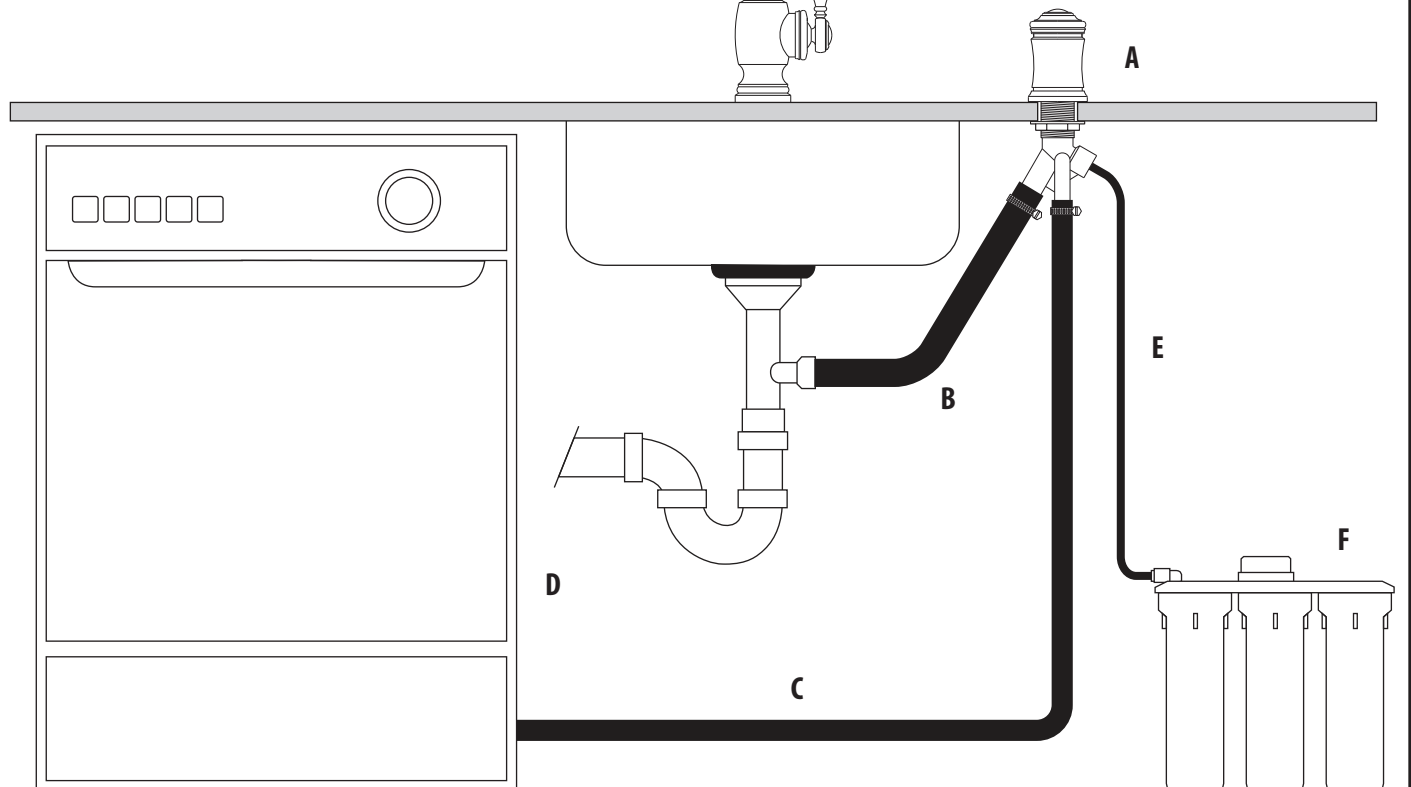
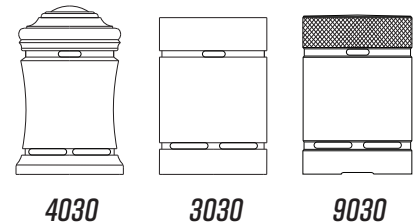
1. Phillips Screwdriver

PARTS INCLUDED:

Optional Button Caps -
Logo and Finish
(TRADITIONAL MODELS ONLY)

- A. DUAL PORT AIR GAP**
- B. DRAINAGE HOSE***
- C. INTAKE HOSE***
- D. DISHWASHER**
- E. BRINE DISCHARGE HOSE***
- F. REVERSE OSMOSIS FILTRATION UNIT**

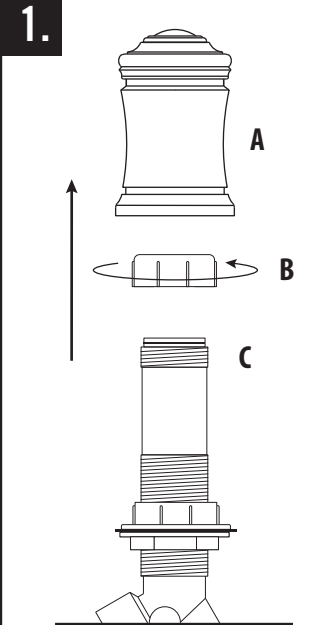
*NOT INCLUDED



DUAL PORT AIR GAP INSTALLATION

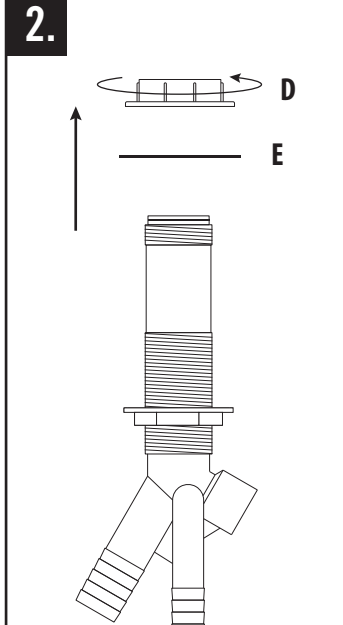
MODELS # 3030, 4030, 9030

1.



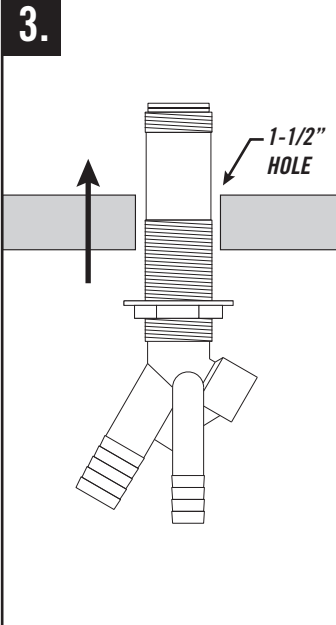
Pull air gap (A) off of upper cap nut (B). Unscrew and remove cap nut from piping (C).

2.



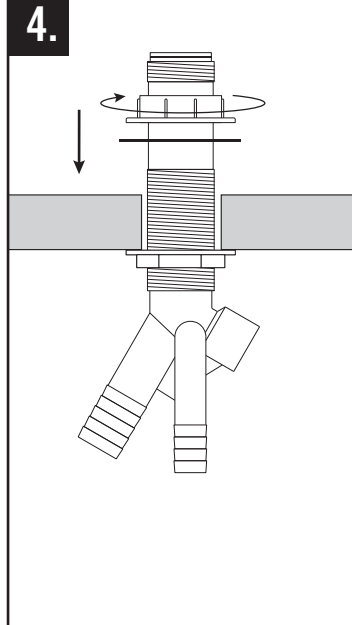
Unscrew and remove top clamp nut (D) from both threadings on piping. Slide gasket (E) off piping and remove.

3.



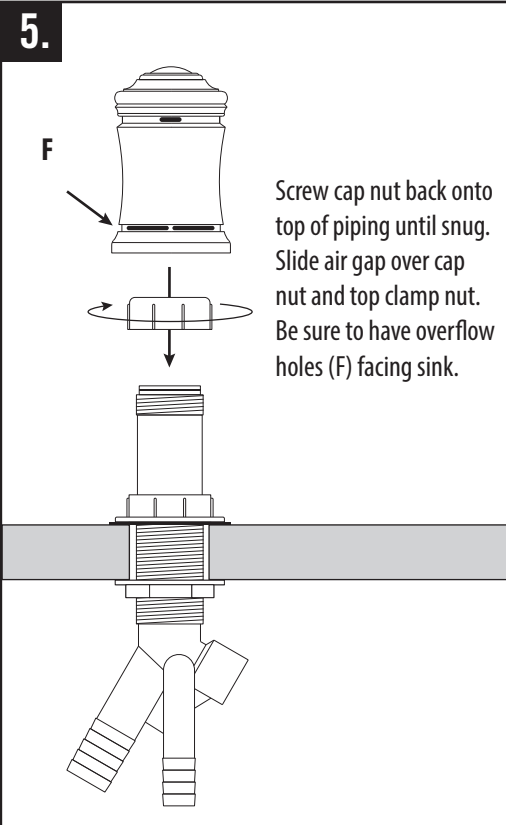
From underneath counter top, fit air gap piping upward through 1-1/2" hole.

4.



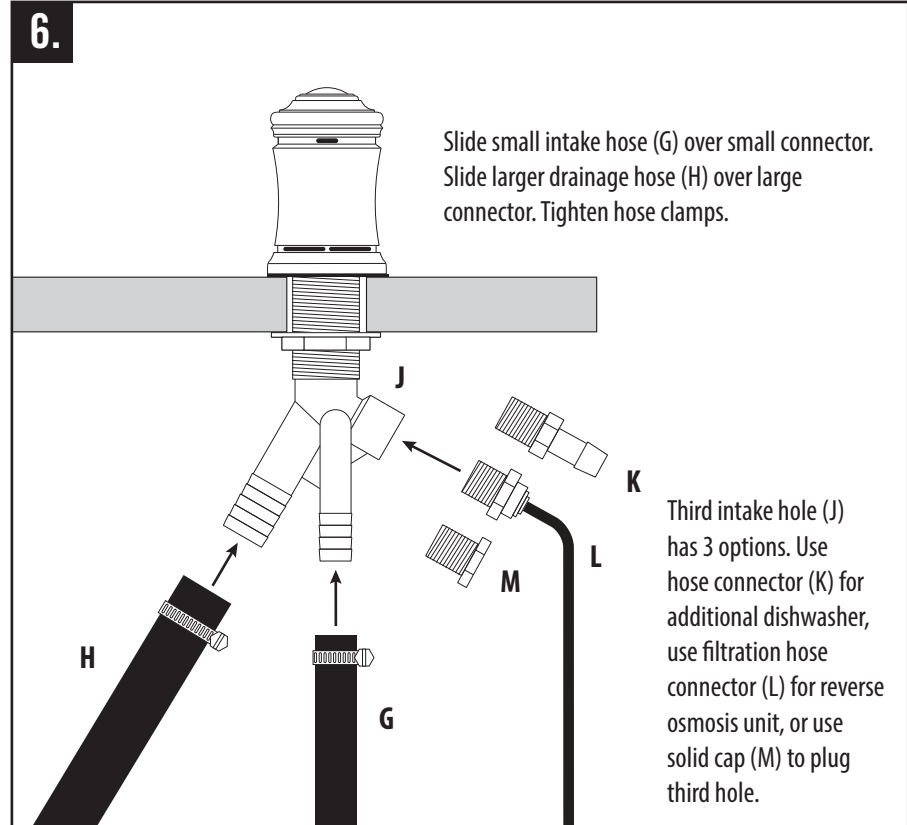
Slide gasket down and screw top clamp nut back onto piping. Adjust the two clamp nuts to fit countertop thickness. *(No plumbers putty is required).*

5.



Screw cap nut back onto top of piping until snug. Slide air gap over cap nut and top clamp nut. Be sure to have overflow holes (F) facing sink.

6.



Slide small intake hose (G) over small connector. Slide larger drainage hose (H) over large connector. Tighten hose clamps.

Third intake hole (J) has 3 options. Use hose connector (K) for additional dishwasher, use filtration hose connector (L) for reverse osmosis unit, or use solid cap (M) to plug third hole.