

COUNTER MOUNTED POTFILLER VALVE CARTRIDGE REPLACEMENT GUIDE

TRADITIONAL MODELS # 3300, 3350

BEFORE YOU BEGIN YOUR INSTALLATION:



Turn off water supply.

REQUIRED TOOLS:



Phillips Screwdriver

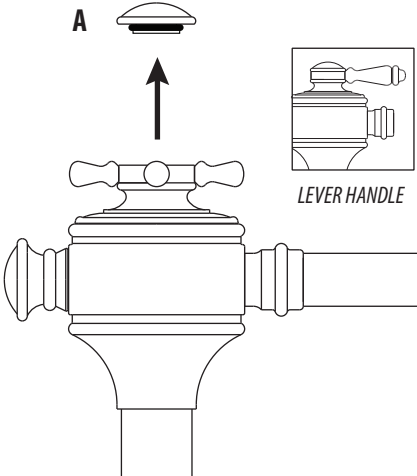


1-1/4" and 1/2"
Socket Wrench



Adjustable Wrench

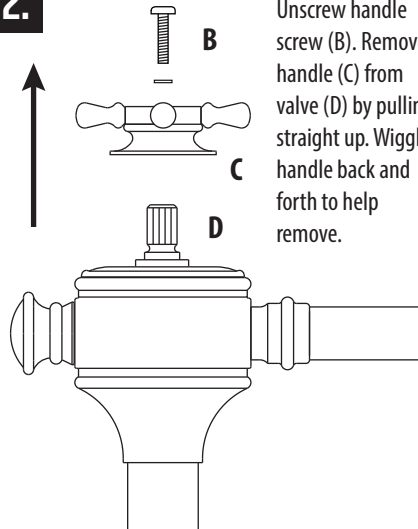
1. Remove compass button (A) with fingers.



A

LEVER HANDLE

2. Unscrew handle screw (B). Remove handle (C) from valve (D) by pulling straight up. Wiggle handle back and forth to help remove.

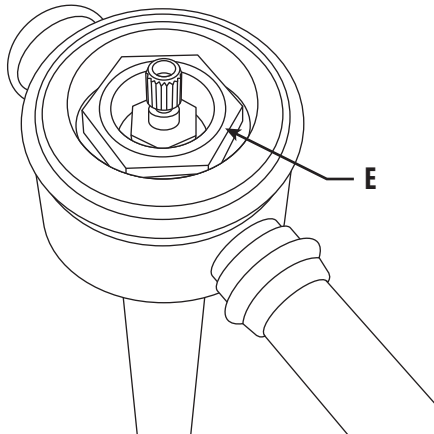


B

C

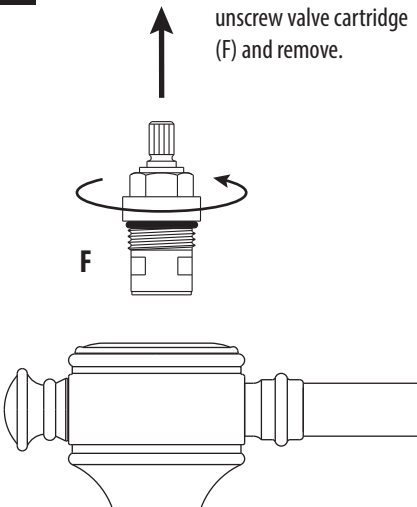
D

3. Using 1-1/4" socket wrench, unscrew valve retaining nut (E).



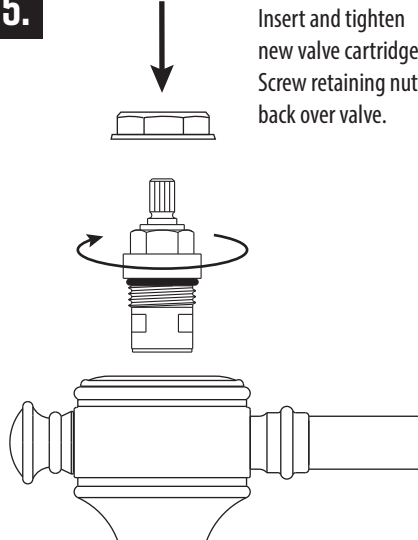
E

4. Using 1/2" socket wrench, unscrew valve cartridge (F) and remove.



F

5. Insert and tighten new valve cartridge. Screw retaining nut back over valve.



6. Slide handle back over valve spline. Check handle alignment. Replace handle screw and tighten. Snap compass button back in place.

