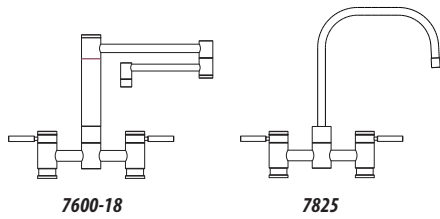
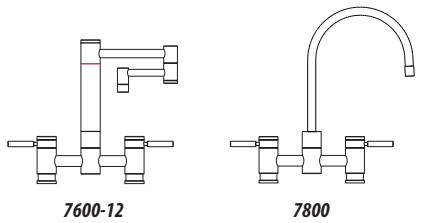


CONTEMPORARY BRIDGE FAUCET INSTALLATION INSTRUCTIONS

Model #s:

7600-12, 7600-18, 7800, 7825



BEFORE YOU BEGIN YOUR INSTALLATION:

1



Turn off water supply.

2



Observe all local plumbing codes.

3



Inspect plumbing for signs of damage. Replace as necessary.

4



DO NOT use petroleum based products on this faucet.

REQUIRED TOOLS:



Adjustable Wrench



Basin Wrench

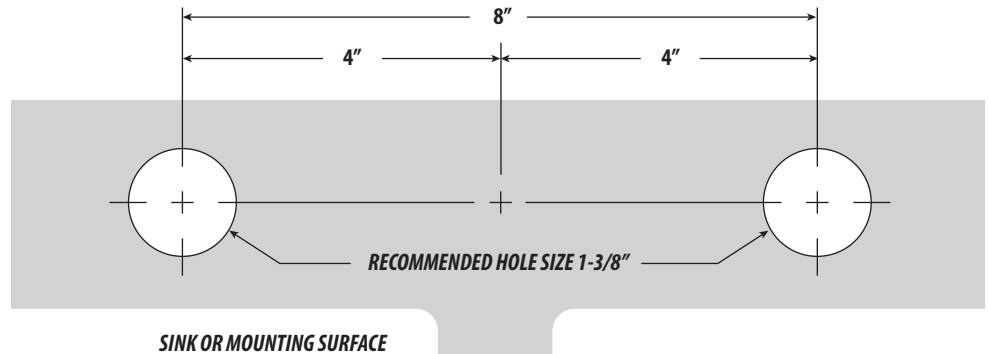


Phillips Screwdriver

FAUCET HOLE PLACEMENT

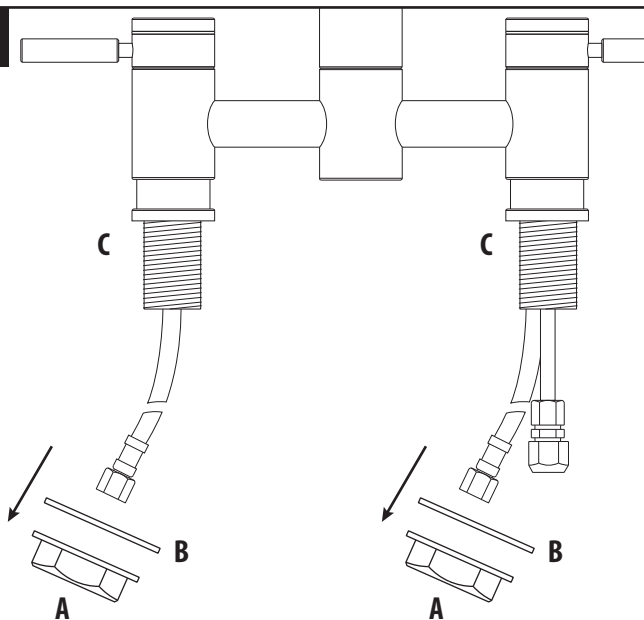
1.

Recommended deck hole 1-3/8". Drill holes for bridge faucet in mounting surface 8" on center. **OPTIONAL SIDE SPRAY:** We recommend installing the side spray hole a minimum of 4-3/4" away from nearest mounting hole of faucet.



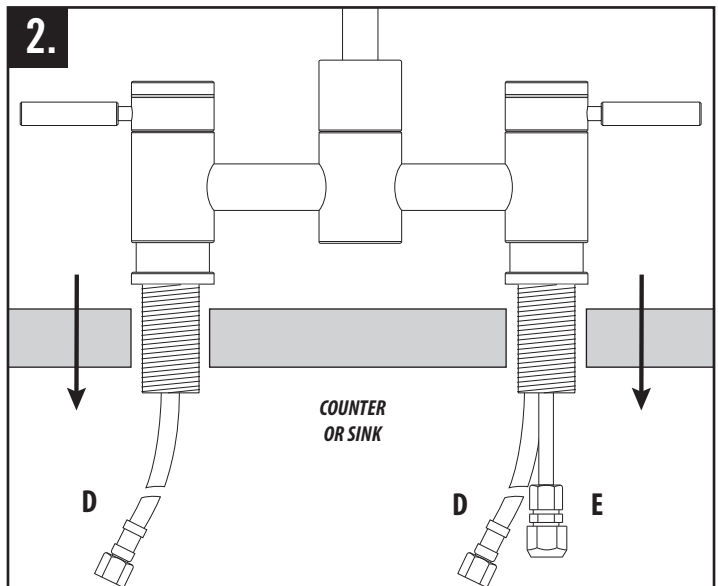
FAUCET INSTALLATION

1.



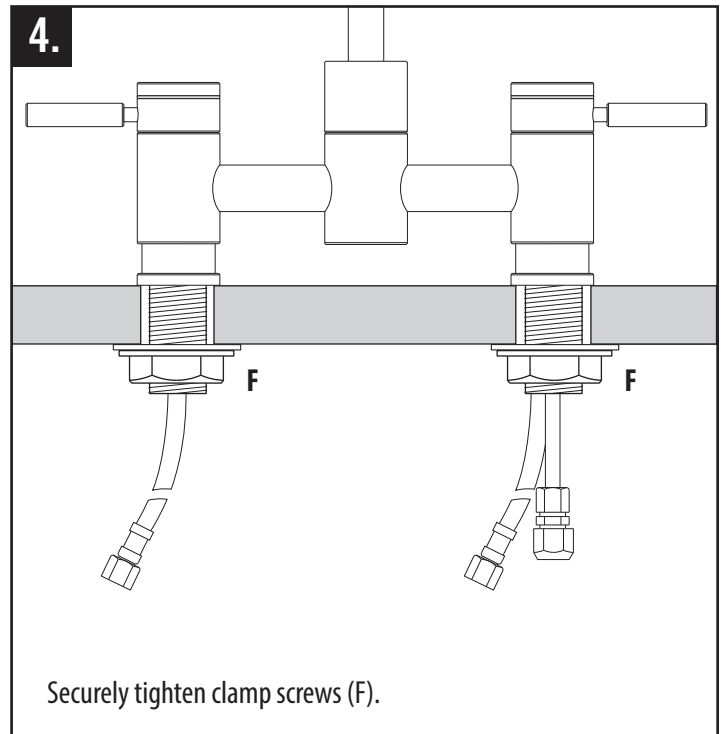
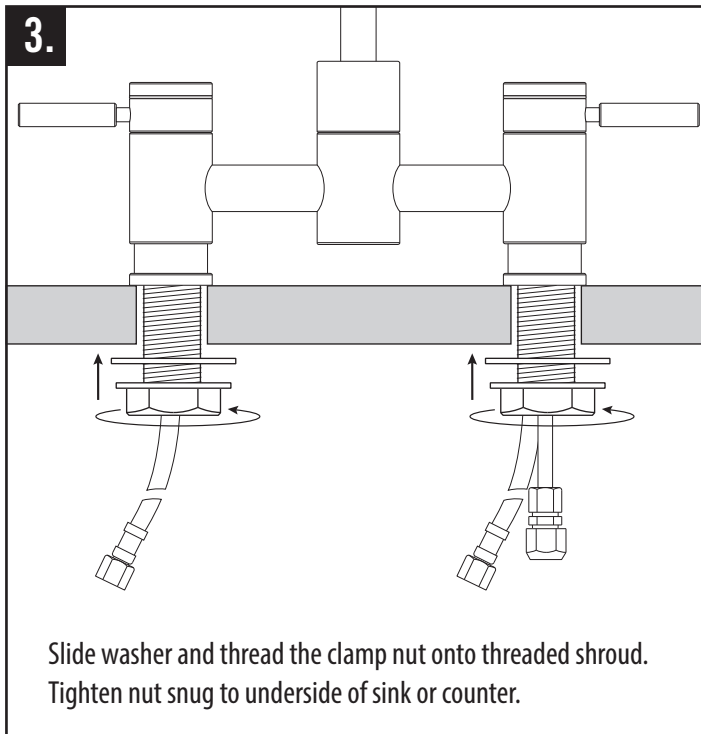
Remove clamp nuts (A) and washers (B) from threaded shrouds (C).

2.



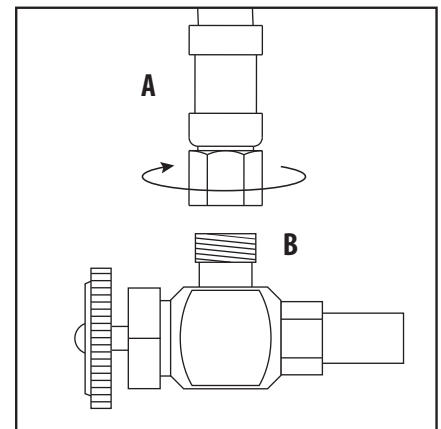
Fit flexible hoses (D) and rigid sidespray tube (E) through holes on counter or sink. (No plumbers putty is required. O-rings seals base).

FAUCET INSTALLATION

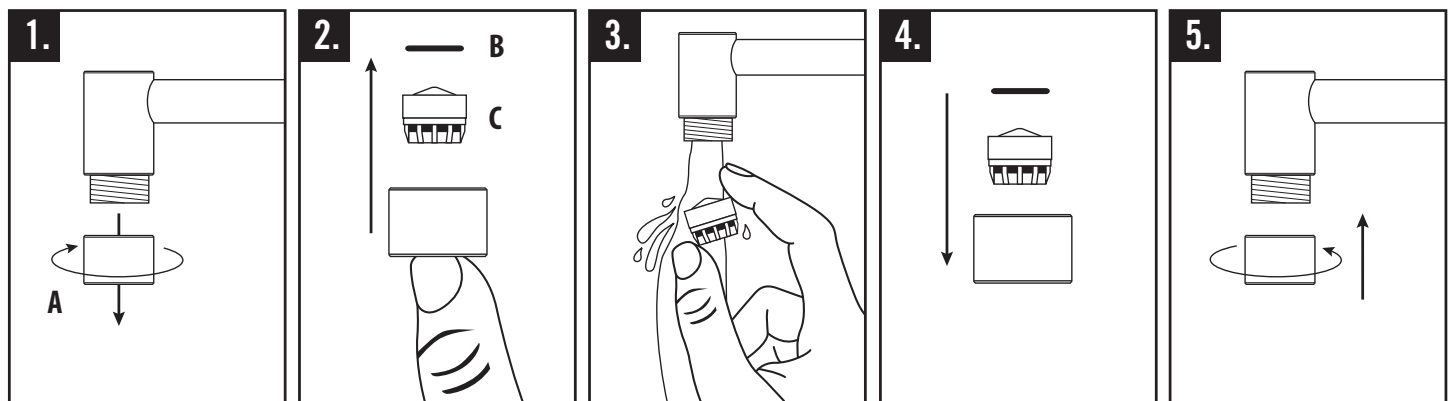


CONNECTING SUPPLY HOSES

Before connecting supply hoses, flush supply stops to clear any debris. Place a bucket underneath stops and run water for 5 to 10 seconds. Turn water off. Carefully position hot and cold supplies so they will not interfere with other hoses. Connect supply hoses (A) to supply stops (B). **DO NOT** use teflon tape or plumbers putty. Turn water back on and check for leaks.



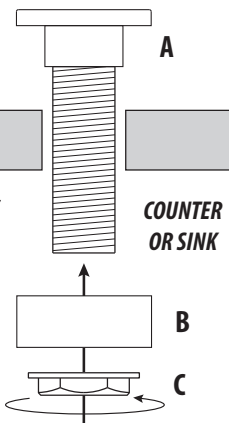
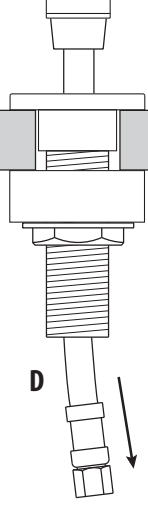
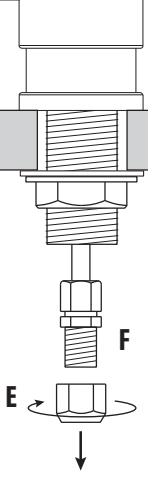
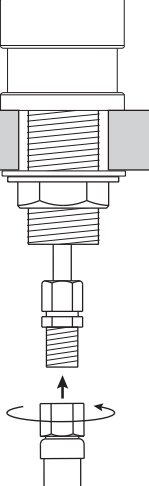
CLEANING AERATOR AND DEBRIS SCREEN



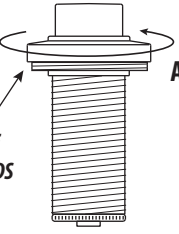
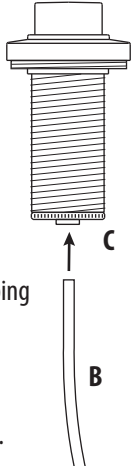
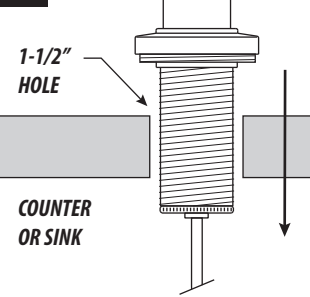
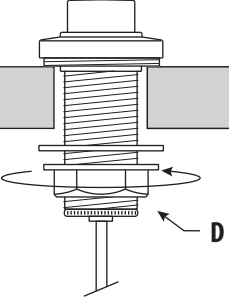
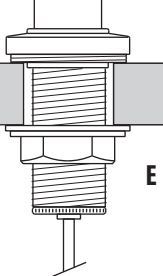
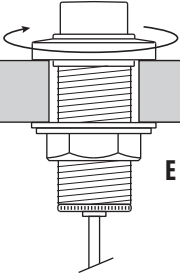
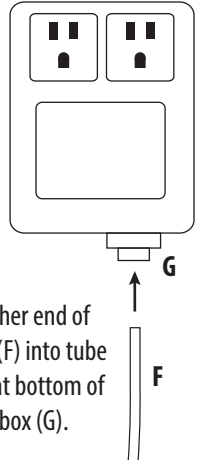
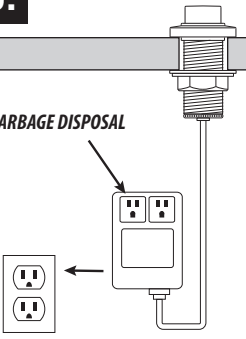
Depending on quality of your household water, the aerator and debris screen may become clogged. We recommend cleaning one week after installation, then a minimum of once of year thereafter. To remove the debris, follow the steps below.

1. Gently unscrew and remove spout tip (A) by hand.
2. Remove O-ring (B). To remove aerator (C), push with finger from bottom.
3. Thoroughly rinse aerator with water until all debris is removed.
4. Place aerator, then O-ring back into spout tip.
5. Gently screw spout tip, by hand, snugly back onto spout.

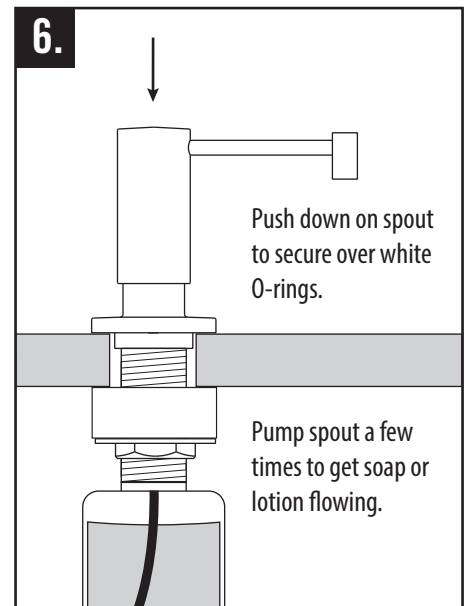
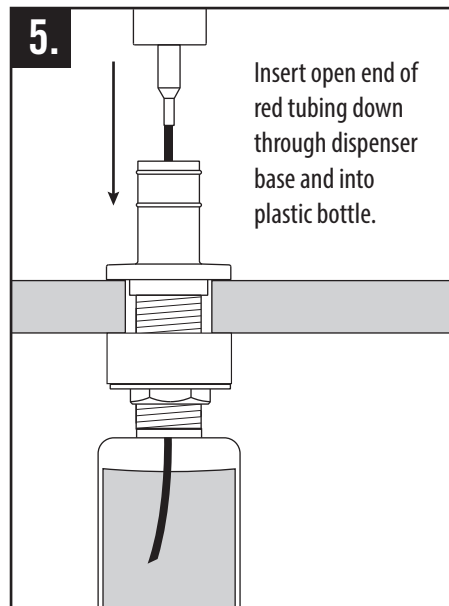
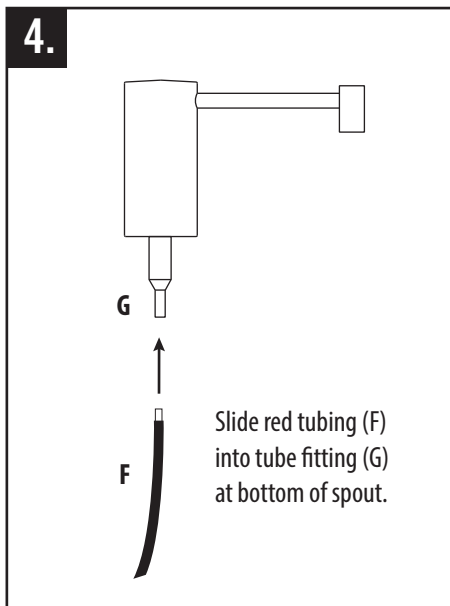
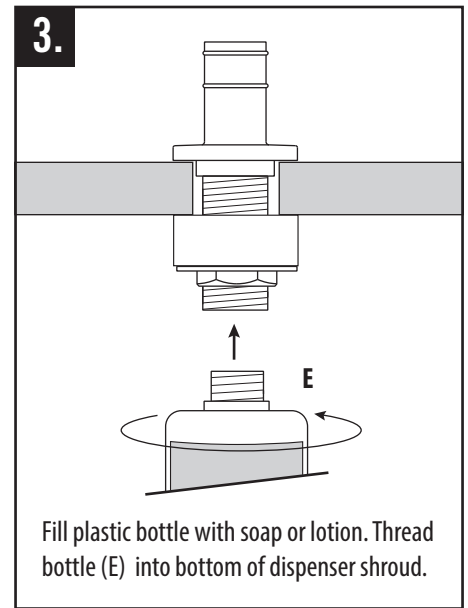
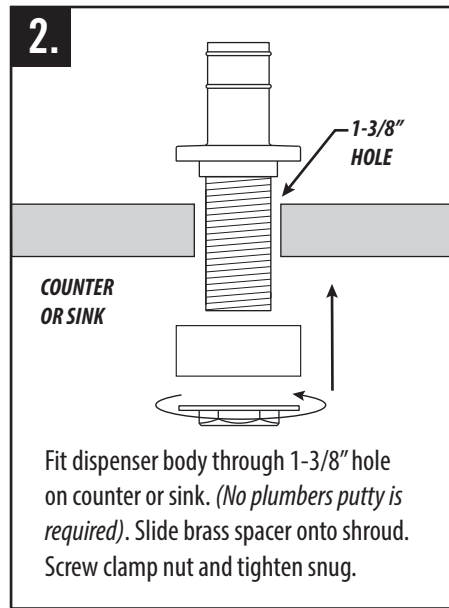
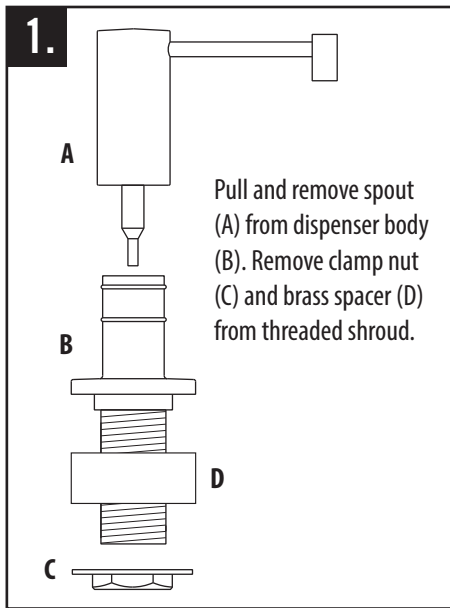
CONNECTING SIDE SPRAY (OPTIONAL)

<p>1.</p>  <p>A COUNTER OR SINK B C</p> <p>Insert side spray base (A) into hole on your sink or counter. No plumbers putty is required. O-ring seals base. Slide spacer (B), then thread attaching nut (C) and securely tighten.</p>	<p>2.</p>  <p>D</p> <p>Slide sidespray hose (D) through side spray base.</p>	<p>3.</p>  <p>G F E</p> <p>Remove hose cap (E) from end of sidespray hose tube (F) on faucet (G).</p>	<p>4.</p>  <p>Connect and tighten end of sidespray hose to sidespray hose tube. Check for leaks.</p>
---	---	---	--

INSTALL AIR SWITCH (OPTIONAL)

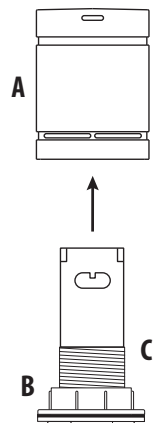
<p>1.</p>  <p>A EXPOSE THREADS</p> <p>Before inserting air switch into hole, loosen switch base (A) until threads are exposed.</p>	<p>2.</p>  <p>C B</p> <p>Slide clear tubing (B) into tube fitting (C) at bottom of air switch shroud.</p>	<p>3.</p>  <p>1-1/2" HOLE COUNTER OR SINK</p> <p>Fit air switch and tubing through 1-1/2" hole on counter or sink. (No plumbers putty is required. O-ring seals base).</p>	<p>4.</p>  <p>D</p> <p>Slide washer up then screw the clamp nut onto threaded shroud. Hand tighten nut to underside of sink or counter until snug.</p>
<p>5.</p>  <p>E</p> <p>Tighten clamp screws (E) securely with screwdriver.</p>	<p>6.</p>  <p>E</p> <p>Hand tighten switch base back down to cover threads.</p>	<p>7.</p>  <p>G F</p> <p>Slide other end of tubing (F) into tube fitting at bottom of control box (G).</p>	<p>8.</p>  <p>GARBAGE DISPOSAL</p> <p>Plug control box into undersink electrical outlet. Plug garbage disposal into either dual outlet.</p>

INSTALL SOAP/LOTION DISPENSER (OPTIONAL)



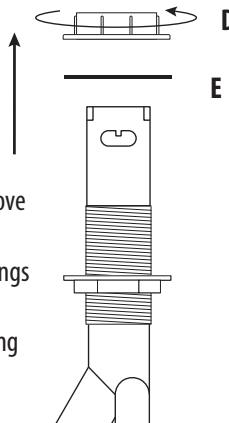
INSTALL SINGLE PORT AIR GAP (OPTIONAL)

1.



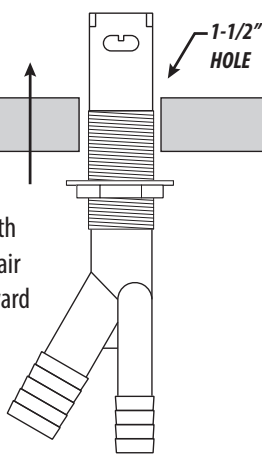
Twist and pull air gap cover (A) off of upper cap nut (B). Unscrew and remove cap nut from piping (C).

2.



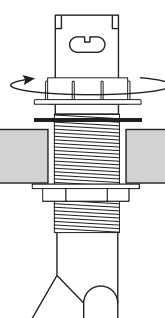
Unscrew and remove top clamp nut (D) from both threadings on piping. Slide gasket (E) off piping and remove.

3.



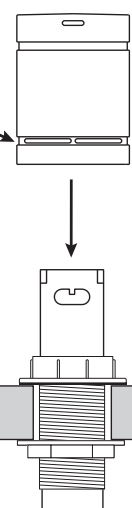
From underneath counter top, fit air gap piping upward through 1-1/2" hole.

4.



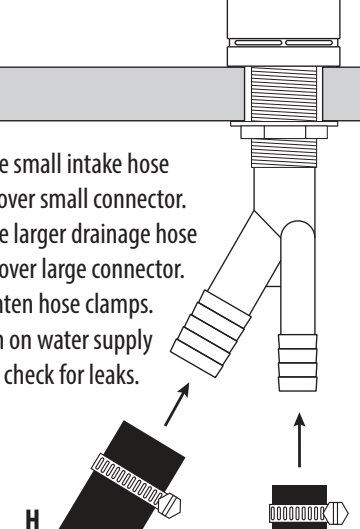
Slide gasket down and screw top clamp nut back onto piping. Adjust the two clamp nuts to fit countertop thickness. (No plumbers putty is required).

5.



Screw cap nut back onto top of piping until snug. Slide air gap over cap nut and top clamp nut. Be sure to have overflow holes (F) facing sink.

6.



Slide small intake hose (G) over small connector. Slide larger drainage hose (H) over large connector. Tighten hose clamps. Turn on water supply and check for leaks.



1-888-304-0660 • 951-304-0520
www.waterstoneco.com

MADE IN THE USA
SINCE 1999

VEN-038-CBRG Rev. C