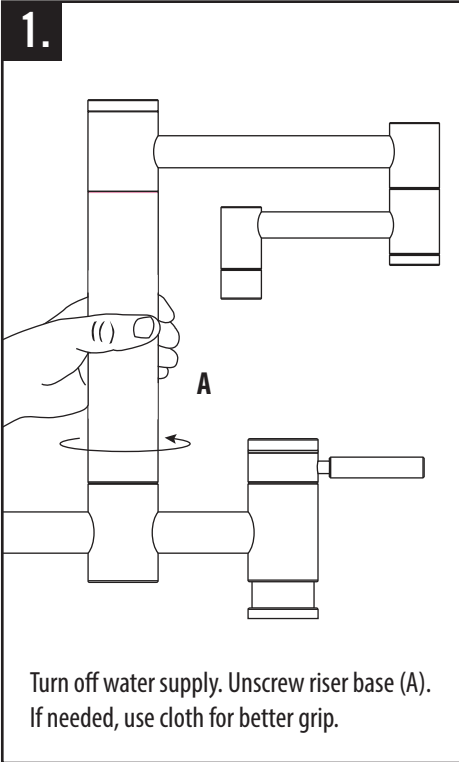


DIVERTER REPLACEMENT GUIDE

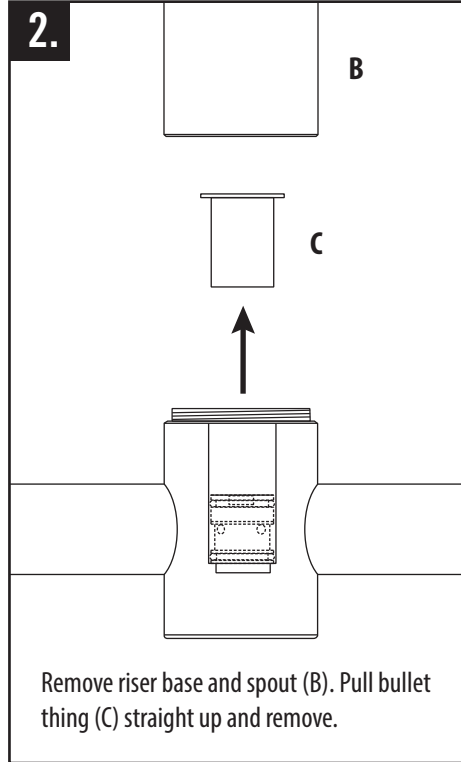
CONTEMPORARY BRIDGE FAUCET MODEL #S 7600-I2, 7600-I8

1.



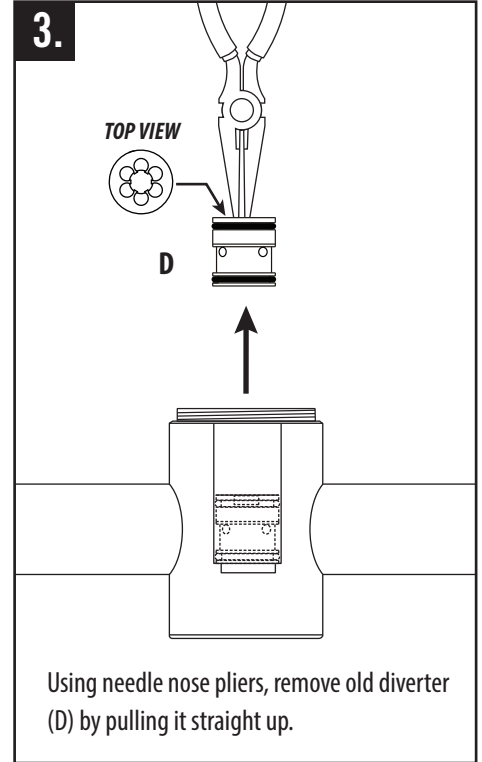
Turn off water supply. Unscrew riser base (A). If needed, use cloth for better grip.

2.



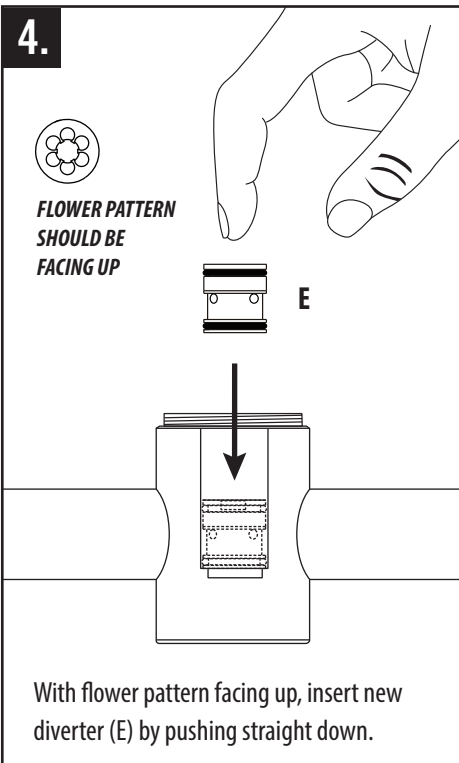
Remove riser base and spout (B). Pull bullet thing (C) straight up and remove.

3.



Using needle nose pliers, remove old diverter (D) by pulling it straight up.

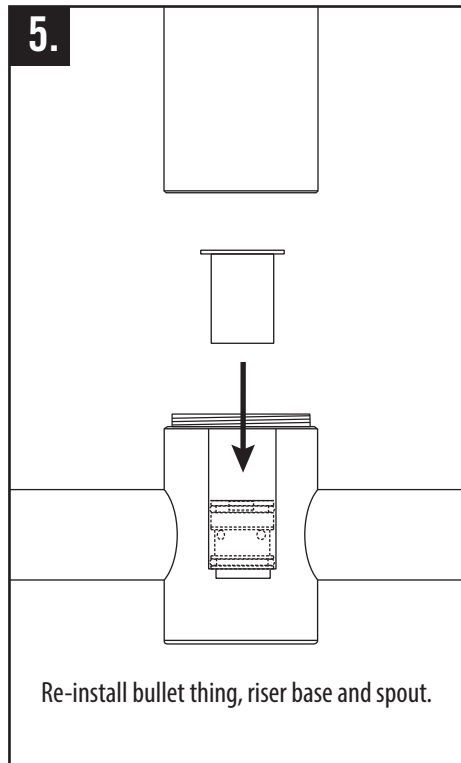
4.



FLOWER PATTERN SHOULD BE FACING UP

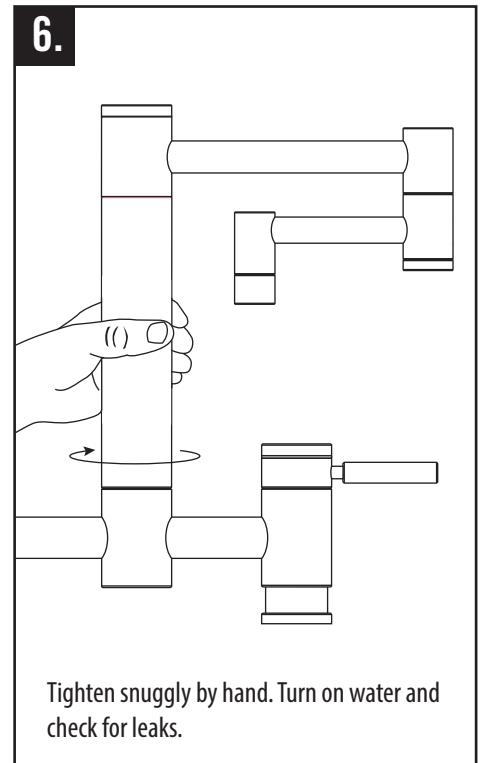
With flower pattern facing up, insert new diverter (E) by pushing straight down.

5.



Re-install bullet thing, riser base and spout.

6.



Tighten snugly by hand. Turn on water and check for leaks.

★ MADE IN THE USA ★

1-888-304-0660 • 951-304-0520

www.waterstoneco.com

VEN-038-RK-CBFD Rev. C