

ARTICULATED SPOUT O-RING REPLACEMENT

CONTEMPORARY MODEL #S 3200, 3400, 3600-I2, 3600-I8,
3710-I2, 3710-I8, 7600-I2, 7600-I8

BEFORE YOU BEGIN YOUR INSTALLATION:



REQUIRED TOOLS:

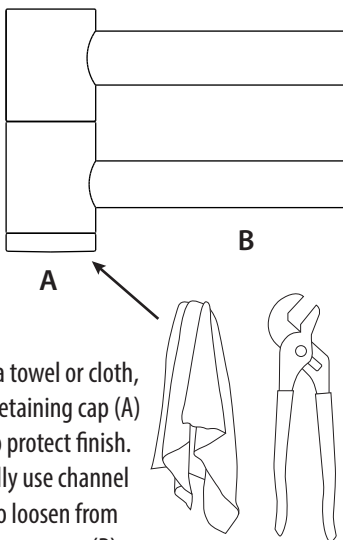


Small Standard Screwdriver



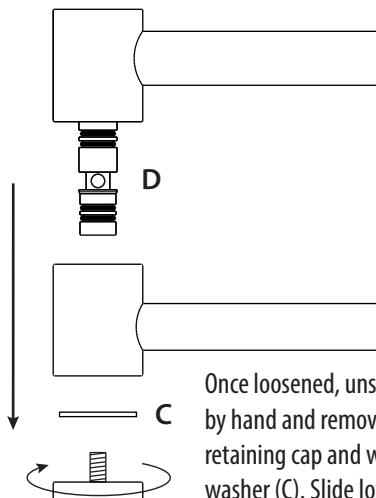
Channel Locks

1.



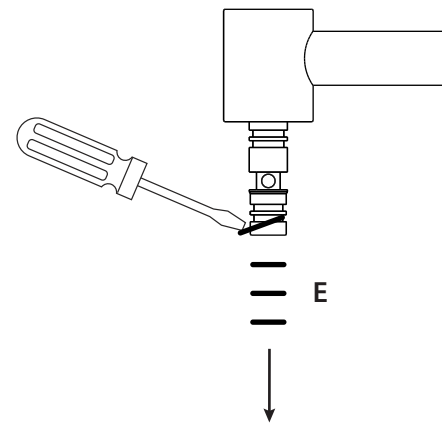
Using a towel or cloth, cover retaining cap (A) to help protect finish. Carefully use channel locks to loosen from lower spout arm (B).

2.



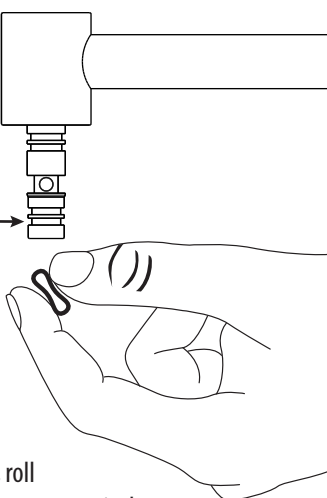
Once loosened, unscrew by hand and remove retaining cap and white washer (C). Slide lower spout arm from upper spout swivel (D).

3.



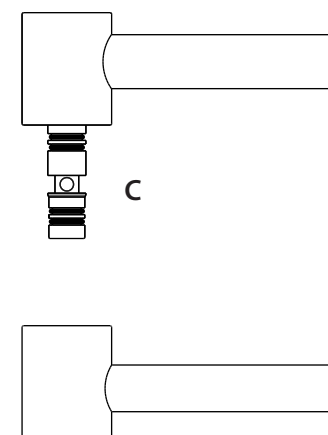
Use a small standard screwdriver and pry all four O-rings (E) from spout swivel.

4.



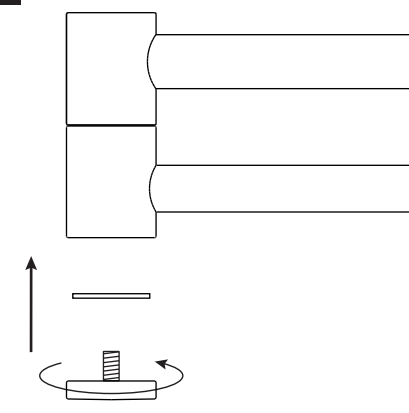
To replace, roll O-rings onto spout swivel and insert into O-ring grooves (F). Repeat with remaining O-rings.

5.



Slide lower spout arm back onto upper spout swivel.

6.



Screw retainer cap to lower spout arm. Carefully tighten snugly with cloth and channel locks. Turn on water and check for leaks

★ MADE IN THE USA ★

1-888-304-0660 • 951-304-0520

www.waterstoneco.com

VEN-038-ASOR Rev. A