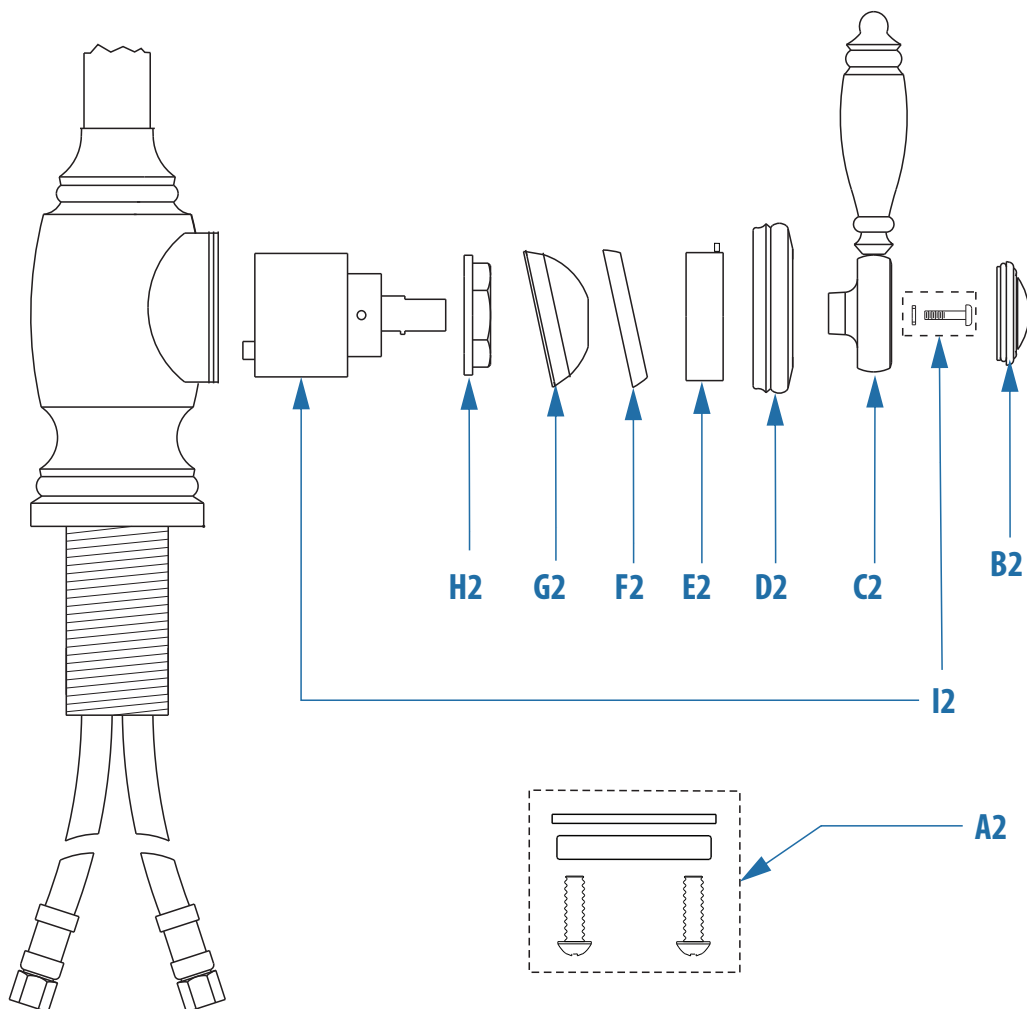


FIELD GUIDE - GANTRY PULLDOWN FAUCET

Traditional Model # 4410-12, 4410-18

41180 Raintree Court • Murrieta, CA 92562
1-888-304-0660 • www.waterstoneco.com

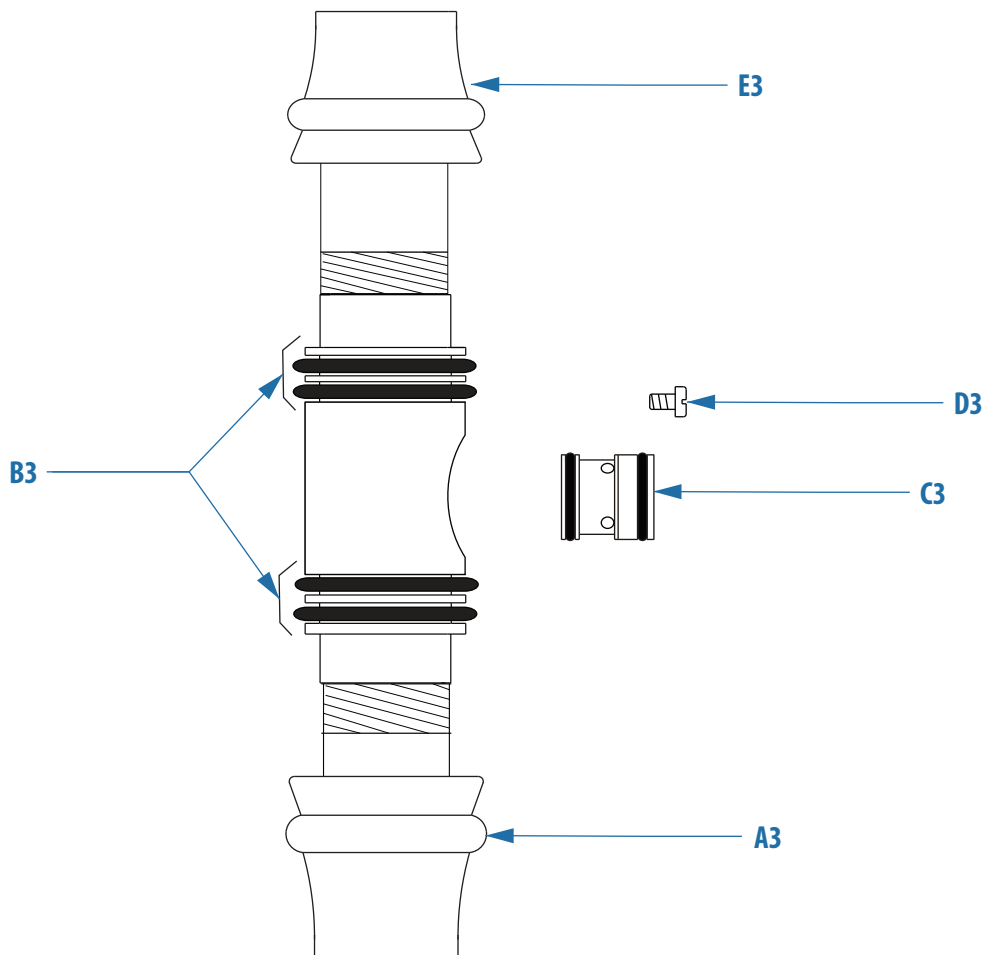


FIELD SERVICEABLE PART LIST

	DESCRIPTION	PART NUMBER
A2.	Install hardware	HK-USM1250
B2.	Handle cap standard	RK-TFCSTD-XX*
C2.	Traditional faucet handle	RK-TKFLH-XX*
D2.	Tension ring	RK-4039-XX*
E2.	Friction collar	MFG-4041-RBR
F2.	PTFE friction lock	MFG-4035-RPL

	DESCRIPTION	PART NUMBER
G2.	Ball joint	RK-4034-XX*
H2.	Cartridge retainer nut	MFG-4963-RBR
I2.	Cartridge	RK-PTC35

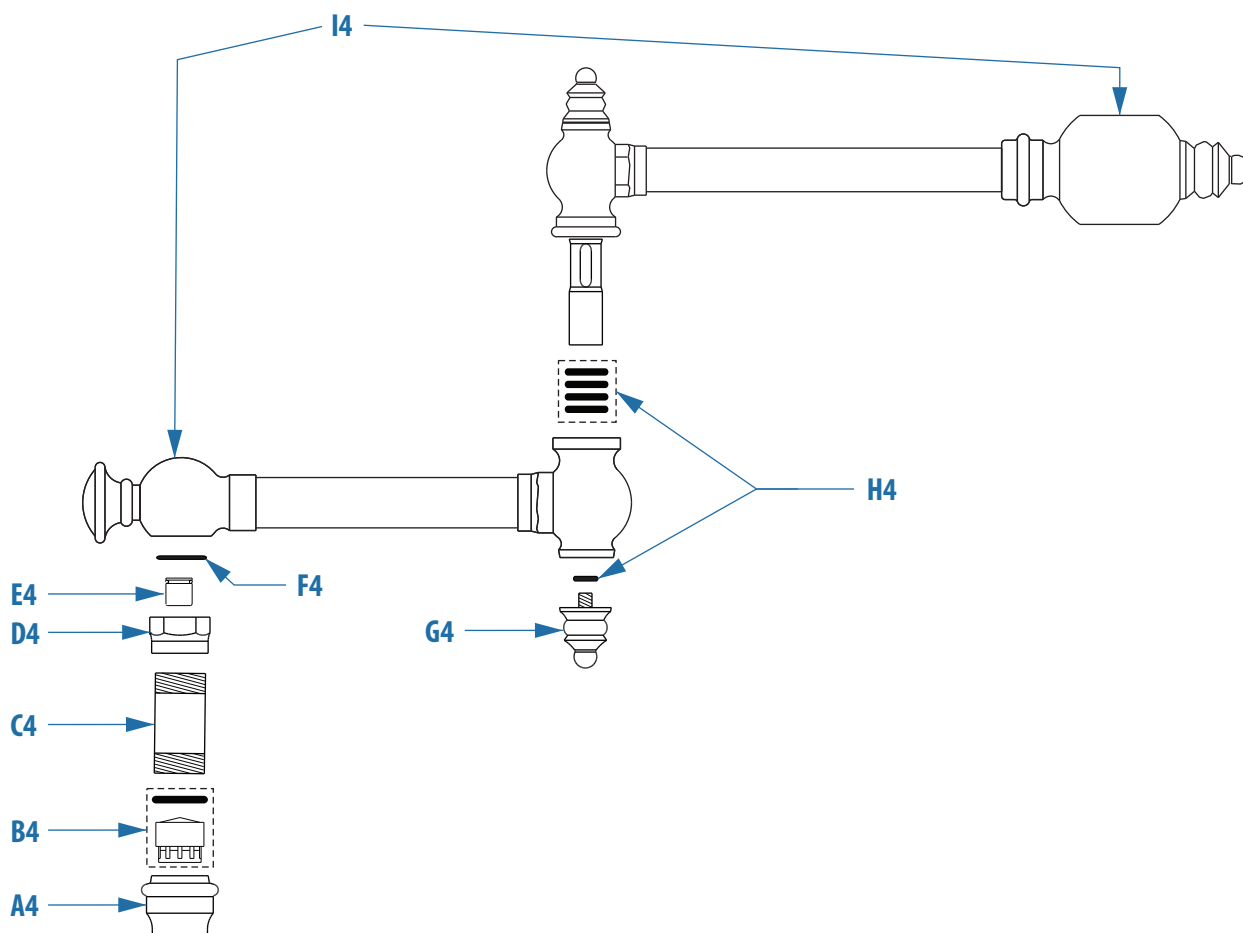
Replace XX with finish code



FIELD SERVICEABLE PART LIST

	DESCRIPTION	PART NUMBER
A3.	Swivel support	RK-4106-XX*
B3.	Swivel seal kit	RK-TGDR
C3.	Gantry diverter	RK-GFD
D3.	4-40X3/16 set screw	VEN-002-0016-00SS
E3.	Swivel retainer	RK-4110-XX*

Replace XX with finish code



FIELD SERVICEABLE PART LIST

	DESCRIPTION	PART NUMBER
A4.	Spout tip	RK-3171-XX*
B4.	Aerator	RK-TT
C4.	Down spout tube	RK-4054-XX*
D4.	Decorative collar	RK-3175-XX*
E4.	Check valve	VEN-007-0003-4208
F4.	#14 O-ring	VEN-001-0014-00PC

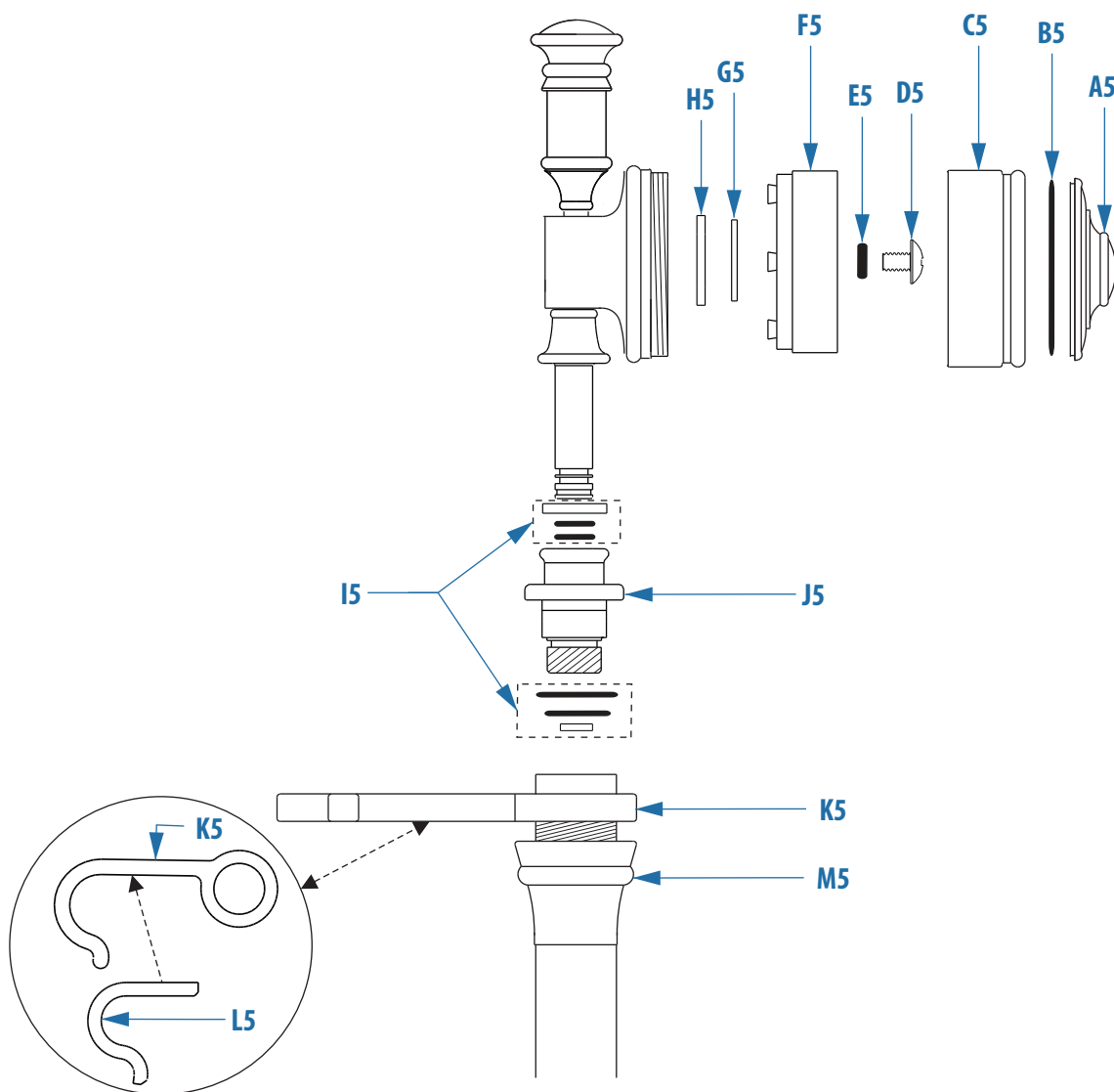
	DESCRIPTION	PART NUMBER
G4.	Joint Cap	RK-4053-XX*
H4.	Mid spout swivel kit	RK-SRMID
I4.	Spout replacement	RK-441012SPT-XX* / RK-441018SPT-XX* (included all parts listed on this page)

Replace XX with finish code

FIELD GUIDE - GANTRY PULLDOWN FAUCET

Traditional Model # 4410-12, 4410-18

41180 Raintree Court • Murrieta, CA 92562
1-888-304-0660 • www.waterstoneco.com

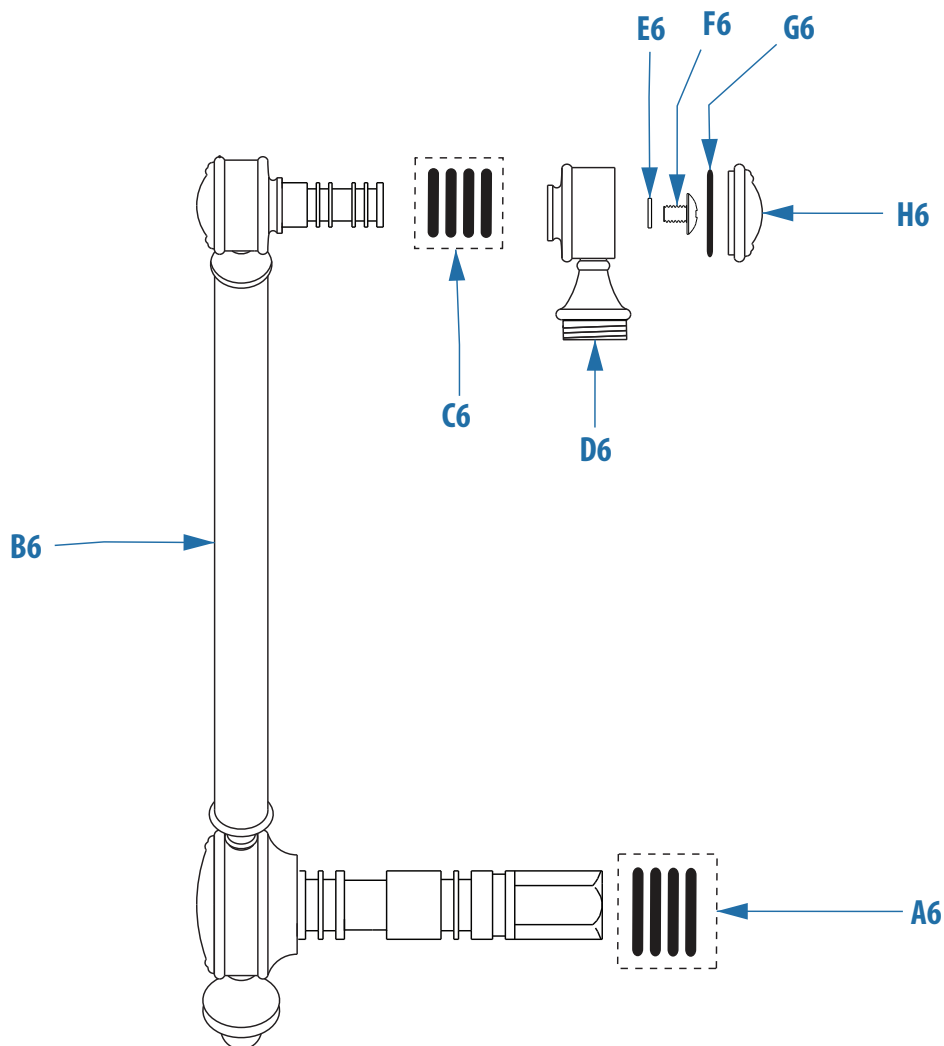


FIELD SERVICEABLE PART LIST

	DESCRIPTION	PART NUMBER
A5	Spring cover cap	RK-4129-XX*
B5	#33 O-ring	VEN-001-0033-0000
C5	Spring cover	RK-4128-XX*
D5	12-24x1/2 phillips screw	VEN-002-0020-00SS
E5	#9 O-Ring	VEN-001-0009-00PC
F5	Spring assembly	VEN-008-0003-0000
G5	Retaining ring	VEN-015-0002-00SS

	DESCRIPTION	PART NUMBER
H5	Delrin washer	VEN-003-0004-000D
I5	Swivel seal repair kit	RK-TGSWL
J5	Pilot sleeve	RK-4113-XX*
K5	Hose hook	RK-4737-XX*
L5	Hook cushion	VEN-013-0001-0000
M5	Traditional swivel cap	RK-4106-XX*

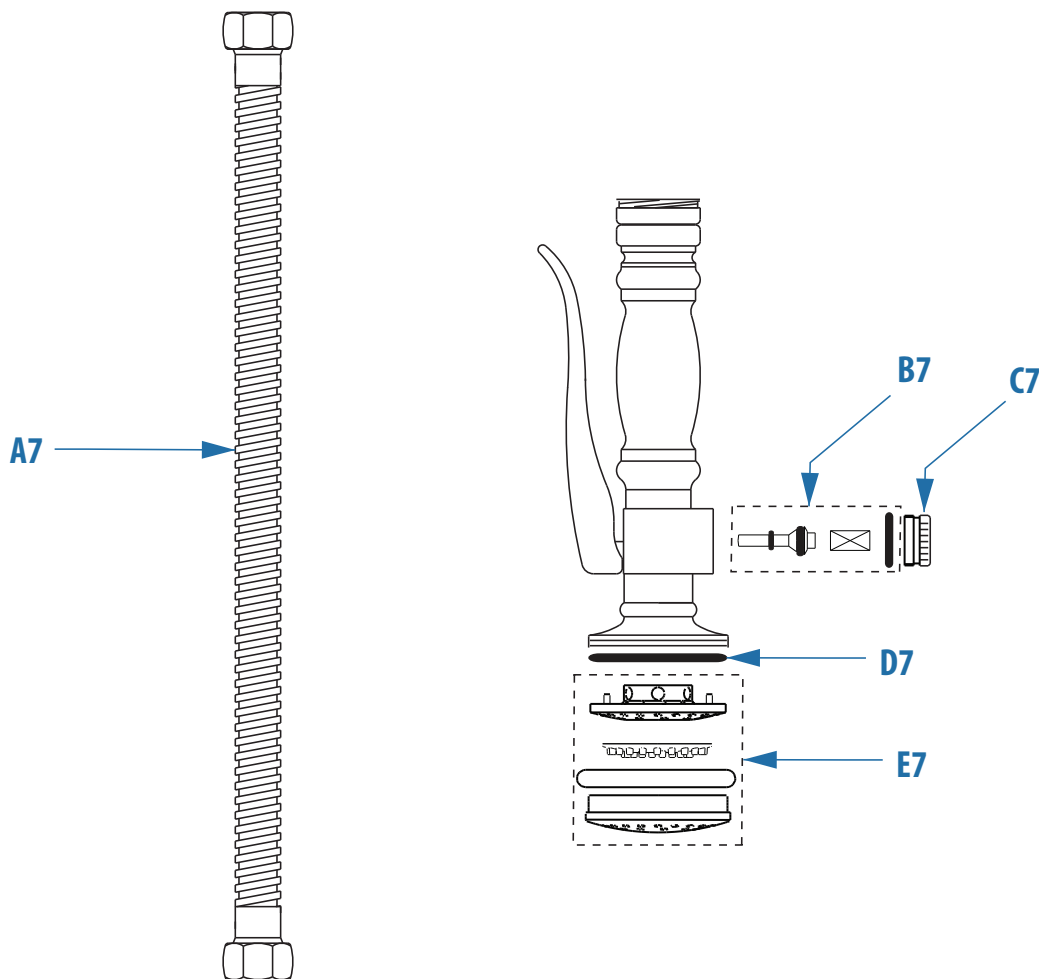
Replace XX with finish code



FIELD SERVICEABLE PART LIST

	DESCRIPTION	PART NUMBER
A6.	Seal kit	RK-GFSRHUB (includes D5, E5, G5, H5 from page 5)
B6.	Swing arm assembly	RK-4400SAA-XX*
C6.	#10 O-ring	VEN-001-0010-00PC
D6.	Upper hose swivel	RK-TGUHS-XX* (includes E6 & F6)
E6.	Washer	VEN-003-0003-000F
F6.	1/4-28 x 58 Phillips Screw	VEN-002-0002-00SS
G6.	#18 O-ring	VEN-001-0018-0000
H6.	Joint cap	RK-4124-XX*

Replace XX with finish code



FIELD SERVICEABLE PART LIST

	DESCRIPTION	PART NUMBER
A7.	Gantry hose assembly	RK-GHA-XX*
B7.	Spray valve	RK-GSV
C7.	Gantry spray valve cap	RK-4141-XX*
D7.	O-ring #23	VEN-001-0023-00PC
E7.	Traditional Gantry spray face	RK-TGSF-XX*

Replace XX with finish code