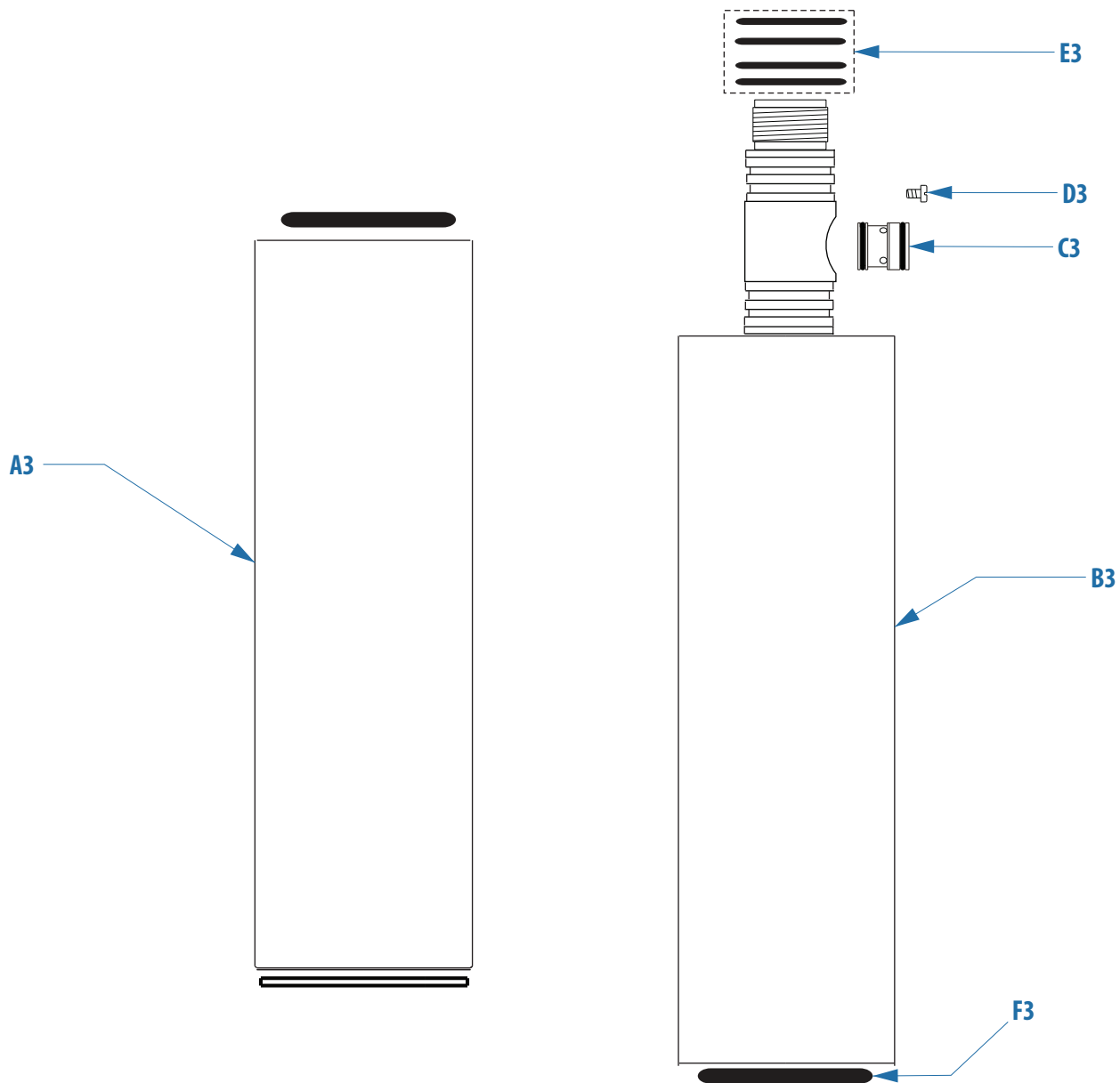


FIELD SERVICEABLE PART LIST

	DESCRIPTION	PART NUMBER
A2.	Install hardware	HK-USM1250
B2.	Handle base cap	MFG-4865-XX* MFG-4884-SS
C2.	Hot & cold indicator ring	MFG-4861-R&B
D2.	Contemporary handle	RK-CKFLH-XX*
E2.	Retaining collar	MFG-4861-XX* MFG-4882-SS
F2.	Friction collar	MFG-4911-RBR

	DESCRIPTION	PART NUMBER
G2.	Ball joint	MFG-4035-RPL MFG-4034-RBR
H2.	Cartridge retainer nut	MFG-4963-RBR
I2.	Cartridge	RK-PTC35
J2.	Valve retainer	RK-CVU (includes H2, G2, & F2)
K2.	O-ring #129	VEN-001-0129-00PC

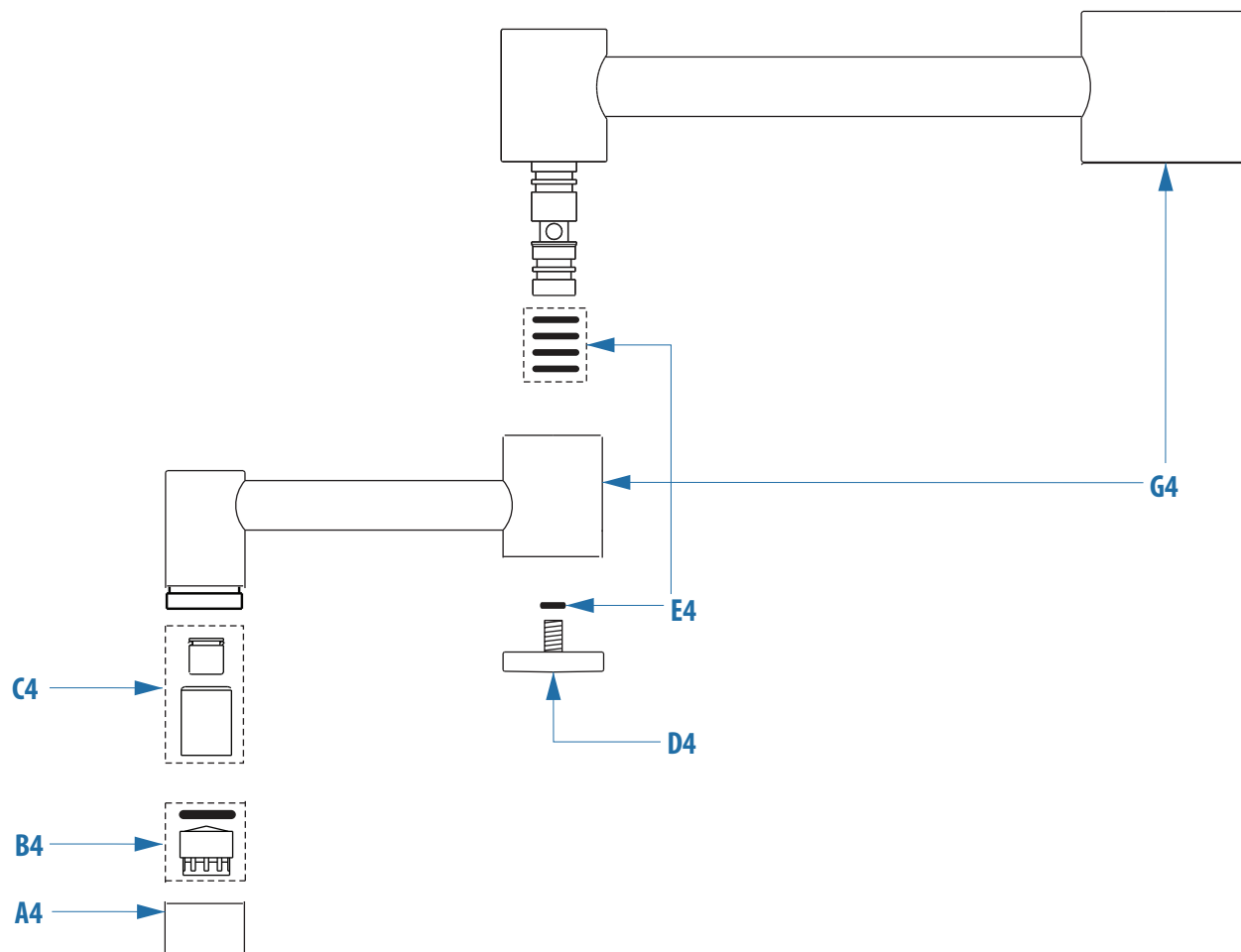
Replace XX with finish code



FIELD SERVICEABLE PART LIST

	DESCRIPTION	PART NUMBER
A3.	Upper riser	RK-3700URSR-XX*
B3.	Lower riser	RK-3700LRSR-XX*
C3.	Diverter	RK-GFD
D3.	Set screw (4x40-3/16)	VEN-002-0016-00SS
E3.	Gantry diverter rings	RK-CGDR
F3.	O-ring #26	VEN-001-0026-00PC
G3.	O-ring #26	VEN-001-0026-00PC

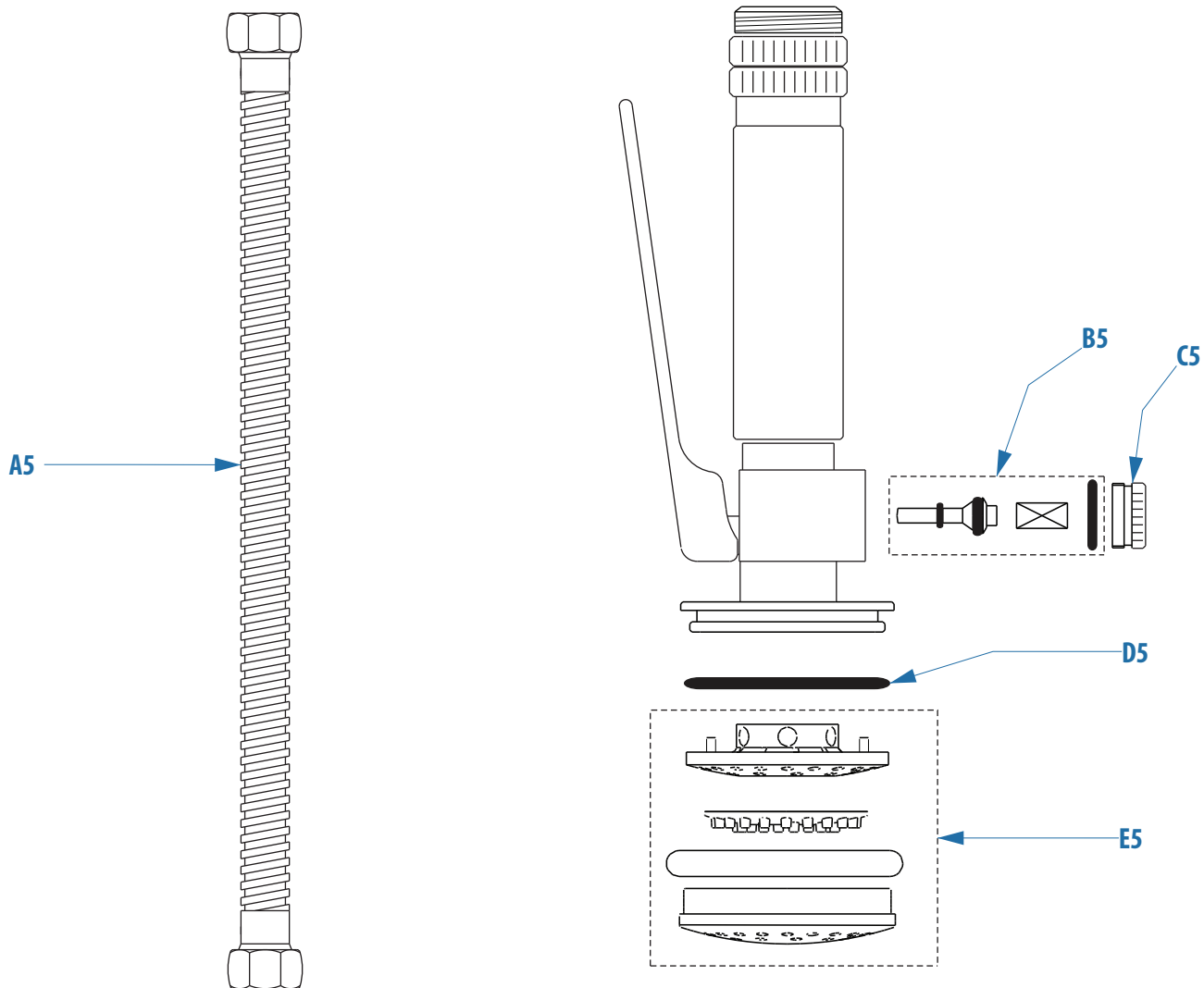
Replace XX with finish code



FIELD SERVICEABLE PART LIST

	DESCRIPTION	PART NUMBER
A4.	Spout tip	MFG-4765-XX* MFG-4816-SS
B4.	Aerator assembly	RK-JR
C4.	Check valve assembly	RK-CCV
D4.	Joint cap	MFG-4762-XX*
E4.	Swivel repair kit	RK-SRMID
F4.	Spout assembly 12"	RK-360012SPT-XX* (includes A4 - G4)
G4.	Spout assembly 18"	RK-360018SPT-XX* (includes A4 - G4)

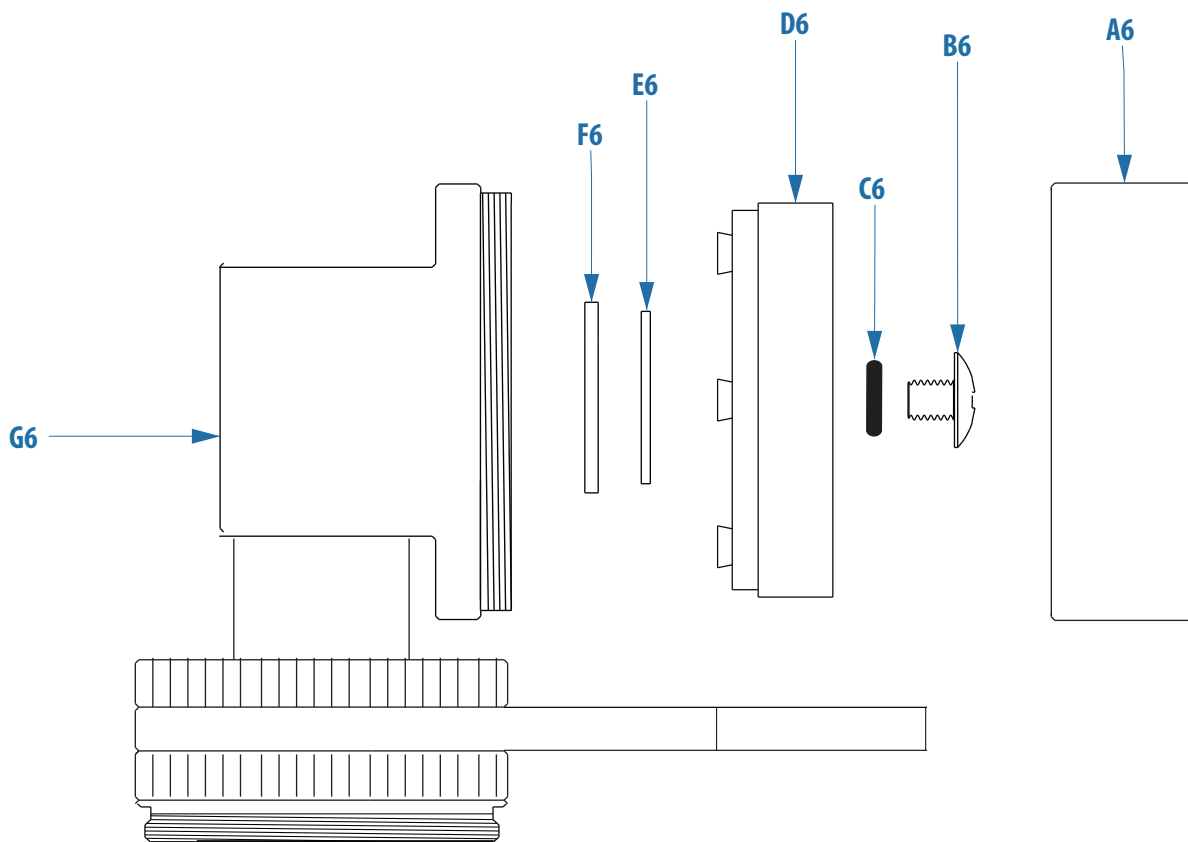
Replace XX with finish code



FIELD SERVICEABLE PART LIST

	DESCRIPTION	PART NUMBER
A5.	Sprayer hose assembly	RK-GHA-XX*
B5.	Spray valve	RK-GSV
C5.	Gantry spray valve cap	MFG-4141-XX* MFG-4960-SS
D5.	O-ring #23	VEN-001-0023-00PC
E5.	Contemporary gantry spray face	RK-CGSF-XX*

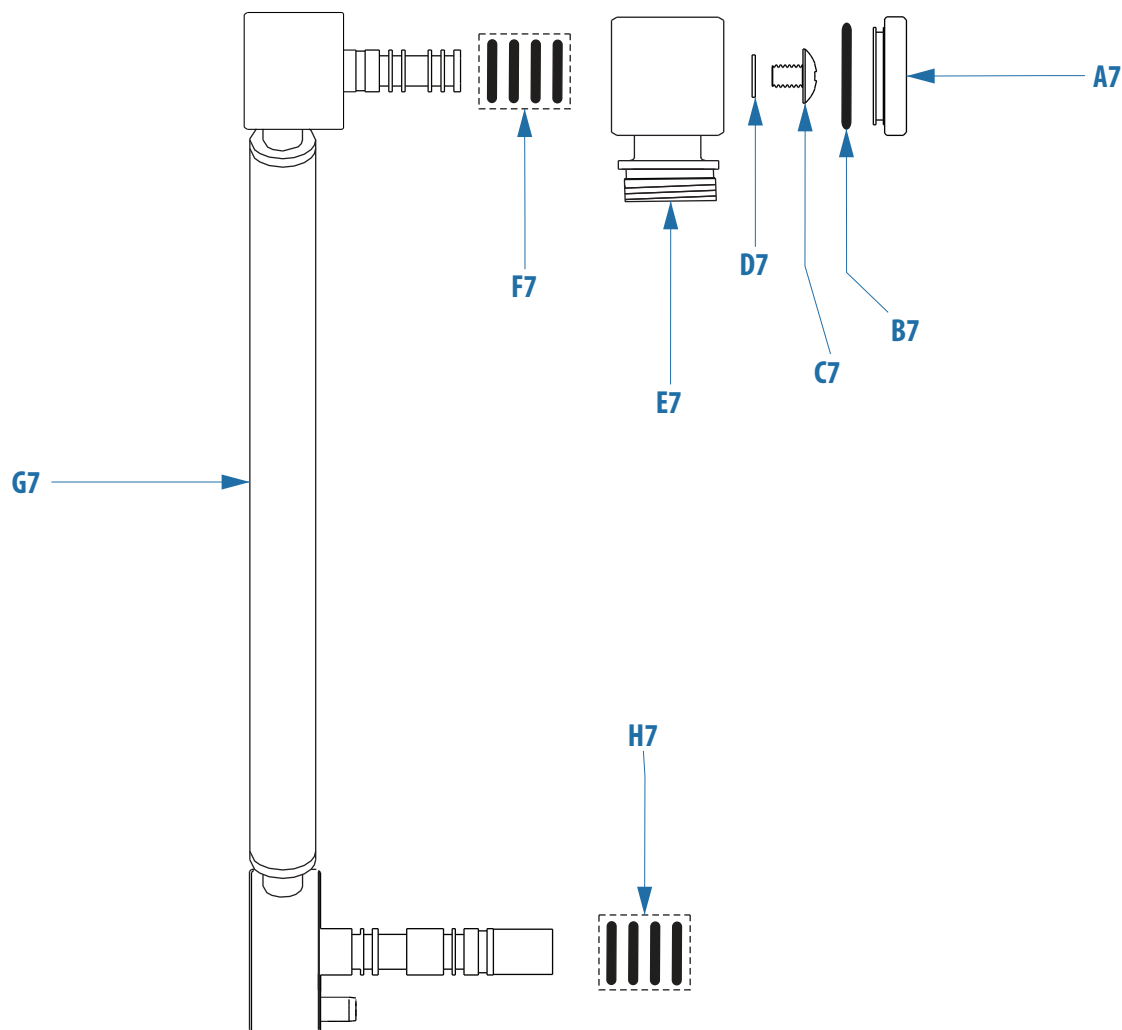
Replace XX with finish code



FIELD SERVICEABLE PART LIST

	DESCRIPTION	PART NUMBER
A6.	Spring cover	MFG-4928-XX* MFG-4947-SS
B6.	12-24x1/2 SS Phillips screw	VEN-002-0020-00SS
C6.	Gantry spring assembly	RK-GSA
D6.	Retaining ring SS	VEN-015-0002-00SS
E6.	Retaining ring	VEN-015-0002-00SS
F6.	Delrin Washer	VEN-003-0004-000D
G6.	Contemporary Gantry hub	RK-3700HUB-XX* (includes A6 through G6 & A7 through H7 on page 7)

Replace XX with finish code



FIELD SERVICEABLE PART LIST

	DESCRIPTION	PART NUMBER
A7.	Swing arm joint cap	MFG-4934-XX* MFG-4953-SS
B7.	O-ring #18	VEN-001-0018-0000
C7.	12-24/1/2 Phillips screw	VEN-002-0022-00SS
D7.	Washer	VEN-003-0003-000F
E7.	Hose joint	RK-CGHJ-XX*
F7.	O-ring #10	VEN-001-0010-00PC
G7.	Contemporary Gantry swing arm assembly	RK-3700SAA-XX* (includes A7 through H7)
H7.	O-ring #11	VEN-001-0011-00PC
		(this page is included in RK-3700HUB-XX* on page 6)

Replace XX with finish code