



PRODUCT CATALOG



MADE IN THE USA
★
SINCE 1998

WELCOME TO WATERSTONE FAUCETS

They said it couldn't be done. That manufacturing in the United States is impossible. "You can't compete!", they say. Well what do "they" know? Waterstone Faucets was up for the challenge. To us, it's important to keep quality manufacturing and jobs in the U.S. where it belongs. Since 1999, we have made it all right here - in our factory in California. We take great pride in being able to say that we are truly Made in America.

Since our country's beginning, we have been a land of innovators and dreamers. We were the misfits who were crazy enough to hop on a boat and sail for the New World. America was built on dreams, hard work and the ingenuity of it's people. Our dreams turned into the telephone, the light bulb, TV, the smart phone and put a man on the moon. Our creativity has led to blue jeans, rock and roll, muscle cars and baseball. At **Waterstone**, we love what we do. Our dreamers take great pride in creating a piece of art in the form of a kitchen faucet and calling it their own. The craftsmanship and attention to detail cannot be duplicated anywhere else. That is why our products are so sought after by designers, architects, high end builders, and homeowners that want the best.



OWNERS AND FOUNDERS STEVE, CHRIS AND BOB

Made in the USA is making a comeback. Increased consumer awareness for products made in the United States has risen dramatically. **Waterstone** founder Chris Kuran, a Naval Academy graduate and former Marine, is determined to keep the dream here at home. Chris, his wife, four children and Zoey the dog were born and raised right here in sunny Southern California. Why would we go anywhere else? We want to put people to work. American manufacturing jobs are important and have a positive impact on the U.S. economy. We admit it isn't easy. It's tough, but we found a way to create record sales every year. This led to a building expansion and more importantly - more workers! It can be done and we shouldn't let anyone tell us otherwise. That dream is still alive and **Waterstone** is determined to help Americans get there.

So, when they say it can't be done, they might be giving up on the American Dream. They say overseas manufacturing is good enough. Well, good enough doesn't cut it with us. You just cannot create a quality product 5000 miles away. Everyday, our team arrives to work from the local neighborhoods and communities. They grab some coffee, roll up the sleeves and get their hands dirty. No lattes here. We love what we do and it shows in our faucets. Our faucets are built to last forever. We guarantee it!

Thank you for your support.
The Waterstone Team

★ ★ MADE IN AMERICA

SINCE ★ ★
1999 ★ ★



AVAILABLE IN ALL
CONTEMPORARY
STYLES

**SOLID
STAINLESS
STEEL**



THE ONLY MANUFACTURER THAT
“SUITES” The
KITCHEN



*WATERSTONE ACCESSORIES
MATCH IN BOTH STYLE AND
FINISH*

**USA BASED
CUSTOMER SERVICE**



MONDAY - FRIDAY 7:30AM TO 5PM PST

ALL FAUCETS ARE MANUFACTURED TO BE FULLY COMPLIANT WITH THE

**LOW LEAD
STATUE** *CALGreen*

AND COMPLY WITH CAL GREEN STANDARDS

MANUFACTURED WITH



NOBODY *But* **WATERSTONE**

THE HISTORY OF WATERSTONE

Waterstone Faucets was founded in 1999 by Chris Kuran. At its' inception, the company primarily provided top quality parts and finished components to large manufacturers that made and sold drinking water filtration systems.

As the news of Waterstone's quality parts and timely deliveries spread throughout the industry, customers began requesting that Waterstone provide small institutional drinking water faucets in custom finishes.

Recognizing these requests as a niche opportunity, Waterstone decided to change course and begin the production of high quality Filtration Faucets in numerous finishes to match the higher end kitchen faucets that were being sold for designer kitchens.

Waterstone then designed and developed its own line of decorative Filtration Faucets using only the best materials and finishes available. Utilizing the experience of selling certified products to the Water Quality system manufacturers, Waterstone had already created a highly efficient manufacturing system that could make anything it could design while maintaining the highest certifiable quality.

In 2002 Waterstone launched its first line of decorative Filtration Faucets and chose to market and sell these products through trained and qualified Kitchen and Bath showrooms throughout North America. Waterstone successfully changed direction from a manufacturer of Water Quality components to a niche faucet company.

The program was a huge success, and the dealers began requesting other niche products. By this time, Waterstone Faucets was selling its filtration faucet program in all 50 states and Canada. By designing, engineering, manufacturing, finishing, assembling, testing and packing all products at our manufacturing facility in California, Waterstone had grown in size and had added production capacity in preparation for its next big change. That change happened in 2005, again with the continued encouragement of its customers.

Waterstone made the decision to add Kitchen Faucets and related items to its product offerings. In typical fashion, Waterstone started from the ground up and designed, developed and engineered a full line of Kitchen Faucet products to match its Filtration Faucets. The guiding focus and desire was to manufacture products that would match the uniqueness of the original ground breaking Filtration Faucet designs.



1999 - OUR FIRST FAUCET



***TODAY - TOWSON HOT AND COLD
FILTRATION FAUCET***

THE HISTORY OF WATERSTONE

WATERSTONE FAUCET SUITES

Over the course of time Waterstone has crafted six complete one of a kind Kitchen “Suites” of products. Each “Suite” has its own look, feel and style that lend itself to a specific decorative kitchen design. Waterstone’s concept is to create a matching ensemble of products that cover all the faucetry needs of one’s own kitchen. From the patented Gantry® Faucets to the 14 other matching items in each style, our faucet “Suites” provide everything for the kitchen. Available in **29 finishes plus solid stainless steel**, Waterstone provides its customers and their customers the ability to purchase matching products from a single source.

In 2010 Waterstone developed and introduced the industry’s first Positive Lock Pulldown Kitchen Faucet (PLP)®. It is available in extended reach, standard reach and prep sizes. Each can be ordered as the faucet only or as a **2, 3 or 4 piece Suite**. The PLP® is available in all finishes plus solid stainless steel.

As the kitchen has evolved into a central gathering area in the home for family and friends the number of choices of faucetry has expanded to keep pace with new and spacious kitchen layouts and designs.



SUITE STORY

Today there are more individual faucetry items available to perform specific functions. The Gantry, Bridge, Pulldown, Kitchen, Prep, Bar, Filtration and Potfiller Faucets are used individually and in conjunction with each other. The addition of accessory items such as Side Sprays, Soap/Lotion Dispensers, Decorative Air Switches, Air Gaps, Escutcheon Plates, Decorative Hole Covers and matching Decorative Cabinet Hardware have provided the homeowner with a complete array of products for this new "living area" of the home.

When building a new home or remodeling, the homeowner is confronted with many decisions. The kitchen offers the opportunity for personal expression and taste. With so many different faucetry items available it is important to coordinate all of the choices in design style and finish. Matching or "**Suiting**" all of these elements is the obvious answer. However, **NOBODY** but Waterstone Faucets has embraced and resolved this issue! Waterstone Faucets is the only American designed, engineered and manufactured product offering that "**Suites**" your kitchen. Every type of faucet and all accessory items are coordinated to match or "**Suite**" with each other.

The three Traditional design styles are offered in solid brass construction. The three Contemporary design styles are offered in solid brass and solid stainless steel construction. All offerings are available in **29** finishes plus **solid stainless steel**. That's true "**Suiting**" of the kitchen. We invite you to join the growing family of customers who have chosen to "**Suite**" their kitchen faucetry with Waterstone products. We know you'll be glad you did as you have your next gathering in the #1 room in the home... your kitchen.

Waterstone Faucets future is bright. We hope you will join us in our pursuit of excellence in design, production and service by putting a Waterstone Faucet in your home!

ANNAPOLIS



TAKE A FACTORY TOUR

FROM BRASS TO SINK

We do it all, right here in California. Our faucets come through the back door as solid brass or stainless steel and leave as exquisite faucets and accessories that highlight your kitchen sink area. Follow the manufacturing process through our factory and get a glimpse of how we create **American Made** kitchen faucets and accessories by blending art and technology.



WATERSTONE FACTORY - MURRIETA, CA





PRODUCTS



THE WHEEL PULLDOWN FAUCET



**YOU CAN RE-INVENT
THE WHEEL**

5100

MEETS THE FOLLOWING

- ASME A112.18.1
- CSA B125.1
- NSF 61, 372
- AB1953 Low Lead
- CAL Green

MAKE IT A SUITE!

Add accessories that match your faucet in both style and finish.



4010

4020/4030

4055

4060

FEATURES

- Designed, engineered and made in the USA.
- Solid brass construction.
- Available in 30 elegant finishes.
- “Easy Pull” continuous force spring controls pull-down feel.
- Pulley braking system prevents handle snap back.
- Spray head extends 20” from spout.
- Ergonomic lever handle for spray function.
- 1.75 gpm maximum flow rate with stream selected.
- Braided connection hoses.
- Compatible with Reverse Osmosis filtration systems.
- 360 degree swivel spout.
- Lifetime functional warranty.
- Single lever control hot/cold ceramic disk valve cartridge.
- Above the countertop access for servicing.
- Handle can be adjusted up to 22.5 degrees (right or left) for clearance from backsplashes.
- 3 handle buttons included. Hot/cold, cold/hot and matching finish.



SPRING LOADED
SPRAY PULLDOWN

PATENT PENDING
BRAKING SYSTEM

TRADITIONAL PLP PULLDOWN FAUCETS AND MINI-SUITES



5500



5200



5600



- PLP** - Traditional Extended Reach Pulldown (5500)
- PLP** - Traditional Extended Reach Pulldown (5600)
- PLP** - Traditional Prep Size Pulldown (5200)

PLP PULLDOWN MINI-SUITES

All PLP Faucets can be "Suited." Add matching accessories. Available in **two**, **three** and **four** piece Suites.

TRADITIONAL PLP PULLDOWN FAUCETS

Model # 5200, 5500, 5600

**NOW AVAILABLE!
PREP SIZE
PULLDOWNS**



5200



5500



5600-4

Single Package, 2, 3 and 4 Piece
Mini-Suites Available

Unique '**PLP**' positive lock holds spray head in place.

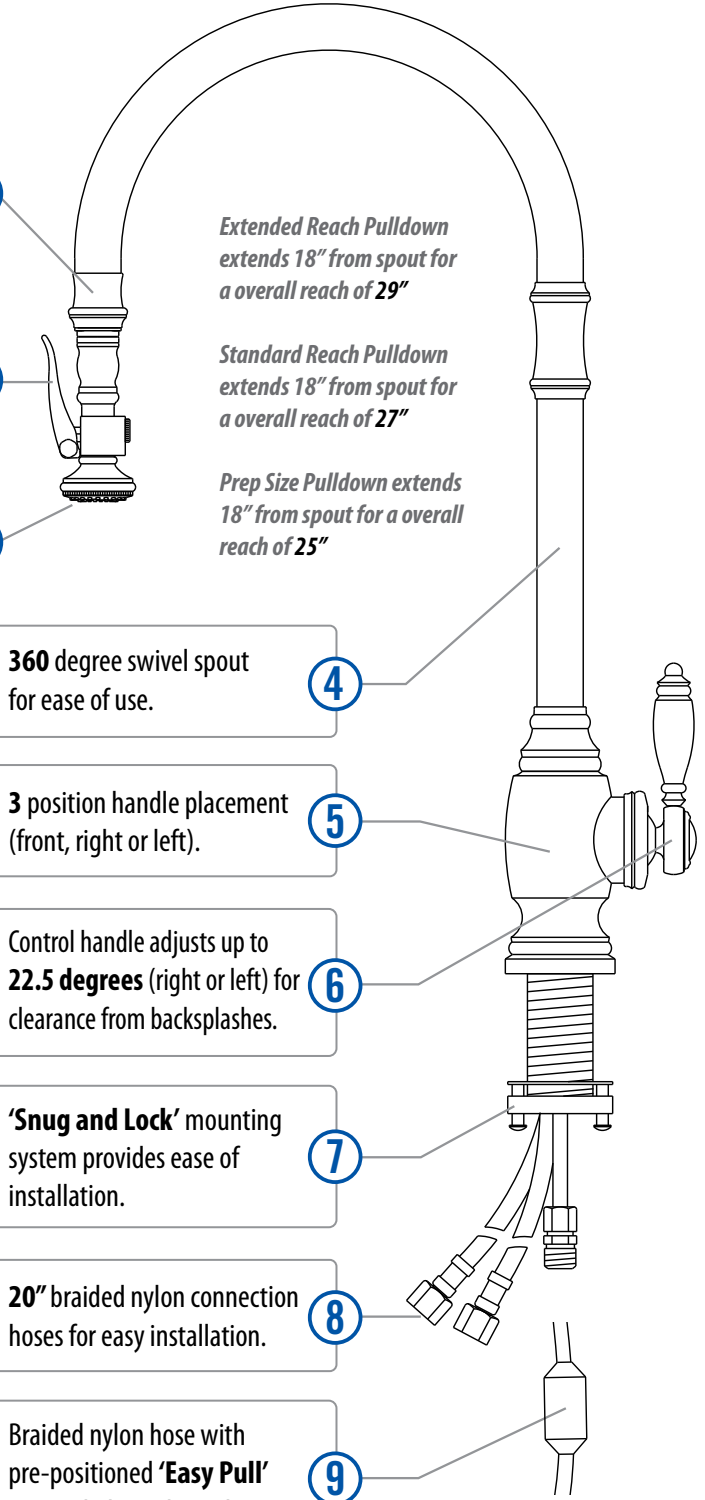
1

Squeeze lever handle to switch from aerated stream to spray **during** faucet operation.

2

RUB CLEAN spray face for easy cleaning.

3



Extended Reach Pulldown extends 18" from spout for a overall reach of 29"

Standard Reach Pulldown extends 18" from spout for a overall reach of 27"

Prep Size Pulldown extends 18" from spout for a overall reach of 25"

360 degree swivel spout for ease of use.

4

3 position handle placement (front, right or left).

5

Control handle adjusts up to **22.5 degrees** (right or left) for clearance from backsplashes.

6

'**Snug and Lock**' mounting system provides ease of installation.

7

20" braided nylon connection hoses for easy installation.

8

Braided nylon hose with pre-positioned '**Easy Pull**' counterbalanced weight.

9

CONTEMPORARY PLP PULLDOWN FAUCETS AND MINI-SUITES



5300



5900



5400



- PLP** - Contemporary Extended Reach Pulldown (5300)
- PLP** - Contemporary Extended Reach Pulldown (5400)
- PLP** - Contemporary Prep Size Pulldown (5900)

PLP PULLDOWN MINI-SUITES

All PLP Faucets can be "Suited." Add matching accessories. Available in **two**, **three** and **four** piece Suites.

TRANSITIONAL PLP PULLDOWN FAUCETS AND MINI-SUITES



5700



5930



5800



PLP - Transitional Extended Reach Pulldown (5700)

PLP - Transitional Extended Reach Pulldown (5800)

PLP - Transitional Prep Size Pulldown (5930)

PLP PULLDOWN MINI-SUITES

All PLP Faucets can be "Suited." Add matching accessories.
Available in **two**, **three** and **four** piece Suites.

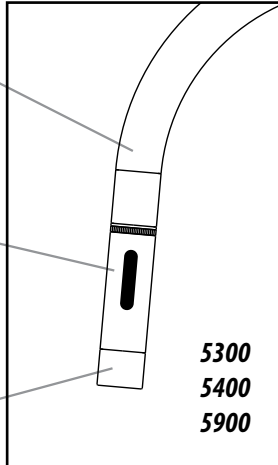
CONTEMPORARY & TRANSITIONAL PLP PULLDOWN FAUCETS

Model # 5300, 5400, 5700, 5800, 5900, 5930

Unique '**PLP**' positive lock holds spray head in place. **1**

Squeeze toggle handle to switch from aerated stream to spray **during** faucet operation. **2**

Aerator is removable for **easy** cleaning. **3**

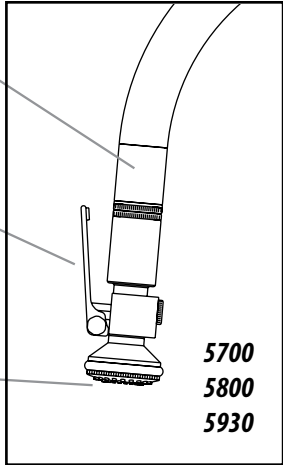


5300
5400
5900

Unique '**PLP**' positive lock holds spray head in place. **1**

Squeeze lever handle to select spray **during** faucet operation. **2**

RUB CLEAN spray face for easy cleaning. **3**



5700
5800
5930

- *Extended Reach Pulldown extends 18" from spout for a overall reach of 29"*
- *Standard Reach Pulldown extends 18" from spout for a overall reach of 27"*
- *Prep Size Pulldown extends 18" from spout for a overall reach of 25"*



Single Package, 2, 3 and 4 Piece Mini-Suites Available

360 degree swivel spout for ease of use. **4**

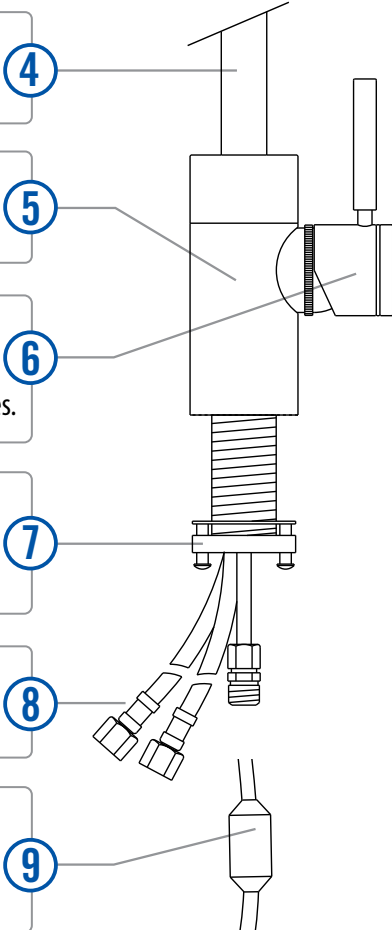
3 position handle placement (front, right or left). **5**

Control handle adjusts up to **22.5 degrees** (right or left) for clearance from backsplashes. **6**

'**Snug and Lock**' mounting system provides ease of installation. **7**

20" braided nylon connection hoses for easy installation. **8**

Braided nylon hose with Pre-positioned '**Easy Pull**' counterbalanced weight. **9**



TRADITIONAL GANTRY FAUCETS AND MINI-SUITES



4400



4410-12



4410-18

GANTRY SUITES

All Gantry Faucets can be "Suited." Add matching accessories. Available in **two, three and four** piece Suites.



TRADITIONAL - Hook spout (4400)

TRADITIONAL - Articulated spout. Available in **12"** and **18"** reach models (4410-12/18)



CONTEMPORARY GANTRY FAUCETS AND MINI-SUITES



3700



3710-12



3710-18

GANTRY SUITES

All Gantry Faucets can be "Suited." Add matching accessories. Available in **two, three and four** piece Suites.



CONTEMPORARY - Straight spout (3700)

CONTEMPORARY - Articulated spout. Available in **12"** and **18"** reach models (3710-12/18)

TRADITIONAL BRIDGE FAUCETS

FEATURES

- Two-holed Bridge Faucet design.
- Hook, Articulated, or C-spout styles.
- Optional side spray available.
- Dual lever or cross handle options.
- Solid brass construction.
- 360 degree swivel spout.
- Available in 30 elegant finishes.
- Lifetime functional warranty.



ANNAPOLIS - 6200
ANNAPOLIS - 6250*



HAMPTON - 6300
HAMPTON - 6350*



***CROSS HANDLES**
AVAILABLE



2 STYLES OF HANDLE
CAPS INCLUDED WITH
EACH FAUCET



TOWSON - 6100-12
TOWSON - 6100-18

TOWSON - 6150-12*
TOWSON - 6150-18*

MAKE IT A SUITE!

Add accessories that match your faucet in both style and finish.



4010

4020/4030

4055

4060

4025

CONTEMPORARY BRIDGE FAUCETS



FULTON - 7825



PARCHE 7800



REMOVABLE HOT COLD INDICATOR RINGS

FEATURES

- Two-hole Bridge Faucet design.
- 2-Bend, Articulated, or C-spout styles.
- Optional side spray available.
- **Solid** brass or stainless steel construction.
- 360 degree swivel spout.
- Available in 30 finishes or stainless steel.
- Lifetime functional warranty.

MAKE IT A SUITE!

Add accessories that match your faucet in both style and finish.



3010



3020/3030



4065



3025



HUNLEY - 7600-12

HUNLEY - 7600-18

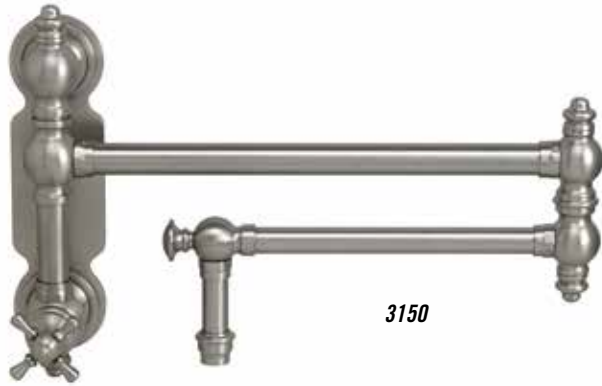
WALL MOUNTED POTFILLERS



3100



3200



3150

TRADITIONAL - 22" Articulated spout available with lever or cross handle (3100/3150)
CONTEMPORARY - 22" Articulated spout (3200)



COUNTER MOUNTED POTFILLERS



3300



3350



3400

TRADITIONAL - 22" Articulated spout available with lever or cross handle (3300/3350)
CONTEMPORARY - 22" Articulated spout (3400)

TRADITIONAL KITCHEN FAUCETS



4200



4300



4100-12
4100-18

KITCHEN SUITES

All Kitchen Faucets can be "Suited." Add matching accessories such as a Side Spray, Soap/Lotion Dispenser, Air Switch or Air Gap.

ANNAPOLIS - Traditional with Hook spout (4200)

HAMPTON - Traditional with C-spout (4300)

TOWSON - Traditional with Articulated spout, available in 12" and 18" reach models (4100-12/18)



CONTEMPORARY KITCHEN FAUCETS



3825



3600-12
3600-18



3800

KITCHEN SUITES

All Kitchen Faucets can be "Suited." Add matching accessories such as a Side Spray, Soap/Lotion Dispenser, Air Switch or Air Gap.

FULTON - Contemporary with 2 Bend U-spout (3825)

HUNLEY - Contemporary with Articulated spout, available in 12" and 18" reach models (3600-12/18)

PARCHE - Contemporary with C-spout (3800)



YORKTOWN TRANSITIONAL KITCHEN FAUCET AND ACCESSORIES

YORKTOWN™*A TRULY REVOLUTIONARY
KITCHEN FAUCET SUITE*

At Waterstone, we never stop innovating. This time, we come at it from a different angle compared to our legendary shapely designs. The Yorktown, named after the famous battle with the British, is truly revolutionary. It's a transitional design whose flat, mirrored surfaces and angular elements are modern, but with just a touch of that traditional feel. The solid and contoured base gives rise to the flat-surfaced sides of the body. The tapered single handle is engineered with a braking system that keeps the handle's push and pull at a constant tension. The Yorktown's spout riser stands tall, like a monument, and leads to the sleek, straight spout. The spout has a 8-3/4" reach and can swivel 360 degrees for full clearance and coverage.



8500



8525



8555



8510



8520/8530

YORKTOWN KITCHEN SUITE

Kitchen Faucet (8500)

Side Spray (8525)

Soap/Lotion Dispenser (8555)

Air Switch (8510)

Single and Dual Port Air Gaps (8520/8530)

TRADITIONAL TWO HANDLE KITCHEN FAUCETS



8030



8010-12
8010-18



8020



TWO HANDLE KITCHEN SUITES

All Two Handle Kitchen Faucets can be "Suited." Add matching accessories such as a Side Spray, Soap/Lotion Dispenser, Air Switch or Air Gap.

ANNAPOLIS - Traditional with Hook spout (8020)

HAMPTON - Traditional with C-spout (8030)

TOWSON - Traditional with Articulated spout, available in 12" and 18" reach models (8010-12/18)

TRADITIONAL PREP FAUCETS



PREP SUITES

All Prep Faucets can be "Suited." Add matching accessories such as a Side Spray, Soap/Lotion Dispenser, Air Switch or Air Gap.

ANNAPOLIS - Traditional with Hook spout (4800)

HAMPTON - Traditional with C-spout (4900)

TOWSON - Traditional with Straight spout (4700)



CONTEMPORARY PREP FAUCETS



PREP SUITES

All Prep Faucets can be "Suited." Add matching accessories such as a Side Spray, Soap/Lotion Dispenser, Air Switch or Air Gap.

FULTON - Contemporary with 2 Bend U-spout (3925)

HUNLEY - Contemporary with Straight spout (3500)

PARCHE - Contemporary with C-spout (3900)



TRADITIONAL BAR FAUCETS



- ANNAPOLIS** - Traditional with Hook spout available with **lever or cross handles** (1300/1350)
HAMPTON - Traditional with C-spout available with **lever or cross handles** (1500/1550)
TOWSON - Traditional with Straight spout available with **lever or cross handles** (1800/1850)



CONTEMPORARY BAR FAUCETS



- PARCHE** - Contemporary with C-spout (1600)
FULTON - Contemporary with 2 Bend U-spout (1625)
HUNLEY - Contemporary with Straight spout (2500)

TRADITIONAL BAR AND FILTRATION FAUCETS

PEMBROKE™

A PERFECT COMPANION

Designed with the same decorative finial elements on the neck and spout tip that match all Waterstone traditional PLP Pulldown Faucets.



FEATURES

- A perfect match to our traditional PLP Pulldown Faucets
- New solid swivel connection
- Decorative C-spout spout w/ 5" reach.
- Spout swivels 360 degrees.
- Lever or cross handles.
- Compatible with reverse osmosis filtration systems.
- 1/4 turn ceramic disk valve cartridges.
- Solid brass construction.
- Lifetime functional warranty.
- Made in the USA.



Available with lever or cross handles.



THE COLLECTION

- 1202C Cold Only Filtration
- 1252C Cold Only Filtration
- 1202H Hot Only Filtration
- 1252H Hot Only Filtration
- 1202HC Hot/Cold Filtration
- 1252HC Hot/Cold Filtration
- 1502 Bar Faucet
- 1552 Bar Faucet

TRADITIONAL FILTRATION FAUCETS

COLD ONLY, HOT ONLY AND HOT/COLD



1100C



1100H



1100HC



1150C



1150H



1150HC



1200C



1200H



1200HC



1250C



1250H



1250HC



1700C



1700H



1700HC



1750C



1750H



1750HC

ANNAPOLIS - Traditional with Hook spout available with **lever or cross handles** (1100/1150)

HAMPTON - Traditional with C-spout available with **lever or cross handles** (1200/1250)

TOWSON - Traditional with Straight spout available with **lever or cross handles** (1700/1750)



CONTEMPORARY FILTRATION FAUCETS

COLD ONLY, HOT ONLY AND HOT/COLD



1400C



1400H



1400HC



1425C



1425H



1425HC



1900C



1900H



1900HC

PARCHE - Contemporary with C-spout (1400)

FULTON - Contemporary with 2 Bend U-spout (1425)

HUNLEY - Contemporary with Straight spout (1900)

SIDE SPRAYS



3025



4025



8525

CONTEMPORARY - With insulated handle (3025)
TRADITIONAL - With insulated handle (4025)
TRANSITIONAL - Yorktown (8525)

AIR SWITCHES



3010



8510



4010



TRADITIONAL INCLUDES 2 DECORATIVE BUTTONS

CONTEMPORARY - No buttons (3010)
TRANSITIONAL - Yorktown (8510)
TRADITIONAL - Includes 2 decorative buttons "Disposer" and "Finish" Match (4010)

SOAP/LOTION DISPENSERS



4055



4060



4065



8555



TRADITIONAL INCLUDES 3 DECORATIVE BUTTONS

TRADITIONAL - Straight spout includes a choice of 3 decorative buttons "Soap," "Lotion," and "Finish" Match (4055)
TRADITIONAL - Hook spout includes a choice of 3 decorative buttons "Soap," "Lotion," and "Finish" Match (4060)
CONTEMPORARY - Straight spout, no buttons (4065)
TRANSITIONAL - Yorktown (8555)

DECORATIVE HOLE COVERS



3080



4070



4080

CONTEMPORARY - (3080)

TRADITIONAL - Logo Button (4070)

TRADITIONAL - (4080)

AIR GAPS



3020



3030



4020



4030



8520



8530

CONTEMPORARY - No buttons. Single Port (3020), Dual Port (3030)

TRADITIONAL - Includes 2 decorative buttons "Logo" and "Finish" Match. Single Port (4020), Dual Port (4030)

TRANSITIONAL - Yorktown Single Port (8520), Dual Port (8530)



**TRADITIONAL INCLUDES
2 DECORATIVE BUTTONS**

ESCUTCHEON PLATES



3783



3784



4783



4784

CONTEMPORARY - Decorative plate (6" plate - 3783)

CONTEMPORARY - Covers additional holes on sinks (10" plate - 3784)

TRADITIONAL - Decorative plate (6" plate - 4783)

TRADITIONAL - Covers additional holes on sinks (10" plate - 4784)

TRADITIONAL CABINET KNOBS, CABINET PULLS AND APPLIANCE PULLS



HTK-001



HTK-003



HTK-006



HTK-002



HTK-004



HTK-007



HTK-005

*HTP-0300
HTP-0350
HTP-0400
HTP-0500
HTP-0600
HTP-0800*



HTP - 1200

*HTP-1200
HTP-2400
HTP-3000*



TRADITIONAL KNOBS - (HTK-001, HTK-002, HTK-003, HTK-004)
TRADITIONAL POST AND T-PULLS - (HTK-005, HTK-006, HTK-007)
TRADITIONAL PULLS - (HTP-0300, HTP-0350, HTP-0400, HTP-0500, HTP-0600, HTP-0800)
TRADITIONAL HEAVY DRAWER PULL - (HTP-1200)
TRADITIONAL APPLIANCE PULLS - (HTP-1800, HTP-2400, HTP-3000)

CONTEMPORARY CABINET KNOBS, CABINET PULLS AND APPLIANCE PULLS



HCK-100



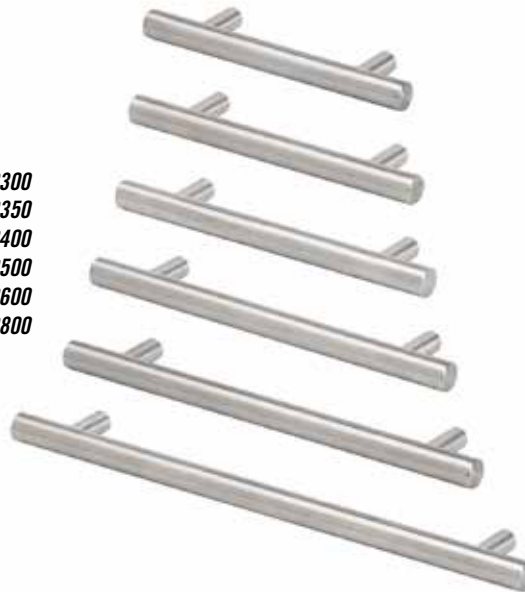
HCK-101



HCK-102



HCK-103



HCP-0300
HCP-0350
HCP-0400
HCP-0500
HCP-0600
HCP-0800



HCP - 1200



HCP-1200
HCP-2400
HCP-3000

- CONTEMPORARY KNOBS** - (HCK-100, HCK-101)
- CONTEMPORARY POST AND T-PULLS** - (HCK-102, HCK-103)
- CONTEMPORARY PULLS** - (HCP-0300, HCP-0350, HCP-0400, HCP-0500, HCP-0600, HCP-0800)
- CONTEMPORARY HEAVY DRAWER PULL** - (HCP-1200)
- CONTEMPORARY APPLIANCE PULLS** - (HCP-1800, HCP-2400, HTP-3000)

UNDER SINK SYSTEMS



THE ULTIMATE UNDER SINK PACKAGE

MODEL # 1000



ULTIMATE UNDER SINK SYSTEM INCLUDES:

- #5000 Hot Tank
 - #4500 PRV (pressure regulator valve)
 - #30101 Multi-Stage Filtration Unit
 - #AS-414 Safety Valve-Leak Detection
- Connection fittings included as shown.

Provides all three Waterstone Under Sink Products in a single package. Get filtered, great tasting water with the security of leak detection. The Waterstone Multi-Stage Filtration System when used with a Waterstone Filtration Faucet, removes sediment, chlorine, bad taste and odor from municipal drinking water. The Hot Tank and PRV (pressure regulator valve) dispenses steaming hot water instantly. Perfect for making hot coffee, tea or cooking. Waterstone's Safety Valve Leak Detection units automatically shuts off the water source when it detects moisture and minimizes water damage. The Hot Tank carries a **2 Year Warranty**.

THE ULTIMATE UNDER SINK PACKAGE

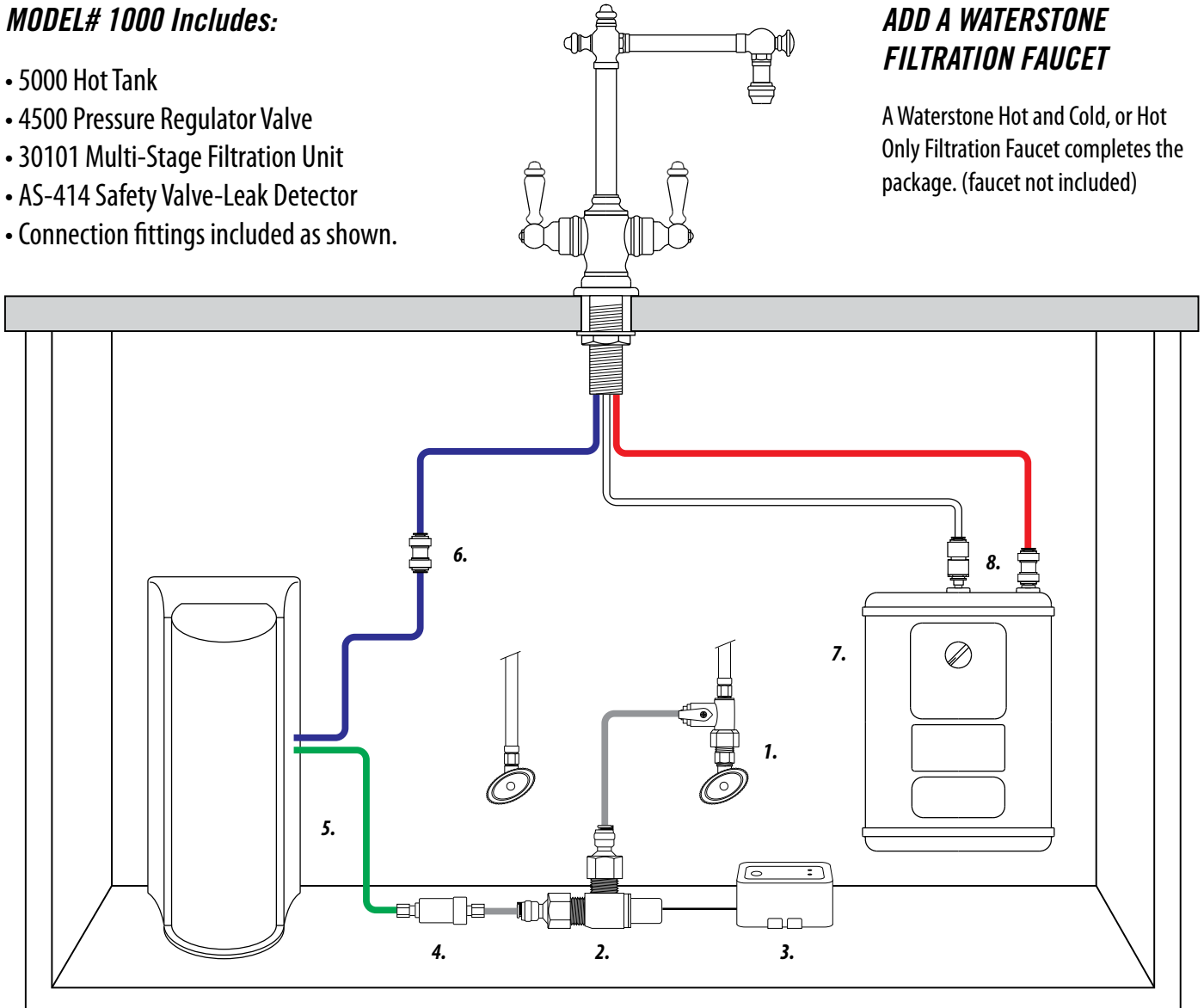
In One Complete Package

MODEL# 1000 Includes:

- 5000 Hot Tank
- 4500 Pressure Regulator Valve
- 30101 Multi-Stage Filtration Unit
- AS-414 Safety Valve-Leak Detector
- Connection fittings included as shown.

ADD A WATERSTONE FILTRATION FAUCET

A Waterstone Hot and Cold, or Hot Only Filtration Faucet completes the package. (faucet not included)



1. COLD WATER SOURCE
2. #AS-414 SAFETY VALVE
3. MOISTURE SENSOR

4. #4500 PRV VALVE
5. #30101 FILTRATION UNIT
6. CONNECTION FITTING

7. #5000 HOT TANK
8. CONNECTION FITTINGS

THE INSTA-HOT UNDER SINK PACKAGE

Instant Hot Water and Leak Protection in One Package

MODEL # 2000

The Insta-Hot package gives you instant hot water and the security of flood prevention. Includes a Waterstone Hot Tank, PRV (pressure regulator valve) and a Safety Valve Leak Detector unit in a single package. Hot Tank is designed with an integrated vent that works with any Waterstone Hot and Cold, or Hot Only Filtration faucets. The 1/2 gallon stainless steel tank dispenses steaming hot water instantly and is perfect for making hot coffee, tea, cooking or sink cleanup. An insulated, solder less, heating tank, the Waterstone Hot Tank has an adjustable temperature control that ranges from 140F to 190F (60C to 88C). Kitchen flooding often happens without warning and can cause substantial flooding and property damage if nobody is around to stop it. Waterstone's Safety Valve Leak Detection Units are ideal for minimizing water damage when these disasters occur. Our Leak Detector automatically shuts off the water source when it detects moisture. Once the valve shuts off, the unit sounds off with an audible alarm, like a smoke detector, to let you know of a problem. The Hot Tank carries a **2 Year Warranty**.



5000

4500



AS-414

INSTA-HOT UNDER SINK SYSTEM INCLUDES:

- #5000 Hot Tank
 - #4500 PRV (pressure regulator valve)
 - #AS-414 Safety Valve-Leak Detection
- Connection fittings included as shown.

THE INSTA-HOT UNDER SINK PACKAGE

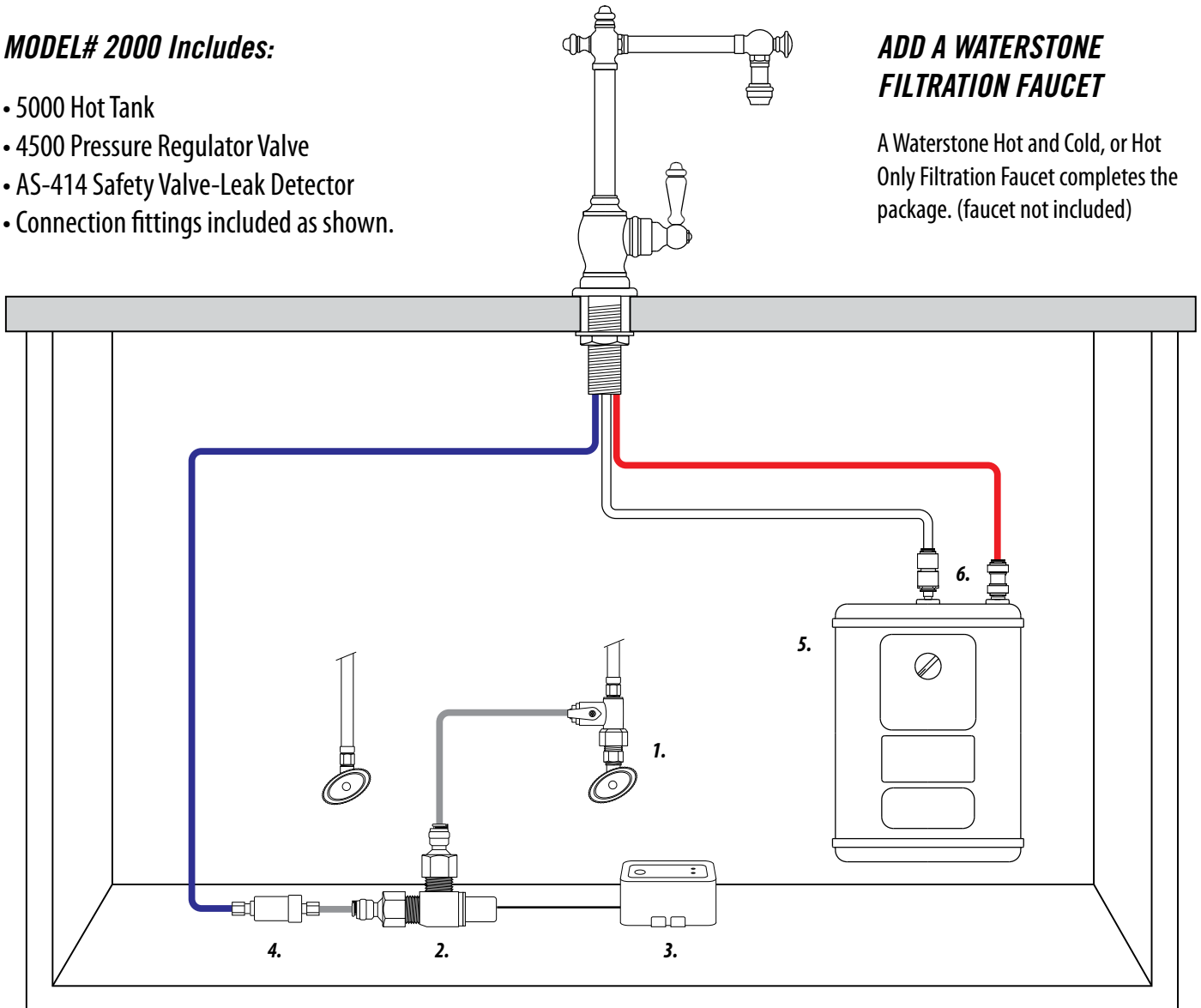
Instant Hot Water and Leak Protection in One Package

MODEL# 2000 Includes:

- 5000 Hot Tank
- 4500 Pressure Regulator Valve
- AS-414 Safety Valve-Leak Detector
- Connection fittings included as shown.

ADD A WATERSTONE FILTRATION FAUCET

A Waterstone Hot and Cold, or Hot Only Filtration Faucet completes the package. (faucet not included)



1. COLD WATER SOURCE
2. #AS-414 SAFETY VALVE

3. MOISTURE SENSOR
4. #4500 PRV VALVE

5. #5000 HOT TANK
6. CONNECTION FITTINGS

THE FILTRATION UNDER SINK PACKAGE

Water Filtration and Leak Protection in One Package

MODEL# 3000

Provides a **1000** gallon capacity point of use Multi-Stage Filtration System and a Safety Valve Leak Detector unit in a single package.



30101



AS-414

THE FILTRATION UNDER SINK PACKAGE

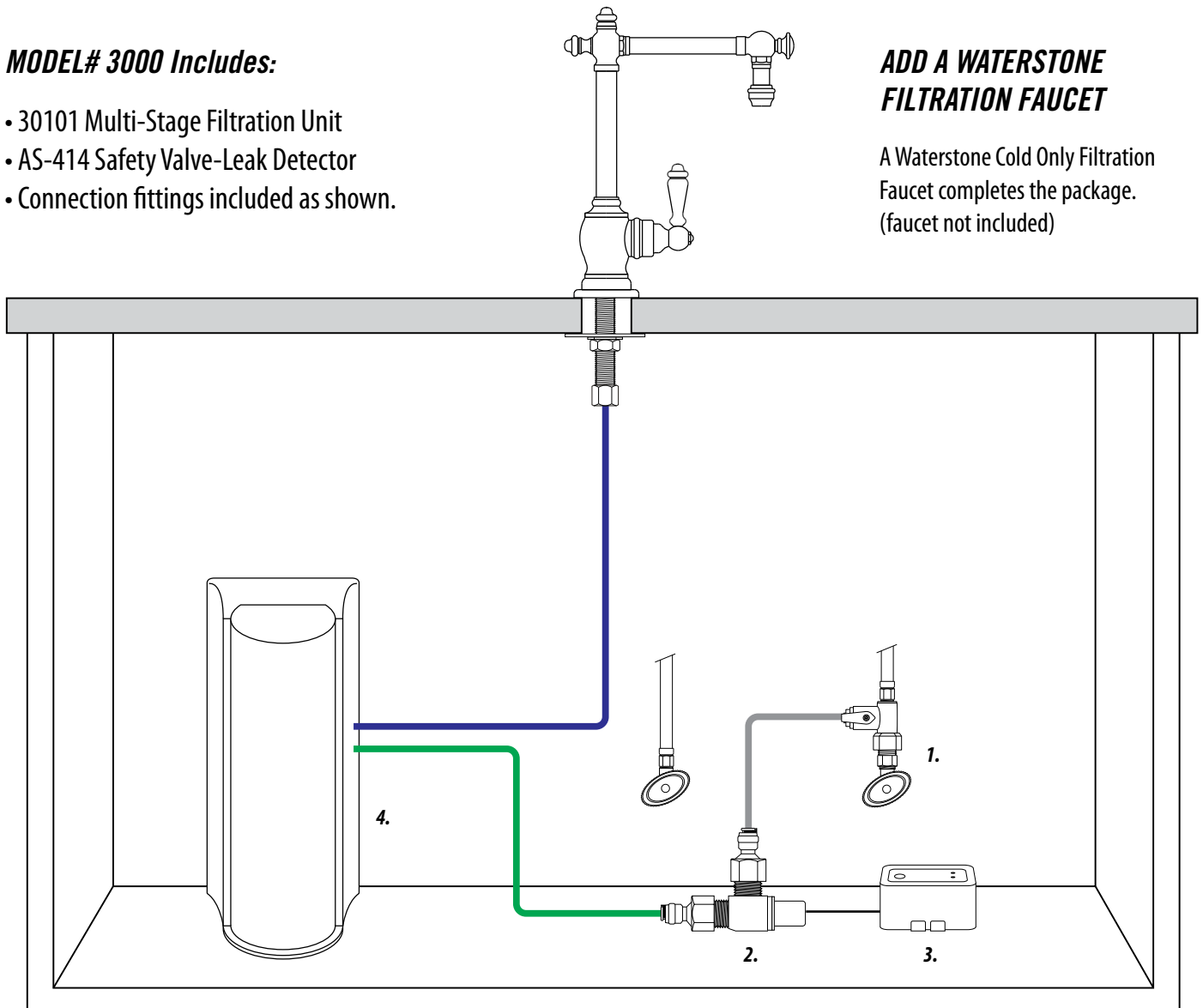
Water Filtration and Leak Protection in One Package

MODEL# 3000 Includes:

- 30101 Multi-Stage Filtration Unit
- AS-414 Safety Valve-Leak Detector
- Connection fittings included as shown.

ADD A WATERSTONE FILTRATION FAUCET

A Waterstone Cold Only Filtration
Faucet completes the package.
(faucet not included)



1. COLD WATER SOURCE
2. #AS-414 SAFETY VALVE

3. MOISTURE SENSOR
4. #30101 FILTRATION SYSTEM

HOT TANK

Instant Hot Water Heating Unit

MODEL# 5000

Why wait for steaming, hot water? Get instant hot water up to 60 cups an hour! Perfect for making hot coffee, tea, cooking or sink cleanup. Designed with a non-pressurized bladder system that works with any Waterstone Hot and Cold, or Hot Only Filtration faucets, the 5/8 gallon stainless steel tank dispenses steaming hot water instantly. Adjustable temperature 140F to 190F (60C to 88C). Includes a pressure regulator valve (PRV). Compatible with RO filtration systems. The Hot Tank carries a **2 Year Warranty**.



5000

4500

HOT TANK

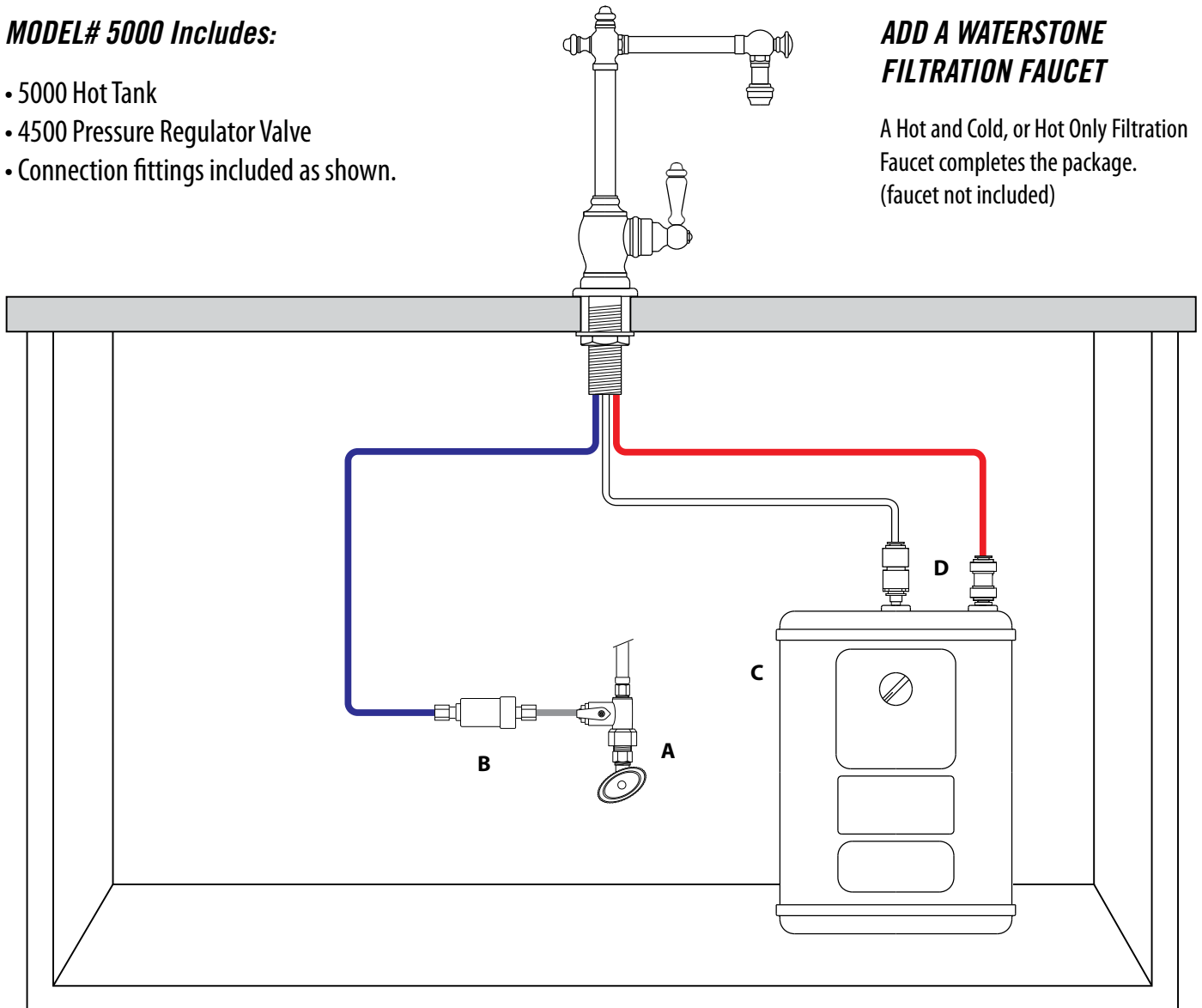
Instant Hot Water Heating Unit

MODEL# 5000 Includes:

- 5000 Hot Tank
- 4500 Pressure Regulator Valve
- Connection fittings included as shown.

ADD A WATERSTONE FILTRATION FAUCET

A Hot and Cold, or Hot Only Filtration Faucet completes the package. (faucet not included)



(A) WATER SOURCE
(B) #4500 PRV VALVE

(C) #5000 HOT TANK
(D) CONNECTION FITTINGS

FINISHES



GROUP ONE



AB - Antique Brass



*ABZ - Antique Bronze
(Living Finish)*



CH - Chrome



*ORB - Black Oil Rubbed Bronze
(Living Finish)*



SC - Satin Chrome



*WB - Weathered Brass
(Living Finish)*



*TB - Tuscan Brass
(Living Finish)*

GROUP TWO



AP - Antique Pewter



AC - Antique Copper



AMB - American Bronze



BLN - Black Nickel



*CB - Caribbean Bronze
(Living Finish)*



CLZ - Classic Bronze



CHB - Chocolate Bronze



DAP - Distressed Antique Pewter



DAC - Distressed Antique Copper



DAMB - Dist. American Bronze



DAB - Dist. Antique Brass



GB - Gloss Black



MB - Matte Black



PB - Polished Brass



PC - Polished Copper



PN - Polished Nickel



SB - Satin Brass



SN - Satin Nickel



VB - Venetian Bronze



*UPB - Unlacquered Polished Brass
(Living Finish)*



*WC - Weathered Copper
(Living Finish)*

STAINLESS STEEL



*SS - Stainless Steel
CONTEMPORARY ONLY*

PRECIOUS METALS



PG - Polished Gold



SG - Satin Gold

MOST POPULAR FINISHES FOR 2017

A BUYING GUIDE FOR THE HOT HUES!

1. POLISHED NICKEL - PN
2. SATIN NICKEL - SN
3. CHROME - CH
4. STAINLESS STEEL - SS
5. ANTIQUE PEWTER - AP
6. SATIN BRASS - SB ↑
7. UNLAQUERED POLISHED BRASS - UPB
8. BLACK NICKEL - BLN
9. AMERICAN BRONZE - AMB
10. MATTE BLACK - MB ↑
11. ANTIQUE BRASS - AB
12. DISTRESSED ANTIQUE PEWTER - DAP
13. OIL RUBBED BRONZE - ORB
14. VENETIAN BRONZE - VB
15. DIST. AMERICAN BRONZE - DAMB
16. CARIBBEAN BRONZE - CB

2 WEEK LEAD TIMES!

ON THESE TOP 5 FINISHES



↑ = TRENDING NOW

BEAUTIFUL NEW FINISH FOR 2018!

INTRODUCING CLASSIC BRONZE

Classic BRONZE

In a response to Dealers, Architects and Kitchen Designers, Waterstone has created a new faucet finish that will add a rich warmth and earth tones to any kitchen. Waterstone is proud to announce the 30th addition to our finish collection – Classic Bronze. We have provided a new hue that will help recreate that early American style and will bring a timeless beauty to any traditional or contemporary kitchen. Classic Bronze is a perfect choice for someone who needs a finish between the shine of a Satin Brass and the darker patina of a Antique Bronze.



*A PERFECT CHOICE FOR
KITCHENS WITH WARMER
HUES AND EARTH TONES.*



316 MARINE GRADE STAINLESS STEEL

WE'VE UPGRADED!

New for 2018, when you order Stainless Steel from Waterstone you get **316 MARINE GRADE STAINLESS STEEL**.



FEATURES

- Maximum resistance to corrosion, pitting and staining.
- Perfect for outdoor kitchens.
- Durable and low maintenance.
- Maintains luster.
- Higher yield strength.
- Lifetime warranty.
- Available on all contemporary faucet and accessories.



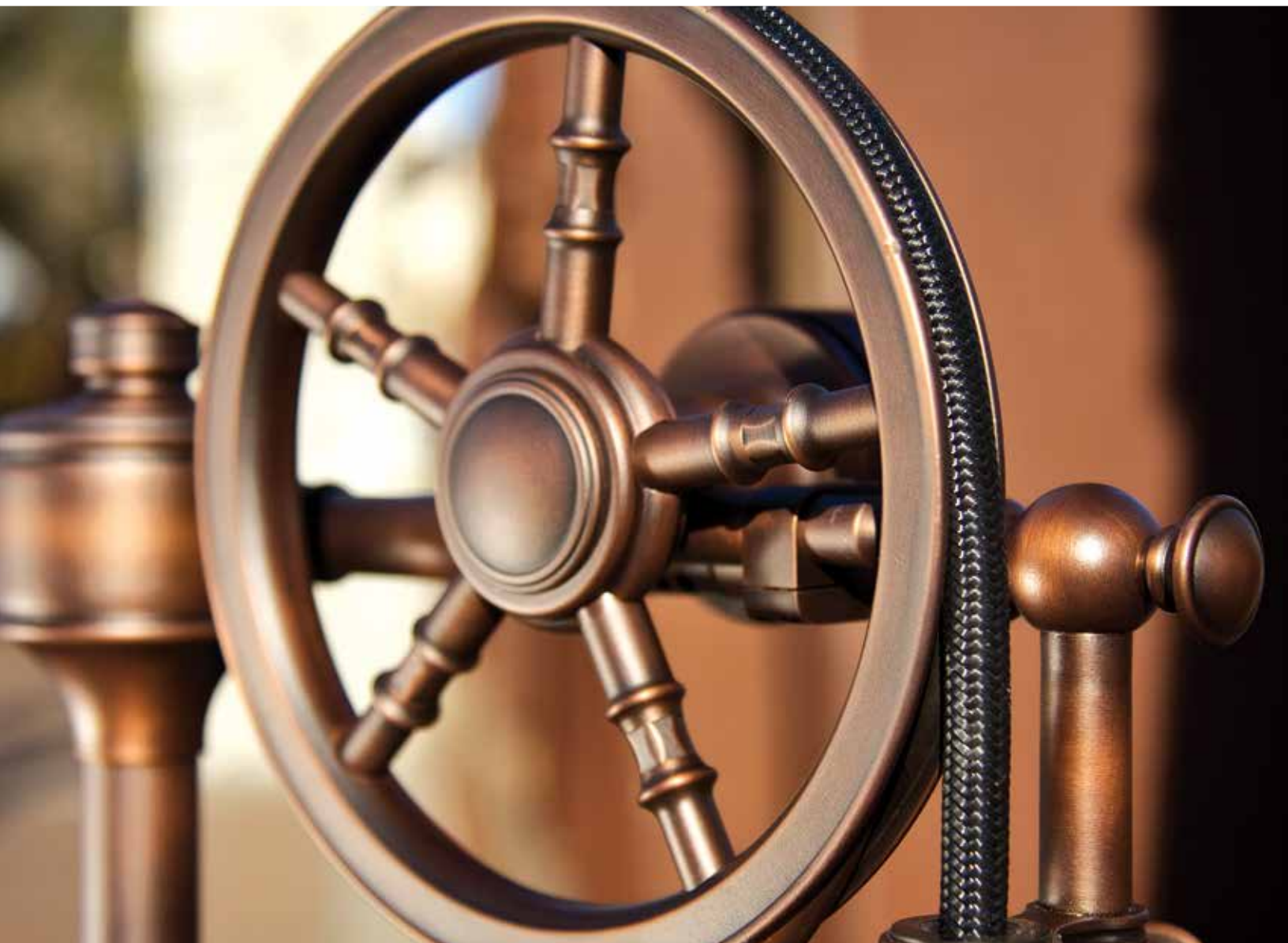
MORE RESISTANCE TO CORROSION FROM SITTING WATER OR SOAP.

The high quality you've come to expect from Waterstone has just gotten better. We are introducing **316 MARINE GRADE** Stainless Steel. This exceptional stainless steel is stronger for a lifetime of durability and has maximum resistance to rust, pitting, corrosion and staining. It is the same top quality stainless steel used on ships and surgical equipment. Waterstone will begin creating contemporary faucets and accessories with this new durable 316 material beginning March 16th, 2018. Did we really need to offer better stainless steel? No, but we did it anyway! We're Waterstone and we are always looking for better ways to create the best kitchen faucets in the world.



THE HUNLEY CONTEMPORARY
KITCHEN SUITE MADE WITH 316

WARRANTIES



LIFETIME FUNCTIONAL WARRANTY

All Waterstone products manufactured by Waterstone carry a LIMITED LIFETIME GUARANTEE against functional defect in material or workmanship in a residential application. Waterstone does not, however, guarantee its products against defects due to improper installation, the failure to perform proper maintenance or uses for which the products were not designed. Products not manufactured by Waterstone but distributed by Waterstone carry only the original manufacturer's warranty. Waterstone has no liability for consequential or indirect damages and its only liability is to repair or replace, at its option, any of its products determined by Waterstone to have a manufacturing defect. Waterstone is not responsible for any labor charges, installation, or other consequential costs. Waterstone shall not pay any repair costs performed on its products by other than its authorized representatives unless Waterstone has given prior written approval to incur costs on its behalf.



WARNING - SINCE 2005, WATERSTONE HAS CONTINUED TO ADVISE ALL OF OUR CUSTOMERS AGAINST THE INSTALLATION OF ANY BRAND OF IN-LINE WATER CHILLER UNITS WITH OUR FAUCETS.

Compressor style chiller units have been proven to arbitrarily exceed the standard household in line pressure ratings causing the faucet inlet connection line to burst and create the potential for water damage claims in the field.

USE OF AN IN-LINE INSTALLATION OF A WATER CHILLER WITH A WATERSTONE FAUCET OF ANY KIND WILL VOID OUR WARRANTY.

Waterstone can not and will not be held liable for damages created by a use for which our products were not designed. Waterstone will only recommend the installation of a water chiller in the vented side (in place of a hot tank) with one of our Hot Only or Hot and Cold Filtration faucet models.

For any questions or concerns about your faucet's warranty, contact Waterstone - 1-888-304-0660.

FINISH WARRANTIES

For a warranty claim for finish, a valid dated bill of sale or receipt from purchase must accompany any warranty request. This warranty is for normal wear and tear of finish surface, the warranty will be void for unintended use damage, lack of cleaning or improper cleaning and maintenance techniques directly resulting in a damaged finish.

LIFETIME WARRANTY

Waterstone carries a lifetime warranty on the following finishes:

Chrome (CH)
Stainless Steel (SS)

7 YEAR WARRANTY

Waterstone carries a 7 year warranty for the original purchaser from the date of sale. Warranty applies to normal wear for the following finishes:

Antique Brass (AB)
Antique Copper (AC)
American Bronze (AMB)
Antique Pewter (AP)
Black Nickel (BLN)
Chocolate Bronze (CHB)
Classic Bronze (CLZ)
Distressed Antique Brass (DAB)
Distressed Antique Copper (DAC)
Distressed American Bronze (DAMB)
Distressed Antique Pewter (DAP)
Gloss Black (GB)
Matte Black (MB)
Polished Brass (PB)
Polished Copper (PC)
Polished Nickel (PN)
Satin Brass (SB)
Satin Chrome (SC)
Satin Nickel (SN)
Venetian Bronze (VB)

NO WARRANTY

Waterstone does not offer a warranty on living or gold finishes. The rate of deterioration will vary either from exposure to chemicals, perspiration, climate conditions, or other factors. Tarnishing or excessive wear of these finishes is therefore, not a defect, but a normal process, which is unavoidable. Under these circumstances, products will not be repaired or replaced under warranty for normal tarnishing or wear finishes.

Antique Bronze (ABZ)
Caribbean Bronze (CB)
Black-Oiled Rubbed Bronze (ORB)
Polished Gold (PG)
Satin Gold (SG)
Tuscan Brass (TB)
Unlacquered Polished Brass (UPB)
Weathered Brass (WB)
Weathered Copper (WC)