



KITCHEN + BATH



2023 RETAIL PRICING AND SPECIFICATIONS

PRICES EFFECTIVE NOVEMBER 1, 2022





CONTENTS

SPLIT FINISHES

How to Order for Bath	10
Split Finish Diagrams	11-13

QUICK REFERENCE PRICING - BATH

Prices Listed by Model Number	29
-------------------------------	----

SHOWER

Retractable Wheel System w/ Hand Shower	14
Wall Mount Shower Head	15
Thermostatic Shower Trim w/ Volume Control	16
Diverter Trim	17
Slide Bar Hand Shower	18

TUB

Freestanding Tub Filler w/ Hand Shower	19
Deck Mount Tub Filler w/ Hand Shower	20
Deck Mount Tub Filler	21
Wall Mount Tub Filler w/ Back Plate	22

LAVATORY

Lavatory Faucet and Push Drain	23
--------------------------------	----

BATH ACCESSORIES

Towel Bars	24
Toilet Paper Holder	25
Single Robe Hook	26
Double Robe Hook	26

ROUGH-IN VALVES

Thermostatic Shower Valve (for 10101)	27
Diverter Control (for 10105)	27
Freestanding Tub Valve (for 10110)	28
Deck Mount Tub Valve (for 10111, 10111A)	28

Design: Joan Behnke & Associates
Architecture: Abramson Architects



CONTENTS

SPLIT FINISHES

How to Order for Kitchen	32
Split Finish Diagrams	33-39

QUICK REFERENCE PRICING - KITCHEN

Prices Listed by Model Number	40-57
-------------------------------	-------

PLP PULLDOWN FAUCETS

Wheel Pulldowns	58-61
Traditional	62-67
Contemporary	68-79
Industrial	80-91
Modern	92-103
Fulton Industrial	104-115
Fulton Modern	116-127

GANTRY FAUCETS

Traditional	130-132
Contemporary	133-135

BRIDGE FAUCETS

Traditional	138-145
Contemporary	146-149

KITCHEN FAUCETS

Traditional	152-155
Two Handle	156-159
Contemporary	160-163

PREP FAUCETS

Traditional	166-168
Contemporary	169-171

BAR FAUCETS

Traditional	173-175
Contemporary	176
Industrial	177

FILTRATION FAUCETS

Traditional	181-188
Contemporary	189-192
Industrial	193-194

POTFILLERS

Wall Mounted Potfillers	195-196
Counter Mounted Potfillers	197

ACCESSORIES

Air Gaps	200-202
Air Switches	203
Soap/Lotion Dispensers	204-207
Side Sprays	208
Hole Covers	209
Escutcheon Plates	210-211

UNDER SINK SYSTEMS

Ultimate System	213
Insta-Hot System	213
Filtration System	213
Hot Tanks	214
Safety Valve Leak Detector	215
Multi-Stage Filtration Unit	215

HARDWARE

Cabinet Knobs	218-222
Cabinet Pulls	223-227
Appliance / Door Pulls	228-231

POLICIES

UMRP	232-233
Terms and Conditions	234
Lifetime Functional Warranty	235
Order Fulfillment Policy	236
Drop Ship Policy	236

FINISHES

Care and Cleaning	237-240
Finish Warranties	241
Finish Price Groups	242-243





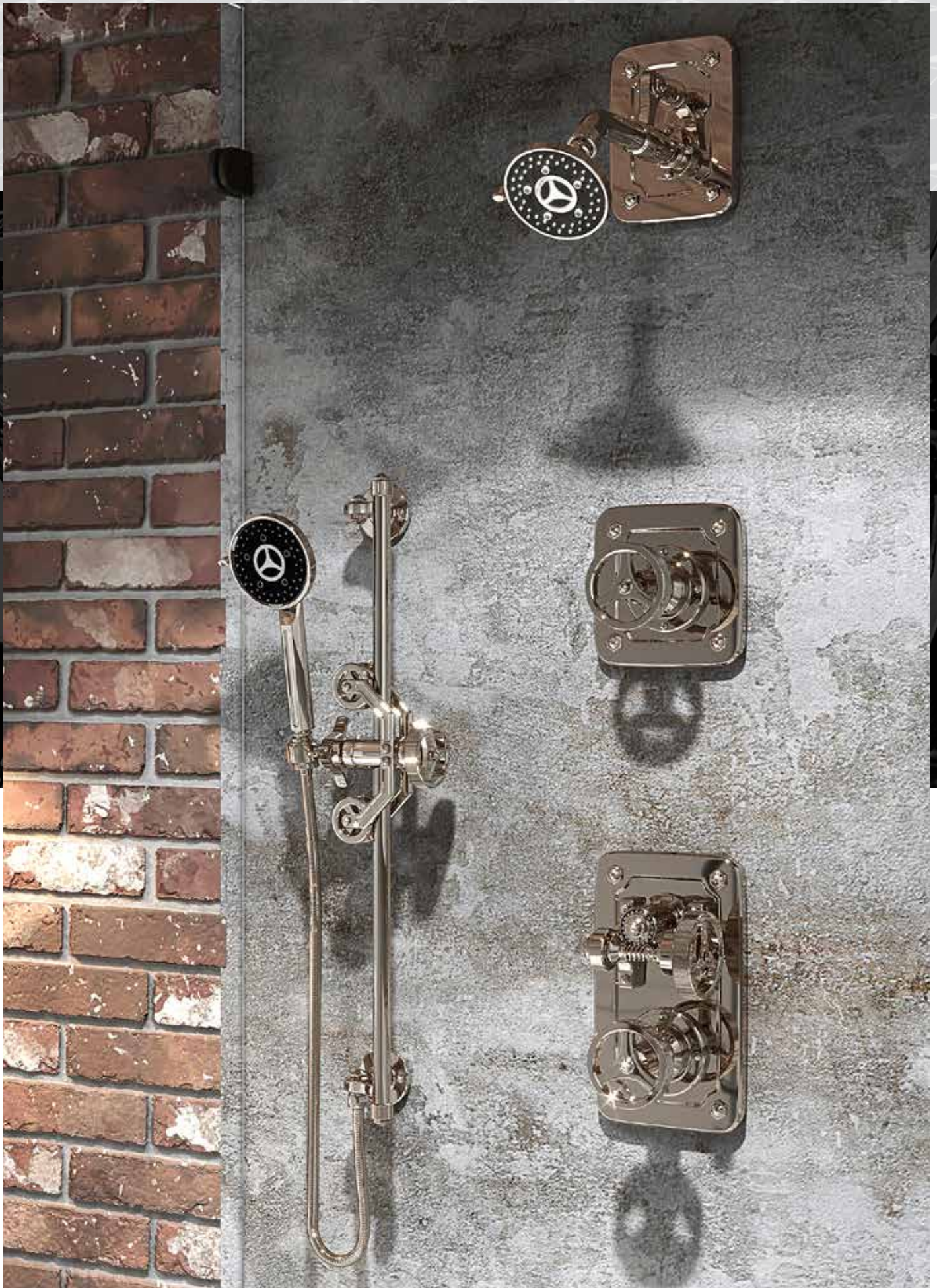


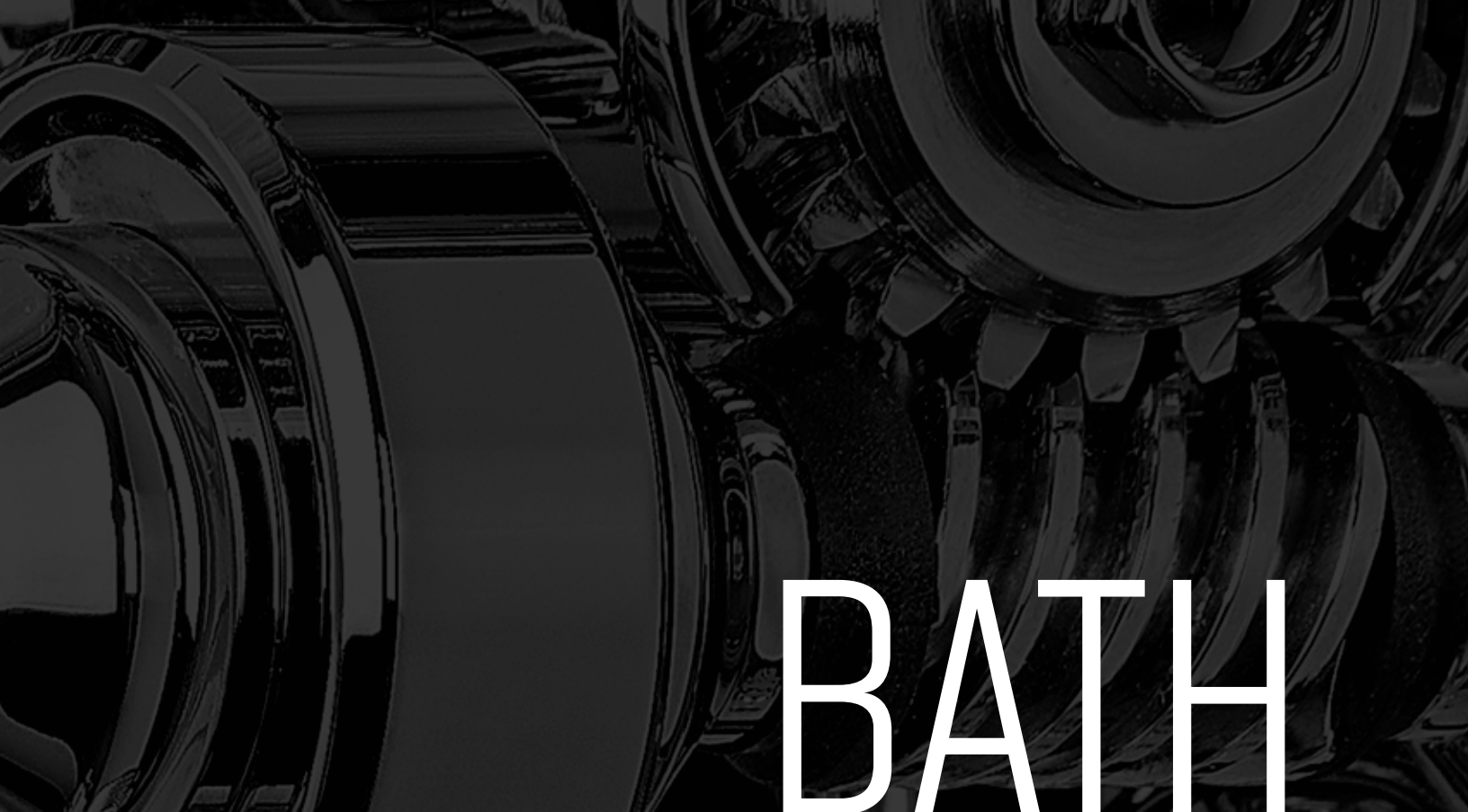
ARGONAUT

BATH SUITE

Waterstone has excelled in the luxury kitchen faucet industry for over 20 years. Our commitment to innovation and developing superior quality, high-end faucet products is unprecedented. We now bring that innovative spirit and begin our voyage into the bathroom. We are proud to introduce the latest blend of art and technology - The Argonaut Bath Suite. A collection of bath products that caters to a niche of homeowners that seek the spirit of adventure.







BATH

SPLIT FINISHES - BATH

ORDERING A SPLIT FINISH MADE EASY

All split finish sales are final and cannot be returned, altered, or canceled once submitted.

Prior to ordering please contact customer service at wscustomerpo@waterstoneco.com and request the sign off sheet for your model. The sign off sheet must be signed and dated and returned with your order.

WATERSTONE DESIGNED STANDARD SPLIT FINISHES

(Standard lead times apply)

Faucet can be split using any combination of the standard finishes listed below. For pricing add 10% to the higher list price of the 2 finishes.

Chrome - CH

Classic Bronze - CLZ

Matte Black - MB

Polished Nickel - PN

Satin Nickel - SN

Unlacquered Polished Brass - UPB



HOW TO DESIGNATE A SPLIT FINISH FAUCET WHEN ORDERING

Take the model number and add both finishes to the suffix starting with the **Primary finish** followed by the **Accent finish**. For Matte Black (MB) and Classic Bronze (CLZ), it would be **10103-MB_CLZ**. If you wanted Classic Bronze (CLZ) and Polished Nickel (PN) it would be **10103-CLZ_PN**. For all split finish designs click "Split Finishes" in the top menu of our home page on www.waterstoneco.com

WATERSTONE DESIGNED CUSTOM SPLIT FINISHES

(Custom lead time is 10 weeks)

Faucet can be split using any combination of the finishes offered by Waterstone. For pricing, add 40% to the higher list price of the 2 finishes.

American Bronze - AMB

Antique Brass - AB

Antique Bronze - ABZ

Antique Copper - AC

Antique Pewter - AP

Black Nickel - BLN

Black Oil Rubbed Bronze - ORB

Caribbean Bronze - CB

Chocolate Bronze - CHB

Distressed American Bronze - DAMB

Distressed Antique Brass - DAB

Distressed Antique Copper - DAC

Distressed Antique Pewter - DAP

Graphite - GR

Matte Antique Brass - MAB

Matte Antique Copper - MAC

Matte Antique Pewter - MAP

Matte White - MW

Polished Brass - PB

Polished Copper - PC

Polished Gold - PG

Satin Brass - SB

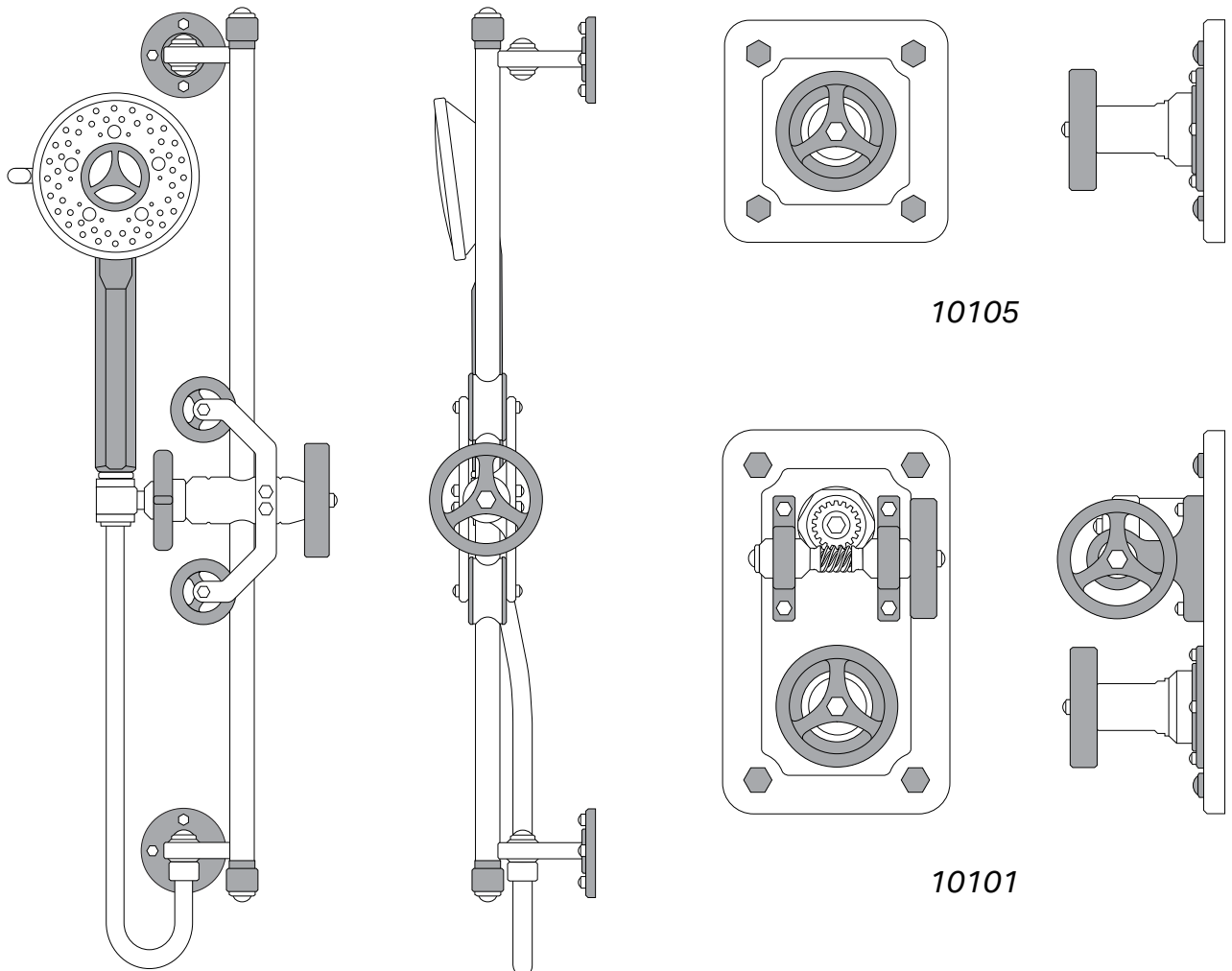
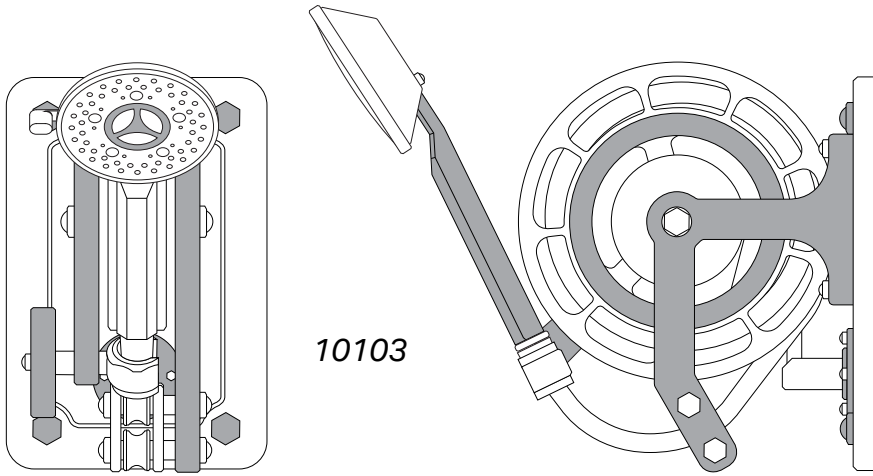
Satin Chrome - SC

Satin Gold - SG

Tuscan Brass - TB

SHOWER

White = Primary finish
Gray = Accent finish

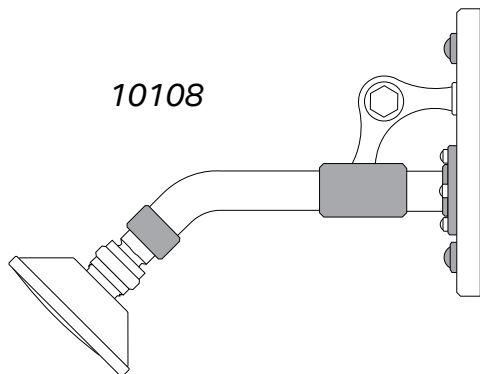
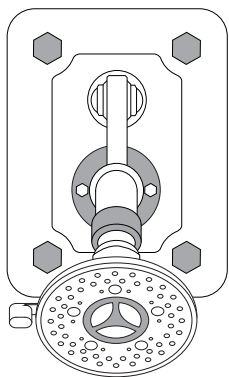


10107

10101

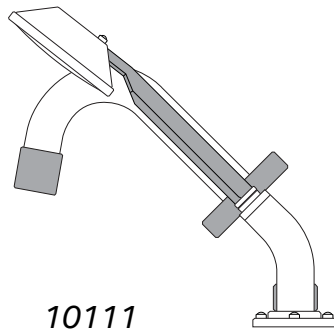
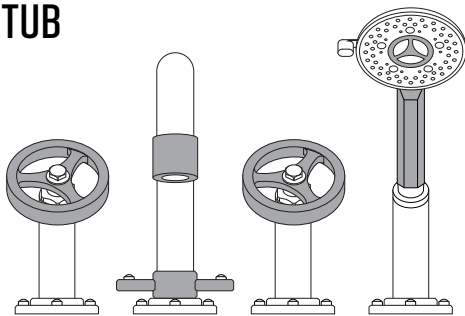
SPLIT FINISH DIAGRAMS

SHOWER

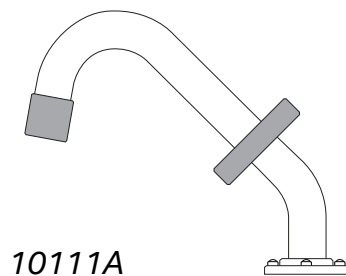
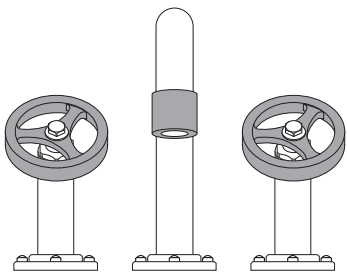


10108

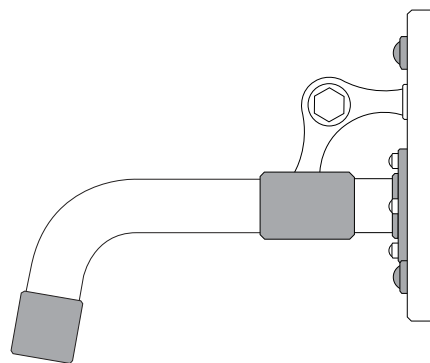
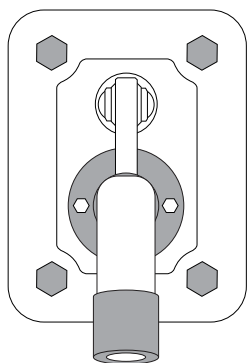
TUB



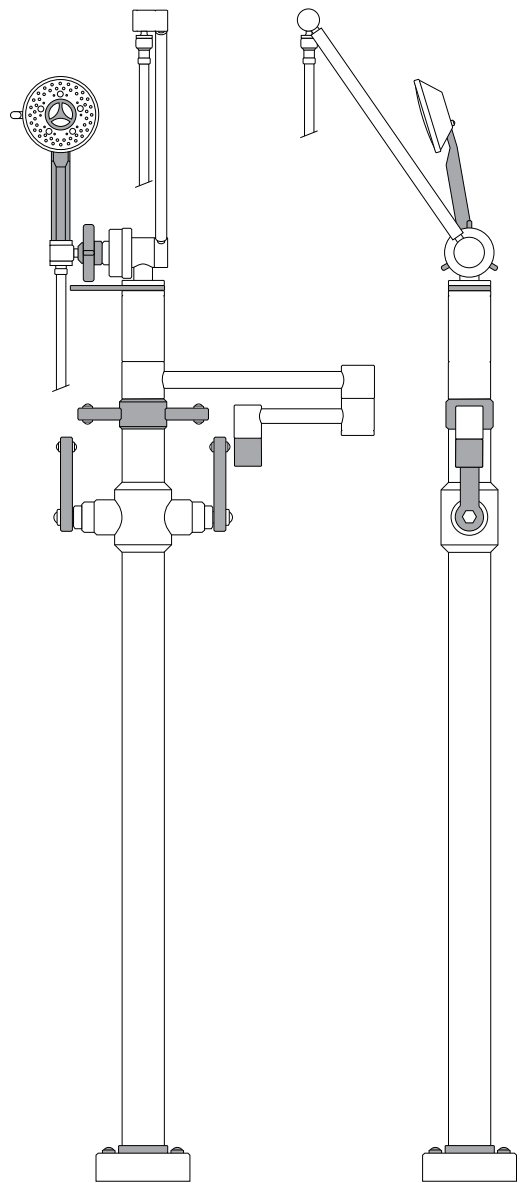
10111



10111A



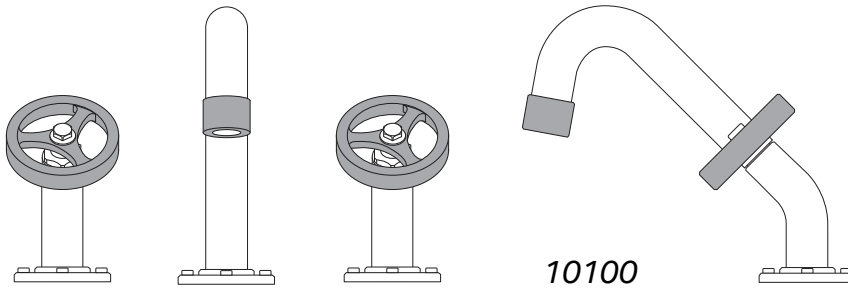
10106



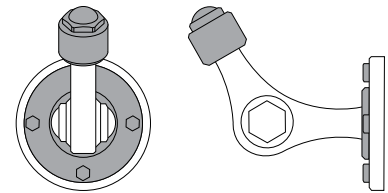
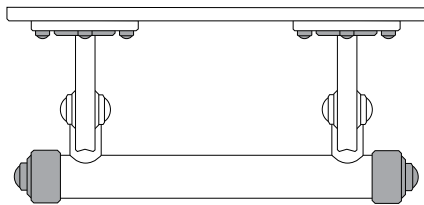
10110

LAVATORY FAUCET

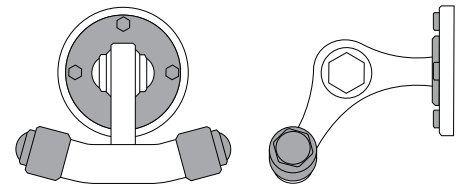
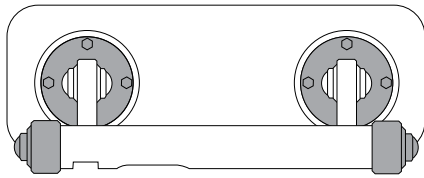
White = Primary finish
 Gray = Accent finish



ACCESSORIES

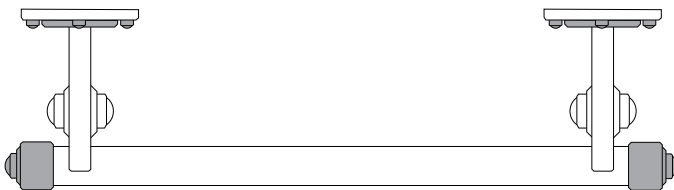
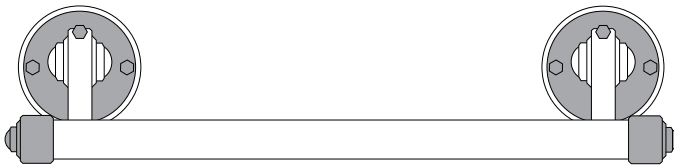


10150



10155

10160



10165, 10170, 10175, 10180

RETRACTABLE WHEEL SYSTEM W/ HAND SHOWER

LIST PRICES:

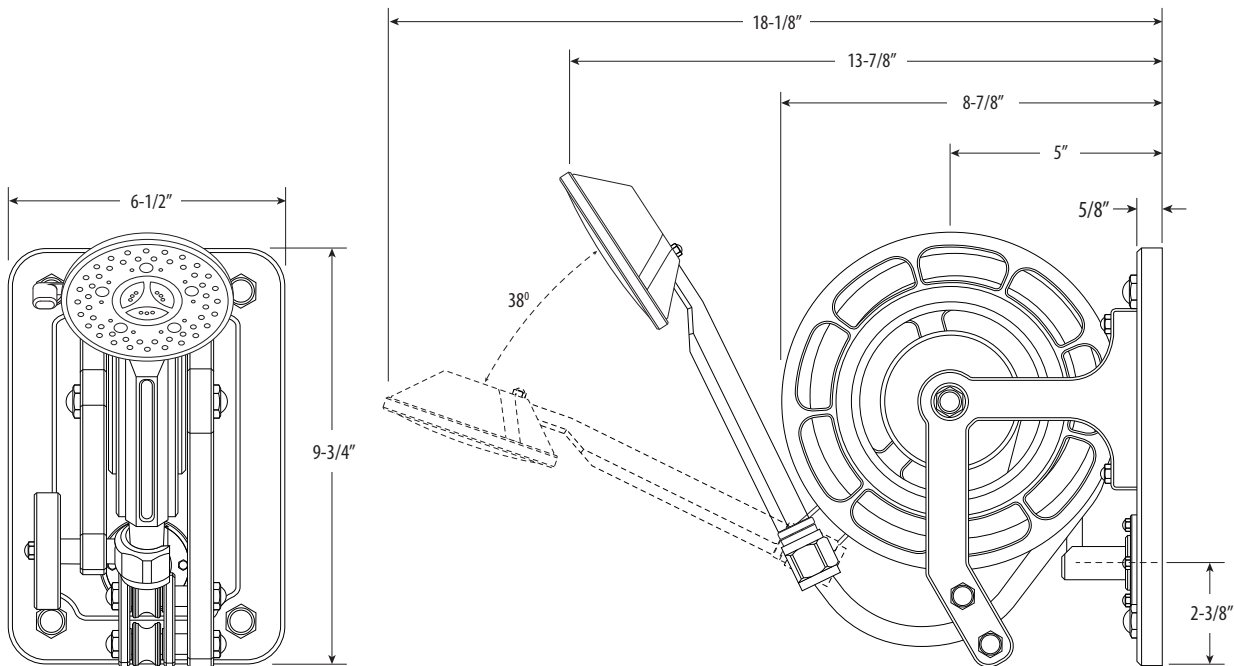
MODEL #	GRP 1	GRP 2
10103	10350	11565

FEATURES:

- Wheel spring technology allows the hand shower to be extracted from holder with ease.
- Hand shower hose locks in place when deployed, then auto retracts with a gentle tug.
- 68" hose length.
- 4" wide spray face.
- 1.75 gpm flow rate.
- Hand shower can be adjusted up and down to desired spray angle.
- Hand shower includes thumb tab for a smooth transition between spray options.
- 3 individual spray options - firm, massage or soft aerated spray.
- Resistant to reverse osmosis water.

MEETS THE FOLLOWING:

- ASME A112.18.1
- CSA B125.1
- CALGreen



FINISH GROUP 1: CH
FINISH GROUP 2: CLZ, MB, PN, SN, UPB
SPLIT FINISH: SEE PAGE 10

WALL MOUNT SHOWER HEAD W/ BACK PLATE

LIST PRICES:

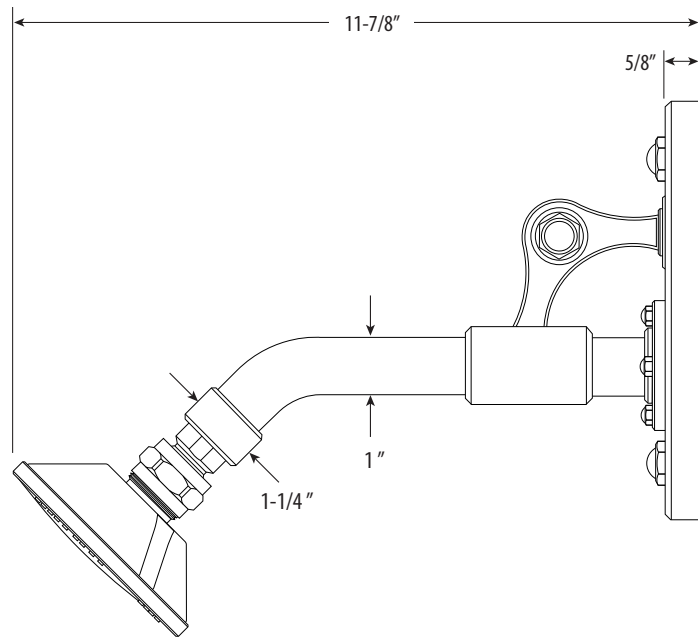
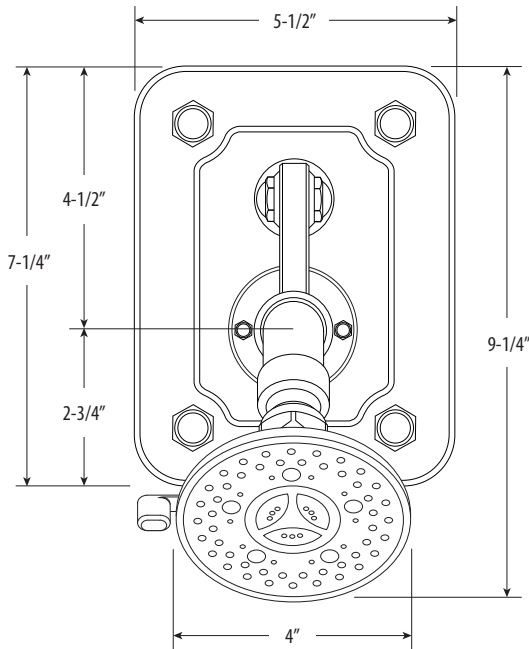
MODEL #	GRP 1	GRP 2
10108	3555	3893

FEATURES:

- 4" wide spray face.
- 9" shower arm reach.
- 1.75 gpm maximum flow rate.
- 5-1/2"W x 7-1/4"H back plate.
- Shower head includes thumb tab for a smooth transition between spray options.
- 3 individual spray options - firm, massage or soft aerated spray.
- Shower head can swivel in any direction for desired spray angle.
- Resistant to reverse osmosis water.

MEETS THE FOLLOWING:

- ASME A112.18.1
- CSA B125.1
- CALGreen



FINISH GROUP 1: CH
FINISH GROUP 2: CLZ, MB, PN, SN, UPB
SPLIT FINISH: SEE PAGE 10

THERMOSTATIC SHOWER TRIM W/ BUILT-IN VOLUME CONTROL

LIST PRICES:

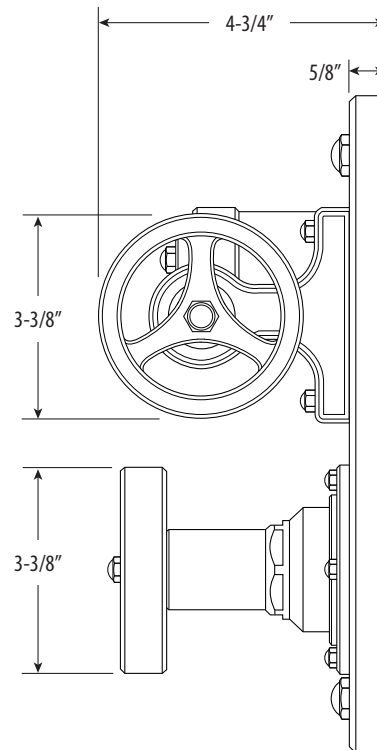
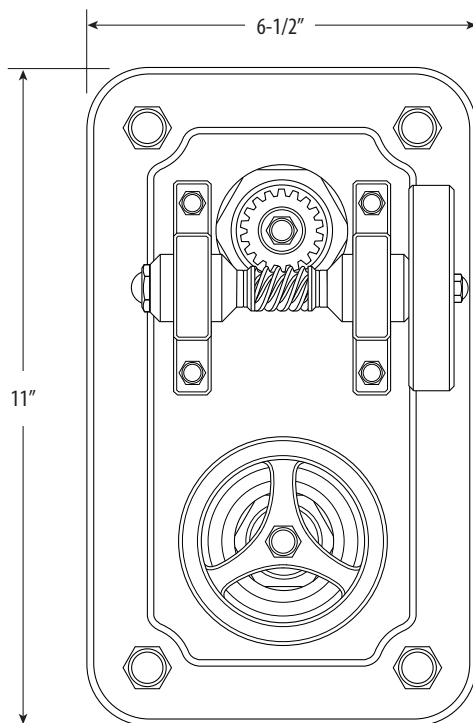
MODEL #	GRP 1	GRP 2
10101	6341	7560

FEATURES:

- Rough-in valve required (sold separately, model #10120).
- Independent controls for volume and water temperature.
- Hot limit stop prevents scalding.
- Push and turn handle feature overrides hot limit stop to increase water temperature.
- Volume control operates by stainless steel mechanical gear and drive screw system.
- 6-1/2"W x 11"H trim plate size.
- Includes cartridge stem extension kit for wall thickness up to 3".

MEETS THE FOLLOWING:

- ASME A112.18.1
- CSA B125.1
- CALGreen



FINISH GROUP 1: CH
FINISH GROUP 2: CLZ, MB, PN, SN, UPB
SPLIT FINISH: SEE PAGE 10

DIVERTER TRIM

LIST PRICES:

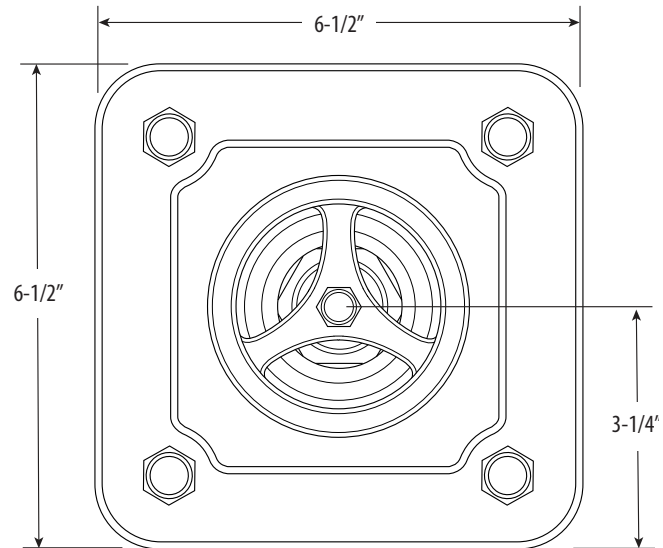
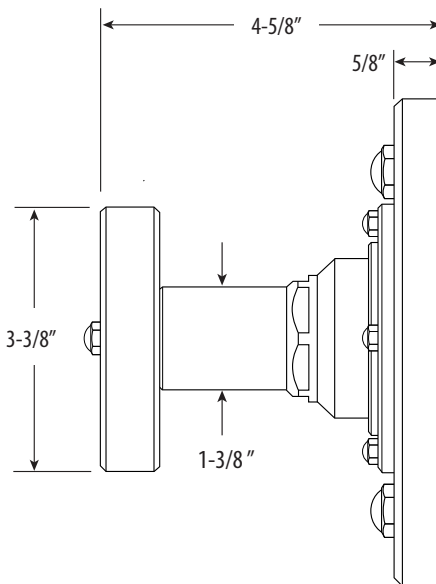
MODEL #	GRP 1	GRP 2
10105	2619	3195

FEATURES:

- Rough-in valve required (sold separately, model #10121).
- Single handle diverter allows a quick switch between 2 or 3 individual components.
- When turned, handle gently clicks into desired function.
- 6-1/2"W x 6-1/2"H trim plate size.
- Includes cartridge stem extension kit for wall thickness up to 3".

MEETS THE FOLLOWING:

- ASME A112.18.1
- CSA B125.1
- CALGreen



FINISH GROUP 1: CH
FINISH GROUP 2: CLZ, MB, PN, SN, UPB
SPLIT FINISH: SEE PAGE 10

SLIDE BAR HAND SHOWER

LIST PRICES:

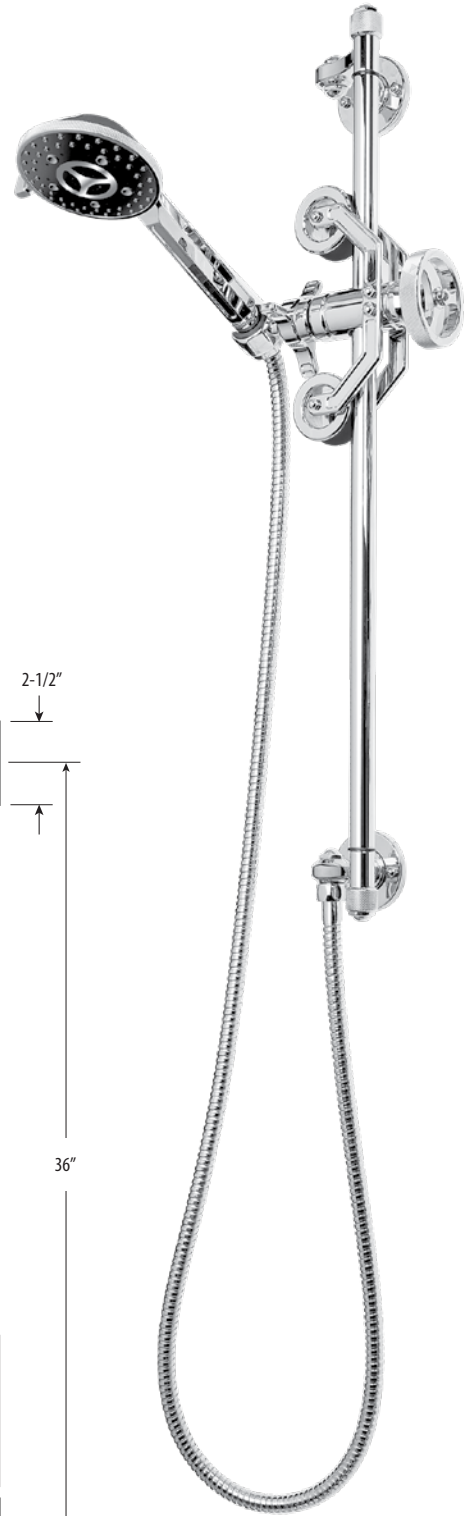
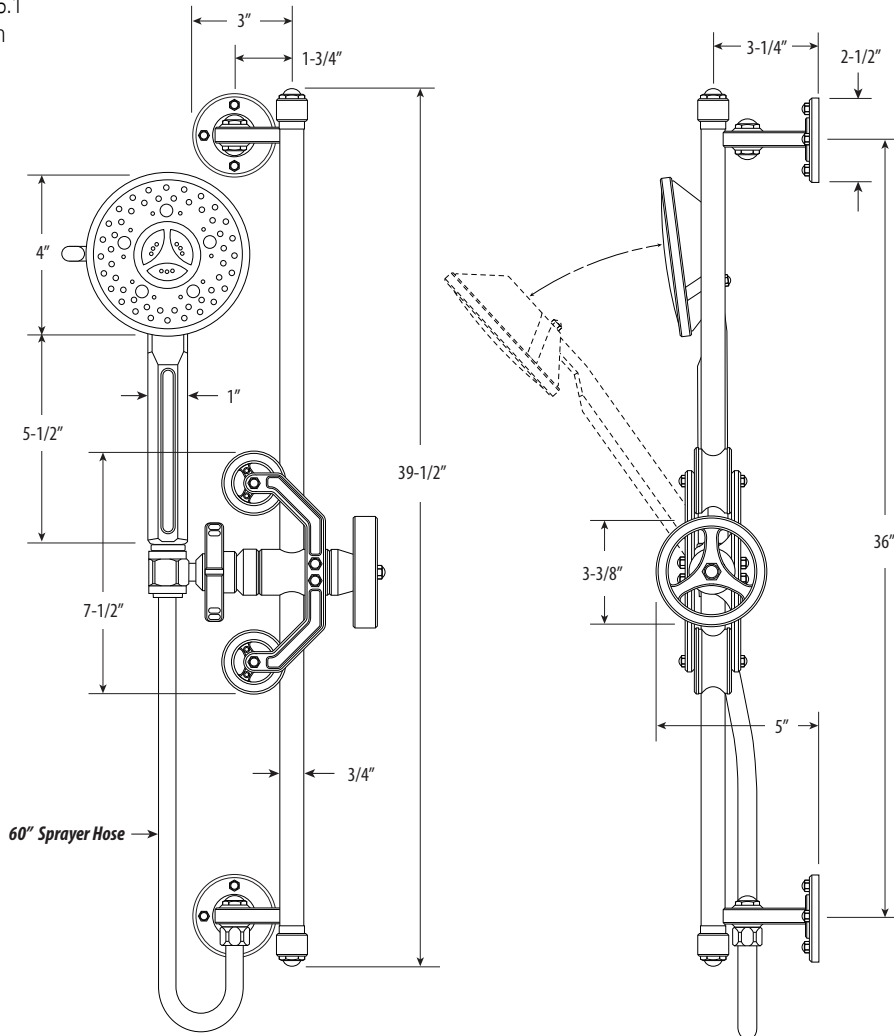
MODEL #	GRP 1	GRP 2
10107	7088	7448

FEATURES:

- Wheeled slide bar allows for variable shower heights.
- Bar mount locks hand shower in place to desired height, angle and position.
- 4" wide spray face.
- 60" hose length.
- 1.75 gpm flow rate.
- Hand shower includes thumb tab lock for a smooth transition between spray options.
- 3 individual spray options - firm, massage or soft aerated spray.
- Resistant to reverse osmosis water.

MEETS THE FOLLOWING:

- ASME A112.18.1
- CSA B125.1
- CALGreen



TUB

FREESTANDING TUB FILLER W/ HAND SHOWER

LIST PRICES:

MODEL #	GRP 1	GRP 2
10110	11700	13995

FEATURES:

- Rough-in required (sold separately, model #10123).
- Floor mounted, single post design.
- ADA compliant lever handles control desired volume and temperature.
- 3/4" hot and cold ceramic disk 1/4 turn cartridges.
- Push lever diverts water flow between tub spout and hand shower.
- Overall height: 62-1/8".
- Floor to spout tip height: 38".
- 17" articulated spout reach.
- Long reaching 60" spray hose.
- Spray arm spring technology allows hand shower to extend with ease.
- 4" hand shower spray face.
- 1.75 gpm hand shower flow rate.
- 3 individual spray options - firm, massage or soft aerated spray.
- Hand shower can be adjusted up and down to desired spray angle.



MEETS THE FOLLOWING:

- ASME A112.18.1
- CSA B125.1
- CALGreen
- ADA Compliant

FINISH GROUP 1: CH
FINISH GROUP 2: CLZ, MB, PN, SN, UPB
SPLIT FINISH: SEE PAGE 10

DECK MOUNT TUB FILLER W/ HAND SHOWER

LIST PRICES:

MODEL #	GRP 1	GRP 2
10111	8640	9653

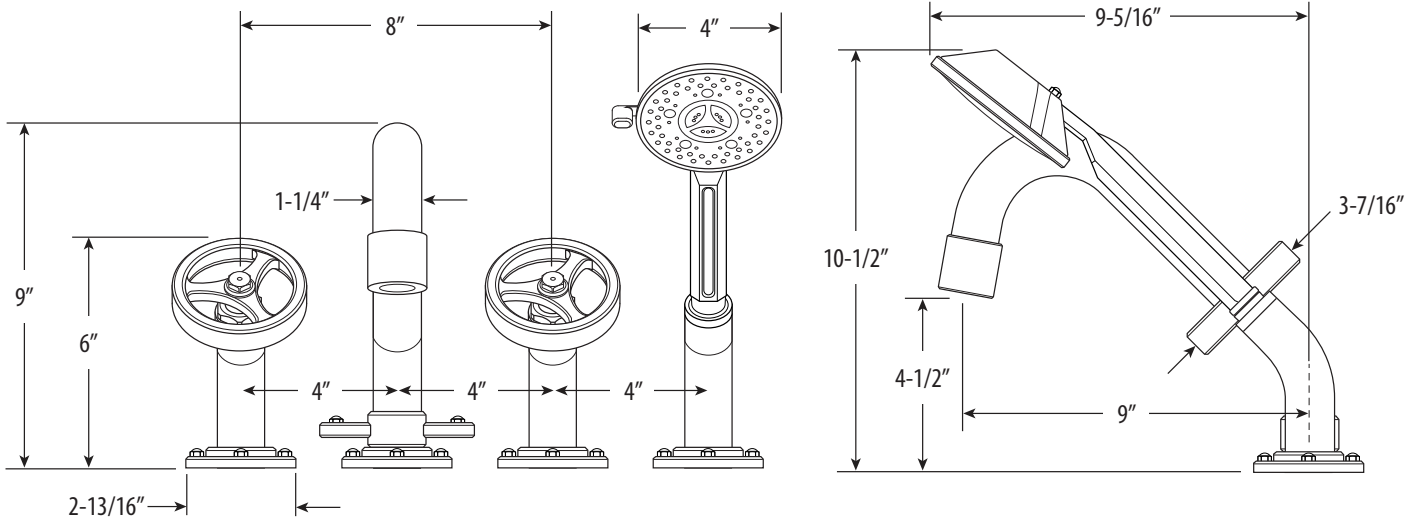
FEATURES:

- Rough-in required (sold separately, model #10124).
- 4 hole, 1-1/4" diameter mounting design.
- Handles can be installed on deck between 8" to 16" on center.
- 3/4" hot and cold ceramic disk 1/4 turn cartridges.
- 9" tub spout reach.
- Laminar spout flow creates a solid stream of water without splatter.
- 4" wide hand shower spray face.
- 1.75 gpm hand shower flow rate.
- Shower head reverse flow prevention check valve.
- Push lever diverts water flow between tub spout and hand shower.
- Hand shower includes thumb tab for a smooth transition between spray options.
- 3 individual spray options - firm, massage or soft aerated spray.
- Resistant to reverse osmosis water.



MEETS THE FOLLOWING:

- ASME A112.18.1
- CSA B125.1
- CALGreen



FINISH GROUP 1: CH
FINISH GROUP 2: CLZ, MB, PN, SN, UPB
SPLIT FINISH: SEE PAGE 10

DECK MOUNT TUB FILLER

LIST PRICES:

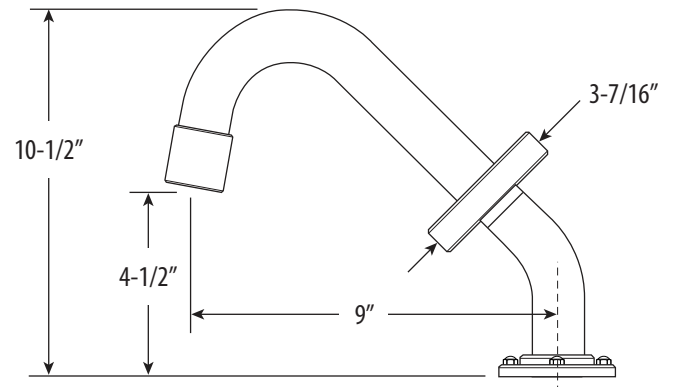
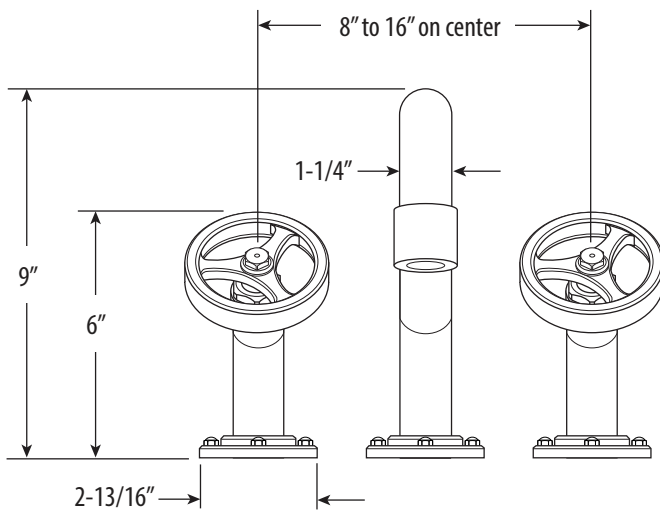
MODEL #	GRP 1	GRP 2
10111A	6323	7065

FEATURES:

- Rough-in required (sold separately, model #10124).
- 3 Hole, 1-1/4" diameter mounting design.
- Handles can be installed on deck between 8" to 16" on center.
- 3/4" hot and cold ceramic disk 1/4 turn cartridges.
- 9" tub spout reach.
- Laminar spout flow creates a solid stream of water without splatter.
- Resistant to reverse osmosis water.

MEETS THE FOLLOWING:

- ASME A112.18.1
- CSA B125.1
- CALGreen



FINISH GROUP 1: CH
FINISH GROUP 2: CLZ, MB, PN, SN, UPB
SPLIT FINISH: SEE PAGE 10

WALL MOUNT TUB SPOUT W/ BACK PLATE

LIST PRICES:

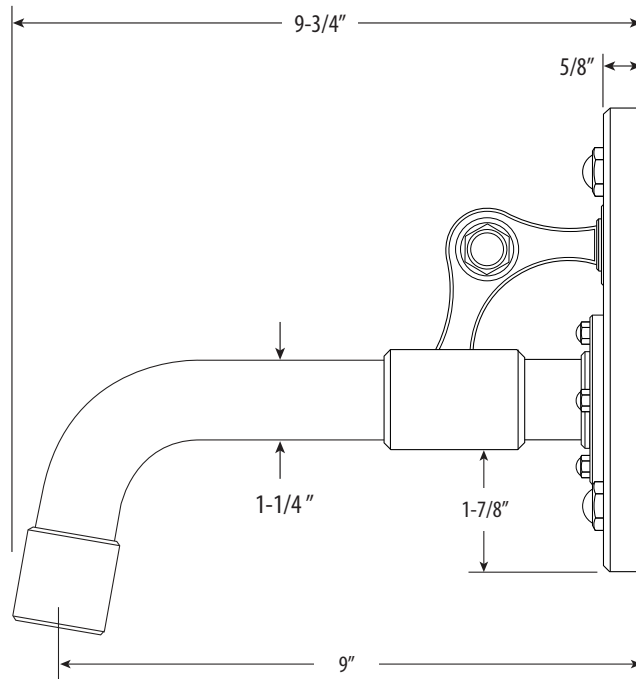
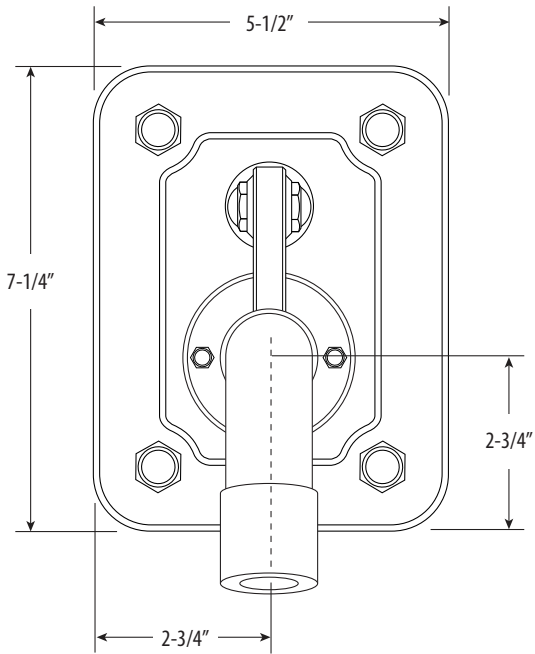
MODEL #	GRP 1	GRP 2
10106	3465	3722

FEATURES:

- 9" tub spout reach.
- Laminar spout flow creates a solid stream of water without splatter.
- 5-1/2"W x 8-1/4"H back plate.
- Resistant to reverse osmosis water.

MEETS THE FOLLOWING:

- ASME A112.18.1
- CSA B125.1
- CALGreen



FINISH GROUP 1: CH
FINISH GROUP 2: CLZ, MB, PN, SN, UPB
SPLIT FINISH: SEE PAGE 10

LAVATORY FAUCET AND PUSH DRAIN

MODEL NO. 10100 - PUSH DRAIN W/ OVERFLOW

MODEL NO. 10100A - PUSH DRAIN W/O OVERFLOW

LIST PRICES:

MODEL #	GRP 1	GRP 2
10100	3308	3555
10100A	3308	3555
101112	475	550
101113	435	510

FEATURES:

- Two-handle, widespread bathroom lavatory faucet.
- Includes push drain. With overflow (10100) or without overflow (10100A).
- 6-3/8" spout reach.
- Handles can be installed between 8" to 16" on center.
- 1/2" hot and cold ceramic disk 1/4 turn cartridges.
- 1.75 gpm maximum flow rate.
- Aerated spout tip for smooth water flow.
- 20" reinforced braided connection hoses with 3/8" compression fitting.
- Resistant to reverse osmosis water.

MEETS THE FOLLOWING:

- ASME A112.18.1
- CSA B125.1
- NSF 61, 372
- CALGreen

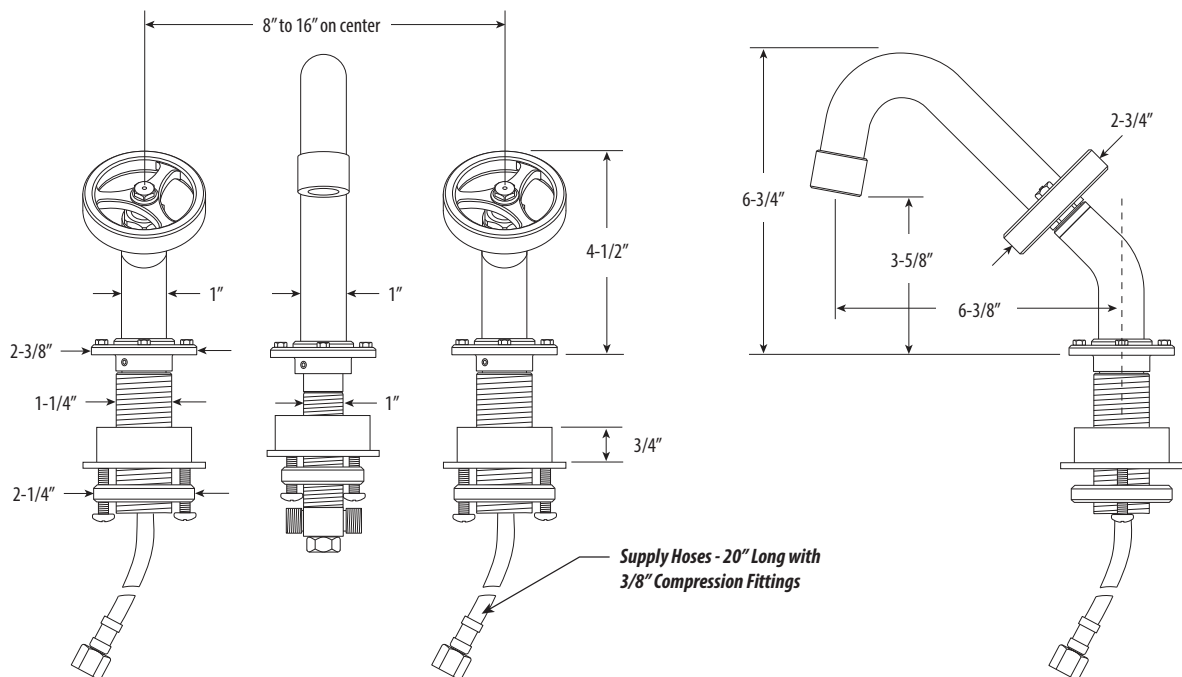


10112 - OVERFLOW



10113 - NO OVERFLOW

LAVATORY



FINISH GROUP 1: CH
 FINISH GROUP 2: CLZ, MB, PN, SN, UPB
 SPLIT FINISH: SEE PAGE 10

10165, 10170, 10175, 10180

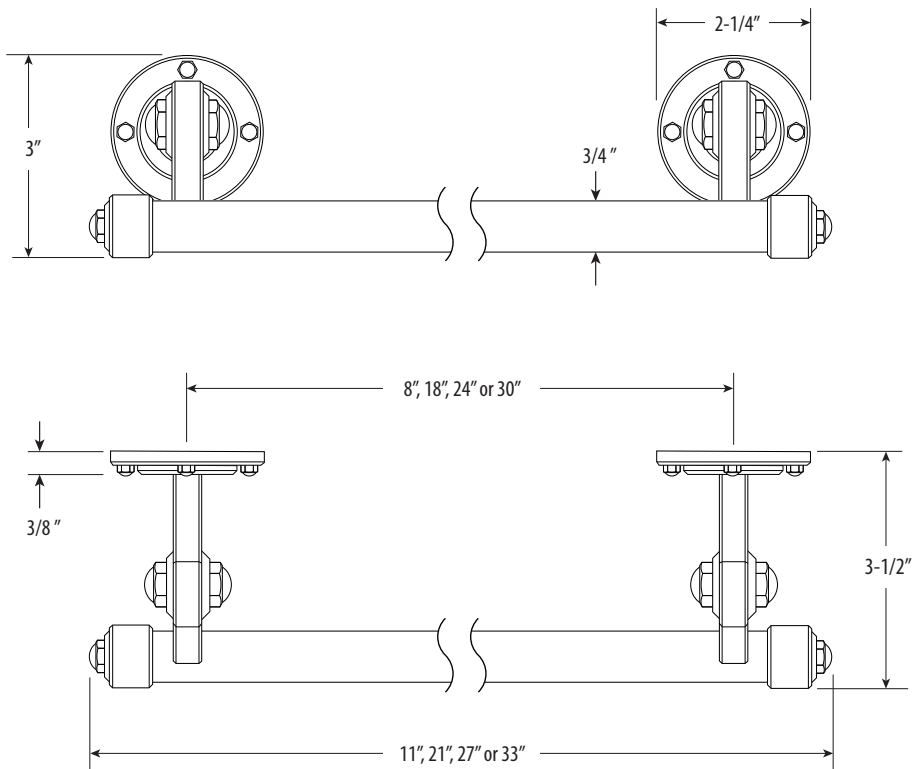
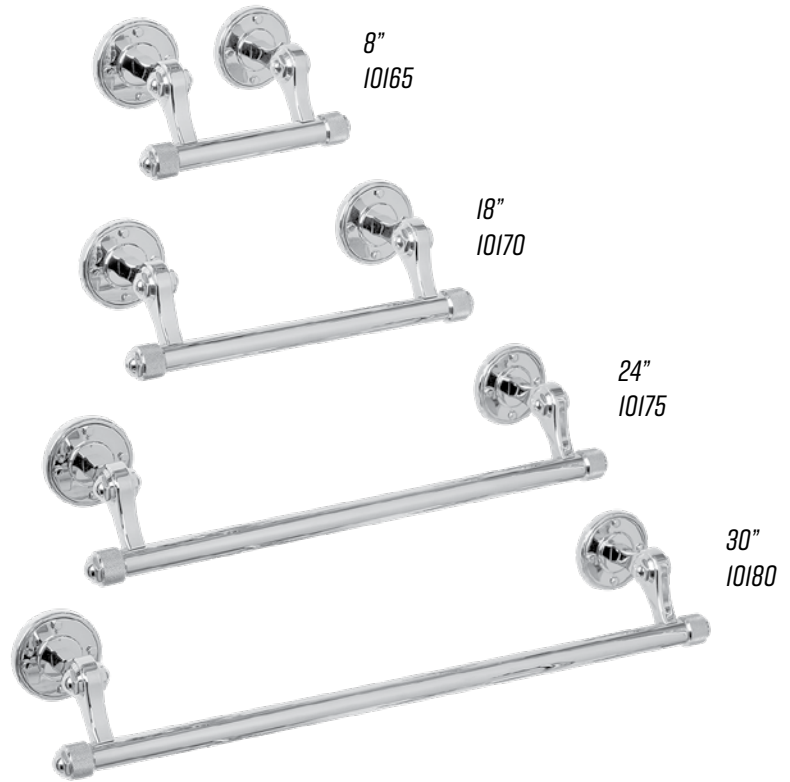
TOWEL BARS

LIST PRICES:

MODEL #	GRP 1	GRP 2
10165	1636	1798
10170	1870	2061
10175	2083	2291
10180	2253	2478

FEATURES:

- Available in 8in, 18in, 24in or 30in wide.
- Includes heavy duty snap toggle mounting system for drywall and screws for wood doors or panels.



FINISH GROUP 1: CH
FINISH GROUP 2: CLZ, MB, PN, SN, UPB
SPLIT FINISH: SEE PAGE 10

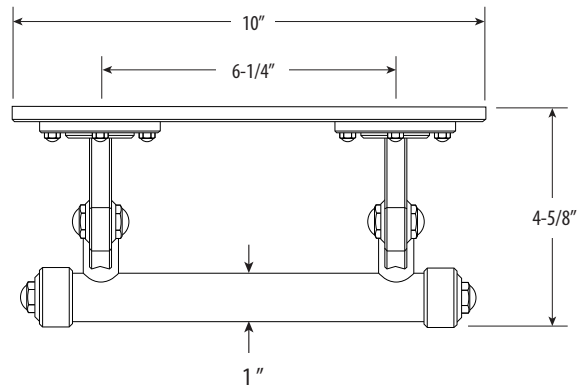
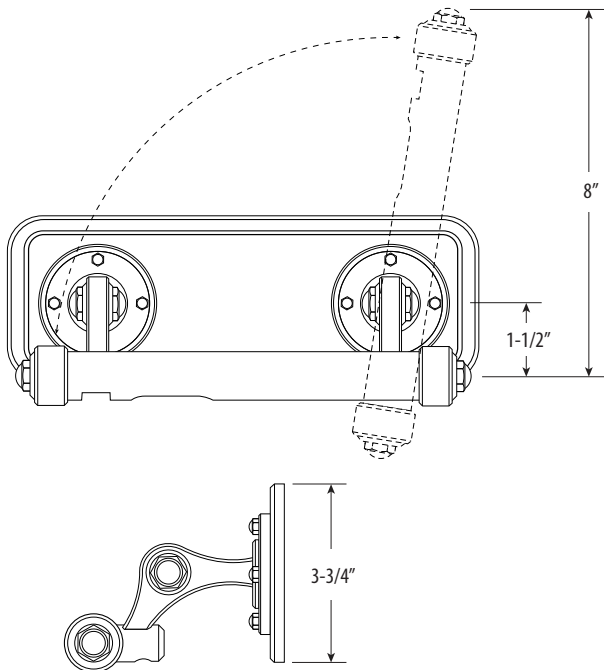
TOILET PAPER HOLDER

LIST PRICES:

MODEL #	GRP 1	GRP 2
10160	1573	1815

FEATURES:

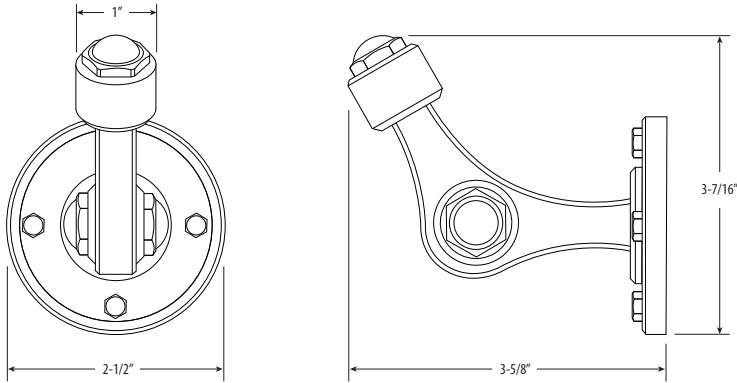
- Pull-to-unlock holder rod pivots vertically to make changing tissue quick and easy.
- Rod pivots back into place and locks to secure paper.
- 10"W x 3-1/4"H back plate.
- Includes heavy duty snap toggle mounting system for drywall and screws for wood doors or panels.



ACCESSORIES

FINISH GROUP 1: CH
FINISH GROUP 2: CLZ, MB, PN, SN, UPB
SPLIT FINISH: SEE PAGE 10

10150



SINGLE ROBE HOOK

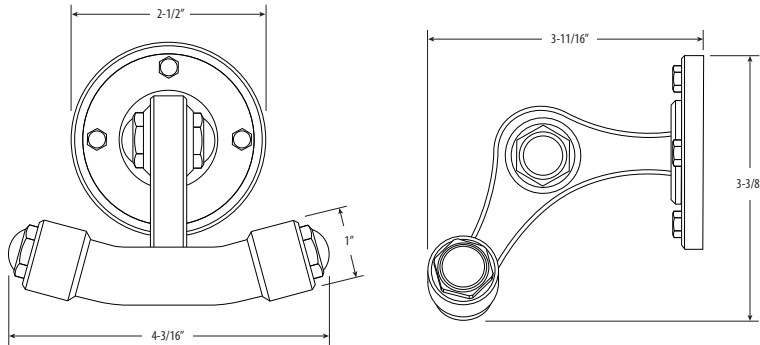
LIST PRICES:

MODEL #	GRP 1	GRP 2
10150	1041	1148

FEATURES:

- 2-1/2"W x 3-7/16"H back plate.
- Extends 3-5/8" from wall.
- Includes heavy duty snap toggle mounting system for drywall and screws for wood doors or panels.
- Ideal for hanging heavy robes or towels.

10155



DOUBLE ROBE HOOK

LIST PRICES:

MODEL #	GRP 1	GRP 2
10155	1126	1241

FEATURES:

- 2-1/2"W x 3-3/8"H back plate.
- Extends 3-11/16" from wall.
- Includes heavy duty snap toggle mounting system for drywall and screws for wood doors or panels.
- Ideal for hanging two heavy robes or towels.

10120

THERMOSTATIC SHOWER VALVE

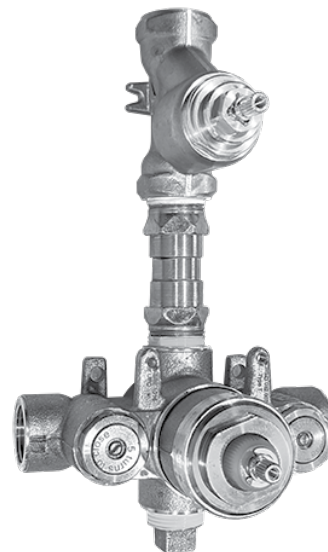
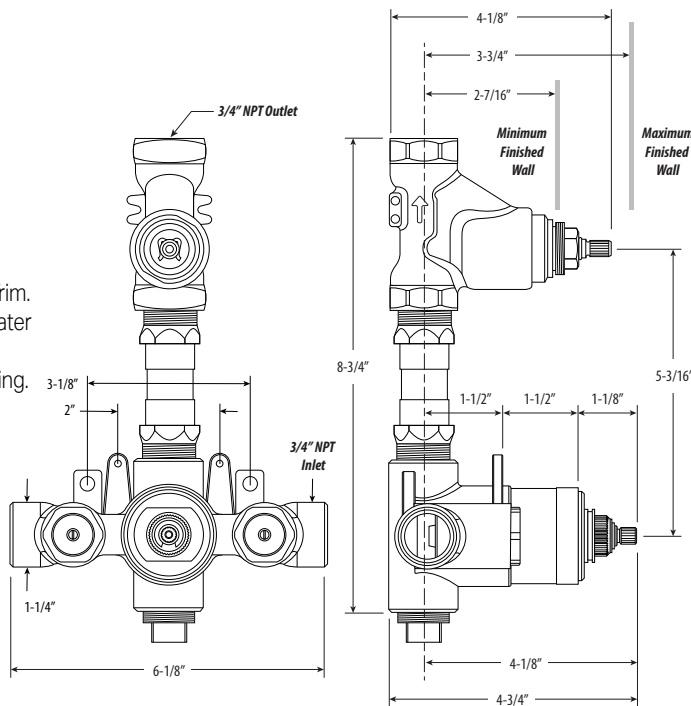
(ROUGH-IN FOR 10101)

LIST PRICES:

MODEL #	ROUGH
10120	503

FEATURES:

- Rough-in valve kit for the 10101 Thermostatic-Volume Control Shower Trim.
- Independent controls for volume and water temperature.
- Adjustable hot limit stop prevents scalding.
- 1/4 turn washer-less ceramic disc, 3/4" valve cartridges.
- Integral hot and cold inlet service stops ensure easy cartridge access.
- 3/4" NPT female thread (inlet and outlet) valve body.
- Brass construction.
- Includes mud guard and hardware.
- Trim kit sold separately.



MEETS THE FOLLOWING:

- ASME A112.18.1
- CSA B125.1

DIVERTER CONTROL VALVE

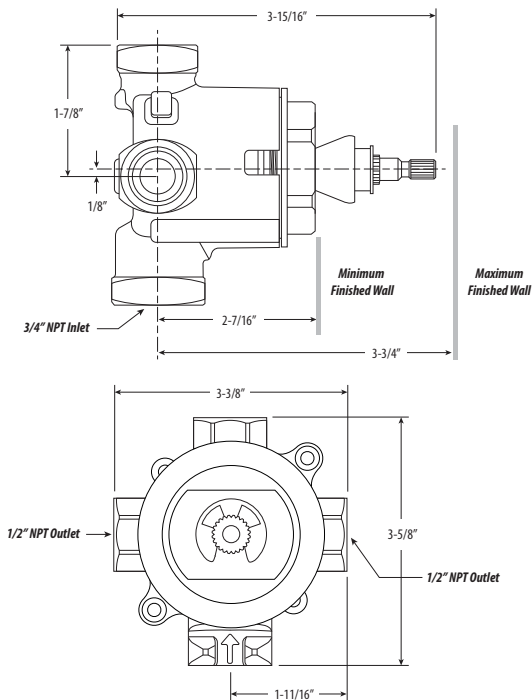
(ROUGH-IN FOR 10105)

LIST PRICES:

MODEL #	ROUGH
10121	350

FEATURES:

- Rough-in valve for the 10105 Diverter Trim.
- Two or three-way diverter valve.
- Diverts water flow to up to three separate components/outlets.
- Single handle operation.
- 3/4" NPT female inlet connection.
- Three 1/2" NPT female outlet connections.
- Brass construction.
- Includes mud guard and hardware.
- Trim kit sold separately.



MEETS THE FOLLOWING:

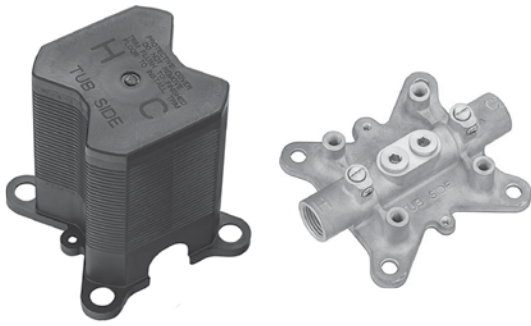
- ASME A112.18.1
- CSA B125.1

FINISH GROUP 1: CH
FINISH GROUP 2: BLN, CHB, CLZ, GR, MB, MW, PB, PN, SB, SC, SN, UPB
FINISH GROUP 3: AB, ABZ, AC, AMB, AP, CB, DAB, DAC, DAMB, DAP, MAB, MAC, MAP, ORB, PC, TB

PRECIOUS METALS: PG, SG - 30% increase from Group 3*
STAINLESS STEEL: SS
SPLIT FINISHES: SEE PAGE 32

*Pricing subject to change

10123



FREESTANDING TUB VALVE
(ROUGH-IN FOR 10110)

LIST PRICES:

MODEL #	ROUGH
10123	526

FEATURES:

- Rough-in valve for the 10110 Freestanding Tub Filler.
- 1/2" NPT inlet connections.
- Maximum floor thickness 2-1/4".
- Brass construction.
- Includes mud guard and hardware.
- Trim sold separately.

MEETS THE FOLLOWING:

- ASME A112.18.1
- CSA B125.1

10124

DECK MOUNT TUB VALVE
(ROUGH-IN FOR 10111, 10111A)

LIST PRICES:

MODEL #	ROUGH
10124	375

FEATURES:

- Rough-in valve for the 10111 and 10111A Deck Mount Tub Fillers.
- Ceramic disc valve cartridge.
- 20" reinforced braided connection hoses with 1/2" copper pipe solder fittings.
- 1.75 gpm flow rate for hand shower at 45psi.
- Brass construction.
- Trim kit sold separately.

MEETS THE FOLLOWING:

- ASME A112.18.1
- CSA B125.1

PRICING BY MODEL

MODEL	NAME	GRP 1	GRP 2	ROUGH	SPEC PG.
10100	LAVATORY FAUCET AND PUSH DRAIN W/ OVERFLOW	3308	3555		23
10100A	LAVATORY FAUCET AND PUSH DRAIN W/O OVERFLOW	3308	3555		23
10101	THERMOSTATIC SHOWER TRIM W/ BUILT-IN VOLUME CONTROL (REQUIRES 10120 ROUGH-IN)	6341	7560		16
10120	THERMOSTATIC SHOWER VALVE (ROUGH-IN FOR 10101)			503	27
10103	RETRACTABLE WHEEL SYSTEM W/ HAND SHOWER	10350	11565		14
10105	DIVERTER TRIM (REQUIRES 10121 ROUGH-IN)	2619	3195		17
10121	DIVERTER CONTROL VALVE (ROUGH-IN FOR 10105)			350	27
10106	WALL MOUNT TUB SPOUT W/ BACK PLATE	3465	3722		22
10107	SLIDE BAR HAND SHOWER	7088	7448		18
10108	WALL MOUNT SHOWER HEAD W/ BACK PLATE	3555	3893		15
10110	FREESTANDING TUB FILLER W/ HAND SHOWER (REQUIRES 10123 ROUGH-IN)	11700	13995		19
10123	FREESTANDING TUB VALVE (ROUGH-IN FOR 10110)			526	28
10111	DECK MOUNT TUB FILLER W/ HAND SHOWER (REQUIRES 10124 ROUGH-IN)	8640	9653		20
10111A	DECK MOUNT TUB FILLER (REQUIRES 10124 ROUGH-IN)	6323	7065		21
10124	DECK MOUNT TUB VALVE (ROUGH-IN FOR 10111, 10111A)			375	28
10112	LAVATORY PUSH DRAIN W/ OVERFLOW	475	550		23
10113	LAVATORY PUSH DRAIN W/O OVERFLOW	435	510		23
10150	SINGLE ROBE HOOK	1041	1148		26
10155	DOUBLE ROBE HOOK	1126	1241		26
10160	TOILET PAPER HOLDER	1573	1815		25
10165	8" TOWEL BAR	1636	1798		24
10170	18" TOWEL BAR	1870	2061		24
10175	24" TOWEL BAR	2083	2291		24
10180	30" TOWEL BAR	2253	2478		24

All Argonaut Bath Suite products are available in 6 Finishes:

Chrome, Classic Bronze, Matte Black, Polished Nickel, Satin Nickel and Unlacquered Polished Brass

FINISH GROUP 1: CH

FINISH GROUP 2: CLZ, MB, PN, SN, UPB





SPLIT FINISHES - KITCHEN

ORDERING A SPLIT FINISH MADE EASY

All split finish sales are final and cannot be returned, altered, or cancelled once submitted.

Prior to ordering please contact customer service at wscustomerpo@waterstoneco.com and request the sign off sheet for your model. The sign off sheet must be signed and dated and returned with your order.

WATERSTONE DESIGNED STANDARD SPLIT FINISHES

(Standard lead times apply)

Faucet can be split using any combination of the standard finishes listed below. For pricing add 10% to the higher list price of the 2 finishes.

- Chrome - CH**
- Classic Bronze - CLZ**
- Matte Black - MB**
- Matte White - MW**
- Polished Brass - PB**
- Polished Nickel - PN**
- Satin Brass - SB**
- Satin Nickel - SN**
- Stainless Steel - SS**
- Unlacquered Polished Brass - UPB**



HOW TO DESIGNATE A SPLIT FINISH FAUCET WHEN ORDERING

Take the model number and add both finishes to the suffix starting with the **Primary finish** followed by the **Accent finish**. For Matte Black (MB) and Classic Bronze (CLZ), it would be **9810-MB_CLZ**. If you wanted Classic Bronze (CLZ) and Polished Nickel (PN) it would be **9850-CLZ_PN**. For all split finish designs click "Split Finishes" in the top menu of our home page on www.waterstoneco.com

WATERSTONE DESIGNED CUSTOM SPLIT FINISHES

(Custom lead time is 10 weeks)

Faucet can be split using any combination of the finishes offered by Waterstone. For pricing, add 40% to the higher list price of the 2 finishes.

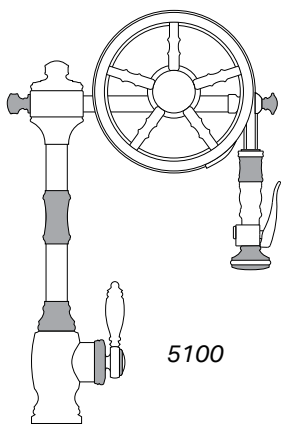
- American Bronze - AMB**
- Antique Brass - AB**
- Antique Bronze - ABZ**
- Antique Copper - AC**
- Antique Pewter - AP**
- Black Nickel - BLN**
- Black Oil Rubbed Bronze - ORB**
- Caribbean Bronze - CB**

- Chocolate Bronze - CHB**
- Distressed American Bronze - DAMB**
- Distressed Antique Brass - DAB**
- Distressed Antique Copper - DAC**
- Distressed Antique Pewter - DAP**
- Graphite - GR**
- Matte Antique Brass - MAB**
- Matte Antique Copper - MAC**

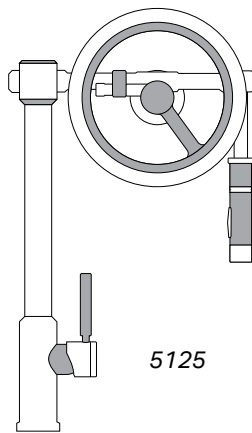
- Matte Antique Pewter - MAP**
- Polished Copper - PC**
- Polished Gold - PG**
- Satin Chrome - SC**
- Satin Gold - SG**
- Tuscan Brass - TB**

WHEEL FAUCETS

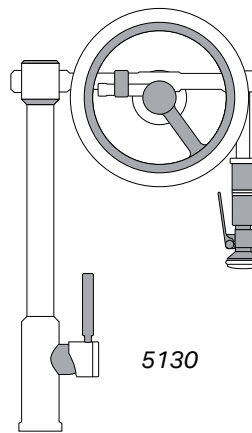
□ White = Primary finish
 ■ Gray = Accent finish



5100

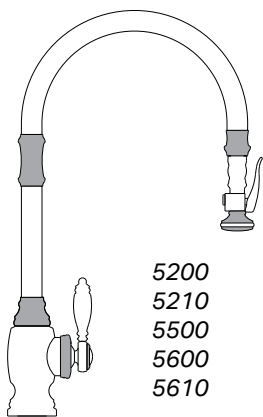


5125

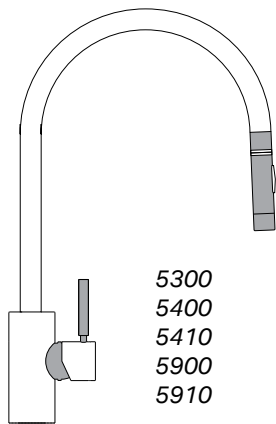


5130

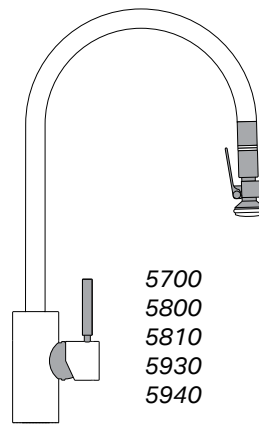
PLP PULLDOWN FAUCETS



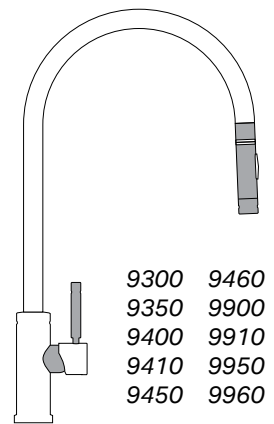
5200
 5210
 5500
 5600
 5610



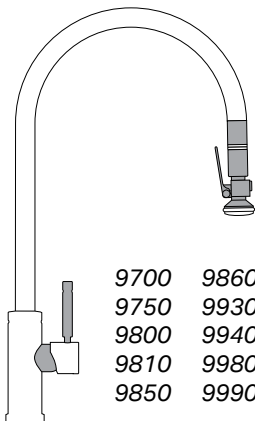
5300
 5400
 5410
 5900
 5910



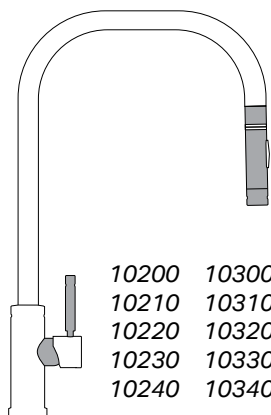
5700
 5800
 5810
 5930
 5940



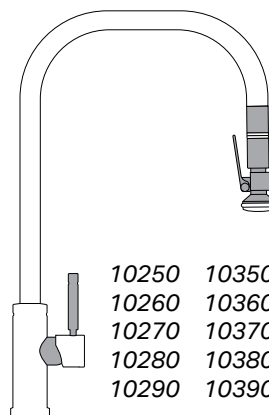
9300 9460
 9350 9900
 9400 9910
 9410 9950
 9450 9960



9700 9860
 9750 9930
 9800 9940
 9810 9980
 9850 9990

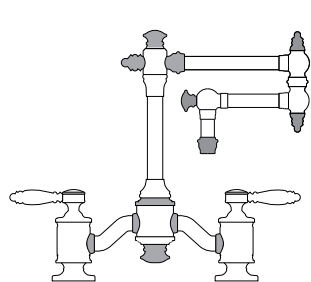


10200 10300
 10210 10310
 10220 10320
 10230 10330
 10240 10340

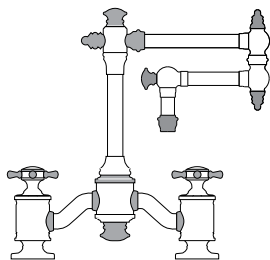


10250 10350
 10260 10360
 10270 10370
 10280 10380
 10290 10390

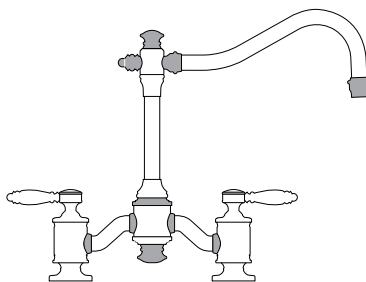
BRIDGE FAUCETS



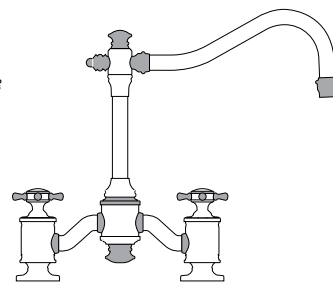
6100-12
6100-18



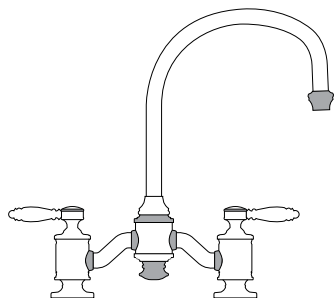
6150-12
6150-18



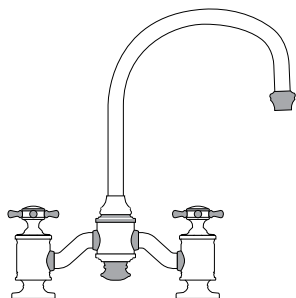
6200



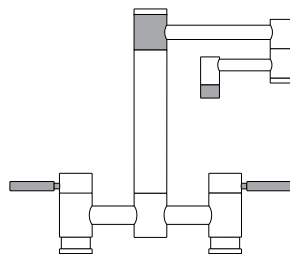
6250



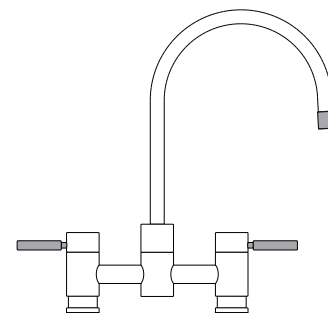
6300



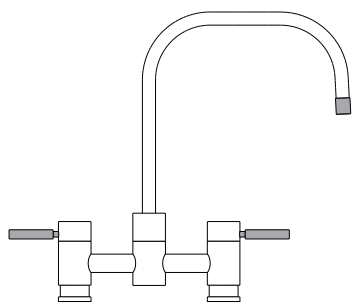
6350



7600-12
7600-18

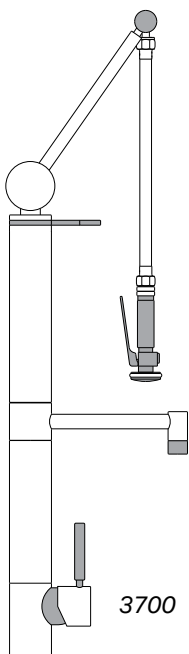


7800

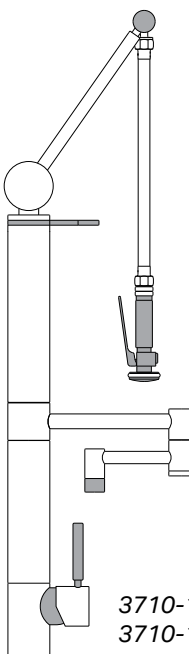


7825

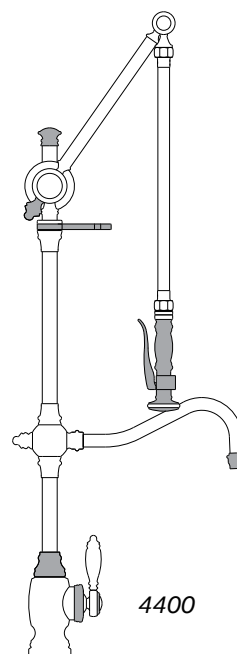
GANTRY FAUCETS



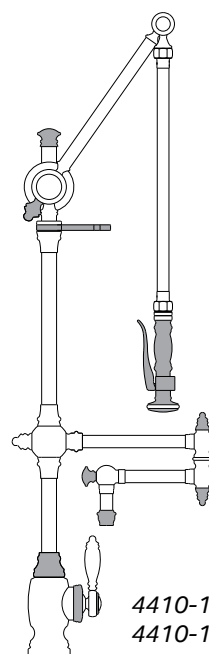
3700



3710-12
3710-18



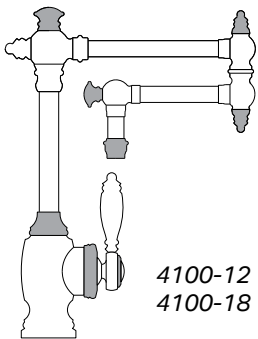
4400



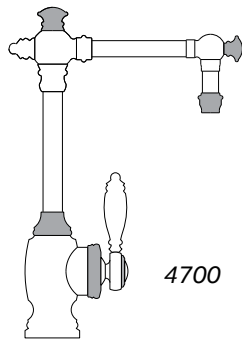
4410-12
4410-18

KITCHEN AND PREP FAUCETS

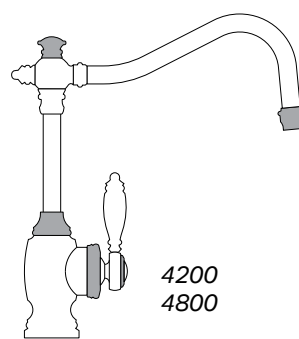
White = Primary finish
 Gray = Accent finish



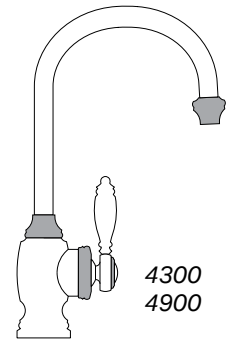
4100-12
4100-18



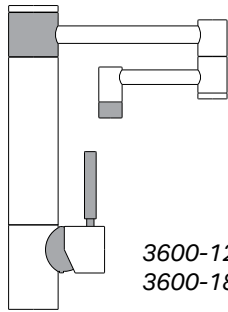
4700



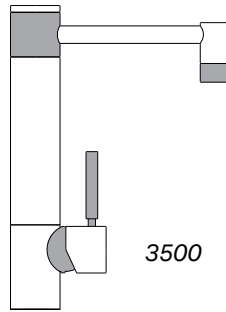
4200
4800



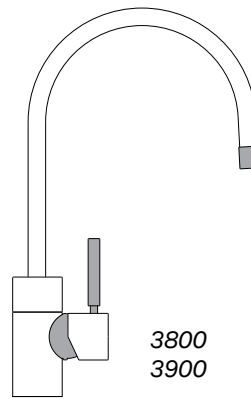
4300
4900



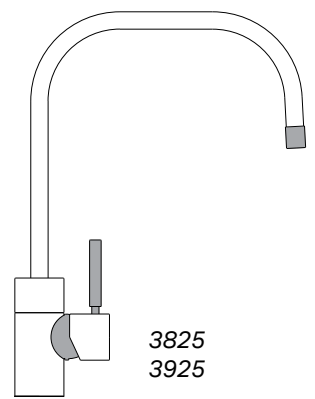
3600-12
3600-18



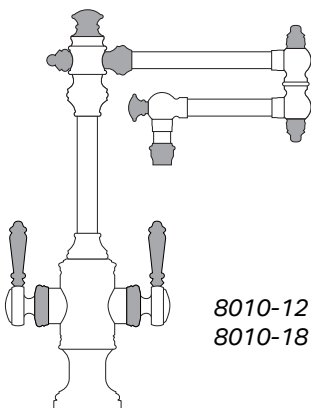
3500



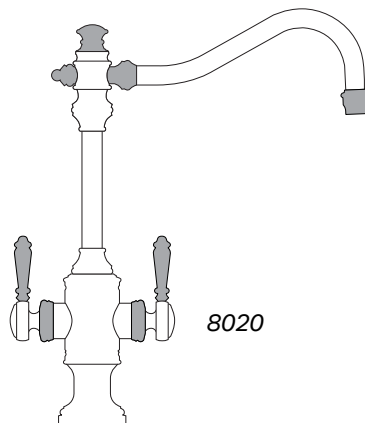
3800
3900



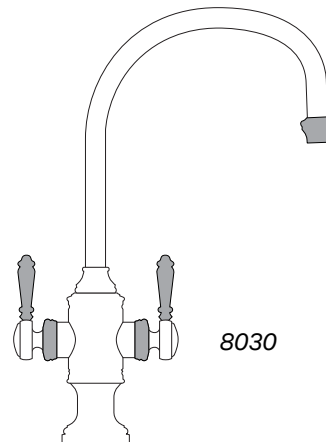
3825
3925



8010-12
8010-18

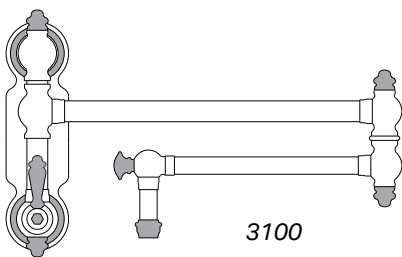


8020

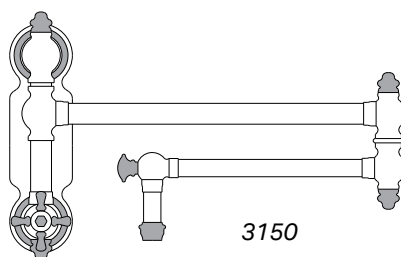


8030

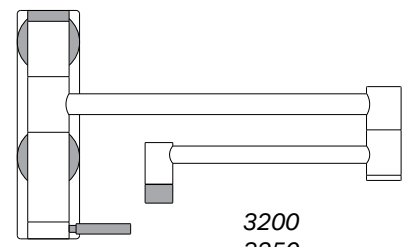
WALL MOUNTED POTFILLERS



3100



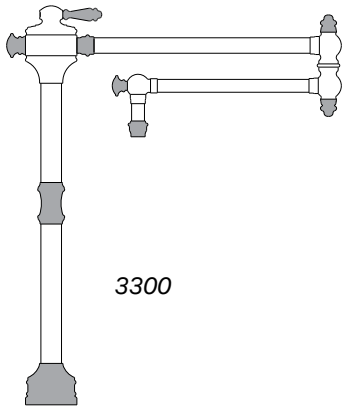
3150



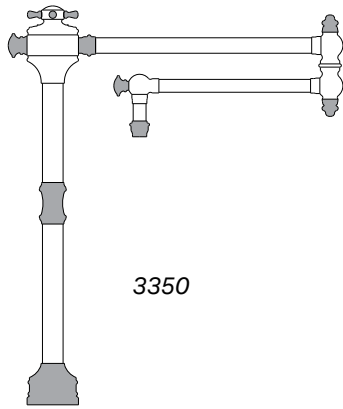
3200
3250

SPLIT FINISH DIAGRAMS

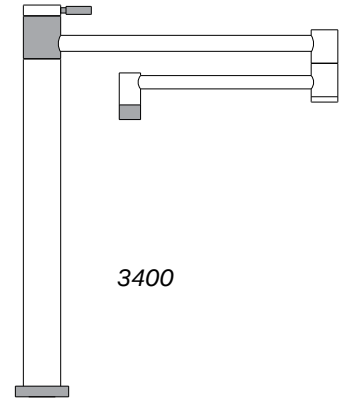
COUNTER MOUNTED POTFILLERS



3300

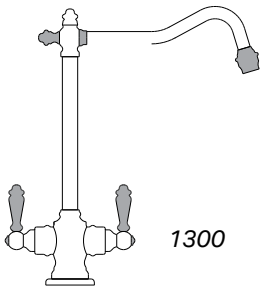


3350

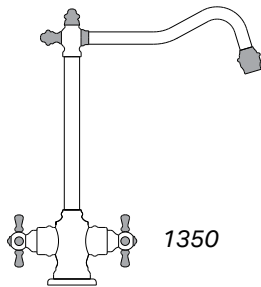


3400

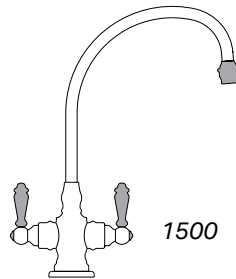
BAR FAUCETS



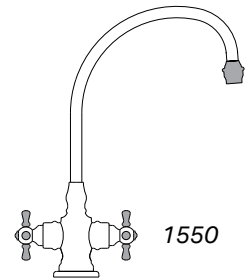
1300



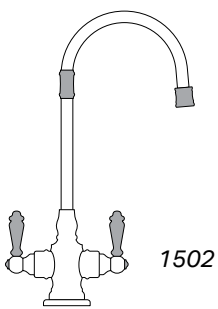
1350



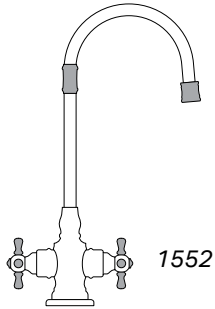
1500



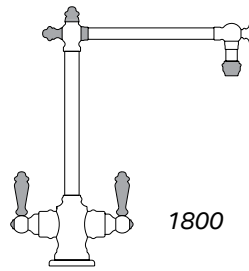
1550



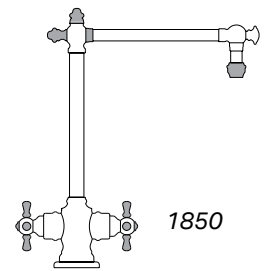
1502



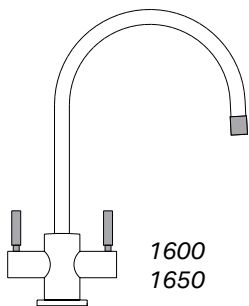
1552



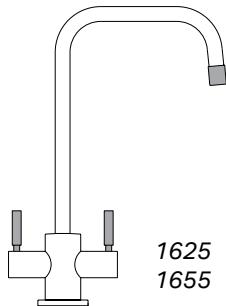
1800



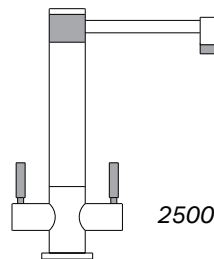
1850



1600
1650



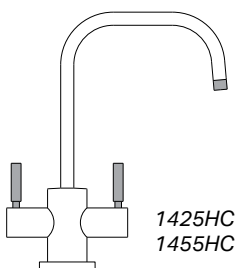
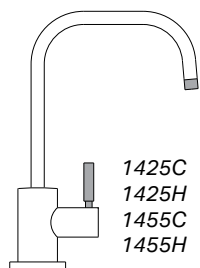
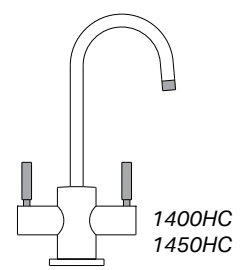
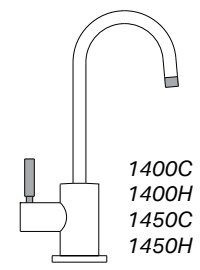
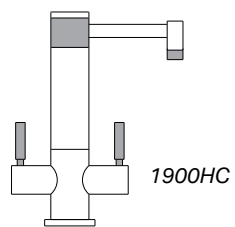
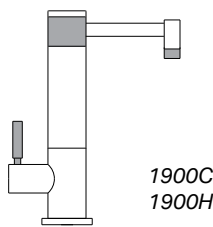
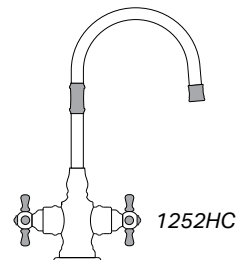
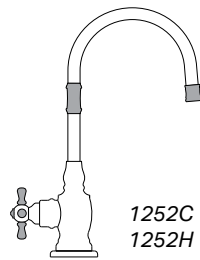
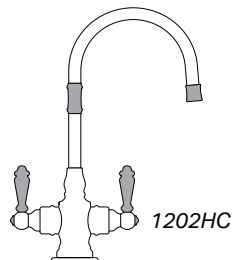
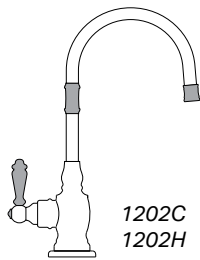
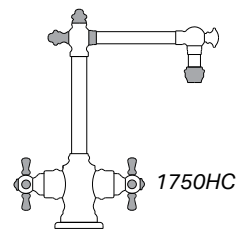
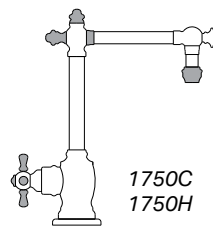
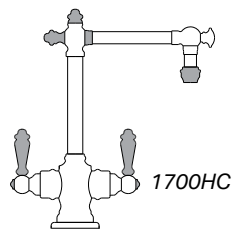
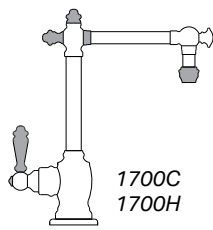
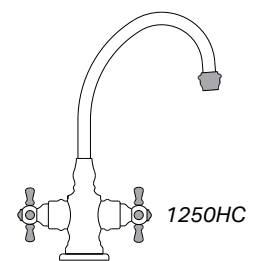
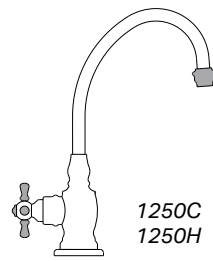
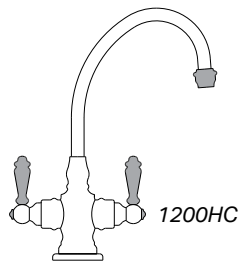
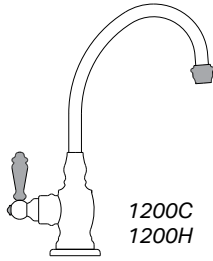
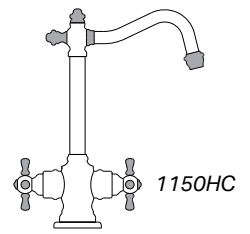
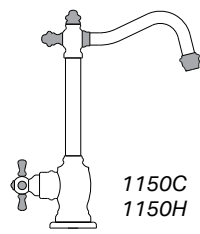
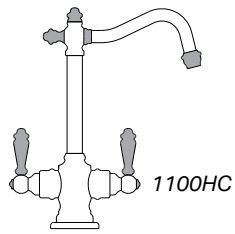
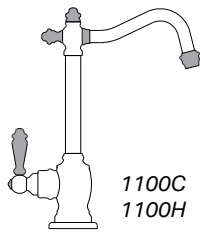
1625
1655



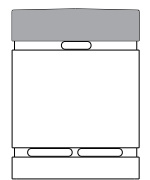
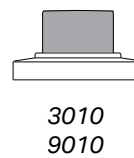
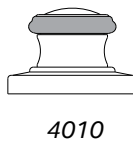
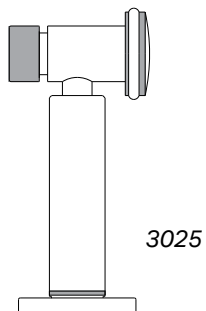
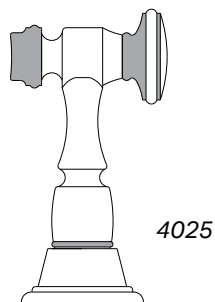
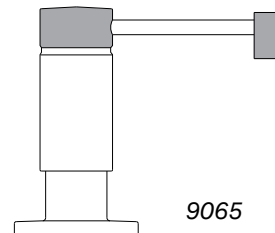
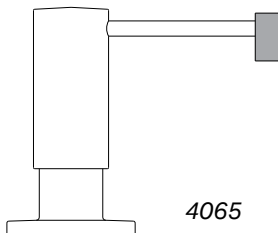
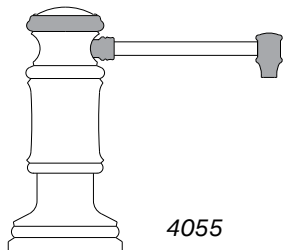
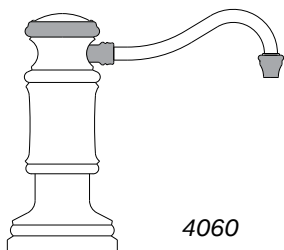
2500

FILTRATION FAUCETS

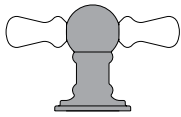
□ White = Primary finish
 ■ Gray = Accent finish



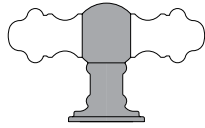
ACCESSORIES



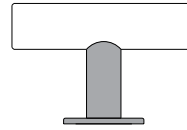
HARDWARE



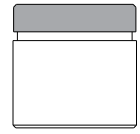
HTK-006



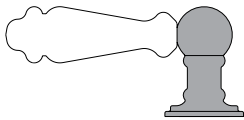
HTK-007



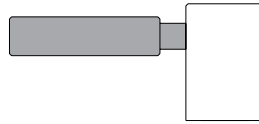
HCK-103
HMK-103



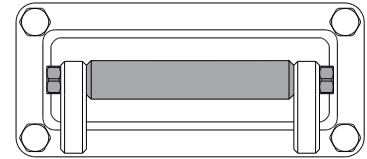
HIK-201
HIK-202



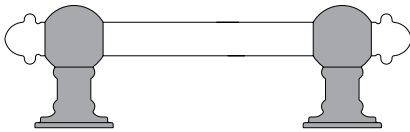
HTK-005



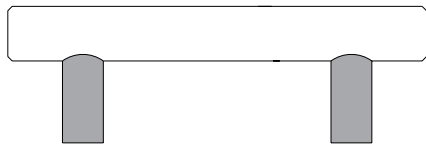
HCK-102
HMK-102



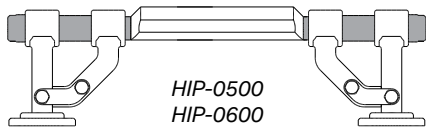
HIP-200
HIP-300
HIP-400



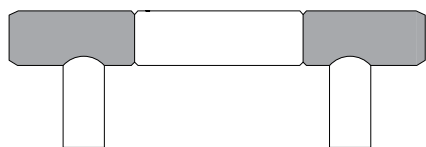
HTP-0300
HTP-0350
HTP-0400
HTP-0500
HTP-0600
HTP-0800
HTP-1200
HTP-1201



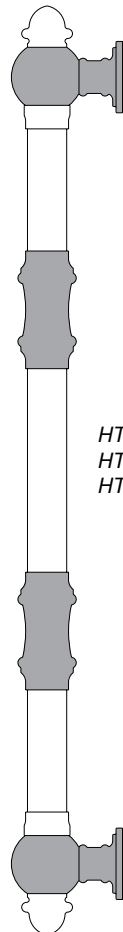
HCP-0300
HCP-0350
HCP-0400
HCP-0500
HCP-0600
HCP-0800
HCP-1200



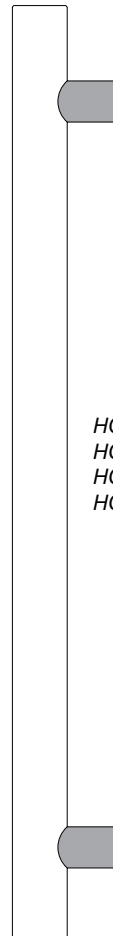
HIP-0500
HIP-0600
HIP-0800
HIP-1200



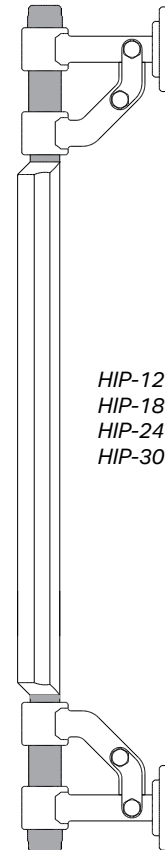
HMP-0300
HMP-0350
HMP-0400
HMP-0500
HMP-0600
HMP-0800
HMP-1200



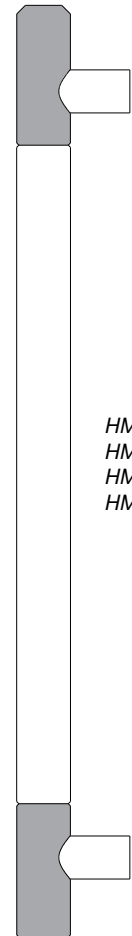
HTP-1800
HTP-2400
HTP-3000



HCP-1201
HCP-1800
HCP-2400
HCP-3000



HIP-1201
HIP-1800
HIP-2400
HIP-3000



HMP-1201
HMP-1800
HMP-2400
HMP-3000

PRICING BY MODEL



MODEL	NAME	GRP 1	GRP 2	GRP 3	SS	SPEC PG.
1000	ULTIMATE UNDER SINK SYSTEM	1225				213
1100C	ANNAPOLIS COLD ONLY FILTRATION FAUCET - LEVER HANDLE	805	843	1100	N/A	181
1100H	ANNAPOLIS HOT ONLY FILTRATION FAUCET - LEVER HANDLE	836	878	1143	N/A	181
1100HC	ANNAPOLIS HOT AND COLD FILTRATION FAUCET - LEVER HANDLES	939	987	1285	N/A	181
1150C	ANNAPOLIS COLD ONLY FILTRATION FAUCET - CROSS HANDLE	843	885	1153	N/A	182
1150H	ANNAPOLIS HOT ONLY FILTRATION FAUCET - CROSS HANDLE	868	912	1187	N/A	182
1150HC	ANNAPOLIS HOT AND COLD FILTRATION FAUCET - CROSS HANDLES	974	1023	1332	N/A	182
1200C	HAMPTON COLD ONLY FILTRATION FAUCET - LEVER HANDLE	728	764	996	N/A	183
1200H	HAMPTON HOT ONLY FILTRATION FAUCET - LEVER HANDLE	778	817	1065	N/A	183
1200HC	HAMPTON HOT AND COLD FILTRATION FAUCET - LEVER HANDLES	881	926	1205	N/A	183
1202C	PEMBROKE COLD ONLY FILTRATION FAUCET - LEVER HANDLE	808	849	1104	N/A	185
1202H	PEMBROKE HOT ONLY FILTRATION FAUCET - LEVER HANDLE	877	921	1200	N/A	185
1202HC	PEMBROKE HOT AND COLD FILTRATION FAUCET - LEVER HANDLES	985	1036	1349	N/A	185
1250C	HAMPTON COLD ONLY FILTRATION FAUCET - CROSS HANDLE	763	800	1043	N/A	184
1250H	HAMPTON HOT ONLY FILTRATION FAUCET - CROSS HANDLE	810	851	1108	N/A	184
1250HC	HAMPTON HOT AND COLD FILTRATION FAUCET - CROSS HANDLES	913	959	1249	N/A	184
1252C	PEMBROKE COLD ONLY FILTRATION FAUCET - CROSS HANDLE	838	881	1148	N/A	186
1252H	PEMBROKE HOT ONLY FILTRATION FAUCET - CROSS HANDLE	902	948	1235	N/A	186
1252HC	PEMBROKE HOT AND COLD FILTRATION FAUCET - CROSS HANDLES	1015	1067	1390	N/A	186
1300	ANNAPOLIS BAR FAUCET - LEVER HANDLES	1102	1158	1509	N/A	173
1350	ANNAPOLIS BAR FAUCET - CROSS HANDLES	1136	1193	1553	N/A	173
1400C	PARCHE COLD ONLY FILTRATION FAUCET - LEVER HANDLE	698	733	955	980	189
1400H	PARCHE HOT ONLY FILTRATION FAUCET - LEVER HANDLE	764	803	1044	1073	189
1400HC	PARCHE HOT AND COLD FILTRATION FAUCET - LEVER HANDLES	828	870	1135	1164	189
1425C	FULTON COLD ONLY FILTRATION FAUCET - LEVER HANDLE	746	782	1020	1048	190
1425H	FULTON HOT ONLY FILTRATION FAUCET - LEVER HANDLE	810	851	1108	1138	190
1425HC	FULTON HOT AND COLD FILTRATION FAUCET - LEVER HANDLES	875	919	1198	1230	190
1450C	INDUSTRIAL COLD ONLY FILTRATION FAUCET - C-SPOUT	752	791	1031	1058	192
1450H	INDUSTRIAL HOT ONLY FILTRATION FAUCET - C-SPOUT	824	866	1127	1158	192
1450HC	INDUSTRIAL HOT AND COLD FILTRATION FAUCET - C-SPOUT	895	938	1224	1257	192
1455C	INDUSTRIAL COLD ONLY FILTRATION FAUCET - 2 BEND U-SPOUT	805	843	1100	1130	193
1455H	INDUSTRIAL HOT ONLY FILTRATION FAUCET - 2 BEND U-SPOUT	883	927	1207	1240	193
1455HC	INDUSTRIAL HOT AND COLD FILTRATION FAUCET - 2 BEND U-SPOUT	954	1003	1307	1342	193
1500	HAMPTON BAR FAUCET - LEVER HANDLES	983	1034	1346	N/A	173
1502	PEMBROKE BAR FAUCET - LEVER HANDLES	1027	1080	1405	N/A	174
1550	HAMPTON BAR FAUCET - CROSS HANDLES	1039	1091	1421	N/A	174
1552	PEMBROKE BAR FAUCET - CROSS HANDLES	1073	1128	1469	N/A	174

FINISH GROUP 1: CH

FINISH GROUP 2: BLN, CHB, CLZ, GR, MB, MW, PB, PN, SB, SC, SN, UPB

FINISH GROUP 3: AB, ABZ, AC, AMB, AP, CB, DAB, DAC, DAMB, DAP, MAB, MAC, MAP, ORB, PC, TB

PRECIOUS METALS: PG, SG - 30% increase from Group 3*

STAINLESS STEEL: SS

SPLIT FINISHES: SEE PAGE 32

*Pricing subject to change

MODEL	NAME	GRP 1	GRP 2	GRP 3	SS	SPEC PG.
1600	PARCHE BAR FAUCET	977	1025	1336	1372	176
1625	FULTON BAR FAUCET	989	1039	1353	1391	176
1650	INDUSTRIAL BAR FAUCET - C-SPOUT	1073	1128	1469	1510	177
1655	INDUSTRIAL BAR FAUCET - 2 BEND U-SPOUT	1087	1142	1487	1527	177
1700C	TOWSON COLD ONLY FILTRATION FAUCET - LEVER HANDLE	1015	1067	1390	N/A	187
1700H	TOWSON HOT ONLY FILTRATION FAUCET - LEVER HANDLE	1080	1133	1477	N/A	187
1700HC	TOWSON HOT AND COLD FILTRATION FAUCET - LEVER HANDLES	1197	1257	1637	N/A	187
1750C	TOWSON COLD ONLY FILTRATION FAUCET - CROSS HANDLE	1043	1097	1429	N/A	188
1750H	TOWSON HOT ONLY FILTRATION FAUCET - CROSS HANDLE	1006	1055	1374	N/A	188
1750HC	TOWSON HOT AND COLD FILTRATION FAUCET - CROSS HANDLES	1287	1352	1762	N/A	188
1800	TOWSON BAR FAUCET - LEVER HANDLES	1296	1360	1773	N/A	175
1850	TOWSON BAR FAUCET - CROSS HANDLES	1367	1436	1871	N/A	175
1900C	HUNLEY COLD ONLY FILTRATION FAUCET - LEVER HANDLES	993	1042	1358	1395	191
1900H	HUNLEY HOT ONLY FILTRATION FAUCET - LEVER HANDLES	1052	1103	1438	1477	191
1900HC	HUNLEY HOT AND COLD FILTRATION FAUCET - LEVER HANDLES	1115	1171	1526	1567	191
2000	INSTA-HOT UNDER SINK SYSTEM	814				213
2100	TRADITIONAL RO FILTRATION AIR GAP	385	404	527	N/A	202
2200	CONTEMPORARY RO FILTRATION AIR GAP	366	385	500	515	202
2500	HUNLEY BAR FAUCET	1314	1380	1797	1846	176
3000	FILTRATION UNDER SINK SYSTEM	601				213
3010	CONTEMPORARY AIR SWITCH	449	472	615	632	203
3020	CONTEMPORARY SINGLE PORT AIR GAP	285	299	389	400	200
3025	CONTEMPORARY SIDE SPRAY	717	753	982	1008	208
3030	CONTEMPORARY DUAL PORT AIR GAP	341	358	466	480	201
3080	CONTEMPORARY HOLE COVER	140	147	193	196	209
3100	TRADITIONAL WALL MOUNTED POTFILLER - LEVER HANDLE	2009	2110	2750	N/A	195
3150	TRADITIONAL WALL MOUNTED POTFILLER - CROSS HANDLE	1920	2016	2625	N/A	195
3200	CONTEMPORARY WALL MOUNTED POTFILLER	1869	1962	2557	2626	196
3250	INDUSTRIAL WALL MOUNTED POTFILLER	1927	2023	2638	2708	196
3300	TRADITIONAL COUNTER MOUNTED POTFILLER - LEVER HANDLE	1998	2097	2733	N/A	197
3350	TRADITIONAL COUNTER MOUNTED POTFILLER - CROSS HANDLE	2128	2235	2912	N/A	197
3400	CONTEMPORARY COUNTER MOUNTED POTFILLER	1998	2097	2733	2807	197
3500	HUNLEY PREP FAUCET	1788	1877	2445	2512	169
3500-1	HUNLEY PREP FAUCET W/ SIDE SPRAY	2505	2630	3427	3519	169
3500-2	HUNLEY PREP FAUCET - 2PC. SUITE	2982	3131	4080	4189	169
3500-3	HUNLEY PREP FAUCET - 3PC. SUITE	3431	3602	4695	4821	169
3500-4	HUNLEY PREP FAUCET - 4PC. SUITE	3716	3900	5084	5220	169

FINISH GROUP 1: CH

FINISH GROUP 2: BLN, CHB, CLZ, GR, MB, MW, PB, PN, SB, SC, SN, UPB

FINISH GROUP 3: AB, ABZ, AC, AMB, AP, CB, DAB, DAC, DAMB, DAP, MAB, MAC, MAP, ORB, PC, TB

PRECIOUS METALS: PG, SG - 30% increase from Group 3*

STAINLESS STEEL: SS

SPLIT FINISHES: SEE PAGE 32

**Pricing subject to change*

PRICING BY MODEL



MODEL	NAME	GRP 1	GRP 2	GRP 3	SS	SPEC PG.
3600-12	HUNLEY KITCHEN FAUCET - 12" ARTICULATED SPOUT	2121	2226	2901	2979	160
3600-12-1	HUNLEY KITCHEN FAUCET - 12" ARTICULATED SPOUT W/ SIDE SPRAY	2838	2979	3883	3987	160
3600-12-2	HUNLEY KITCHEN FAUCET - 12" ARTICULATED SPOUT - 2PC. SUITE	3315	3480	4536	4657	160
3600-12-3	HUNLEY KITCHEN FAUCET - 12" ARTICULATED SPOUT - 3PC. SUITE	3764	3952	5151	5289	160
3600-12-4	HUNLEY KITCHEN FAUCET - 12" ARTICULATED SPOUT - 4PC. SUITE	4049	4251	5540	5689	160
3600-18	HUNLEY KITCHEN FAUCET - 18" ARTICULATED SPOUT	2249	2360	3077	3160	161
3600-18-1	HUNLEY KITCHEN FAUCET - 18" ARTICULATED SPOUT W/ SIDE SPRAY	2966	3113	4059	4168	161
3600-18-2	HUNLEY KITCHEN FAUCET - 18" ARTICULATED SPOUT - 2PC. SUITE	3443	3614	4712	4838	161
3600-18-3	HUNLEY KITCHEN FAUCET - 18" ARTICULATED SPOUT - 3PC. SUITE	3892	4086	5327	5470	161
3600-18-4	HUNLEY KITCHEN FAUCET - 18" ARTICULATED SPOUT - 4PC. SUITE	4177	4385	5716	5870	161
3700	CONTEMPORARY GANTRY PULLDOWN FAUCET - STRAIGHT SPOUT	6257	6569	8559	8792	133
3700-2	CONTEMPORARY GANTRY PULLDOWN FAUCET - 2PC. SUITE	6734	7070	9212	9462	133
3700-3	CONTEMPORARY GANTRY PULLDOWN FAUCET - 3PC. SUITE	7183	7541	9827	10094	133
3700-4	CONTEMPORARY GANTRY PULLDOWN FAUCET - 4PC. SUITE	7468	7841	10216	10494	133
3710-12	CONTEMPORARY GANTRY PULLDOWN FAUCET - 12" ARTICULATED SPOUT	6647	6980	9095	9342	134
3710-12-2	CONTEMPORARY GANTRY PULLDOWN FAUCET - 2PC. SUITE	7124	7481	9748	10012	134
3710-12-3	CONTEMPORARY GANTRY PULLDOWN FAUCET - 3PC. SUITE	7573	7953	10363	10644	134
3710-12-4	CONTEMPORARY GANTRY PULLDOWN FAUCET - 4PC. SUITE	7858	8252	10752	11044	134
3710-18	CONTEMPORARY GANTRY PULLDOWN FAUCET - 18" ARTICULATED SPOUT	6825	7166	9336	9590	135
3710-18-2	CONTEMPORARY GANTRY PULLDOWN FAUCET - 2PC. SUITE	7302	7667	9989	10260	135
3710-18-3	CONTEMPORARY GANTRY PULLDOWN FAUCET - 3PC. SUITE	7751	8139	10604	10892	135
3710-18-4	CONTEMPORARY GANTRY PULLDOWN FAUCET - 4PC. SUITE	8036	8438	10993	11292	135
3783	CONTEMPORARY 6" ESCUTCHEON PLATE	274	288	375	385	210
3784	CONTEMPORARY 10" ESCUTCHEON PLATE	330	346	450	463	210
3800	PARCHE KITCHEN FAUCET	1793	1882	2453	2520	162
3800-1	PARCHE KITCHEN FAUCET W/ SIDE SPRAY	2510	2635	3435	3528	162
3800-2	PARCHE KITCHEN FAUCET - 2PC. SUITE	2987	3136	4088	4198	162
3800-3	PARCHE KITCHEN FAUCET - 3PC. SUITE	3436	3608	4703	4830	162
3800-4	PARCHE KITCHEN FAUCET - 4PC. SUITE	3721	3907	5092	5230	162
3825	FULTON KITCHEN FAUCET	1858	1951	2541	2611	163
3825-1	FULTON KITCHEN FAUCET W/ SIDE SPRAY	2575	2704	3523	3619	163
3825-2	FULTON KITCHEN FAUCET - 2PC. SUITE	3052	3205	4176	4289	163
3825-3	FULTON KITCHEN FAUCET - 3PC. SUITE	3501	3677	4791	4921	163
3825-4	FULTON KITCHEN FAUCET - 4PC. SUITE	3786	3976	5180	5321	163
3900	PARCHE PREP FAUCET	1665	1748	2278	2340	170

FINISH GROUP 1: CH
FINISH GROUP 2: BLN, CHB, CLZ, GR, MB, MW, PB, PN, SB, SC, SN, UPB
FINISH GROUP 3: AB, ABZ, AC, AMB, AP, CB, DAB, DAC, DAMB, DAP, MAB, MAC, MAP, ORB, PC, TB

PRECIOUS METALS: PG, SG - 30% increase from Group 3*
STAINLESS STEEL: SS
SPLIT FINISHES: SEE PAGE 32

MODEL	NAME	GRP 1	GRP 2	GRP 3	SS	SPEC PG.
3900-1	PARCHE PREP FAUCET W/ SIDE SPRAY	2382	2501	3260	3348	170
3900-2	PARCHE PREP FAUCET - 2PC. SUITE	2859	3002	3913	4018	170
3900-3	PARCHE PREP FAUCET - 3PC. SUITE	3308	3474	4528	4650	170
3900-4	PARCHE PREP FAUCET - 4PC. SUITE	3593	3773	4917	5050	170
3925	FULTON PREP FAUCET	1729	1816	2366	2430	171
3925-1	FULTON PREP FAUCET W/ SIDE SPRAY	2446	2569	3348	3438	171
3925-2	FULTON PREP FAUCET - 2PC. SUITE	2923	3070	4001	4108	171
3925-3	FULTON PREP FAUCET - 3PC. SUITE	3372	3542	4616	4740	171
3925-4	FULTON PREP FAUCET - 4PC. SUITE	3657	3841	5005	5140	171
4010	TRADITIONAL AIR SWITCH	496	522	680	N/A	203
4020	TRADITIONAL SINGLE PORT AIR GAP	316	331	431	N/A	200
4025	TRADITIONAL SIDE SPRAY	717	753	982	N/A	208
4030	TRADITIONAL DUAL PORT AIR GAP	340	357	465	N/A	201
4055	TRADITIONAL SOAP/LOTION DISPENSER - STRAIGHT SPOUT	564	592	771	N/A	204
4055E	TRADITIONAL SOAP/LOTION DISPENSER - EXT. STRAIGHT SPOUT	592	622	810	N/A	204
4060	TRADITIONAL SOAP/LOTION DISPENSER - HOOK SPOUT	564	592	771	N/A	205
4060E	TRADITIONAL SOAP/LOTION DISPENSER - EXTENDED HOOK SPOUT	592	622	810	N/A	205
4065	CONTEMPORARY SOAP/LOTION DISPENSER	477	501	653	670	206
4065E	CONTEMPORARY SOAP/LOTION DISPENSER - EXTENDED SPOUT	501	526	686	704	206
4070	TRADITIONAL DECORATIVE HOLE COVER - COMPASS BUTTON	124	129	168	N/A	209
4080	TRADITIONAL DECORATIVE HOLE COVER - FINISH BUTTON	129	136	178	N/A	209
4100-12	TOWSON KITCHEN FAUCET - 12" ARTICULATED SPOUT	2068	2172	2832	N/A	152
4100-12-1	TOWSON KITCHEN FAUCET - 12" ARTICULATED SPOUT W/ SIDE SPRAY	2785	2925	3814	N/A	152
4100-12-2	TOWSON KITCHEN FAUCET - 12" ARTICULATED SPOUT - 2PC. SUITE	3349	3517	4585	N/A	152
4100-12-3	TOWSON KITCHEN FAUCET - 12" ARTICULATED SPOUT - 3PC. SUITE	3845	4039	5265	N/A	152
4100-12-4	TOWSON KITCHEN FAUCET - 12" ARTICULATED SPOUT - 4PC. SUITE	4161	4370	5696	N/A	152
4100-18	TOWSON KITCHEN FAUCET - 18" ARTICULATED SPOUT	2191	2301	2999	N/A	153
4100-18-1	TOWSON KITCHEN FAUCET - 18" ARTICULATED SPOUT W/ SIDE SPRAY	2908	3054	3981	N/A	153
4100-18-2	TOWSON KITCHEN FAUCET - 18" ARTICULATED SPOUT - 2PC. SUITE	3472	3646	4752	N/A	153
4100-18-3	TOWSON KITCHEN FAUCET - 18" ARTICULATED SPOUT - 3PC. SUITE	3968	4168	5432	N/A	153
4100-18-4	TOWSON KITCHEN FAUCET - 18" ARTICULATED SPOUT - 4PC. SUITE	4284	4499	5863	N/A	153
4200	ANNAPOLIS KITCHEN FAUCET	1863	1956	2550	N/A	154
4200-1	ANNAPOLIS KITCHEN FAUCET W/ SIDE SPRAY	2580	2709	3532	N/A	154
4200-2	ANNAPOLIS KITCHEN FAUCET - 2PC. SUITE	3144	3301	4303	N/A	154
4200-3	ANNAPOLIS KITCHEN FAUCET - 3PC. SUITE	3640	3823	4983	N/A	154
4200-4	ANNAPOLIS KITCHEN FAUCET - 4PC. SUITE	3956	4154	5414	N/A	154
4300	HAMPTON KITCHEN FAUCET	1832	1923	2506	N/A	155

FINISH GROUP 1: CH

FINISH GROUP 2: BLN, CHB, CLZ, GR, MB, MW, PB, PN, SB, SC, SN, UPB

FINISH GROUP 3: AB, ABZ, AC, AMB, AP, CB, DAB, DAC, DAMB, DAP, MAB, MAC, MAP, ORB, PC, TB

PRECIOUS METALS: PG, SG - 30% increase from Group 3*

STAINLESS STEEL: SS

SPLIT FINISHES: SEE PAGE 32

**Pricing subject to change*

PRICING BY MODEL



MODEL	NAME	GRP 1	GRP 2	GRP 3	SS	SPEC PG.
4300-1	HAMPTON KITCHEN FAUCET W/ SIDE SPRAY	2549	2676	3488	N/A	155
4300-2	HAMPTON KITCHEN FAUCET - 2PC. SUITE	3113	3268	4259	N/A	155
4300-3	HAMPTON KITCHEN FAUCET - 3PC. SUITE	3559	3790	4939	N/A	155
4300-4	HAMPTON KITCHEN FAUCET - 4PC. SUITE	3875	4121	5370	N/A	155
4400	TRADITIONAL GANTRY PULLDOWN FAUCET - HOOK SPOUT	5511	5786	7539	N/A	130
4400-2	TRADITIONAL GANTRY PULLDOWN FAUCET - 2PC. SUITE	6075	6378	8310	N/A	130
4400-3	TRADITIONAL GANTRY PULLDOWN FAUCET - 3PC. SUITE	6571	6900	8990	N/A	130
4400-4	TRADITIONAL GANTRY PULLDOWN FAUCET - 4PC. SUITE	6887	7231	9421	N/A	130
4410-12	TRADITIONAL GANTRY PULLDOWN FAUCET - 12" ARTICULATED SPOUT	6345	6662	8681	N/A	131
4410-12-2	TRADITIONAL GANTRY PULLDOWN FAUCET - 2PC. SUITE	6909	7254	9452	N/A	131
4410-12-3	TRADITIONAL GANTRY PULLDOWN FAUCET - 3PC. SUITE	7405	7776	10132	N/A	131
4410-12-4	TRADITIONAL GANTRY PULLDOWN FAUCET - 4PC. SUITE	7721	8107	10563	N/A	131
4410-18	TRADITIONAL GANTRY PULLDOWN FAUCET - 18" ARTICULATED SPOUT	6522	6849	8924	N/A	132
4410-18-2	TRADITIONAL GANTRY PULLDOWN FAUCET - 2PC. SUITE	7086	7441	9695	N/A	132
4410-18-3	TRADITIONAL GANTRY PULLDOWN FAUCET - 3PC. SUITE	7582	7963	10375	N/A	132
4410-18-4	TRADITIONAL GANTRY PULLDOWN FAUCET - 4PC. SUITE	7898	8294	10806	N/A	132
4500	PRV - PRESSURE REGULATOR VALVE	161				214
4700	TOWSON PREP FAUCET	1825	1916	2497	N/A	166
4700-1	TOWSON PREP FAUCET W/ SIDE SPRAY	2542	2669	3479	N/A	166
4700-2	TOWSON PREP FAUCET - 2PC. SUITE	3106	3261	4250	N/A	166
4700-3	TOWSON PREP FAUCET - 3PC. SUITE	3602	3783	4930	N/A	166
4700-4	TOWSON PREP FAUCET - 4PC. SUITE	3918	4114	5361	N/A	166
4783	TRADITIONAL 6" ESCUTCHEON PLATE	293	308	401	N/A	209
4784	TRADITIONAL 10" ESCUTCHEON PLATE	361	378	493	N/A	209
4800	ANNAPOLIS PREP FAUCET	1793	1882	2453	N/A	167
4800-1	ANNAPOLIS PREP FAUCET W/ SIDE SPRAY	2510	2635	3435	N/A	167
4800-2	ANNAPOLIS PREP FAUCET - 2PC. SUITE	3074	3227	4206	N/A	167
4800-3	ANNAPOLIS PREP FAUCET - 3PC. SUITE	3570	3749	4886	N/A	167
4800-4	ANNAPOLIS PREP FAUCET - 4PC. SUITE	3886	4080	5317	N/A	167
4900	HAMPTON PREP FAUCET	1729	1816	2366	N/A	168
4900-1	HAMPTON PREP FAUCET W/ SIDE SPRAY	2446	2569	3348	N/A	168
4900-2	HAMPTON PREP FAUCET - 2PC. SUITE	3010	3161	4119	N/A	168
4900-3	HAMPTON PREP FAUCET - 3PC. SUITE	3506	3683	4799	N/A	168
4900-4	HAMPTON PREP FAUCET - 4PC. SUITE	3822	4014	5230	N/A	168
5000	HOT TANK	684				212
5100	TRADITIONAL WHEEL PULLDOWN FAUCET	6863	7206	9390	N/A	59
5100-2	TRADITIONAL WHEEL PULLDOWN FAUCET - 2PC. SUITE	7427	7798	10161	N/A	59

FINISH GROUP 1: CH

FINISH GROUP 2: BLN, CHB, CLZ, GR, MB, MW, PB, PN, SB, SC, SN, UPB

FINISH GROUP 3: AB, ABZ, AC, AMB, AP, CB, DAB, DAC, DAMB, DAP, MAB, MAC, MAP, ORB, PC, TB

PRECIOUS METALS: PG, SG - 30% increase from Group 3*

STAINLESS STEEL: SS

SPLIT FINISHES: SEE PAGE 32

*Pricing subject to change

MODEL	NAME	GRP 1	GRP 2	GRP 3	SS	SPEC PG.
5100-3	TRADITIONAL WHEEL PULLDOWN FAUCET - 3PC. SUITE	7923	8320	10841	N/A	59
5100-4	TRADITIONAL WHEEL PULLDOWN FAUCET - 4PC. SUITE	8239	8651	11272	N/A	59
5125	ENDEAVOR WHEEL PULLDOWN FAUCET - TOGGLE SPRAYER	7872	8266	10770	N/A	60
5125-2	ENDEAVOR WHEEL PULLDOWN FAUCET - TOGGLE SPRAYER - 2PC. SUITE	8349	8767	11423	N/A	60
5125-3	ENDEAVOR WHEEL PULLDOWN FAUCET - TOGGLE SPRAYER - 3PC. SUITE	8798	9239	12038	N/A	60
5125-4	ENDEAVOR WHEEL PULLDOWN FAUCET - TOGGLE SPRAYER - 4PC. SUITE	9083	9538	12427	N/A	60
5130	ENDEAVOR WHEEL PULLDOWN FAUCET - LEVER SPRAYER	8056	8459	11023	N/A	61
5130-2	ENDEAVOR WHEEL PULLDOWN FAUCET - LEVER SPRAYER - 2PC. SUITE	8533	8960	11676	N/A	61
5130-3	ENDEAVOR WHEEL PULLDOWN FAUCET - LEVER SPRAYER - 3PC. SUITE	8982	9432	12291	N/A	61
5130-4	ENDEAVOR WHEEL PULLDOWN FAUCET - LEVER SPRAYER - 4PC. SUITE	9267	9731	12680	N/A	61
5200	TRADITIONAL PREP SIZE PLP PULLDOWN FAUCET	2653	2784	3628	N/A	66
5200-2	TRADITIONAL PREP SIZE PLP PULLDOWN FAUCET - 2PC. SUITE	3217	3376	4399	N/A	66
5200-3	TRADITIONAL PREP SIZE PLP PULLDOWN FAUCET - 3PC. SUITE	3713	3898	5079	N/A	66
5200-4	TRADITIONAL PREP SIZE PLP PULLDOWN FAUCET - 4PC. SUITE	4029	4229	5510	N/A	66
5210	TRADITIONAL PREP SIZE PLP PULLDOWN FAUCET - ANGLED SPOUT	2730	2865	3734	N/A	67
5210-2	TRADITIONAL PREP SIZE PLP PULLDOWN FAUCET - 2PC. SUITE	3294	3457	4505	N/A	67
5210-3	TRADITIONAL PREP SIZE PLP PULLDOWN FAUCET - 3PC. SUITE	3740	3979	5185	N/A	67
5210-4	TRADITIONAL PREP SIZE PLP PULLDOWN FAUCET - 4PC. SUITE	4056	4310	5616	N/A	67
5300	CONTEMPORARY EXT. REACH PLP PULLDOWN FAUCET - TOGGLE SPRAYER	2947	3093	4032	4140	70
5300-2	CONTEMPORARY EXTENDED REACH PLP PULLDOWN FAUCET - 2PC. SUITE	3424	3594	4685	4810	70
5300-3	CONTEMPORARY EXTENDED REACH PLP PULLDOWN FAUCET - 3PC. SUITE	3873	4066	5300	5442	70
5300-4	CONTEMPORARY EXTENDED REACH PLP PULLDOWN FAUCET - 4PC. SUITE	4158	4365	5689	5842	70
5400	CONTEMPORARY PLP PULLDOWN FAUCET - TOGGLE SPRAYER	2657	2789	3636	3733	72
5400-2	CONTEMPORARY PLP PULLDOWN FAUCET - TOGGLE SPRAYER - 2PC. SUITE	3134	3290	4289	4403	72
5400-3	CONTEMPORARY PLP PULLDOWN FAUCET - TOGGLE SPRAYER - 3PC. SUITE	3583	3762	4904	5035	72
5400-4	CONTEMPORARY PLP PULLDOWN FAUCET - TOGGLE SPRAYER - 4PC. SUITE	3868	4061	5293	5435	72
5410	CONTEMPORARY PLP PULLDOWN FAUCET - ANGLED SPOUT - TOGGLE SPRAYER	2734	2871	3741	3842	74
5410-2	CONTEMPORARY PLP PULLDOWN FAUCET - 2PC. SUITE	3211	3372	4394	4512	74
5410-3	CONTEMPORARY PLP PULLDOWN FAUCET - 3PC. SUITE	3660	3844	5009	5144	74

FINISH GROUP 1: CH

FINISH GROUP 2: BLN, CHB, CLZ, GR, MB, MW, PB, PN, SB, SC, SN, UPB

FINISH GROUP 3: AB, ABZ, AC, AMB, AP, CB, DAB, DAC, DAMB, DAP, MAB, MAC, MAP, ORB, PC, TB

PRECIOUS METALS: PG, SG - 30% increase from Group 3*

STAINLESS STEEL: SS

SPLIT FINISHES: SEE PAGE 32

**Pricing subject to change*

PRICING BY MODEL



MODEL	NAME	GRP 1	GRP 2	GRP 3	SS	SPEC PG.
5410-4	CONTEMPORARY PLP PULLDOWN FAUCET - 4PC. SUITE	3945	4143	5398	5544	74
5500	TRADITIONAL EXTENDED REACH PLP PULLDOWN FAUCET	2902	3046	3970	N/A	63
5500-2	TRADITIONAL EXTENDED REACH PLP PULLDOWN FAUCET - 2PC. SUITE	3466	3638	4741	N/A	63
5500-3	TRADITIONAL EXTENDED REACH PLP PULLDOWN FAUCET - 3PC. SUITE	3912	4160	5421	N/A	63
5500-4	TRADITIONAL EXTENDED REACH PLP PULLDOWN FAUCET - 4PC. SUITE	4228	4491	5852	N/A	63
5600	TRADITIONAL PLP PULLDOWN FAUCET	2758	2898	3775	N/A	64
5600-2	TRADITIONAL PLP PULLDOWN FAUCET - 2PC. SUITE	3322	3490	4546	N/A	64
5600-3	TRADITIONAL PLP PULLDOWN FAUCET - 3PC. SUITE	3768	4012	5226	N/A	64
5600-4	TRADITIONAL PLP PULLDOWN FAUCET - 4PC. SUITE	4084	4343	5657	N/A	64
5610	TRADITIONAL PLP PULLDOWN FAUCET - ANGLED SPOUT	2841	2982	3887	N/A	65
5610-2	TRADITIONAL PLP PULLDOWN FAUCET - ANGLED SPOUT - 2PC. SUITE	3405	3574	4658	N/A	65
5610-3	TRADITIONAL PLP PULLDOWN FAUCET - ANGLED SPOUT - 3PC. SUITE	3851	4096	5338	N/A	65
5610-4	TRADITIONAL PLP PULLDOWN FAUCET - ANGLED SPOUT - 4PC. SUITE	4167	4427	5769	N/A	65
5700	CONTEMPORARY EXT. REACH PLP PULLDOWN FAUCET - LEVER SPRAYER	3021	3171	4132	4245	71
5700-2	CONTEMPORARY EXTENDED REACH PLP PULLDOWN FAUCET - 2PC. SUITE	3498	3672	4785	4915	71
5700-3	CONTEMPORARY EXTENDED REACH PLP PULLDOWN FAUCET - 3PC. SUITE	3947	4144	5400	5547	71
5700-4	CONTEMPORARY EXTENDED REACH PLP PULLDOWN FAUCET - 4PC. SUITE	4232	4443	5789	5947	71
5800	CONTEMPORARY PLP PULLDOWN FAUCET - LEVER SPRAYER	2902	3046	3970	4077	73
5800-2	CONTEMPORARY PLP PULLDOWN FAUCET - LEVER SPRAYER - 2PC. SUITE	3379	3547	4623	4747	73
5800-3	CONTEMPORARY PLP PULLDOWN FAUCET - LEVER SPRAYER - 3PC. SUITE	3828	4019	5238	5379	73
5800-4	CONTEMPORARY PLP PULLDOWN FAUCET - LEVER SPRAYER - 4PC. SUITE	4113	4318	5627	5779	73
5810	CONTEMPORARY PLP PULLDOWN FAUCET - ANGLED SPOUT - LEVER SPRAYER	2991	3139	4092	4202	75
5810-2	CONTEMPORARY PLP PULLDOWN FAUCET - 2PC. SUITE	3468	3640	4745	4872	75
5810-3	CONTEMPORARY PLP PULLDOWN FAUCET - 3PC. SUITE	3917	4112	5360	5504	75
5810-4	CONTEMPORARY PLP PULLDOWN FAUCET - 4PC. SUITE	4202	4411	5749	5904	75
5900	CONTEMPORARY PREP SIZE PLP PULLDOWN FAUCET - TOGGLE SPRAYER	2644	2777	3619	3716	76
5900-2	CONTEMPORARY PREP SIZE PLP PULLDOWN FAUCET - 2PC. SUITE	3121	3278	4272	4386	76
5900-3	CONTEMPORARY PREP SIZE PLP PULLDOWN FAUCET - 3PC. SUITE	3570	3750	4887	5018	76

FINISH GROUP 1: CH
FINISH GROUP 2: BLN, CHB, CLZ, GR, MB, MW, PB, PN, SB, SC, SN, UPB
FINISH GROUP 3: AB, ABZ, AC, AMB, AP, CB, DAB, DAC, DAMB, DAP, MAB, MAC, MAP, ORB, PC, TB

PRECIOUS METALS: PG, SG - 30% increase from Group 3*
STAINLESS STEEL: SS
SPLIT FINISHES: SEE PAGE 32

MODEL	NAME	GRP 1	GRP 2	GRP 3	SS	SPEC PG.
5900-4	CONTEMPORARY PREP SIZE PLP PULLDOWN FAUCET - 4PC. SUITE	3855	4049	5276	5418	76
5910	CONTEMPORARY PREP SIZE PLP PULLDOWN FAUCET - ANGLED SPOUT - TOGGLE SPRAYER	2722	2859	3726	3826	78
5910-2	CONTEMPORARY PREP SIZE PLP PULLDOWN FAUCET - 2PC. SUITE	3199	3360	4379	4496	78
5910-3	CONTEMPORARY PREP SIZE PLP PULLDOWN FAUCET - 3PC. SUITE	3648	3832	4994	5128	78
5910-4	CONTEMPORARY PREP SIZE PLP PULLDOWN FAUCET - 4PC. SUITE	3933	4131	5383	5528	78
5930	CONTEMPORARY PREP SIZE PLP PULLDOWN FAUCET - LEVER SPRAYER	2789	2930	3817	3921	77
5930-2	CONTEMPORARY PREP SIZE PLP PULLDOWN FAUCET - 2PC. SUITE	3266	3431	4470	4591	77
5930-3	CONTEMPORARY PREP SIZE PLP PULLDOWN FAUCET - 3PC. SUITE	3715	3903	5085	5223	77
5930-4	CONTEMPORARY PREP SIZE PLP PULLDOWN FAUCET - 4PC. SUITE	4000	4202	5474	5623	77
5940	CONTEMPORARY PREP SIZE PLP PULLDOWN FAUCET - ANGLED SPOUT - LEVER SPRAYER	2874	3017	3933	4039	79
5940-2	CONTEMPORARY PREP SIZE PLP PULLDOWN FAUCET - 2PC. SUITE	3351	3518	4586	4709	79
5940-3	CONTEMPORARY PREP SIZE PLP PULLDOWN FAUCET - 3PC. SUITE	3800	3990	5201	5341	79
5940-4	CONTEMPORARY PREP SIZE PLP PULLDOWN FAUCET - 4PC. SUITE	4085	4289	5590	5741	79
6100-12	TOWSON BRIDGE FAUCET - 12" ARTICULATED SPOUT - LEVER HANDLES	3462	3635	4735	N/A	138
6100-12-1	TOWSON BRIDGE FAUCET W/ SIDE SPRAY	4177	4388	5717	N/A	138
6100-12-2	TOWSON BRIDGE FAUCET - 2PC. SUITE	4743	4980	6488	N/A	138
6100-12-3	TOWSON BRIDGE FAUCET - 3PC. SUITE	5239	5502	7168	N/A	138
6100-12-4	TOWSON BRIDGE FAUCET - 4PC. SUITE	5555	5833	7599	N/A	138
6100-18	TOWSON BRIDGE FAUCET - 18" ARTICULATED SPOUT - LEVER HANDLES	3598	3778	4924	N/A	139
6100-18-1	TOWSON BRIDGE FAUCET - 18" ARTICULATED SPOUT W/ SIDE SPRAY	4315	4471	5906	N/A	139
6100-18-2	TOWSON BRIDGE FAUCET - 18" ARTICULATED SPOUT - 2PC. SUITE	4879	5123	6677	N/A	139
6100-18-3	TOWSON BRIDGE FAUCET - 18" ARTICULATED SPOUT - 3PC. SUITE	5375	5645	7357	N/A	139
6100-18-4	TOWSON BRIDGE FAUCET - 18" ARTICULATED SPOUT - 4PC. SUITE	5691	5976	7788	N/A	139
6150-12	TOWSON BRIDGE FAUCET - 12" ARTICULATED SPOUT - CROSS HANDLES	3666	3850	5016	N/A	140
6150-12-1	TOWSON BRIDGE FAUCET - 12" ARTICULATED SPOUT W/ SIDE SPRAY	4383	4603	5998	N/A	140
6150-12-2	TOWSON BRIDGE FAUCET - 12" ARTICULATED SPOUT - 2PC. SUITE	4947	5195	6769	N/A	140
6150-12-3	TOWSON BRIDGE FAUCET - 12" ARTICULATED SPOUT - 3PC. SUITE	5443	5717	7449	N/A	140
6150-12-4	TOWSON BRIDGE FAUCET - 12" ARTICULATED SPOUT - 4PC. SUITE	5759	6048	7880	N/A	140
6150-18	TOWSON BRIDGE FAUCET - 18" ARTICULATED SPOUT - CROSS HANDLES	3804	3995	5206	N/A	141
6150-18-1	TOWSON BRIDGE FAUCET - 18" ARTICULATED SPOUT W/ SIDE SPRAY	4521	4748	6188	N/A	141
6150-18-2	TOWSON BRIDGE FAUCET - 18" ARTICULATED SPOUT - 2PC. SUITE	5085	5340	6959	N/A	141
6150-18-3	TOWSON BRIDGE FAUCET - 18" ARTICULATED SPOUT - 3PC. SUITE	5581	5862	7639	N/A	141
6150-18-4	TOWSON BRIDGE FAUCET - 18" ARTICULATED SPOUT - 4PC. SUITE	5897	6193	8070	N/A	141

FINISH GROUP 1: CH

FINISH GROUP 2: BLN, CHB, CLZ, GR, MB, MW, PB, PN, SB, SC, SN, UPB

FINISH GROUP 3: AB, ABZ, AC, AMB, AP, CB, DAB, DAC, DAMB, DAP, MAB, MAC, MAP, ORB, PC, TB

PRECIOUS METALS: PG, SG - 30% increase from Group 3*

STAINLESS STEEL: SS

SPLIT FINISHES: SEE PAGE 32

**Pricing subject to change*

PRICING BY MODEL



MODEL	NAME	GRP 1	GRP 2	GRP 3	SS	SPEC PG.
6200	ANNAPOLIS BRIDGE FAUCET - LEVER HANDLES	3284	3447	4492	N/A	142
6200-1	ANNAPOLIS BRIDGE FAUCET - LEVER HANDLES W/ SIDE SPRAY	4001	4200	5474	N/A	142
6200-2	ANNAPOLIS BRIDGE FAUCET - LEVER HANDLES - 2PC. SUITE	4565	4792	6245	N/A	142
6200-3	ANNAPOLIS BRIDGE FAUCET - LEVER HANDLES - 3PC. SUITE	5061	5314	6925	N/A	142
6200-4	ANNAPOLIS BRIDGE FAUCET - LEVER HANDLES - 4PC. SUITE	5377	5645	7356	N/A	142
6250	ANNAPOLIS BRIDGE FAUCET - CROSS HANDLES	3324	3490	4548	N/A	143
6250-1	ANNAPOLIS BRIDGE FAUCET - CROSS HANDLES W/ SIDE SPRAY	4041	4243	5530	N/A	143
6250-2	ANNAPOLIS BRIDGE FAUCET - CROSS HANDLES - 2PC. SUITE	4605	4835	6301	N/A	143
6250-3	ANNAPOLIS BRIDGE FAUCET - CROSS HANDLES - 3PC. SUITE	5101	5357	6981	N/A	143
6250-4	ANNAPOLIS BRIDGE FAUCET - CROSS HANDLES - 4PC. SUITE	5417	5688	7412	N/A	143
6300	HAMPTON BRIDGE FAUCET - LEVER HANDLES	2873	3017	3931	N/A	144
6300-1	HAMPTON BRIDGE FAUCET - LEVER HANDLES W/ SIDE SPRAY	3590	3770	4913	N/A	144
6300-2	HAMPTON BRIDGE FAUCET - LEVER HANDLES - 2PC. SUITE	4154	4362	5684	N/A	144
6300-3	HAMPTON BRIDGE FAUCET - LEVER HANDLES - 3PC. SUITE	4650	4884	6364	N/A	144
6300-4	HAMPTON BRIDGE FAUCET - LEVER HANDLES - 4PC. SUITE	4966	5215	6795	N/A	144
6350	HAMPTON BRIDGE FAUCET - CROSS HANDLES	3010	3160	4117	N/A	145
6350-1	HAMPTON BRIDGE FAUCET - CROSS HANDLES W/ SIDE SPRAY	3727	3913	5099	N/A	145
6350-2	HAMPTON BRIDGE FAUCET - CROSS HANDLES - 2PC. SUITE	4291	4505	5870	N/A	145
6350-3	HAMPTON BRIDGE FAUCET - CROSS HANDLES - 3PC. SUITE	4787	5027	6550	N/A	145
6350-4	HAMPTON BRIDGE FAUCET - CROSS HANDLES - 4PC. SUITE	5103	5358	6981	N/A	145
7000	DIGITAL HOT TANK	725				214
7600-12	HUNLEY BRIDGE FAUCET - 12" ARTICULATED SPOUT	3147	3305	4306	4422	146
7600-12-1	HUNLEY BRIDGE FAUCET - 12" ARTICULATED SPOUT W/ SIDE SPRAY	3864	4058	5288	5430	146
7600-12-2	HUNLEY BRIDGE FAUCET - 12" ARTICULATED SPOUT - 2PC. SUITE	4341	4559	5941	6100	146
7600-12-3	HUNLEY BRIDGE FAUCET - 12" ARTICULATED SPOUT - 3PC. SUITE	4790	5031	6556	6732	146
7600-12-4	HUNLEY BRIDGE FAUCET - 12" ARTICULATED SPOUT - 4PC. SUITE	5075	5330	6945	7132	146
7600-18	HUNLEY BRIDGE FAUCET - 18" ARTICULATED SPOUT	3420	3591	4680	4807	147
7600-18-1	HUNLEY BRIDGE FAUCET - 18" ARTICULATED SPOUT W/ SIDE SPRAY	4137	4344	5662	5815	147
7600-18-2	HUNLEY BRIDGE FAUCET - 18" ARTICULATED SPOUT - 2PC. SUITE	4614	4845	6315	6485	147
7600-18-3	HUNLEY BRIDGE FAUCET - 18" ARTICULATED SPOUT - 3PC. SUITE	5063	5317	6930	7117	147
7600-18-4	HUNLEY BRIDGE FAUCET - 18" ARTICULATED SPOUT - 4PC. SUITE	5348	5616	7319	7517	147
7800	PARCHE BRIDGE FAUCET	2600	2729	3556	3652	148
7800-1	PARCHE BRIDGE FAUCET W/ SIDE SPRAY	3317	3482	4538	4660	148
7800-2	PARCHE BRIDGE FAUCET - 2PC. SUITE	3794	3983	5191	5330	148
7800-3	PARCHE BRIDGE FAUCET - 3PC. SUITE	4243	4455	5806	5962	148
7800-4	PARCHE BRIDGE FAUCET - 4PC. SUITE	4528	4754	6195	6362	148
7825	FULTON BRIDGE FAUCET	2667	2800	3649	3748	149

FINISH GROUP 1: CH
FINISH GROUP 2: BLN, CHB, CLZ, GR, MB, MW, PB, PN, SB, SC, SN, UPB
FINISH GROUP 3: AB, ABZ, AC, AMB, AP, CB, DAB, DAC, DAMB, DAP, MAB, MAC, MAP, ORB, PC, TB

PRECIOUS METALS: PG, SG - 30% increase from Group 3*
STAINLESS STEEL: SS
SPLIT FINISHES: SEE PAGE 32

PRICING BY MODEL

MODEL	NAME	GRP 1	GRP 2	GRP 3	SS	SPEC PG.
7825-1	FULTON BRIDGE FAUCET W/ SIDE SPRAY	3384	3553	4631	4756	149
7825-2	FULTON BRIDGE FAUCET - 2PC. SUITE	3861	4054	5284	5426	149
7825-3	FULTON BRIDGE FAUCET - 3PC. SUITE	4310	4526	5899	6058	149
7825-4	FULTON BRIDGE FAUCET - 4PC. SUITE	4595	4825	6288	6458	149
8010-12	TOWSON TWO HANDLE KITCHEN FAUCET - 12" ARTICULATED SPOUT	2410	2529	3296	N/A	156
8010-12-1	TOWSON TWO HANDLE KITCHEN FAUCET W/ SIDE SPRAY	3127	3282	4278	N/A	156
8010-12-2	TOWSON TWO HANDLE KITCHEN FAUCET - 2PC. SUITE	3691	3874	5049	N/A	156
8010-12-3	TOWSON TWO HANDLE KITCHEN FAUCET - 3PC. SUITE	4187	4396	5729	N/A	156
8010-12-4	TOWSON TWO HANDLE KITCHEN FAUCET - 4PC. SUITE	4503	4727	6160	N/A	156
8010-18	TOWSON TWO HANDLE KITCHEN FAUCET - 18" ARTICULATED SPOUT	2561	2689	3505	N/A	157
8010-18-1	TOWSON TWO HANDLE KITCHEN FAUCET W/ SIDE SPRAY	3278	3442	4487	N/A	157
8010-18-2	TOWSON TWO HANDLE KITCHEN FAUCET - 2PC. SUITE	3842	4034	5258	N/A	157
8010-18-3	TOWSON TWO HANDLE KITCHEN FAUCET - 3PC. SUITE	4338	4556	5938	N/A	157
8010-18-4	TOWSON TWO HANDLE KITCHEN FAUCET - 4PC. SUITE	4654	4887	6369	N/A	157
8020	ANNAPOLIS TWO HANDLE KITCHEN FAUCET	1864	1958	2551	N/A	158
8020-1	ANNAPOLIS TWO HANDLE KITCHEN FAUCET W/ SIDE SPRAY	2581	2711	3533	N/A	158
8020-2	ANNAPOLIS TWO HANDLE KITCHEN FAUCET - 2PC. SUITE	3145	3303	4304	N/A	158
8020-3	ANNAPOLIS TWO HANDLE KITCHEN FAUCET - 3PC. SUITE	3641	3825	4984	N/A	158
8020-4	ANNAPOLIS TWO HANDLE KITCHEN FAUCET - 4PC. SUITE	3957	4156	5415	N/A	158
8030	HAMPTON TWO HANDLE KITCHEN FAUCET	1838	1930	2516	N/A	159
8030-1	HAMPTON TWO HANDLE KITCHEN FAUCET W/ SIDE SPRAY	2555	2683	3498	N/A	159
8030-2	HAMPTON TWO HANDLE KITCHEN FAUCET - 2PC. SUITE	3119	3275	4269	N/A	159
8030-3	HAMPTON TWO HANDLE KITCHEN FAUCET - 3PC. SUITE	3615	3797	4949	N/A	159
8030-4	HAMPTON TWO HANDLE KITCHEN FAUCET - 4PC. SUITE	3931	4128	5380	N/A	159
9010	INDUSTRIAL AIR SWITCH	453	476	620	636	203
9020	INDUSTRIAL SINGLE PORT AIR GAP	297	312	407	417	200
9030	INDUSTRIAL DUAL PORT AIR GAP	363	381	497	509	201
9065	INDUSTRIAL SOAP/LOTION DISPENSER	480	505	658	675	207
9065E	INDUSTRIAL SOAP/LOTION DISPENSER - EXTENDED SPOUT	504	530	691	709	207
9300	INDUSTRIAL EXTENDED REACH PLP PULLDOWN FAUCET - TOGGLE SPRAYER	2307	2422	3156	3242	82
9300-2	INDUSTRIAL EXTENDED REACH PLP PULLDOWN FAUCET - 2PC. SUITE	2787	2927	3814	3917	82
9300-3	INDUSTRIAL EXTENDED REACH PLP PULLDOWN FAUCET - 3PC. SUITE	3240	3403	4434	4553	82
9300-4	INDUSTRIAL EXTENDED REACH PLP PULLDOWN FAUCET - 4PC. SUITE	3537	3715	4841	4970	82
9350	MODERN EXTENDED REACH PLP PULLDOWN FAUCET - TOGGLE SPRAYER	2220	2330	3037	3120	94
9350-2	MODERN EXTENDED REACH PLP PULLDOWN FAUCET - 2PC. SUITE	2697	2831	3690	3790	94

FINISH GROUP 1: CH

FINISH GROUP 2: BLN, CHB, CLZ, GR, MB, MW, PB, PN, SB, SC, SN, UPB

FINISH GROUP 3: AB, ABZ, AC, AMB, AP, CB, DAB, DAC, DAMB, DAP, MAB, MAC, MAP, ORB, PC, TB

PRECIOUS METALS: PG, SG - 30% increase from Group 3*

STAINLESS STEEL: SS

SPLIT FINISHES: SEE PAGE 32

*Pricing subject to change

PRICING BY MODEL



MODEL	NAME	GRP 1	GRP 2	GRP 3	SS	SPEC PG.
9350-3	MODERN EXTENDED REACH PLP PULLDOWN FAUCET - 3PC. SUITE	3146	3303	4305	4422	94
9350-4	MODERN EXTENDED REACH PLP PULLDOWN FAUCET - 4PC. SUITE	3431	3602	4694	4822	94
9400	INDUSTRIAL PLP PULLDOWN FAUCET - TOGGLE SPRAYER	2068	2172	2830	2907	84
9400-2	INDUSTRIAL PLP PULLDOWN FAUCET - 2PC. SUITE	2548	2677	3488	3582	84
9400-3	INDUSTRIAL PLP PULLDOWN FAUCET - 3PC. SUITE	3001	3153	4108	4218	84
9400-4	INDUSTRIAL PLP PULLDOWN FAUCET - 4PC. SUITE	3298	3465	4515	4635	84
9410	INDUSTRIAL PLP PULLDOWN FAUCET - ANGLED SPOUT - TOGGLE SPRAYER	2180	2288	2982	3062	86
9410-2	INDUSTRIAL PLP PULLDOWN FAUCET - 2PC. SUITE	2660	2793	3640	3737	86
9410-3	INDUSTRIAL PLP PULLDOWN FAUCET - 3PC. SUITE	3113	3269	4260	4373	86
9410-4	INDUSTRIAL PLP PULLDOWN FAUCET - 4PC. SUITE	3410	3581	4667	4790	86
9450	MODERN PLP PULLDOWN FAUCET - TOGGLE SPRAYER	1982	2081	2712	2785	96
9450-2	MODERN PLP PULLDOWN FAUCET - 2PC. SUITE	2459	2582	3365	3455	96
9450-3	MODERN PLP PULLDOWN FAUCET - 3PC. SUITE	2908	3054	3980	4087	96
9450-4	MODERN PLP PULLDOWN FAUCET - 4PC. SUITE	3193	3353	4369	4487	96
9460	MODERN PLP PULLDOWN FAUCET - ANGLED SPOUT - TOGGLE SPRAYER	2093	2198	2863	2942	98
9460-2	MODERN PLP PULLDOWN FAUCET - 2PC. SUITE	2570	2699	3516	3612	98
9460-3	MODERN PLP PULLDOWN FAUCET - 3PC. SUITE	3019	3171	4131	4244	98
9460-4	MODERN PLP PULLDOWN FAUCET - 4PC. SUITE	3304	3470	4520	4644	98
9700	INDUSTRIAL EXTENDED REACH PLP PULLDOWN FAUCET - LEVER SPRAYER	2687	2821	3676	3775	83
9700-2	INDUSTRIAL EXTENDED REACH PLP PULLDOWN FAUCET - 2PC. SUITE	3167	3326	4334	4450	83
9700-3	INDUSTRIAL EXTENDED REACH PLP PULLDOWN FAUCET - 3PC. SUITE	3620	3802	4954	5086	83
9700-4	INDUSTRIAL EXTENDED REACH PLP PULLDOWN FAUCET - 4PC. SUITE	3917	4114	5361	5503	83
9750	MODERN EXTENDED REACH PLP PULLDOWN FAUCET - LEVER SPRAYER	2600	2731	3559	3654	95
9750-2	MODERN EXTENDED REACH PLP PULLDOWN FAUCET - 2PC. SUITE	3077	3232	4212	4324	95
9750-3	MODERN EXTENDED REACH PLP PULLDOWN FAUCET - 3PC. SUITE	3526	3704	4827	4956	95
9750-4	MODERN EXTENDED REACH PLP PULLDOWN FAUCET - 4PC. SUITE	3811	4003	5216	5356	95
9800	INDUSTRIAL PLP PULLDOWN FAUCET - LEVER SPRAYER	2445	2568	3345	3435	85
9800-2	INDUSTRIAL PLP PULLDOWN FAUCET - 2PC. SUITE	2925	3073	4003	4110	85
9800-3	INDUSTRIAL PLP PULLDOWN FAUCET - 3PC. SUITE	3378	3549	4623	4746	85
9800-4	INDUSTRIAL PLP PULLDOWN FAUCET - 4PC. SUITE	3675	3861	5030	5163	85
9810	INDUSTRIAL PLP PULLDOWN FAUCET - ANGLED SPOUT - LEVER SPRAYER	2549	2676	3488	3582	87
9810-2	INDUSTRIAL PLP PULLDOWN FAUCET - 2PC. SUITE	3029	3181	4146	4257	87
9810-3	INDUSTRIAL PLP PULLDOWN FAUCET - 3PC. SUITE	3482	3657	4766	4893	87
9810-4	INDUSTRIAL PLP PULLDOWN FAUCET - 4PC. SUITE	3779	3969	5173	5310	87
9850	MODERN PLP PULLDOWN FAUCET - LEVER SPRAYER	2358	2476	3227	3313	97
9850-2	MODERN PLP PULLDOWN FAUCET - 2PC. SUITE	2835	2977	3880	3983	97

FINISH GROUP 1: CH

FINISH GROUP 2: BLN, CHB, CLZ, GR, MB, MW, PB, PN, SB, SC, SN, UPB

FINISH GROUP 3: AB, ABZ, AC, AMB, AP, CB, DAB, DAC, DAMB, DAP, MAB, MAC, MAP, ORB, PC, TB

PRECIOUS METALS: PG, SG - 30% increase from Group 3*

STAINLESS STEEL: SS

SPLIT FINISHES: SEE PAGE 32

*Pricing subject to change

MODEL	NAME	GRP 1	GRP 2	GRP 3	SS	SPEC PG.
9850-3	MODERN PLP PULLDOWN FAUCET - 3PC. SUITE	3284	3449	4495	4615	97
9850-4	MODERN PLP PULLDOWN FAUCET - 4PC. SUITE	3569	3748	4884	5015	97
9860	MODERN PLP PULLDOWN FAUCET - ANGLED SPOUT - LEVER SPRAYER	2462	2586	3370	3460	99
9860-2	MODERN PLP PULLDOWN FAUCET - 2PC. SUITE	2939	3087	4023	4130	99
9860-3	MODERN PLP PULLDOWN FAUCET - 3PC. SUITE	3388	3559	4638	4762	99
9860-4	MODERN PLP PULLDOWN FAUCET - 4PC. SUITE	3673	3858	5027	5162	99
9900	INDUSTRIAL PREP SIZE PLP PULLDOWN FAUCET - TOGGLE SPRAYER	2046	2149	2799	2874	88
9900-2	INDUSTRIAL PREP SIZE PLP PULLDOWN FAUCET - 2PC. SUITE	2526	2654	3457	3549	88
9900-3	INDUSTRIAL PREP SIZE PLP PULLDOWN FAUCET - 3PC. SUITE	2979	3130	4077	4185	88
9900-4	INDUSTRIAL PREP SIZE PLP PULLDOWN FAUCET - 4PC. SUITE	3276	3442	4484	4602	88
9910	INDUSTRIAL PREP SIZE PLP PULLDOWN FAUCET - ANGLED SPOUT - TOGGLE SPRAYER	2051	2154	2806	2883	90
9910-2	INDUSTRIAL PREP SIZE PLP PULLDOWN FAUCET - 2PC. SUITE	2531	2659	3464	3558	90
9910-3	INDUSTRIAL PREP SIZE PLP PULLDOWN FAUCET - 3PC. SUITE	2984	3135	4084	4194	90
9910-4	INDUSTRIAL PREP SIZE PLP PULLDOWN FAUCET - 4PC. SUITE	3281	3447	4491	4611	90
9930	INDUSTRIAL PREP SIZE PLP PULLDOWN FAUCET - LEVER SPRAYER	2415	2537	3305	3394	89
9930-2	INDUSTRIAL PREP SIZE PLP PULLDOWN FAUCET - 2PC. SUITE	2895	3042	3963	4069	89
9930-3	INDUSTRIAL PREP SIZE PLP PULLDOWN FAUCET - 3PC. SUITE	3348	3518	4583	4705	89
9930-4	INDUSTRIAL PREP SIZE PLP PULLDOWN FAUCET - 4PC. SUITE	3645	3830	4990	5122	89
9940	INDUSTRIAL PREP SIZE PLP PULLDOWN FAUCET - ANGLED SPOUT - LEVER SPRAYER	2421	2542	3312	3402	91
9940-2	INDUSTRIAL PREP SIZE PLP PULLDOWN FAUCET - 2PC. SUITE	2901	3047	3970	4077	91
9940-3	INDUSTRIAL PREP SIZE PLP PULLDOWN FAUCET - 3PC. SUITE	3354	3523	4590	4713	91
9940-4	INDUSTRIAL PREP SIZE PLP PULLDOWN FAUCET - 4PC. SUITE	3651	3835	4997	5130	91
9950	MODERN PREP SIZE PLP PULLDOWN FAUCET - TOGGLE SPRAYER	1959	2057	2680	2752	100
9950-2	MODERN PREP SIZE PLP PULLDOWN FAUCET - 2PC. SUITE	2436	2558	3333	3422	100
9950-3	MODERN PREP SIZE PLP PULLDOWN FAUCET - 3PC. SUITE	2885	3030	3948	4054	100
9950-4	MODERN PREP SIZE PLP PULLDOWN FAUCET - 4PC. SUITE	3170	3329	4337	4454	100
9960	MODERN PREP SIZE PLP PULLDOWN FAUCET - ANGLED SPOUT - TOGGLE SPRAYER	1965	2063	2688	2761	102
9960-2	MODERN PREP SIZE PLP PULLDOWN FAUCET - 2PC. SUITE	2442	2564	3341	3431	102
9960-3	MODERN PREP SIZE PLP PULLDOWN FAUCET - 3PC. SUITE	2891	3036	3956	4063	102
9960-4	MODERN PREP SIZE PLP PULLDOWN FAUCET - 4PC. SUITE	3176	3335	4345	4463	102
9980	MODERN PREP SIZE PLP PULLDOWN FAUCET - LEVER SPRAYER	2328	2445	3185	3272	101
9980-2	MODERN PREP SIZE PLP PULLDOWN FAUCET - 2PC. SUITE	2805	2946	3838	3942	101
9980-3	MODERN PREP SIZE PLP PULLDOWN FAUCET - 3PC. SUITE	3254	3418	4453	4574	101
9980-4	MODERN PREP SIZE PLP PULLDOWN FAUCET - 4PC. SUITE	3539	3717	4842	4974	101

FINISH GROUP 1: CH

FINISH GROUP 2: BLN, CHB, CLZ, GR, MB, MW, PB, PN, SB, SC, SN, UPB

FINISH GROUP 3: AB, ABZ, AC, AMB, AP, CB, DAB, DAC, DAMB, DAP, MAB, MAC, MAP, ORB, PC, TB

PRECIOUS METALS: PG, SG - 30% increase from Group 3*

STAINLESS STEEL: SS

SPLIT FINISHES: SEE PAGE 32

**Pricing subject to change*

PRICING BY MODEL

MODEL	NAME	GRP 1	GRP 2	GRP 3	SS	SPEC PG.
9990	MODERN PREP SIZE PLP PULLDOWN FAUCET - ANGLED SPOUT - LEVER SPRAYER	2335	2451	3194	3281	103
9990-2	MODERN PREP SIZE PLP PULLDOWN FAUCET - 2PC. SUITE	2812	2952	3847	3951	103
9990-3	MODERN PREP SIZE PLP PULLDOWN FAUCET - 3PC. SUITE	3261	3424	4462	4583	103
9990-4	MODERN PREP SIZE PLP PULLDOWN FAUCET - 4PC. SUITE	3546	3723	4851	4983	103
10200	FULTON INDUSTRIAL EXTENDED REACH PLP FAUCET - TOGGLE SPRAYER	2422	2542	3314	3404	106
10200-2	FULTON INDUSTRIAL EXTENDED REACH PLP FAUCET - TOGGLE SPRAYER - 2 PC. SUITE	2902	3047	3972	4079	106
10200-3	FULTON INDUSTRIAL EXTENDED REACH PLP FAUCET - TOGGLE SPRAYER - 3 PC. SUITE	3355	3523	4592	4715	106
10200-4	FULTON INDUSTRIAL EXTENDED REACH PLP FAUCET - TOGGLE SPRAYER - 4 PC. SUITE	3652	3835	4999	5132	106
10210	FULTON INDUSTRIAL PLP PULLDOWN FAUCET - TOGGLE SPRAYER	2172	2281	2971	3053	108
10210-2	FULTON INDUSTRIAL PLP PULLDOWN FAUCET - TOGGLE SPRAYER - 2 PC. SUITE	2652	2786	3629	3728	108
10210-3	FULTON INDUSTRIAL PLP PULLDOWN FAUCET - TOGGLE SPRAYER - 3 PC. SUITE	3105	3262	4249	4364	108
10210-4	FULTON INDUSTRIAL PLP PULLDOWN FAUCET - TOGGLE SPRAYER - 4 PC. SUITE	3402	3574	4656	4781	108
10220	FULTON INDUSTRIAL PLP PULLDOWN FAUCET - ANGLED SPOUT - TOGGLE SPRAYER	2288	2402	3131	3215	110
10220-2	FULTON INDUSTRIAL PLP PULLDOWN FAUCET - ANGLED SPOUT - TOGGLE SPRAYER - 2PC. SUITE	2768	2907	3789	3890	110
10220-3	FULTON INDUSTRIAL PLP PULLDOWN FAUCET - ANGLED SPOUT - TOGGLE SPRAYER - 3PC. SUITE	3221	3383	4409	4526	110
10220-4	FULTON INDUSTRIAL PLP PULLDOWN FAUCET - ANGLED SPOUT - TOGGLE SPRAYER - 4PC. SUITE	3518	3695	4816	4943	110
10230	FULTON INDUSTRIAL PREP SIZE PLP PULLDOWN FAUCET - TOGGLE SPRAYER	2149	2256	2938	3018	112
10230-2	FULTON INDUSTRIAL PREP SIZE PLP PULLDOWN FAUCET - TOGGLE SPRAYER - 2 PC. SUITE	2629	2761	3596	3693	112
10230-3	FULTON INDUSTRIAL PREP SIZE PLP PULLDOWN FAUCET - TOGGLE SPRAYER - 3 PC. SUITE	3082	3237	4216	4329	112
10230-4	FULTON INDUSTRIAL PREP SIZE PLP PULLDOWN FAUCET - TOGGLE SPRAYER - 4 PC. SUITE	3379	3549	4623	4746	112
10240	FULTON INDUSTRIAL PREP SIZE PLP PULLDOWN FAUCET - ANGLE SPOUT - TOGGLE SPRAYER	2167	2284	2972	3051	114
10240-2	FULTON INDUSTRIAL PREP SIZE PLP PULLDOWN FAUCET - ANGLE SPOUT - TOGGLE SPRAYER - 2 PC. SUITE	2647	2789	3630	3726	114

FINISH GROUP 1: CH

FINISH GROUP 2: BLN, CHB, CLZ, GR, MB, MW, PB, PN, SB, SC, SN, UPB

FINISH GROUP 3: AB, ABZ, AC, AMB, AP, CB, DAB, DAC, DAMB, DAP, MAB, MAC, MAP, ORB, PC, TB

PRECIOUS METALS: PG, SG - 30% increase from Group 3*

STAINLESS STEEL: SS

SPLIT FINISHES: SEE PAGE 32

*Pricing subject to change

MODEL	NAME	GRP 1	GRP 2	GRP 3	SS	SPEC PG.
10240-3	FULTON INDUSTRIAL PREP SIZE PLP PULLDOWN FAUCET - ANGLE SPOUT - TOGGLE SPRAYER - 3 PC. SUITE	3100	3265	4250	4362	114
10240-4	FULTON INDUSTRIAL PREP SIZE PLP PULLDOWN FAUCET - ANGLE SPOUT - TOGGLE SPRAYER - 4 PC. SUITE	3397	3577	4657	4779	114
10250	FULTON INDUSTRIAL EXTENDED REACH PLP FAUCET - LEVER SPRAYER	2821	2961	3860	3965	107
10250-2	FULTON INDUSTRIAL EXTENDED REACH PLP FAUCET - LEVER SPRAYER - 2 PC. SUITE	3301	3466	4518	4640	107
10250-3	FULTON INDUSTRIAL EXTENDED REACH PLP FAUCET - LEVER SPRAYER - 3 PC. SUITE	3754	3942	5138	5276	107
10250-4	FULTON INDUSTRIAL EXTENDED REACH PLP FAUCET - LEVER SPRAYER - 4 PC. SUITE	4051	4254	5545	5693	107
10260	FULTON INDUSTRIAL PLP PULLDOWN FAUCET - LEVER SPRAYER	2568	2696	3512	3608	109
10260-2	FULTON INDUSTRIAL PLP PULLDOWN FAUCET - LEVER SPRAYER - 2 PC. SUITE	3048	3201	4170	4283	109
10260-3	FULTON INDUSTRIAL PLP PULLDOWN FAUCET - LEVER SPRAYER - 3 PC. SUITE	3501	3677	4790	4919	109
10260-4	FULTON INDUSTRIAL PLP PULLDOWN FAUCET - LEVER SPRAYER - 4 PC. SUITE	3798	3989	5197	5336	109
10270	FULTON INDUSTRIAL PLP PULLDOWN FAUCET - ANGLE SPOUT - TOGGLE SPRAYER	2676	2810	3662	3761	111
10270-2	FULTON INDUSTRIAL PLP PULLDOWN FAUCET - ANGLE SPOUT - TOGGLE SPRAYER - 2PC. SUITE	3156	3315	4320	4436	111
10270-3	FULTON INDUSTRIAL PLP PULLDOWN FAUCET - ANGLE SPOUT - TOGGLE SPRAYER - 3PC. SUITE	3609	3791	4940	5072	111
10270-4	FULTON INDUSTRIAL PLP PULLDOWN FAUCET - ANGLE SPOUT - TOGGLE SPRAYER - 2PC. SUITE	3906	4103	5347	5489	111
10280	FULTON INDUSTRIAL PREP SIZE PLP PULLDOWN FAUCET - LEVER SPRAYER	2550	2677	3487	3582	113
10280-2	FULTON INDUSTRIAL PREP SIZE PLP PULLDOWN FAUCET - LEVER SPRAYER - 2 PC. SUITE	3030	3182	4145	4257	113
10280-3	FULTON INDUSTRIAL PREP SIZE PLP PULLDOWN FAUCET - LEVER SPRAYER - 3 PC. SUITE	3483	3658	4765	4893	113
10280-4	FULTON INDUSTRIAL PREP SIZE PLP PULLDOWN FAUCET - LEVER SPRAYER - 4 PC. SUITE	3780	3970	5172	5310	113
10290	FULTON INDUSTRIAL PREP SIZE PLP PULLDOWN FAUCET - ANGLE SPOUT - LEVER SPRAYER	2555	2694	3505	3598	115
10290-2	FULTON INDUSTRIAL PREP SIZE PLP PULLDOWN FAUCET - ANGLE SPOUT - LEVER SPRAYER - 2 PC. SUITE	3035	3199	4163	4273	115
10290-3	FULTON INDUSTRIAL PREP SIZE PLP PULLDOWN FAUCET - ANGLE SPOUT - LEVER SPRAYER - 3 PC. SUITE	3488	3675	4783	4909	115

FINISH GROUP 1: CH

FINISH GROUP 2: BLN, CHB, CLZ, GR, MB, MW, PB, PN, SB, SC, SN, UPB

FINISH GROUP 3: AB, ABZ, AC, AMB, AP, CB, DAB, DAC, DAMB, DAP, MAB, MAC, MAP, ORB, PC, TB

PRECIOUS METALS: PG, SG - 30% increase from Group 3*

STAINLESS STEEL: SS

SPLIT FINISHES: SEE PAGE 32

**Pricing subject to change*

PRICING BY MODEL



MODEL	NAME	GRP 1	GRP 2	GRP 3	SS	SPEC PG.
10290-4	FULTON INDUSTRIAL PREP SIZE PLP PULLDOWN FAUCET - ANGLE SPOUT - LEVER SPRAYER - 4 PC. SUITE	3785	3987	5190	5326	115
10300	FULTON MODERN EXTENDED REACH PLP FAUCET - TOGGLE SPRAYER	2330	2447	3189	3276	118
10300-2	FULTON MODERN EXTENDED REACH PLP FAUCET - TOGGLE SPRAYER - 2PC. SUITE	2807	2948	3842	3946	118
10300-3	FULTON MODERN EXTENDED REACH PLP FAUCET - TOGGLE SPRAYER - 3PC. SUITE	3256	3420	4457	4578	118
10300-4	FULTON MODERN EXTENDED REACH PLP FAUCET - TOGGLE SPRAYER - 4PC. SUITE	3541	3719	4846	4978	118
10310	FULTON MODERN PLP PULLDOWN FAUCET - TOGGLE SPRAYER	2080	2185	2846	2925	120
10310-2	FULTON MODERN PLP PULLDOWN FAUCET - TOGGLE SPRAYER - 2PC. SUITE	2557	2686	3499	3595	120
10310-3	FULTON MODERN PLP PULLDOWN FAUCET - TOGGLE SPRAYER - 3PC. SUITE	3006	3158	4114	4227	120
10310-4	FULTON MODERN PLP PULLDOWN FAUCET - TOGGLE SPRAYER - 4PC. SUITE	3291	3457	4503	4627	120
10320	FULTON MODERN PLP PULLDOWN FAUCET - ANGLED SPOUT - TOGGLE SPRAY	2197	2308	3007	3089	122
10320-2	FULTON MODERN PLP PULLDOWN FAUCET - ANGLED SPOUT - TOGGLE SPRAY - 2 PC. SUITE	2674	2809	3660	3759	122
10320-3	FULTON MODERN PLP PULLDOWN FAUCET - ANGLED SPOUT - TOGGLE SPRAY - 3 PC. SUITE	3123	3281	4275	4391	122
10320-4	FULTON MODERN PLP PULLDOWN FAUCET - ANGLED SPOUT - TOGGLE SPRAY - 4 PC. SUITE	3408	3580	4664	4791	122
10330	FULTON MODERN PREP SIZE PLP PULLDOWN FAUCET - TOGGLE SPRAYER	2057	2160	2813	2890	124
10330-2	FULTON MODERN PREP SIZE PLP PULLDOWN FAUCET - TOGGLE SPRAYER - 2 PC. SUITE	2534	2661	3466	3560	124
10330-3	FULTON MODERN PREP SIZE PLP PULLDOWN FAUCET - TOGGLE SPRAYER - 3 PC. SUITE	2983	3133	4081	4192	124
10330-4	FULTON MODERN PREP SIZE PLP PULLDOWN FAUCET - TOGGLE SPRAYER - 4 PC. SUITE	3268	3432	4470	4592	124
10340	FULTON MODERN PREP SIZE PLP PULLDOWN FAUCET - ANGLE SPOUT - TOGGLE SPRAYER	2075	2190	2849	2923	126
10340-2	FULTON MODERN PREP SIZE PLP PULLDOWN FAUCET - ANGLE SPOUT - TOGGLE SPRAYER - 2 PC. SUITE	2552	2691	3502	3593	126
10340-3	FULTON MODERN PREP SIZE PLP PULLDOWN FAUCET - ANGLE SPOUT - TOGGLE SPRAYER - 3 PC. SUITE	3001	3163	4117	4225	126
10340-4	FULTON MODERN PREP SIZE PLP PULLDOWN FAUCET - ANGLE SPOUT - TOGGLE SPRAYER - 4 PC. SUITE	3286	3462	4506	4625	126

FINISH GROUP 1: CH

FINISH GROUP 2: BLN, CHB, CLZ, GR, MB, MW, PB, PN, SB, SC, SN, UPB

FINISH GROUP 3: AB, ABZ, AC, AMB, AP, CB, DAB, DAC, DAMB, DAP, MAB, MAC, MAP, ORB, PC, TB

PRECIOUS METALS: PG, SG - 30% increase from Group 3*

STAINLESS STEEL: SS

SPLIT FINISHES: SEE PAGE 32

*Pricing subject to change

MODEL	NAME	GRP 1	GRP 2	GRP 3	SS	SPEC PG.
10350	FULTON MODERN EXTENDED REACH PLP FAUCET - LEVER SPRAYER	2730	2868	3737	3837	119
10350-2	FULTON MODERN EXTENDED REACH PLP FAUCET - LEVER SPRAYER - 2PC. SUITE	3207	3369	4390	4507	119
10350-3	FULTON MODERN EXTENDED REACH PLP FAUCET - LEVER SPRAYER - 3PC. SUITE	3656	3841	5005	5139	119
10350-4	FULTON MODERN EXTENDED REACH PLP FAUCET - LEVER SPRAYER - 4PC. SUITE	3941	4140	5394	5539	119
10360	FULTON MODERN PLP PULLDOWN FAUCET - LEVER SPRAYER	2476	2600	3387	3480	121
10360-2	FULTON MODERN PLP PULLDOWN FAUCET - LEVER SPRAYER - 2PC. SUITE	2953	3101	4040	4150	121
10360-3	FULTON MODERN PLP PULLDOWN FAUCET - LEVER SPRAYER - 3PC. SUITE	3402	3573	4655	4782	121
10360-4	FULTON MODERN PLP PULLDOWN FAUCET - LEVER SPRAYER - 4PC. SUITE	3687	3872	5044	5182	121
10370	FULTON MODERN PLP PULLDOWN FAUCET - ANGLED SPOUT - LEVER SPRAY	2585	2716	3538	3634	123
10370-2	FULTON MODERN PLP PULLDOWN FAUCET - ANGLED SPOUT - LEVER SPRAY - 2 PC. SUITE	3062	3217	4191	4304	123
10370-3	FULTON MODERN PLP PULLDOWN FAUCET - ANGLED SPOUT - LEVER SPRAY - 3 PC. SUITE	3511	3689	4806	4936	123
10370-4	FULTON MODERN PLP PULLDOWN FAUCET - ANGLED SPOUT - LEVER SPRAY - 4 PC. SUITE	3796	3988	5195	5336	123
10380	FULTON MODERN PREP SIZE PLP PULLDOWN FAUCET - LEVER SPRAYER	2445	2568	3344	3437	125
10380-2	FULTON MODERN PREP SIZE PLP PULLDOWN FAUCET - LEVER SPRAYER - 2 PC. SUITE	2922	3069	3997	4107	125
10380-3	FULTON MODERN PREP SIZE PLP PULLDOWN FAUCET - LEVER SPRAYER - 3 PC. SUITE	3371	3541	4612	4739	125
10380-4	FULTON MODERN PREP SIZE PLP PULLDOWN FAUCET - LEVER SPRAYER - 4 PC. SUITE	3656	3840	5001	5139	125
10390	FULTON MODERN PREP SIZE PLP PULLDOWN FAUCET - ANGLE SPOUT - LEVER SPRAYER	2465	2602	3384	3474	127
10390-2	FULTON MODERN PREP SIZE PLP PULLDOWN FAUCET - ANGLE SPOUT - LEVER SPRAYER - 2 PC. SUITE	2942	3103	4037	4144	127
10390-3	FULTON MODERN PREP SIZE PLP PULLDOWN FAUCET - ANGLE SPOUT - LEVER SPRAYER - 3 PC. SUITE	3391	3575	4652	4776	127
10390-4	FULTON MODERN PREP SIZE PLP PULLDOWN FAUCET - ANGLE SPOUT - LEVER SPRAYER - 4 PC. SUITE	3676	3874	5041	5176	127
30101	MULTI-STAGE FILTRATION UNIT	457				215
30102	REPLACEMENT FILTRATION FILTER	159				215
30102-2	REPLACEMENT FILTRATION FILTER - 2 PACK	246				215

FINISH GROUP 1: CH

FINISH GROUP 2: BLN, CHB, CLZ, GR, MB, MW, PB, PN, SB, SC, SN, UPB

FINISH GROUP 3: AB, ABZ, AC, AMB, AP, CB, DAB, DAC, DAMB, DAP, MAB, MAC, MAP, ORB, PC, TB

PRECIOUS METALS: PG, SG - 30% increase from Group 3*

STAINLESS STEEL: SS

SPLIT FINISHES: SEE PAGE 32

**Pricing subject to change*

PRICING BY MODEL



MODEL	NAME	GRP 1	GRP 2	GRP 3	SS	SPEC PG.
141400	COUPLING - 1/4 x 1/4 - RED TUBE	31				N/A
516380	COUPLING - 5/16 x 3/8 - CLEAR TUBE	31				N/A
516516	COUPLING - 5/16 x 5/16	31				N/A
AS-414	SAFETY VALVE LEAK DETECTION UNIT	209				215
HCK-100	CONTEMPORARY SMALL KNOB	44	56	72	77	220
HCK-101	CONTEMPORARY LARGE KNOB	46	59	74	79	220
HCK-102	CONTEMPORARY POST PULL	80	105	132	139	220
HCK-103	CONTEMPORARY T-PULL	86	111	141	149	220
HCP-0300	CONTEMPORARY 3" CABINET PULL	78	102	129	137	223
HCP-0350	CONTEMPORARY 3.5" CABINET PULL	79	106	132	139	223
HCP-0400	CONTEMPORARY 4" CABINET PULL	81	108	134	143	223
HCP-0500	CONTEMPORARY 5" CABINET PULL	84	111	138	144	223
HCP-0600	CONTEMPORARY 6" CABINET PULL	86	113	142	149	223
HCP-0800	CONTEMPORARY 8" CABINET PULL	89	115	150	165	223
HCP-1200	CONTEMPORARY 12" HEAVY DRAWER PULL	178	206	266	289	226
HCP-1201	CONTEMPORARY 12" APPLIANCE / DOOR PULL	391	415	549	615	228
HCP-1800	CONTEMPORARY 18" APPLIANCE / DOOR PULL	492	518	676	747	228
HCP-2400	CONTEMPORARY 24" APPLIANCE / DOOR PULL	565	589	794	835	228
HCP-3000	CONTEMPORARY 30" APPLIANCE / DOOR PULL	722	768	963	1032	228
HIK-200	INDUSTRIAL 3 SPOKE KNOB	153	163	203	N/A	220
HIK-201	INDUSTRIAL SMALL KNURLED KNOB	60	63	83	N/A	220
HIK-202	INDUSTRIAL LARGE KNURLED KNOB	62	66	85	N/A	220
HIP-0200	INDUSTRIAL 2" BIN PULL	411	432	562	N/A	225
HIP-0300	INDUSTRIAL 3" BIN PULL	504	530	689	N/A	225
HIP-0400	INDUSTRIAL 4" BIN PULL	522	549	715	N/A	225
HIP-0500	INDUSTRIAL 5" HANDLE PULL	635	678	921	N/A	224
HIP-0600	INDUSTRIAL 6" HANDLE PULL	642	685	932	N/A	224
HIP-0800	INDUSTRIAL 8" HANDLE PULL	653	697	946	N/A	224
HIP-1200	INDUSTRIAL 12" HEAVY DUTY DRAWER PULL	668	713	967	N/A	226
HIP-1201	INDUSTRIAL 12" APPLIANCE / DOOR PULL	1153	1211	1559	N/A	229
HIP-1800	INDUSTRIAL 18" APPLIANCE / DOOR PULL	1210	1265	1629	N/A	229
HIP-2400	INDUSTRIAL 24" APPLIANCE / DOOR PULL	1233	1289	1662	N/A	229
HIP-3000	INDUSTRIAL 30" APPLIANCE / DOOR PULL	1304	1363	1759	N/A	229
HMK-102	MODERN INDUSTRIAL POST PULL	112	146	184	N/A	222
HMK-103	MODERN INDUSTRIAL T-PULL	120	155	197	N/A	222
HMP-0300	MODERN INDUSTRIAL 3" CABINET PULL	144	188	232	N/A	224
HMP-0350	MODERN INDUSTRIAL 3.5" CABINET PULL	149	194	244	N/A	224

FINISH GROUP 1: CH

FINISH GROUP 2: BLN, CHB, CLZ, GR, MB, MW, PB, PN, SB, SC, SN, UPB

FINISH GROUP 3: AB, ABZ, AC, AMB, AP, CB, DAB, DAC, DAMB, DAP, MAB, MAC, MAP, ORB, PC, TB

PRECIOUS METALS: PG, SG - 30% increase from Group 3*

STAINLESS STEEL: SS

SPLIT FINISHES: SEE PAGE 32

*Pricing subject to change

MODEL	NAME	GRP 1	GRP 2	GRP 3	SS	SPEC PG.
HMP-0400	MODERN INDUSTRIAL 4" CABINET PULL	154	205	255	N/A	224
HMP-0500	MODERN INDUSTRIAL 5" CABINET PULL	159	211	263	N/A	224
HMP-0600	MODERN INDUSTRIAL 6" CABINET PULL	164	215	270	N/A	224
HMP-0800	MODERN INDUSTRIAL 8" CABINET PULL	169	219	285	N/A	224
HMP-1200	MODERN INDUSTRIAL 12" HEAVY DRAWER PULL	337	391	505	N/A	227
HMP-1201	MODERN INDUSTRIAL 12" APPLIANCE / DOOR PULL	586	623	823	N/A	229
HMP-1800	MODERN INDUSTRIAL 18" APPLIANCE / DOOR PULL	671	706	922	N/A	229
HMP-2400	MODERN INDUSTRIAL 24" APPLIANCE / DOOR PULL	847	883	1191	N/A	229
HMP-3000	MODERN INDUSTRIAL 30" APPLIANCE / DOOR PULL	1083	1152	1443	N/A	229
HMP-1201B	MODERN INDUSTRIAL 12" DOOR PULLS - 2 PULLS BACK TO BACK	1226	1293	1679	N/A	230
HMP-1800B	MODERN INDUSTRIAL 18" DOOR PULLS - 2 PULLS BACK TO BACK	1502	1573	2028	N/A	230
HMP-2400B	MODERN INDUSTRIAL 24" DOOR PULLS - 2 PULLS BACK TO BACK	1855	1926	2564	N/A	231
HMP-3000B	MODERN INDUSTRIAL 30" DOOR PULLS - 2 PULLS BACK TO BACK	2326	2465	3070	N/A	231
HTK-001	TRADITIONAL SMALL PLAIN KNOB	47	59	76	N/A	218
HTK-002	TRADITIONAL LARGE PLAIN KNOB	53	64	85	N/A	218
HTK-003	TRADITIONAL SMALL DECORATIVE KNOB	48	61	79	N/A	218
HTK-004	TRADITIONAL LARGE DECORATIVE KNOB	56	67	89	N/A	218
HTK-005	TRADITIONAL POST PULL	80	105	137	N/A	219
HTK-006	TRADITIONAL SMALL T-PULL	93	118	156	N/A	219
HTK-007	TRADITIONAL LARGE T-PULL	98	121	158	N/A	219
HTP-0300	TRADITIONAL 3" CABINET PULL	129	174	229	N/A	223
HTP-0350	TRADITIONAL 3.5" CABINET PULL	145	177	232	N/A	223
HTP-0400	TRADITIONAL 4" CABINET PULL	149	184	240	N/A	223
HTP-0500	TRADITIONAL 5" CABINET PULL	155	189	248	N/A	223
HTP-0600	TRADITIONAL 6" CABINET PULL	160	195	256	N/A	223
HTP-0800	TRADITIONAL 8" CABINET PULL	168	202	266	N/A	223
HTP-1200	TRADITIONAL 12" HEAVY DRAWER PULL	188	210	275	N/A	226
HTP-1201	TRADITIONAL 12" APPLIANCE / DOOR PULL	258	298	391	N/A	228
HTP-1800	TRADITIONAL 18" APPLIANCE / DOOR PULL	631	706	925	N/A	228
HTP-2400	TRADITIONAL 24" APPLIANCE / DOOR PULL	698	777	1019	N/A	228
HTP-3000	TRADITIONAL 30" APPLIANCE / DOOR PULL	748	795	1042	N/A	228

FINISH GROUP 1: CH

FINISH GROUP 2: BLN, CHB, CLZ, GR, MB, MW, PB, PN, SB, SC, SN, UPB

FINISH GROUP 3: AB, ABZ, AC, AMB, AP, CB, DAB, DAC, DAMB, DAP, MAB, MAC, MAP, ORB, PC, TB

PRECIOUS METALS: PG, SG - 30% increase from Group 3*

STAINLESS STEEL: SS

SPLIT FINISHES: SEE PAGE 32

**Pricing subject to change*

WHEEL PULLDOWN FAUCETS



*Traditional Wheel Pulldown - 5100
(pg. 59)*



*Endeavor Wheel Pulldown - 5125
(pg. 60)*



*Endeavor Wheel Pulldown - 5130
(pg. 61)*

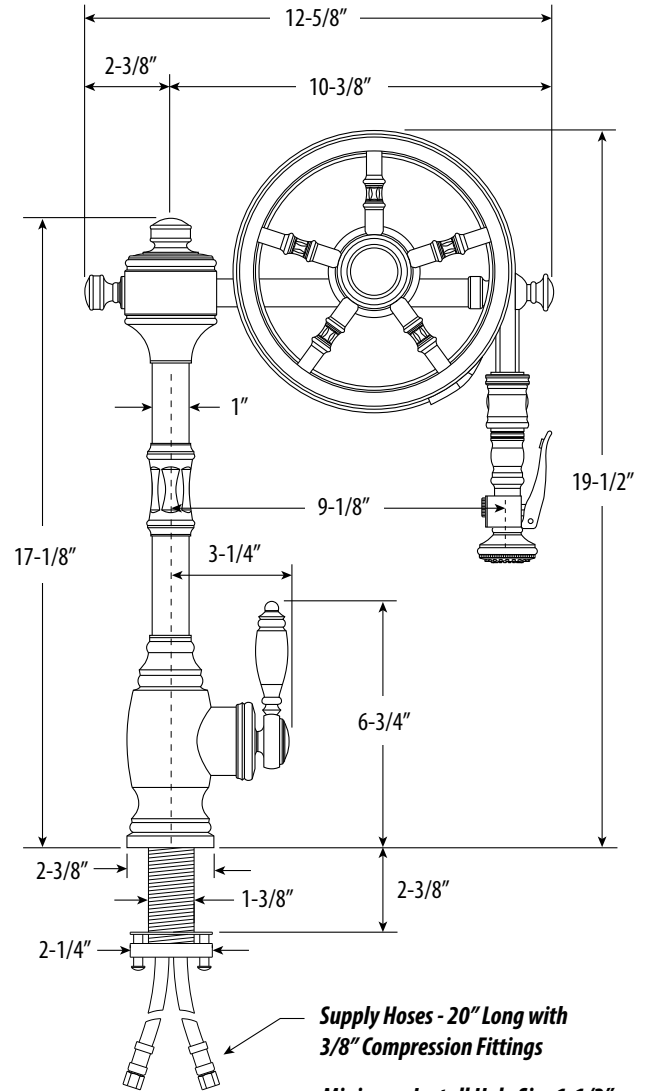
TRADITIONAL WHEEL PULLDOWN FAUCET

LIST PRICES:

MODEL #	GRP 1	GRP 2	GRP 3	SS
5100	6863	7206	9390	N/A

FEATURES:

- The Wheel spring technology gives the sprayer an easy, smooth pull.
- Pulley braking system prevents handle snap back when released.
- The Wheel has 9-1/8" reach and can swivel 360 degrees.
- Lever handle spray head pulls out 20" from spout.
- 1.75 gpm maximum flow rate with aerated tip.
- Handle ring can be adjusted to preferred push/pull tension and prevents sag.
- Hot/cold ceramic disk valve cartridge.
- Compatible with reverse osmosis water and systems.



MEETS THE FOLLOWING:

- ASME A112.18.1
- CSA B125.1
- NSF 61, 372
- CALGreen

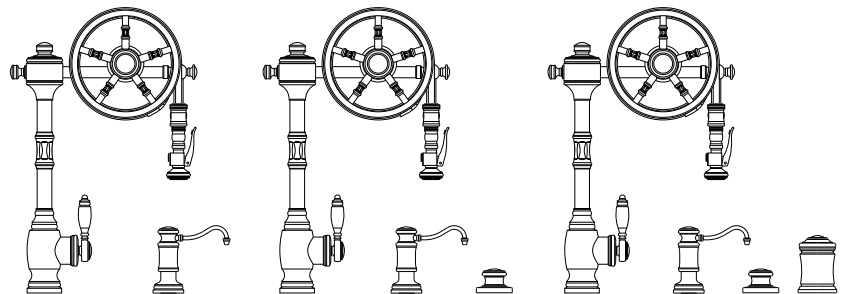
Supply Hoses - 20" Long with 3/8" Compression Fittings

Minimum Install Hole Size 1-1/2"

5100 SUITES

SUITE LIST PRICES:

MODEL #	GRP 1	GRP 2	GRP 3	SS
5100-2	7427	7798	10161	N/A
5100-3	7923	8320	10841	N/A
5100-4	8239	8651	11272	N/A



5100-2

5100-3

5100-4

2pc. Suite Soap/Lotion Dispenser (4060)

3pc. Suite includes Soap/Lotion Dispenser (4060) and Air Switch (4010)

4pc. Suite includes Soap/Lotion Dispenser (4060), Air Switch (4010) and Single Port Air Gap (4020)

FINISH GROUP 1: CH

FINISH GROUP 2: BLN, CHB, CLZ, GR, MB, MW, PB, PN, SB, SC, SN, UPB

FINISH GROUP 3: AB, ABZ, AC, AMB, AP, CB, DAB, DAC, DAMB, DAP, MAB, MAC, MAP, ORB, PC, TB

PRECIOUS METALS: PG, SG - 30% increase from Group 3*

STAINLESS STEEL: SS

SPLIT FINISHES: SEE PAGE 32

*Pricing subject to change

ENDEAVOR WHEEL PULLDOWN FAUCET / TOGGLE SPRAYER

LIST PRICES:

MODEL #	GRP 1	GRP 2	GRP 3	SS
5125	7872	8266	10770	N/A

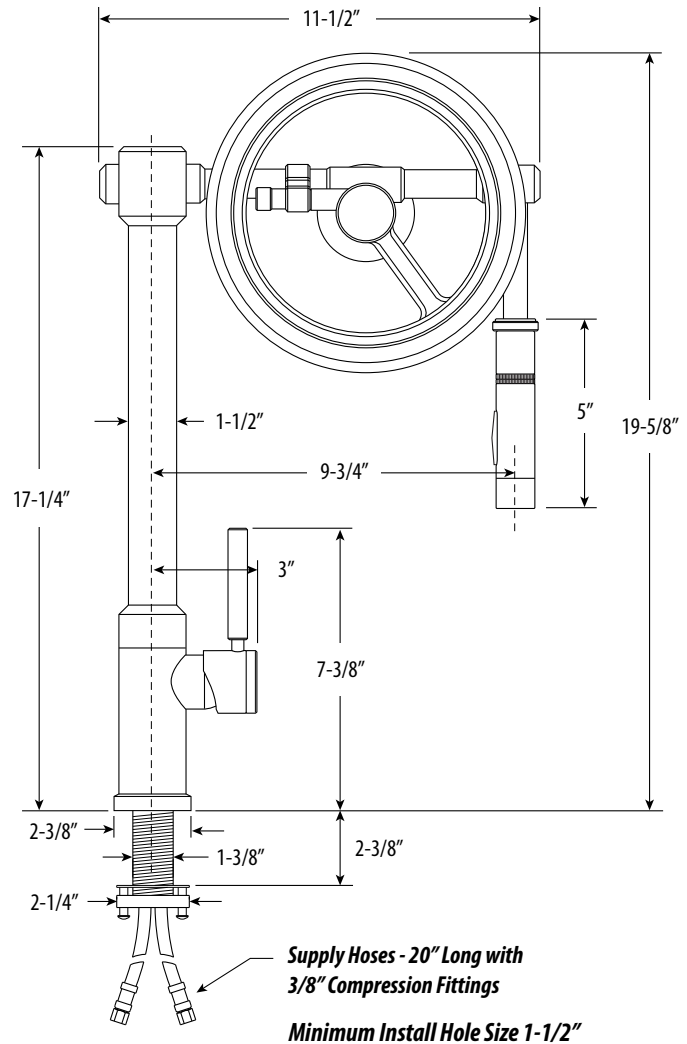
FEATURES:

- Innovative and modern mono-spoke design.
- The Wheel spring technology gives the sprayer an easy, smooth pull.
- Pulley braking system prevents handle snap back when released.
- Wheel has 9-3/4" reach and can swivel 360 degrees.
- Toggle handle spray head pulls out 20" from spout.
- 1.75 gpm maximum flow rate with aerated tip.
- Hot/cold ceramic disk valve cartridge.
- Compatible with reverse osmosis water and systems.
- Made from eco-friendly solid brass.



MEETS THE FOLLOWING:

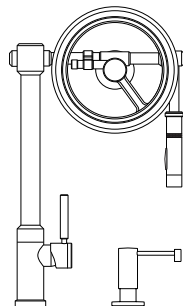
- ASME A112.18.1
- CSA B125.1
- NSF 61, 372
- CALGreen



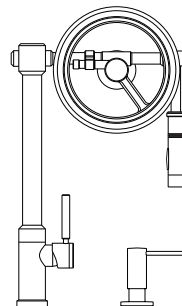
5125 SUITES

SUITE LIST PRICES:

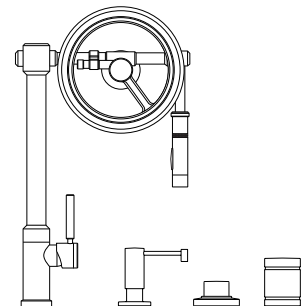
MODEL #	GRP 1	GRP 2	GRP 3	SS
5125-2	8349	8767	11423	N/A
5125-3	8798	9239	12038	N/A
5125-4	9083	9538	12427	N/A



5125-2



5125-3



5125-4

2pc. Suite Soap/Lotion Dispenser (4065)

3pc. Suite includes Soap/Lotion Dispenser (4065) and Air Switch (3010)

4pc. Suite includes Soap/Lotion Dispenser (4065), Air Switch (3010) and Single Port Air Gap (3020)

FINISH GROUP 1: CH

FINISH GROUP 2: BLN, CHB, CLZ, GR, MB, MW, PB, PN, SB, SC, SN, UPB

FINISH GROUP 3: AB, ABZ, AC, AMB, AP, CB, DAB, DAC, DAMB, DAP, MAB, MAC, MAP, ORB, PC, TB

PRECIOUS METALS: PG, SG - 30% increase from Group 3*

STAINLESS STEEL: SS

SPLIT FINISHES: SEE PAGE 32

*Pricing subject to change

ENDEAVOR WHEEL PULLDOWN FAUCET / LEVER SPRAYER

LIST PRICES:

MODEL #	GRP 1	GRP 2	GRP 3	SS
5130	8056	8459	11023	N/A

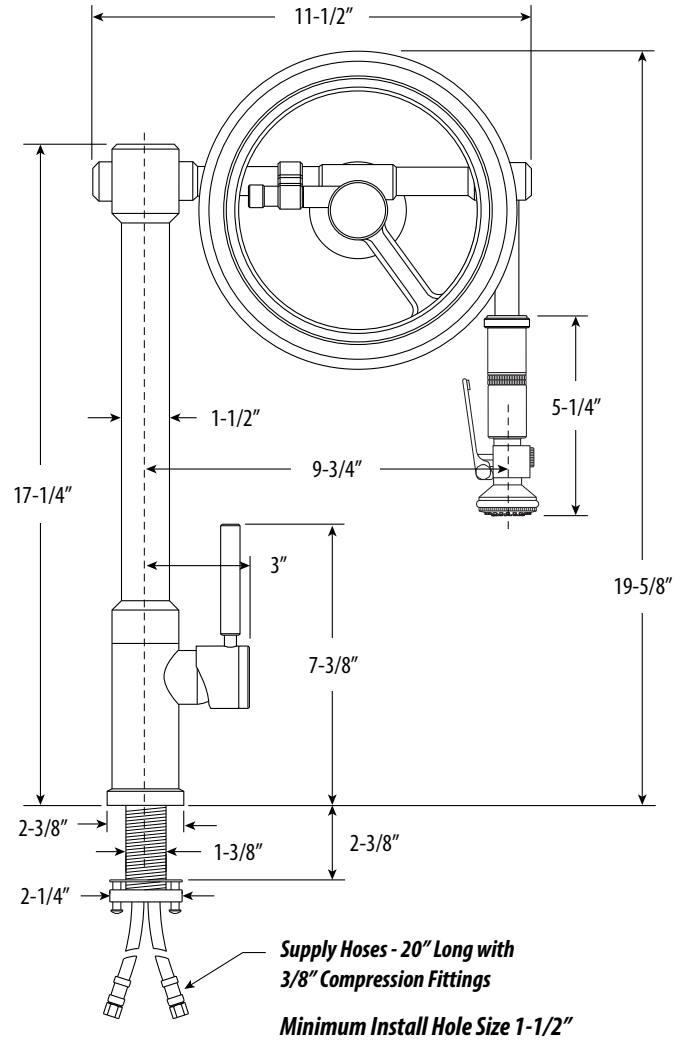
FEATURES:

- Innovative and modern mono-spoke design.
- The Wheel spring technology gives the sprayer an easy, smooth pull.
- Pulley braking system prevents handle snap back when released.
- Thinner, sleek faucet body design.
- Wheel has 9-3/4" reach and can swivel 360 degrees.
- Lever handle spray head pulls out 20" from spout.
- 1.75 gpm maximum flow rate with aerated tip.
- Hot/cold ceramic disk valve cartridge.
- Compatible with reverse osmosis water and systems.



MEETS THE FOLLOWING:

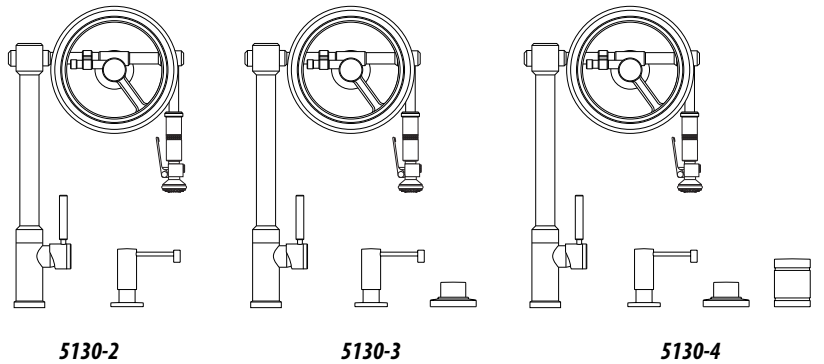
- ASME A112.18.1
- CSA B125.1
- NSF 61, 372
- CALGreen



5130 SUITES

SUITE LIST PRICES:

MODEL #	GRP 1	GRP 2	GRP 3	SS
5130-2	8533	8960	11676	N/A
5130-3	8982	9432	12291	N/A
5130-4	9267	9731	12680	N/A



- 2pc. Suite Soap/Lotion Dispenser (4065)
- 3pc. Suite includes Soap/Lotion Dispenser (4065) and Air Switch (3010)
- 4pc. Suite includes Soap/Lotion Dispenser (4065), Air Switch (3010) and Single Port Air Gap (3020)

FINISH GROUP 1: CH
FINISH GROUP 2: BLN, CHB, CLZ, GR, MB, MW, PB, PN, SB, SC, SN, UPB
FINISH GROUP 3: AB, ABZ, AC, AMB, AP, CB, DAB, DAC, DAMB, DAP, MAB, MAC, MAP, ORB, PC, TB

PRECIOUS METALS: PG, SG - 30% increase from Group 3*
STAINLESS STEEL: SS
SPLIT FINISHES: SEE PAGE 32

*Pricing subject to change

TRADITIONAL PLP PULLDOWN FAUCETS



*PLP Pulldown Faucet - 5500
(pg. 63)*



*PLP Pulldown Faucet - 5600
(pg. 64)*



*PLP Pulldown Faucet - 5610
(pg. 65)*



*Prep Size PLP Pulldown Faucet - 5200
(pg. 66)*



*Prep Size PLP Pulldown Faucet - 5210
(pg. 67)*

TRADITIONAL EXTENDED REACH PLP PULLDOWN FAUCET / LEVER SPRAYER

LIST PRICES:

MODEL #	GRP 1	GRP 2	GRP 3	SS
5500	2902	3046	3970	N/A

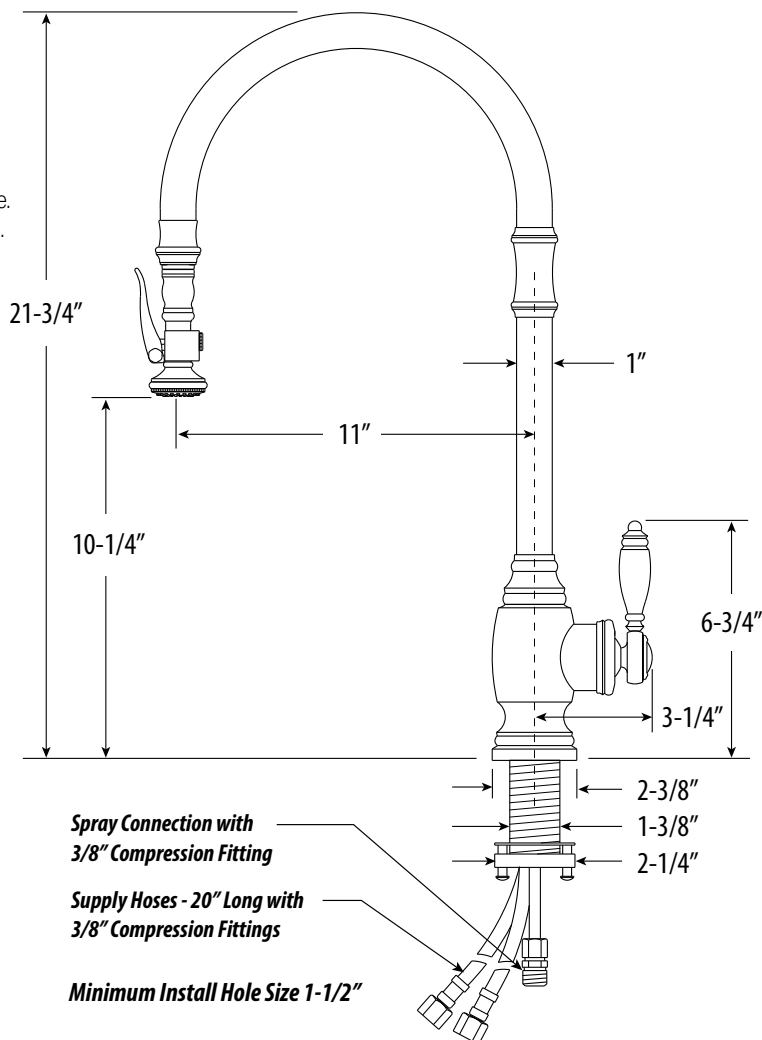
FEATURES:

- "Positive Lock Pulldown" design locks sprayer in place when not in use.
- Spout has a larger 11" reach for big sinks and can swivel 360 degrees.
- Lever handle spray head pulls out 18" from spout.
- Sprayer instantly diverts water from aerated stream to wide spray when lever handle is held.
- 1.75 gpm maximum flow rate with aerated tip.
- Hot/cold ceramic disk valve cartridge.
- Compatible with reverse osmosis water and systems.
- Made from eco-friendly solid brass.



MEETS THE FOLLOWING:

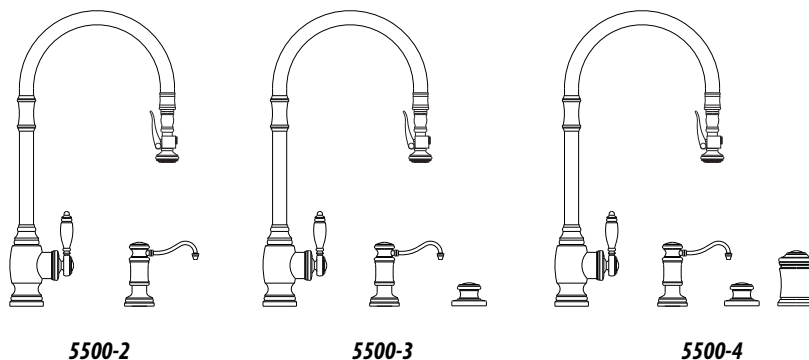
- ASME A112.18.1
- CSA B125.1
- NSF 61, 372
- CALGreen



5500 SUITES

SUITE LIST PRICES:

MODEL #	GRP 1	GRP 2	GRP 3	SS
5500-2	3466	3638	4741	N/A
5500-3	3912	4160	5421	N/A
5500-4	4228	4491	5852	N/A



- 2pc. Suite Soap/Lotion Dispenser (4060)
- 3pc. Suite includes Soap/Lotion Dispenser (4060) and Air Switch (4010)
- 4pc. Suite includes Soap/Lotion Dispenser (4060), Air Switch (4010) and Single Port Air Gap (4020)

FINISH GROUP 1: CH
FINISH GROUP 2: BLN, CHB, CLZ, GR, MB, MW, PB, PN, SB, SC, SN, UPB
FINISH GROUP 3: AB, ABZ, AC, AMB, AP, CB, DAB, DAC, DAMB, DAP, MAB, MAC, MAP, ORB, PC, TB

PRECIOUS METALS: PG, SG - 30% increase from Group 3*
STAINLESS STEEL: SS
SPLIT FINISHES: SEE PAGE 32

*Pricing subject to change

TRADITIONAL PLP PULLDOWN FAUCET / LEVER SPRAYER

LIST PRICES:

MODEL #	GRP 1	GRP 2	GRP 3	SS
5600	2758	2898	3775	N/A

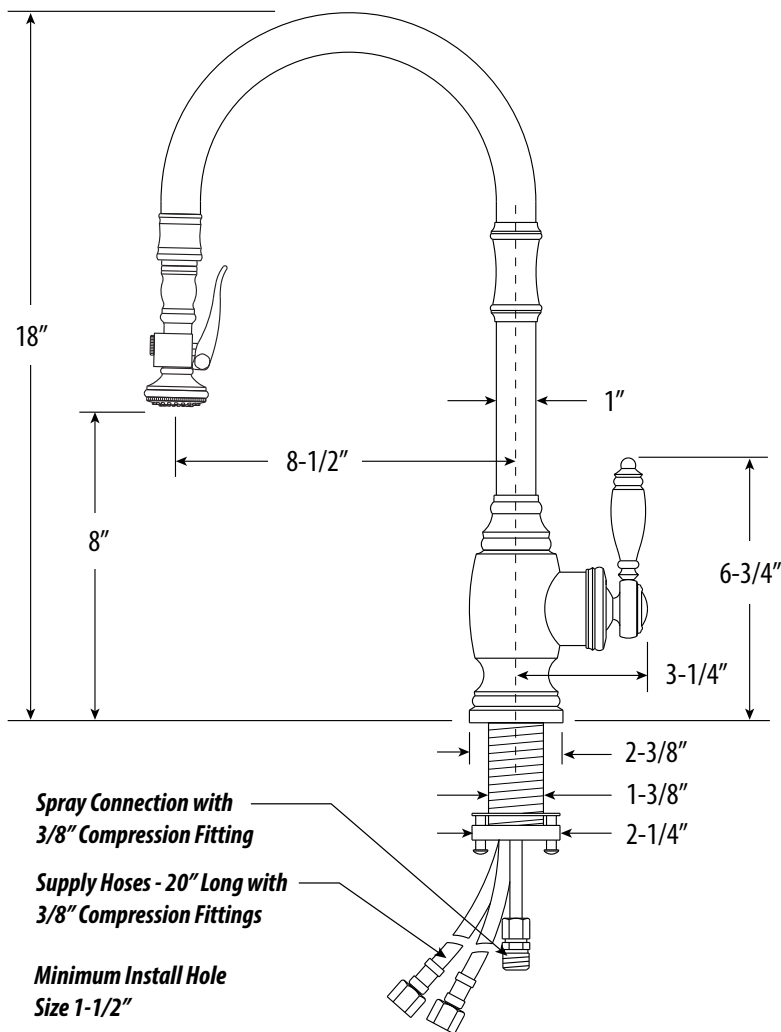
FEATURES:

- "Positive Lock Pulldown" design locks sprayer in place when not in use.
- Spout has 8-1/2" reach and can swivel 360 degrees.
- Lever handle spray head pulls out 18" from spout.
- Counterbalanced weight on spray hose allows smooth pull out and prevents snap back.
- Sprayer instantly diverts water from aerated stream to wide spray when lever handle is held.
- 1.75 gpm maximum flow rate with aerated tip.
- Hot/cold ceramic disk valve cartridge.
- Compatible with reverse osmosis water and systems.
- Made from eco-friendly solid brass.



MEETS THE FOLLOWING:

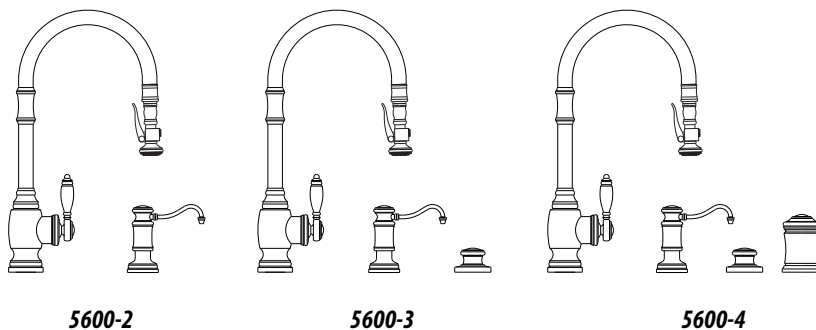
- ASME A112.18.1
- CSA B125.1
- NSF 61, 372
- CALGreen



5600 SUITES

SUITE LIST PRICES:

MODEL #	GRP 1	GRP 2	GRP 3	SS
5600-2	3322	3490	4546	N/A
5600-3	3768	4012	5226	N/A
5600-4	4084	4343	5657	N/A



- 2pc. Suite Soap/Lotion Dispenser (4060)
- 3pc. Suite includes Soap/Lotion Dispenser (4060) and Air Switch (4010)
- 4pc. Suite includes Soap/Lotion Dispenser (4060), Air Switch (4010) and Single Port Air Gap (4020)

FINISH GROUP 1: CH
FINISH GROUP 2: BLN, CHB, CLZ, GR, MB, MW, PB, PN, SB, SC, SN, UPB
FINISH GROUP 3: AB, ABZ, AC, AMB, AP, CB, DAB, DAC, DAMB, DAP, MAB, MAC, MAP, ORB, PC, TB

PRECIOUS METALS: PG, SG - 30% increase from Group 3*
STAINLESS STEEL: SS
SPLIT FINISHES: SEE PAGE 32

*Pricing subject to change

TRADITIONAL PLP PULLDOWN FAUCET / ANGLED SPOUT / LEVER SPRAYER

LIST PRICES:

MODEL #	GRP 1	GRP 2	GRP 3	SS
5610	2841	2982	3887	N/A

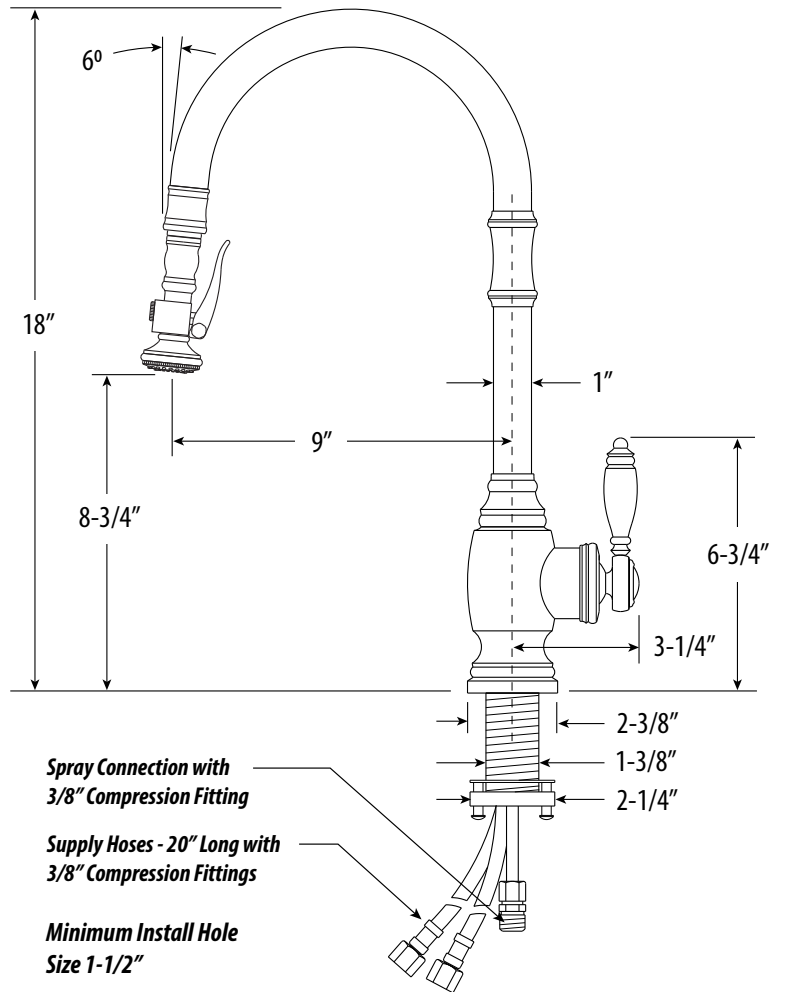
FEATURES:

- "Positive Lock Pulldown" design locks sprayer in place when not in use.
- 6 degree angled spout flows outward towards middle of sink.
- Spout has 9" reach and can swivel 360 degrees.
- Lever handle spray head pulls out 18" from spout.
- Counterbalanced weight on spray hose allows smooth pull out and prevents snap back.
- Sprayer instantly diverts water from aerated stream to wide spray when lever handle is held.
- 1.75 gpm maximum flow rate with aerated tip.



MEETS THE FOLLOWING:

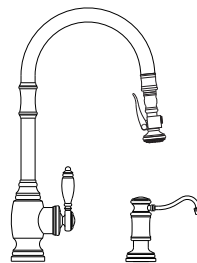
- ASME A112.18.1
- CSA B125.1
- NSF 61, 372
- CALGreen



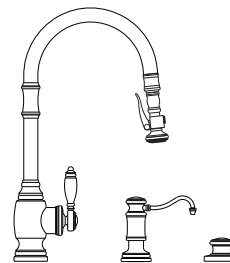
5610 SUITES

SUITE LIST PRICES:

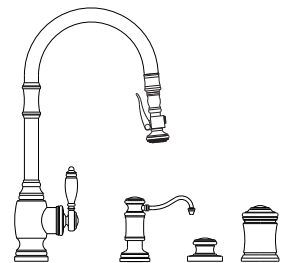
MODEL #	GRP 1	GRP 2	GRP 3	SS
5610-2	3405	3574	4658	N/A
5610-3	3851	4096	5338	N/A
5610-4	4167	4427	5769	N/A



5610-2



5610-3



5610-4

2pc. Suite Soap/Lotion Dispenser (4060)

3pc. Suite includes Soap/Lotion Dispenser (4060) and Air Switch (4010)

4pc. Suite includes Soap/Lotion Dispenser (4060), Air Switch (4010) and Single Port Air Gap (4020)

FINISH GROUP 1: CH

FINISH GROUP 2: BLN, CHB, CLZ, GR, MB, MW, PB, PN, SB, SC, SN, UPB

FINISH GROUP 3: AB, ABZ, AC, AMB, AP, CB, DAB, DAC, DAMB, DAP, MAB, MAC, MAP, ORB, PC, TB

PRECIOUS METALS: PG, SG - 30% increase from Group 3*

STAINLESS STEEL: SS

SPLIT FINISHES: SEE PAGE 32

*Pricing subject to change

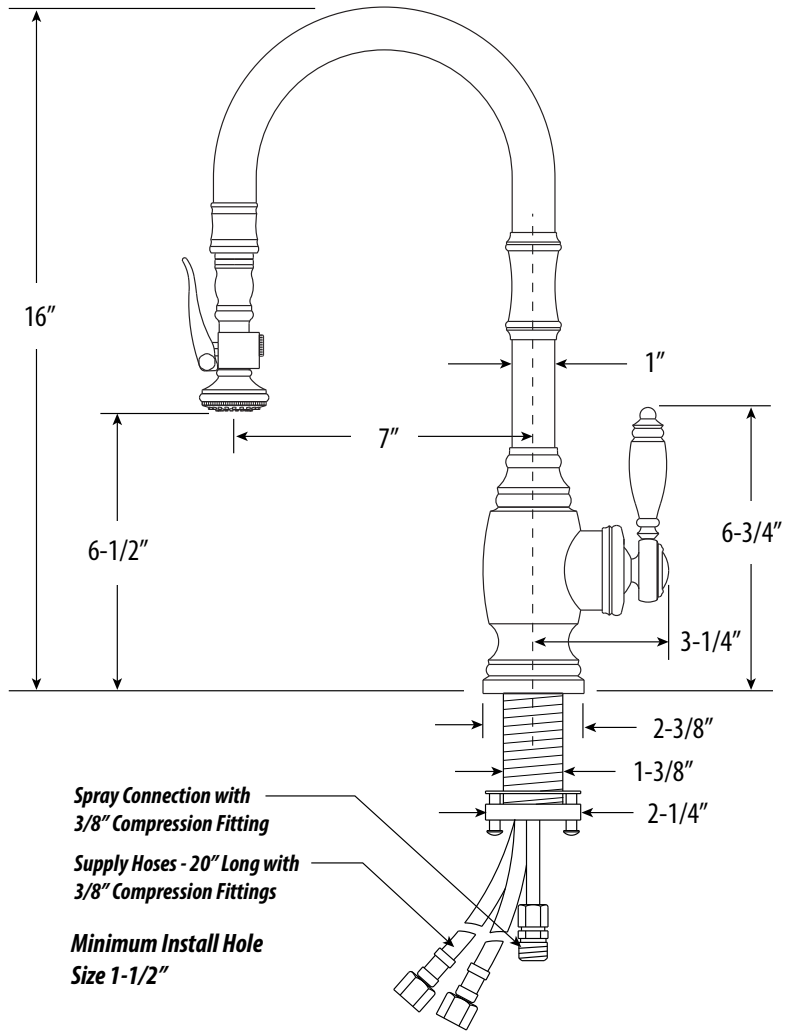
TRADITIONAL PREP SIZE PLP PULLDOWN FAUCET / LEVER SPRAYER

LIST PRICES:

MODEL #	GRP 1	GRP 2	GRP 3	SS
5200	2653	2784	3628	N/A

FEATURES:

- Smaller food prep version of standard reach PLP Pulldown Faucet.
- "Positive Lock Pulldown" design locks sprayer in place when not in use.
- Spout has 7" reach and can swivel 360 degrees.
- Lever handle spray head pulls out 18" from spout.
- Sprayer instantly diverts water from aerated stream to wide spray when lever handle is held.
- 1.75 gpm maximum flow rate with aerated tip.
- Hot/cold ceramic disk valve cartridge.
- Compatible with reverse osmosis water and systems.
- Made from eco-friendly solid brass.



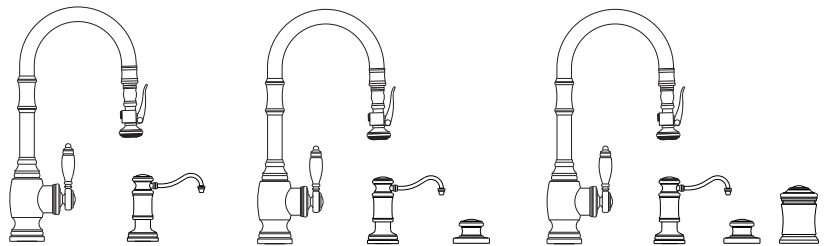
MEETS THE FOLLOWING:

- ASME A112.18.1
- CSA B125.1
- NSF 61, 372
- CALGreen

5200 SUITES

SUITE LIST PRICES:

MODEL #	GRP 1	GRP 2	GRP 3	SS
5200-2	3217	3376	4399	N/A
5200-3	3713	3898	5079	N/A
5200-4	4029	4229	5510	N/A



5200-2

5200-3

5200-4

2pc. Suite Soap/Lotion Dispenser (4060)

3pc. Suite includes Soap/Lotion Dispenser (4060) and Air Switch (4010)

4pc. Suite includes Soap/Lotion Dispenser (4060), Air Switch (4010) and Single Port Air Gap (4020)

FINISH GROUP 1: CH

FINISH GROUP 2: BLN, CHB, CLZ, GR, MB, MW, PB, PN, SB, SC, SN, UPB

FINISH GROUP 3: AB, ABZ, AC, AMB, AP, CB, DAB, DAC, DAMB, DAP, MAB, MAC, MAP, ORB, PC, TB

PRECIOUS METALS: PG, SG - 30% increase from Group 3*

STAINLESS STEEL: SS

SPLIT FINISHES: SEE PAGE 32

*Pricing subject to change

TRADITIONAL PREP SIZE PLP PULLDOWN FAUCET / ANGLED SPOUT / LEVER SPRAYER

LIST PRICES:

MODEL #	GRP 1	GRP 2	GRP 3	SS
5210	2730	2865	3734	N/A

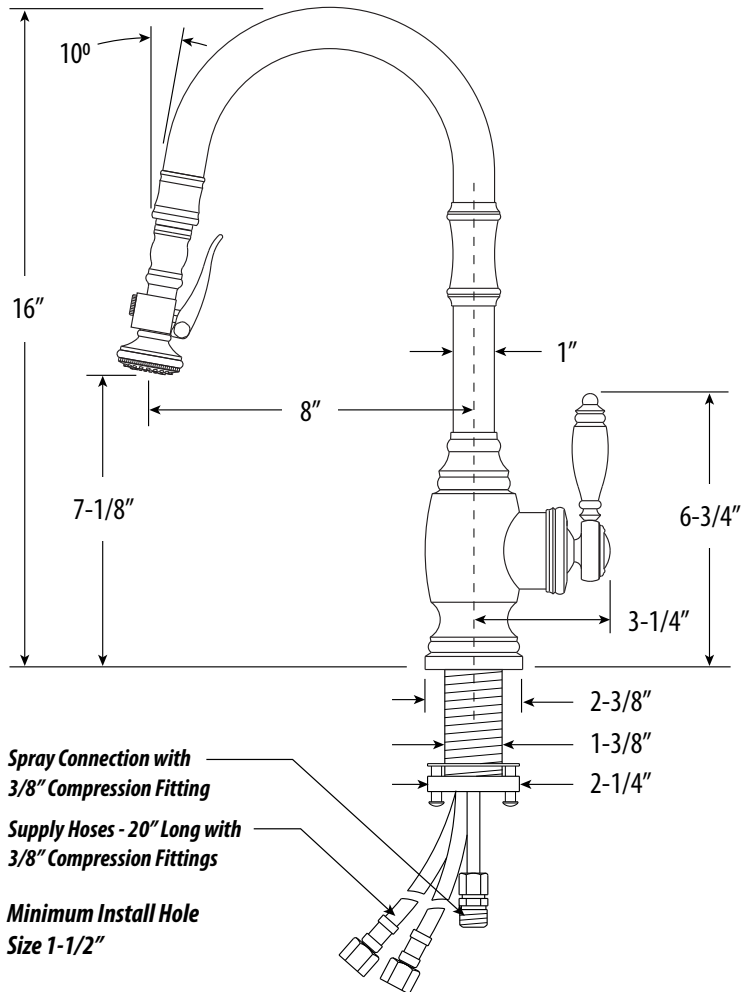
FEATURES:

- Smaller food prep version of standard reach PLP Pulldown.
- 10 degree angled spout direct water flows towards middle of sink.
- "Positive Lock Pulldown" design locks sprayer in place when not in use.
- Spout has 8" reach and can swivel 360 degrees.
- Lever handle spray head pulls out 18" from spout.
- Counterbalanced weight on spray hose allows smooth pull out and prevents snap back.
- Sprayer instantly diverts water from aerated stream to wide spray when lever handle is held.
- 1.75 gpm maximum flow rate with aerated tip.
- Hot/cold ceramic disk valve cartridge.
- Compatible with reverse osmosis water and systems.



MEETS THE FOLLOWING:

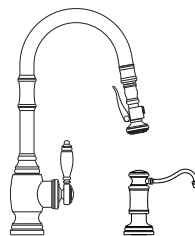
- ASME A112.18.1
- CSA B125.1
- NSF 61, 372
- CALGreen



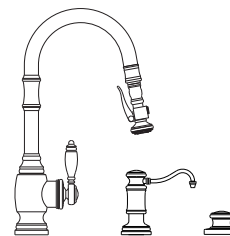
5210 SUITES

SUITE LIST PRICES:

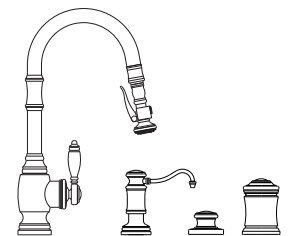
MODEL #	GRP 1	GRP 2	GRP 3	SS
5210-2	3294	3457	4505	N/A
5210-3	3740	3979	5185	N/A
5210-4	4056	4310	5616	N/A



5210-2



5210-3



5210-4

2pc. Suite Soap/Lotion Dispenser (4060)

3pc. Suite includes Soap/Lotion Dispenser (4060) and Air Switch (4010)

4pc. Suite includes Soap/Lotion Dispenser (4060), Air Switch (4010) and Single Port Air Gap (4020)

FINISH GROUP 1: CH

FINISH GROUP 2: BLN, CHB, CLZ, GR, MB, MW, PB, PN, SB, SC, SN, UPB

FINISH GROUP 3: AB, ABZ, AC, AMB, AP, CB, DAB, DAC, DAMB, DAP, MAB, MAC, MAP, ORB, PC, TB

PRECIOUS METALS: PG, SG - 30% increase from Group 3*

STAINLESS STEEL: SS

SPLIT FINISHES: SEE PAGE 32

*Pricing subject to change

CONTEMPORARY PLP PULLDOWN FAUCETS

TOGGLE SPRAYERS



*PLP Pulldown Faucet - 5300
(pg. 70)*



*PLP Pulldown Faucet - 5400
(pg. 72)*



*PLP Pulldown Faucet - 5410
(pg. 74)*



*Prep Size PLP Pulldown Faucet - 5900
(pg. 76)*



*Prep Size PLP Pulldown Faucet - 5910
(pg. 78)*

LEVER SPRAYERS



*PLP Pulldown Faucet - 5700
(pg. 71)*



*PLP Pulldown Faucet - 5800
(pg. 73)*



*PLP Pulldown Faucet - 5810
(pg. 75)*



*Prep Size PLP Pulldown Faucet - 5930
(pg. 77)*



*Prep Size PLP Pulldown Faucet - 5940
(pg. 79)*

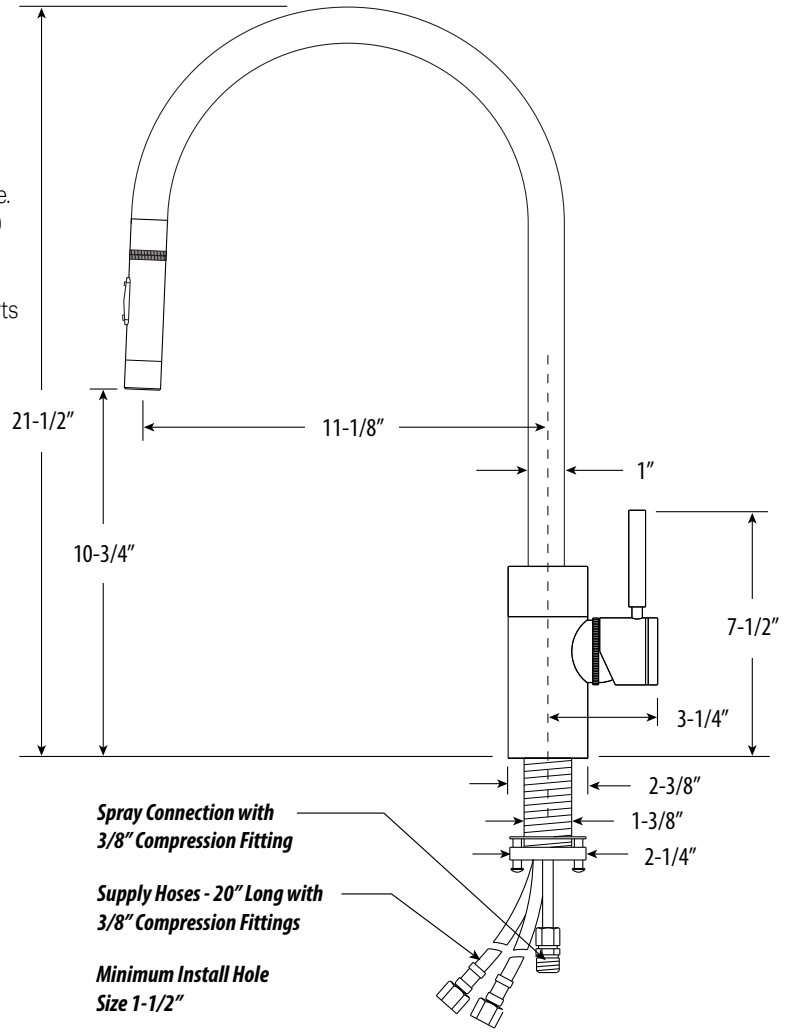
CONTEMPORARY EXTENDED REACH PLP PULLDOWN FAUCET / TOGGLE SPRAYER

LIST PRICES:

MODEL #	GRP 1	GRP 2	GRP 3	SS
5300	2947	3093	4032	4140

FEATURES:

- "Positive Lock Pulldown" design locks sprayer in place when not in use.
- Spout has 11-1/8" extended reach for larger sinks and can swivel 360 degrees.
- Toggle handle spray head pulls out 18" from spout.
- When pushed, sprayer toggle button locks in place and instantly diverts water from aerated stream to wide spray.
- 1.75 gpm maximum flow rate with aerated tip.
- Hot/cold ceramic disk valve cartridge.
- Compatible with reverse osmosis water and systems.
- Made from eco-friendly solid brass or 316 stainless steel.



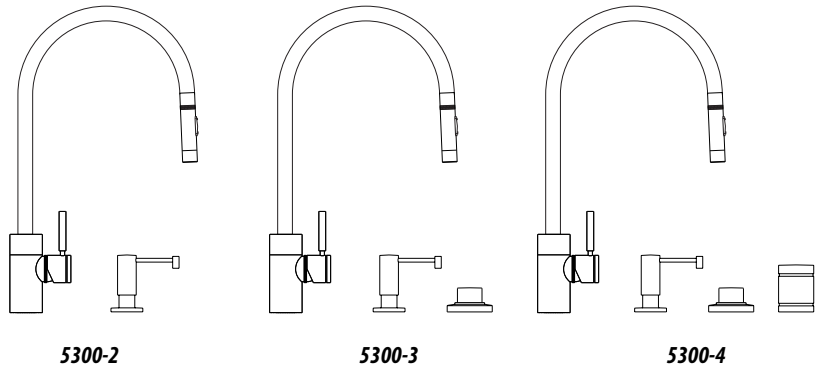
MEETS THE FOLLOWING:

- ASME A112.18.1
- CSA B125.1
- NSF 61, 372
- CALGreen

5300 SUITES

SUITE LIST PRICES:

MODEL #	GRP 1	GRP 2	GRP 3	SS
5300-2	3424	3594	4685	4810
5300-3	3873	4066	5300	5442
5300-4	4158	4365	5689	5842



- 2pc. Suite Soap/Lotion Dispenser (4065)
- 3pc. Suite includes Soap/Lotion Dispenser (4065) and Air Switch (3010)
- 4pc. Suite includes Soap/Lotion Dispenser (4065), Air Switch (3010) and Single Port Air Gap (3020)

FINISH GROUP 1: CH
FINISH GROUP 2: BLN, CHB, CLZ, GR, MB, MW, PB, PN, SB, SC, SN, UPB
FINISH GROUP 3: AB, ABZ, AC, AMB, AP, CB, DAB, DAC, DAMB, DAP, MAB, MAC, MAP, ORB, PC, TB

PRECIOUS METALS: PG, SG - 30% increase from Group 3*
STAINLESS STEEL: SS
SPLIT FINISHES: SEE PAGE 32

*Pricing subject to change

CONTEMPORARY EXTENDED REACH PLP PULLDOWN FAUCET / LEVER SPRAYER

FAUCET AND SUITE LIST PRICES:

MODEL #	GRP 1	GRP 2	GRP 3	SS
5700	3021	3171	4132	4245

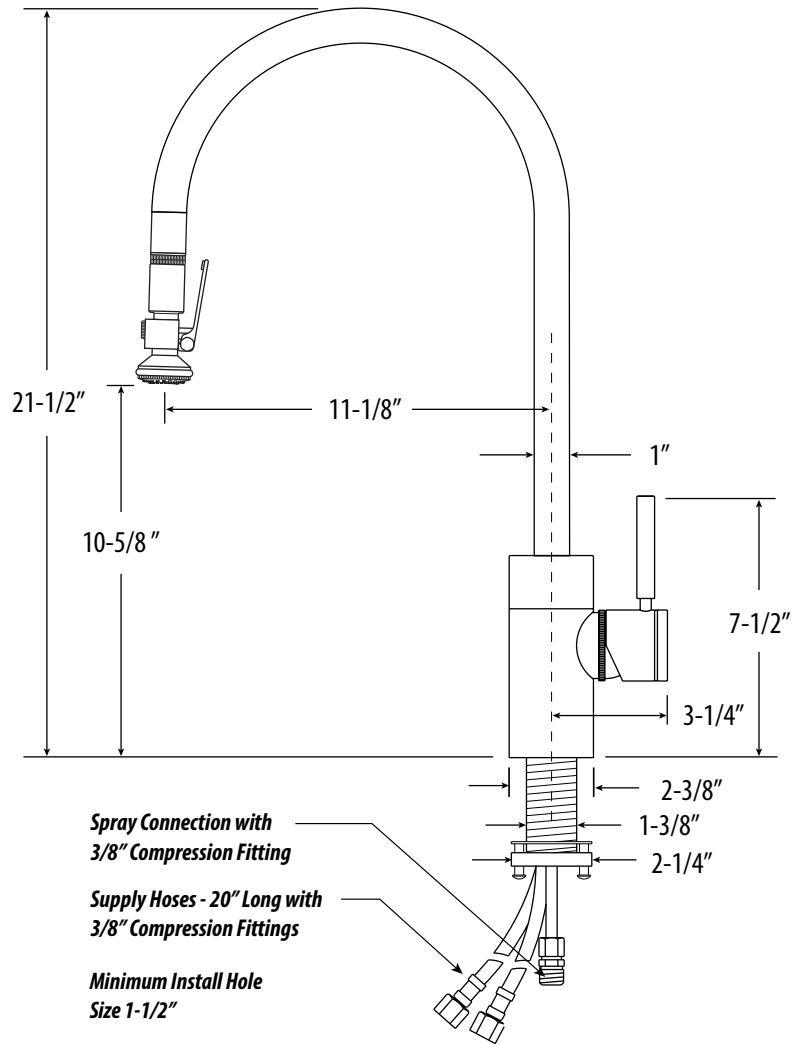
FEATURES:

- "Positive Lock Pulldown" design locks sprayer in place when not in use.
- Spout has 11-1/8" extended reach for larger sinks and can swivel 360 degrees.
- Lever handle spray head pulls out 18" from spout.
- 1.75 gpm maximum flow rate with aerated tip.
- Hot/cold ceramic disk valve cartridge.
- Compatible with reverse osmosis water and systems.
- Hot/cold ceramic disk valve cartridge.



MEETS THE FOLLOWING:

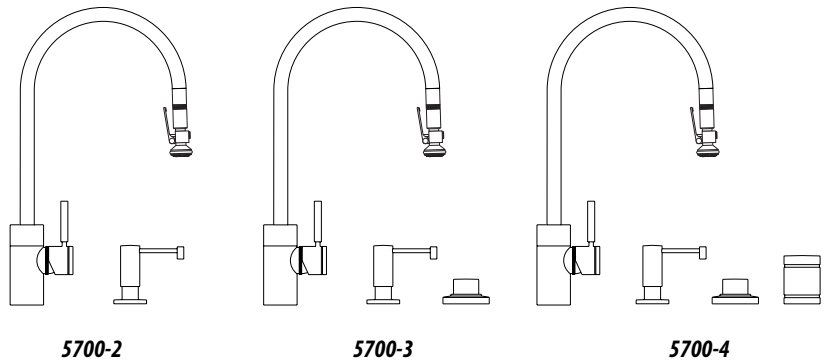
- ASME A112.18.1
- CSA B125.1
- NSF 61, 372
- CALGreen



5700 SUITES

SUITE LIST PRICES:

MODEL #	GRP 1	GRP 2	GRP 3	SS
5700-2	3498	3672	4785	4915
5700-3	3947	4144	5400	5547
5700-4	4232	4443	5789	5947



- 2pc. Suite Soap/Lotion Dispenser (4065)
- 3pc. Suite includes Soap/Lotion Dispenser (4065) and Air Switch (3010)
- 4pc. Suite includes Soap/Lotion Dispenser (4065), Air Switch (3010) and Single Port Air Gap (3020)

FINISH GROUP 1: CH
FINISH GROUP 2: BLN, CHB, CLZ, GR, MB, MW, PB, PN, SB, SC, SN, UPB
FINISH GROUP 3: AB, ABZ, AC, AMB, AP, CB, DAB, DAC, DAMB, DAP, MAB, MAC, MAP, ORB, PC, TB

PRECIOUS METALS: PG, SG - 30% increase from Group 3*
STAINLESS STEEL: SS
SPLIT FINISHES: SEE PAGE 32

*Pricing subject to change

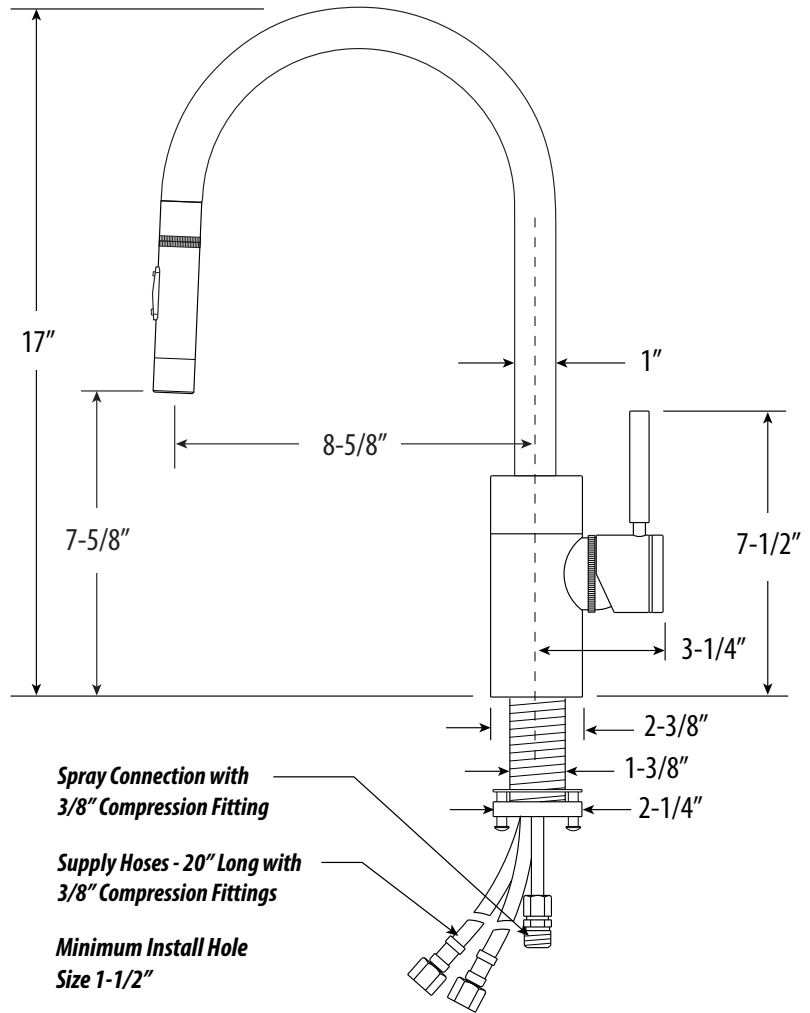
CONTEMPORARY PLP PULLDOWN FAUCET / TOGGLE SPRAYER

LIST PRICES:

MODEL #	GRP 1	GRP 2	GRP 3	SS
5400	2657	2789	3636	3733

FEATURES:

- "Positive Lock Pulldown" design locks sprayer in place when not in use.
- Spout has 8-5/8" reach and can swivel 360 degrees.
- Toggle handle spray head pulls out 18" from spout.
- When pushed, sprayer toggle button locks in place and instantly diverts water from aerated stream to wide spray.
- 1.75 gpm maximum flow rate with aerated tip.
- Hot/cold ceramic disk valve cartridge.
- Compatible with reverse osmosis water and systems.
- Made from eco-friendly solid brass or 316 stainless steel.



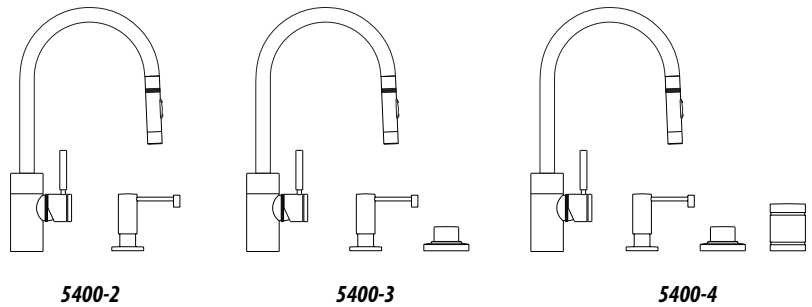
MEETS THE FOLLOWING:

- ASME A112.18.1
- CSA B125.1
- NSF 61, 372
- CALGreen

5400 SUITES

SUITE LIST PRICES:

MODEL #	GRP 1	GRP 2	GRP 3	SS
5400-2	3134	3290	4289	4403
5400-3	3583	3762	4904	5035
5400-4	3868	4061	5293	5435



- 2pc. Suite Soap/Lotion Dispenser (4065)
- 3pc. Suite includes Soap/Lotion Dispenser (4065) and Air Switch (3010)
- 4pc. Suite includes Soap/Lotion Dispenser (4065), Air Switch (3010) and Single Port Air Gap (3020)

FINISH GROUP 1: CH
FINISH GROUP 2: BLN, CHB, CLZ, GR, MB, MW, PB, PN, SB, SC, SN, UPB
FINISH GROUP 3: AB, ABZ, AC, AMB, AP, CB, DAB, DAC, DAMB, DAP, MAB, MAC, MAP, ORB, PC, TB

PRECIOUS METALS: PG, SG - 30% increase from Group 3*
STAINLESS STEEL: SS
SPLIT FINISHES: SEE PAGE 32

*Pricing subject to change

CONTEMPORARY PLP PULLDOWN FAUCET / LEVER SPRAYER

LIST PRICES:

MODEL #	GRP 1	GRP 2	GRP 3	SS
5800	2902	3046	3970	4077

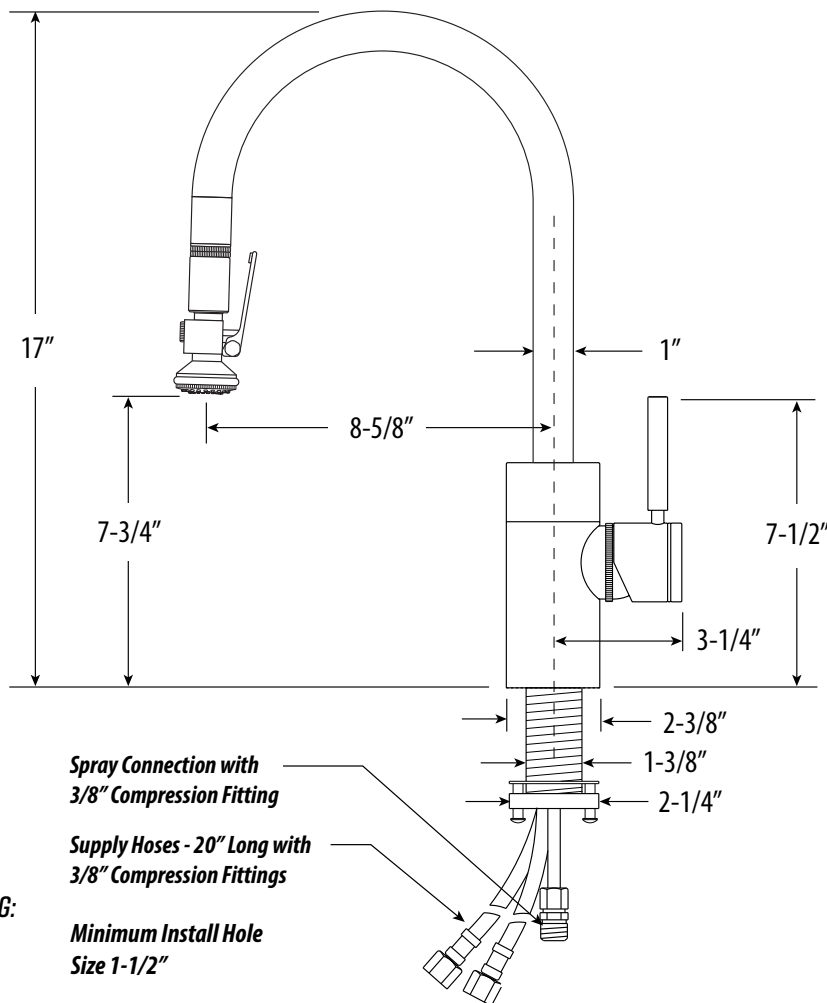
FEATURES:

- "Positive Lock Pulldown" design locks sprayer in place when not in use.
- Spout has 8-5/8" reach and swivels 360 degrees.
- Lever handle spray head pulls out 18" from spout.
- Sprayer instantly diverts water from aerated stream to wide spray when lever handle is held.
- 1.75 gpm maximum flow rate with aerated tip.
- Hot/cold ceramic disk valve cartridge.
- Compatible with reverse osmosis water and systems.
- Made from eco-friendly solid brass or 316 stainless steel.



MEETS THE FOLLOWING:

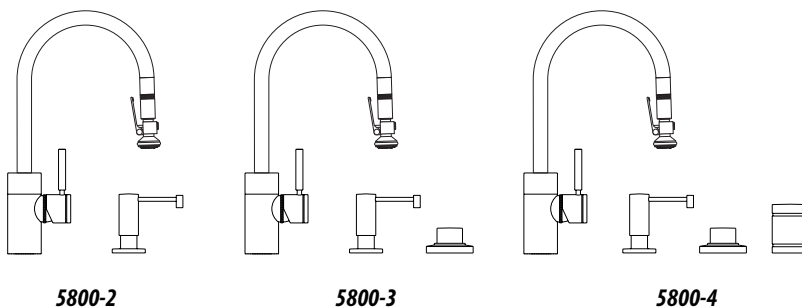
- ASME A112.18.1
- CSA B125.1
- NSF 61, 372
- CALGreen



5800 SUITES

SUITE LIST PRICES:

MODEL #	GRP 1	GRP 2	GRP 3	SS
5800-2	3379	3547	4623	4747
5800-3	3828	4019	5238	5379
5800-4	4113	4318	5627	5779



- 2pc. Suite Soap/Lotion Dispenser (4065)
- 3pc. Suite includes Soap/Lotion Dispenser (4065) and Air Switch (3010)
- 4pc. Suite includes Soap/Lotion Dispenser (4065), Air Switch (3010) and Single Port Air Gap (3020)

FINISH GROUP 1: CH
FINISH GROUP 2: BLN, CHB, CLZ, GR, MB, MW, PB, PN, SB, SC, SN, UPB
FINISH GROUP 3: AB, ABZ, AC, AMB, AP, CB, DAB, DAC, DAMB, DAP, MAB, MAC, MAP, ORB, PC, TB

PRECIOUS METALS: PG, SG - 30% increase from Group 3*
STAINLESS STEEL: SS
SPLIT FINISHES: SEE PAGE 32

*Pricing subject to change

CONTEMPORARY PLP PULLDOWN FAUCET / ANGLED SPOUT / TOGGLE SPRAYER

LIST PRICES:

MODEL #	GRP 1	GRP 2	GRP 3	SS
5410	2734	2871	3741	3842

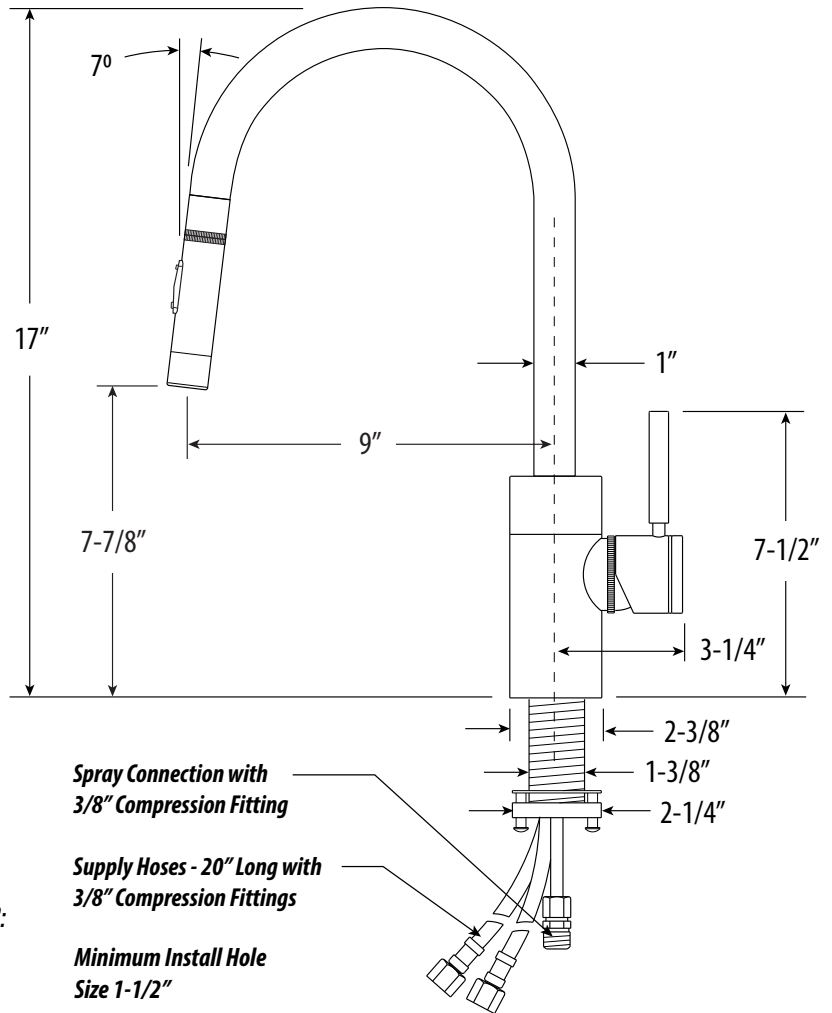
FEATURES:

- "Positive Lock Pulldown" design locks sprayer in place when not in use.
- 7 degree angled spout directs water flows towards middle of sink.
- Spout has 9" reach and can swivel 360 degrees.
- Toggle handle spray head pulls out 18" from spout.
- When pushed, sprayer toggle button locks in place and instantly diverts water from aerated stream to wide spray.
- 1.75 gpm maximum flow rate with aerated tip.
- Hot/cold ceramic disk valve cartridge.
- Compatible with reverse osmosis water and systems.
- Made from eco-friendly solid brass or 316 stainless steel.



MEETS THE FOLLOWING:

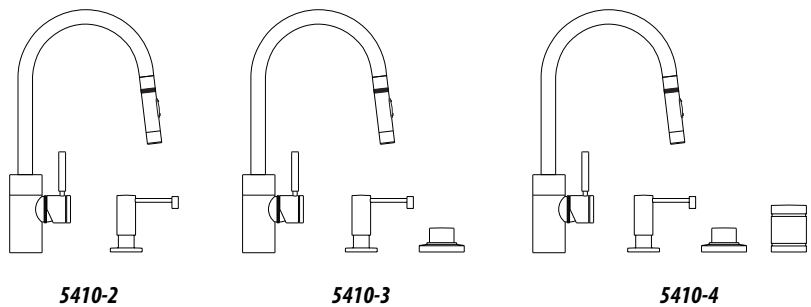
- ASME A112.18.1
- CSA B125.1
- NSF 61, 372
- CALGreen



5410 SUITES

SUITE LIST PRICES:

MODEL #	GRP 1	GRP 2	GRP 3	SS
5410-2	3211	3372	4394	4512
5410-3	3660	3844	5009	5144
5410-4	3945	4143	5398	5544



2pc. Suite Soap/Lotion Dispenser (4065)
 3pc. Suite includes Soap/Lotion Dispenser (4065) and Air Switch (3010)
 4pc. Suite includes Soap/Lotion Dispenser (4065), Air Switch (3010) and Single Port Air Gap (3020)

FINISH GROUP 1: CH
FINISH GROUP 2: BLN, CHB, CLZ, GR, MB, MW, PB, PN, SB, SC, SN, UPB
FINISH GROUP 3: AB, ABZ, AC, AMB, AP, CB, DAB, DAC, DAMB, DAP, MAB, MAC, MAP, ORB, PC, TB

PRECIOUS METALS: PG, SG - 30% increase from Group 3*
STAINLESS STEEL: SS
SPLIT FINISHES: SEE PAGE 32

*Pricing subject to change

CONTEMPORARY PLP PULLDOWN FAUCET / ANGLED SPOUT / LEVER SPRAYER

LIST PRICES:

MODEL #	GRP 1	GRP 2	GRP 3	SS
5810	2991	3139	4092	4202

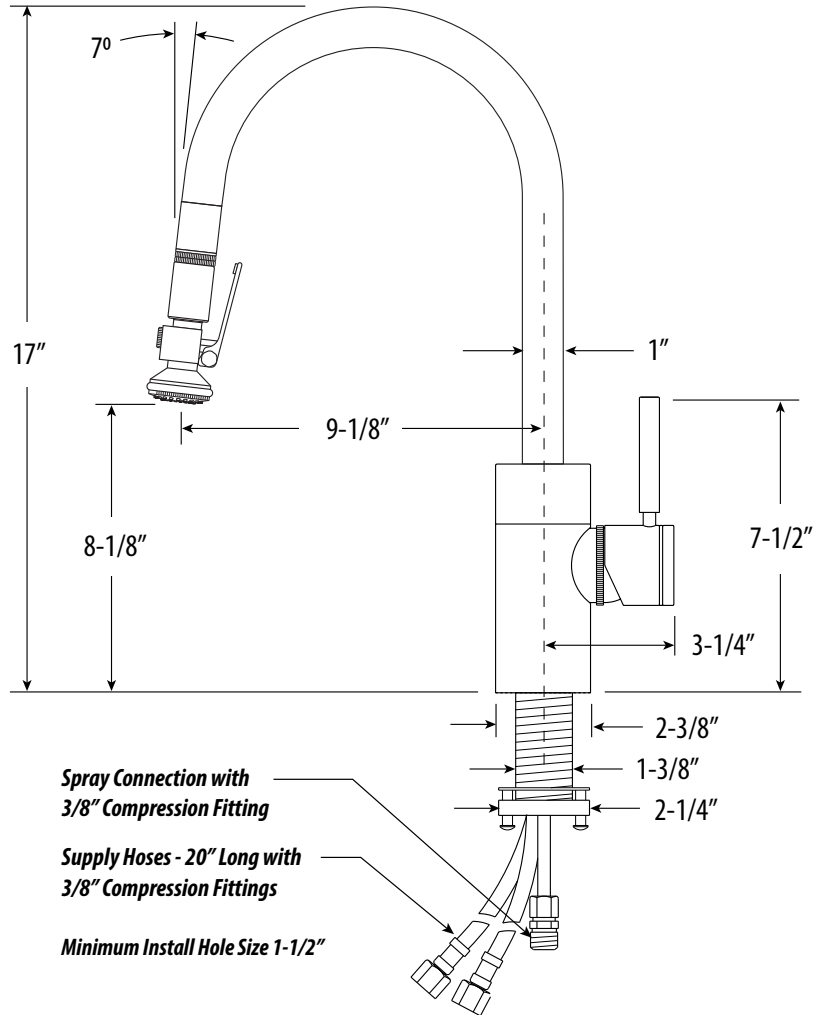
FEATURES:

- "Positive Lock Pulldown" design locks sprayer in place when not in use.
- 7 degree angled spout flows outward towards middle of sink.
- Spout has 9-1/8" reach and can swivel 360 degrees.
- Lever handle spray head pulls out 18" from spout.
- Sprayer instantly diverts water from aerated stream to wide spray when lever handle is held.
- 1.75 gpm maximum flow rate with aerated tip.
- Hot/cold ceramic disk valve cartridge.
- Compatible with reverse osmosis water and systems.
- Made from eco-friendly solid brass or 316 stainless steel.



MEETS THE FOLLOWING:

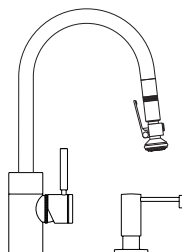
- ASME A112.18.1
- CSA B125.1
- NSF 61, 372
- CALGreen



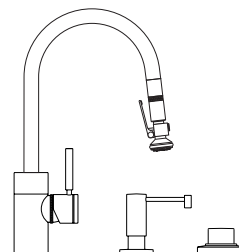
5810 SUITES

SUITE LIST PRICES:

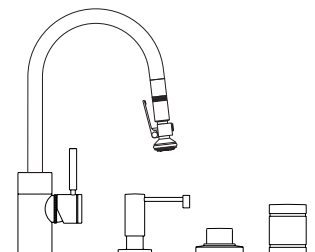
MODEL #	GRP 1	GRP 2	GRP 3	SS
5810-2	3468	3640	4745	4872
5810-3	3917	4112	5360	5504
5810-4	4202	4411	5749	5904



5810-2



5810-3



5810-4

2pc. Suite Soap/Lotion Dispenser (4065)

3pc. Suite includes Soap/Lotion Dispenser (4065) and Air Switch (3010)

4pc. Suite includes Soap/Lotion Dispenser (4065), Air Switch (3010) and Single Port Air Gap (3020)

FINISH GROUP 1: CH

FINISH GROUP 2: BLN, CHB, CLZ, GR, MB, MW, PB, PN, SB, SC, SN, UPB

FINISH GROUP 3: AB, ABZ, AC, AMB, AP, CB, DAB, DAC, DAMB, DAP, MAB, MAC, MAP, ORB, PC, TB

PRECIOUS METALS: PG, SG - 30% increase from Group 3*

STAINLESS STEEL: SS

SPLIT FINISHES: SEE PAGE 32

*Pricing subject to change

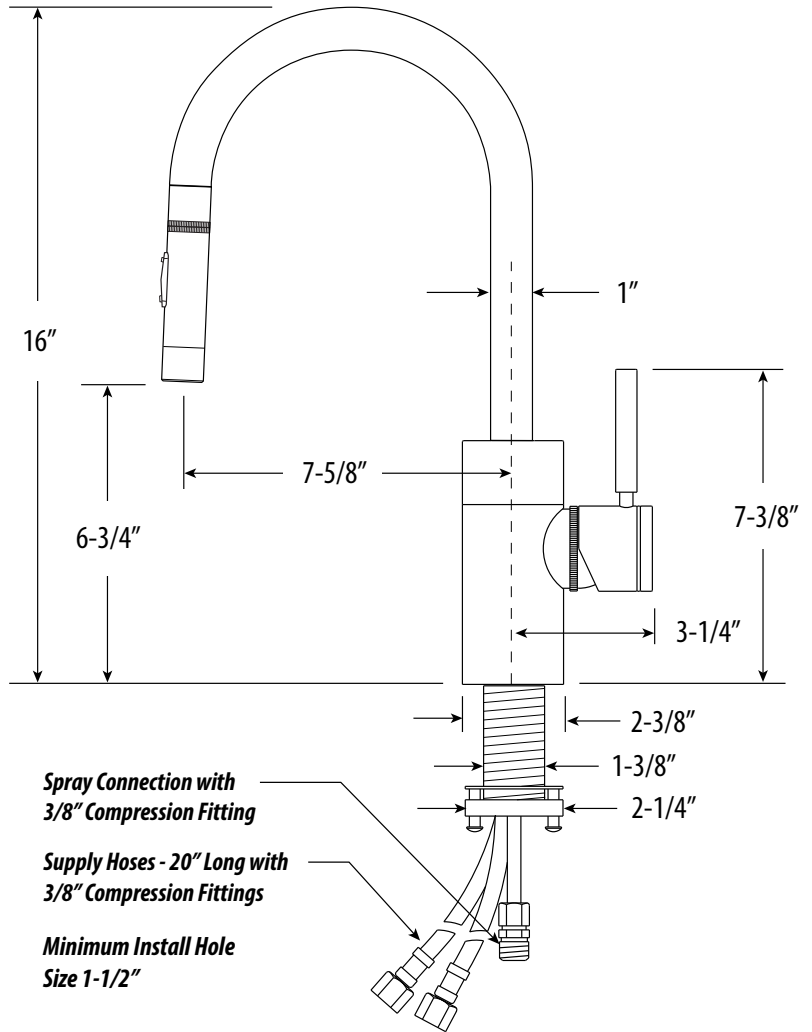
CONTEMPORARY PREP SIZE PLP PULLDOWN FAUCET / TOGGLE SPRAYER

LIST PRICES:

MODEL #	GRP 1	GRP 2	GRP 3	SS
5900	2644	2777	3619	3716

FEATURES:

- Smaller food prep version of standard reach PLP Pulldown.
- "Positive Lock Pulldown" design locks sprayer in place when not in use.
- Spout has 7-5/8" reach and can swivel 360 degrees.
- Toggle handle spray head pulls out 18" from spout.
- Counterbalanced weight on spray hose allows smooth pull out and prevents snap back.
- When pushed, sprayer toggle button locks in place and instantly diverts water from aerated stream to wide spray.
- 1.75 gpm maximum flow rate with aerated tip.
- Hot/cold ceramic disk valve cartridge.
- Compatible with reverse osmosis water and systems.
- Made from eco-friendly solid brass or 316 stainless steel.



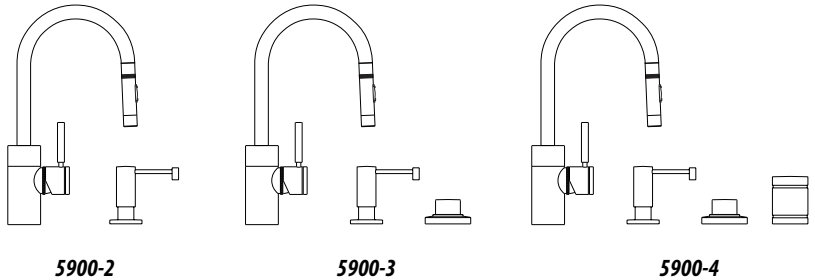
MEETS THE FOLLOWING:

- ASME A112.18.1
- CSA B125.1
- NSF 61, 372
- CALGreen

5900 SUITES

SUITE LIST PRICES:

MODEL #	GRP 1	GRP 2	GRP 3	SS
5900-2	3121	3278	4272	4386
5900-3	3570	3750	4887	5018
5900-4	3855	4049	5276	5418



- 2pc. Suite Soap/Lotion Dispenser (4065)
- 3pc. Suite includes Soap/Lotion Dispenser (4065) and Air Switch (3010)
- 4pc. Suite includes Soap/Lotion Dispenser (4065), Air Switch (3010) and Single Port Air Gap (3020)

FINISH GROUP 1: CH
FINISH GROUP 2: BLN, CHB, CLZ, GR, MB, MW, PB, PN, SB, SC, SN, UPB
FINISH GROUP 3: AB, ABZ, AC, AMB, AP, CB, DAB, DAC, DAMB, DAP, MAB, MAC, MAP, ORB, PC, TB

PRECIOUS METALS: PG, SG - 30% increase from Group 3*
STAINLESS STEEL: SS
SPLIT FINISHES: SEE PAGE 32

*Pricing subject to change

CONTEMPORARY PREP SIZE PLP PULLDOWN FAUCET / LEVER SPRAYER

LIST PRICES:

MODEL #	GRP 1	GRP 2	GRP 3	SS
5930	2789	2930	3817	3921

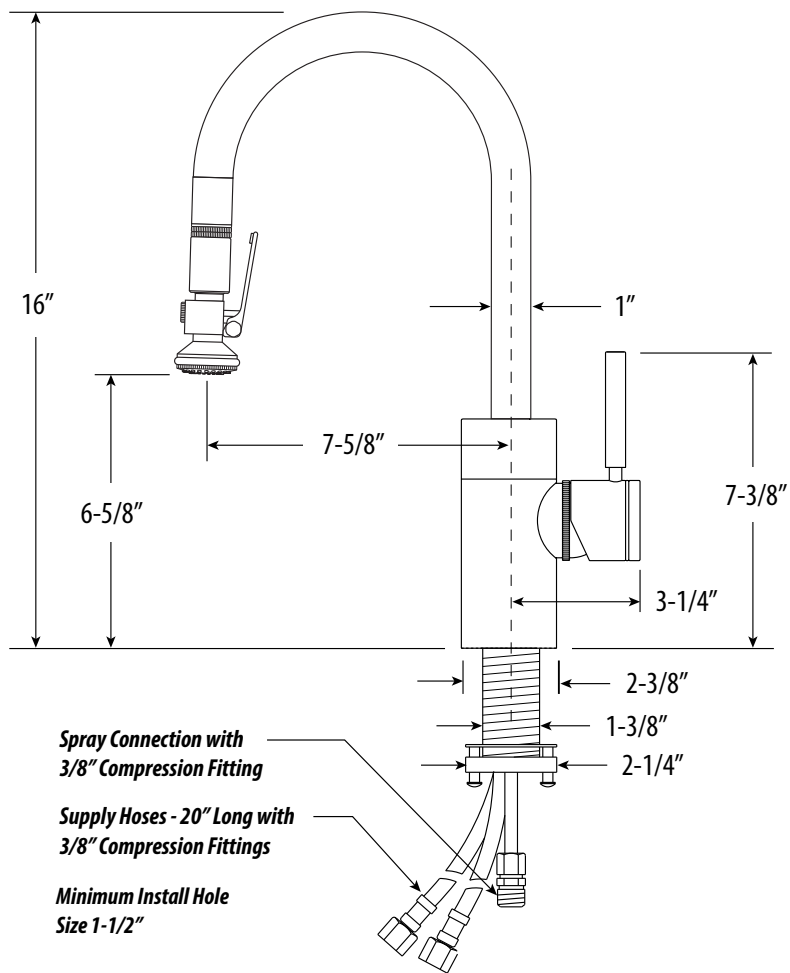
FEATURES:

- Smaller food prep version of the standard reach PLP Pulldown.
- "Positive Lock Pulldown" design locks sprayer in place when not in use.
- Spout has 7-5/8" reach and can swivel 360 degrees.
- Lever handle spray head pulls out 18" from spout.
- Counterbalanced weight on spray hose allows smooth pull out and prevents snap back.
- Sprayer instantly diverts water from aerated stream to wide spray when lever handle is held.
- 1.75 gpm maximum flow rate with aerated tip.
- Hot/cold ceramic disk valve cartridge.
- Compatible with reverse osmosis water and systems.
- Made from solid brass or 316 stainless steel.



MEETS THE FOLLOWING:

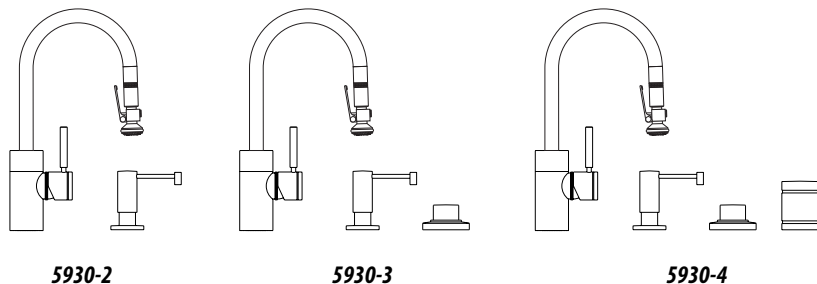
- ASME A112.18.1
- CSA B125.1
- NSF 61, 372
- CALGreen



5930 SUITES

SUITE LIST PRICES:

MODEL #	GRP 1	GRP 2	GRP 3	SS
5930-2	3266	3431	4470	4591
5930-3	3715	3903	5085	5223
5930-4	4000	4202	5474	5623



- 2pc. Suite Soap/Lotion Dispenser (4065)
- 3pc. Suite includes Soap/Lotion Dispenser (4065) and Air Switch (3010)
- 4pc. Suite includes Soap/Lotion Dispenser (4065), Air Switch (3010) and Single Port Air Gap (3020)

FINISH GROUP 1: CH
FINISH GROUP 2: BLN, CHB, CLZ, GR, MB, MW, PB, PN, SB, SC, SN, UPB
FINISH GROUP 3: AB, ABZ, AC, AMB, AP, CB, DAB, DAC, DAMB, DAP, MAB, MAC, MAP, ORB, PC, TB

PRECIOUS METALS: PG, SG - 30% increase from Group 3*
STAINLESS STEEL: SS
SPLIT FINISHES: SEE PAGE 32

*Pricing subject to change

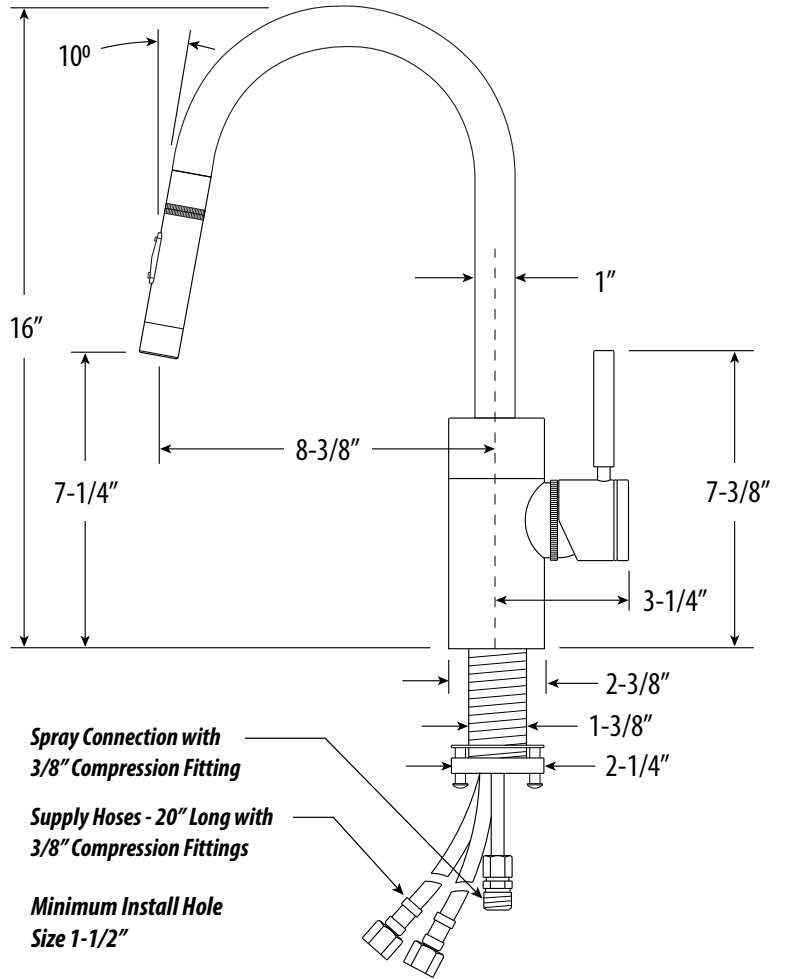
CONTEMPORARY PREP SIZE PLP PULLDOWN FAUCET / ANGLED SPOUT / TOGGLE SPRAYER

LIST PRICES:

MODEL #	GRP 1	GRP 2	GRP 3	SS
5910	2722	2859	3726	3826

FEATURES:

- Smaller food prep version of standard reach PLP Pulldown.
- 10 degree angled spout direct water flows towards middle of sink.
- "Positive Lock Pulldown" design locks sprayer in place when not in use.
- Spout has 8-3/8" reach and can swivel 360 degrees.
- Toggle handle spray head pulls out 18" from spout.
- When pushed, sprayer toggle button locks in place and instantly diverts water from aerated stream to wide spray.
- 1.75 gpm maximum flow rate with aerated tip.
- Hot/cold ceramic disk valve cartridge.
- Compatible with reverse osmosis water and systems.
- Made from eco-friendly solid brass or 316 stainless steel.



MEETS THE FOLLOWING:

- ASME A112.18.1
- CSA B125.1
- NSF 61, 372
- CALGreen

Spray Connection with 3/8" Compression Fitting

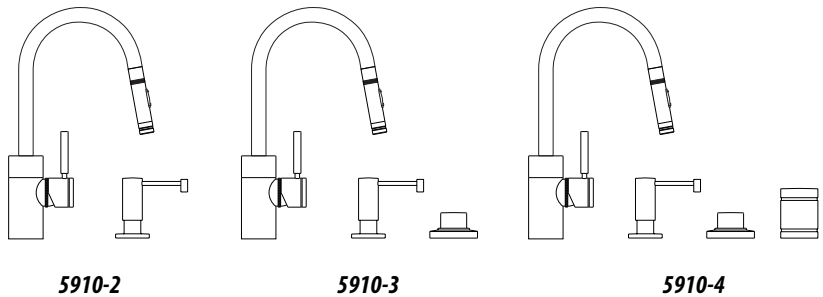
Supply Hoses - 20" Long with 3/8" Compression Fittings

Minimum Install Hole Size 1-1/2"

5910 SUITES

SUITE LIST PRICES:

MODEL #	GRP 1	GRP 2	GRP 3	SS
5910-2	3199	3360	4379	4496
5910-3	3648	3832	4994	5128
5910-4	3933	4131	5383	5528



- 2pc. Suite Soap/Lotion Dispenser (4065)
- 3pc. Suite includes Soap/Lotion Dispenser (4065) and Air Switch (3010)
- 4pc. Suite includes Soap/Lotion Dispenser (4065), Air Switch (3010) and Single Port Air Gap (3020)

FINISH GROUP 1: CH
FINISH GROUP 2: BLN, CHB, CLZ, GR, MB, MW, PB, PN, SB, SC, SN, UPB
FINISH GROUP 3: AB, ABZ, AC, AMB, AP, CB, DAB, DAC, DAMB, DAP, MAB, MAC, MAP, ORB, PC, TB

PRECIOUS METALS: PG, SG - 30% increase from Group 3*
STAINLESS STEEL: SS
SPLIT FINISHES: SEE PAGE 32

*Pricing subject to change

CONTEMPORARY PREP SIZE PLP PULLDOWN FAUCET / ANGLED SPOUT / LEVER SPRAYER

LIST PRICES:

MODEL #	GRP 1	GRP 2	GRP 3	SS
5940	2874	3017	3933	4039

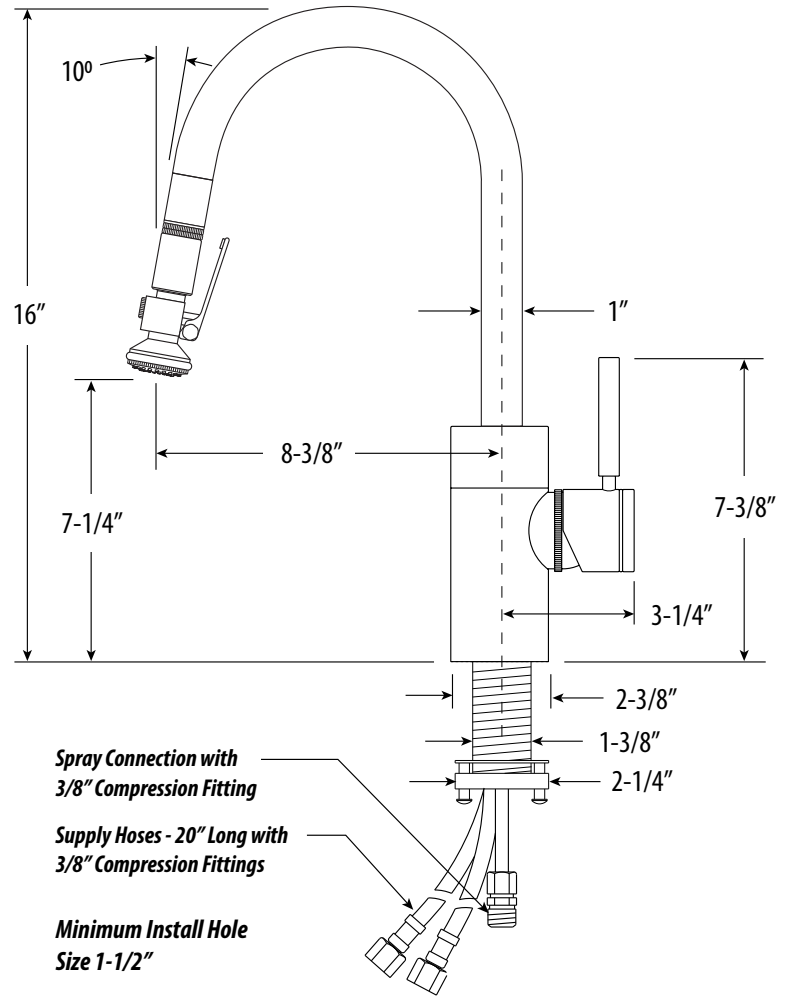
FEATURES:

- Smaller food prep version of the standard reach PLP Pulldown.
- 10 degree angled spout flows outward towards middle of sink.
- "Positive Lock Pulldown" design locks sprayer in place when not in use.
- Spout has 8-3/8" reach and can swivel 360 degrees.
- Lever handle spray head pulls out 18" from spout.
- Sprayer instantly diverts water from aerated stream to wide spray when lever handle is held.
- 1.75 gpm maximum flow rate with aerated tip.
- Hot/cold ceramic disk valve cartridge.
- Compatible with reverse osmosis water and systems.
- Made from eco-friendly solid brass or 316 stainless steel.



MEETS THE FOLLOWING:

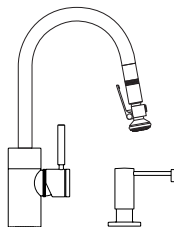
- ASME A112.18.1
- CSA B125.1
- NSF 61, 372
- CALGreen



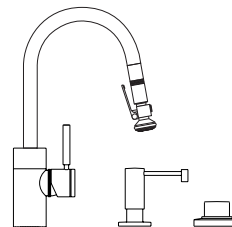
5940 SUITES

SUITE LIST PRICES:

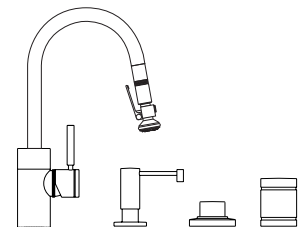
MODEL #	GRP 1	GRP 2	GRP 3	SS
5940-2	3351	3518	4586	4709
5940-3	3800	3990	5201	5341
5940-4	4085	4289	5590	5741



5940-2



5940-3



5940-4

2pc. Suite Soap/Lotion Dispenser (4065)

3pc. Suite includes Soap/Lotion Dispenser (4065) and Air Switch (3010)

4pc. Suite includes Soap/Lotion Dispenser (4065), Air Switch (3010) and Single Port Air Gap (3020)

FINISH GROUP 1: CH

FINISH GROUP 2: BLN, CHB, CLZ, GR, MB, MW, PB, PN, SB, SC, SN, UPB

FINISH GROUP 3: AB, ABZ, AC, AMB, AP, CB, DAB, DAC, DAMB, DAP, MAB, MAC, MAP, ORB, PC, TB

PRECIOUS METALS: PG, SG - 30% increase from Group 3*

STAINLESS STEEL: SS

SPLIT FINISHES: SEE PAGE 32

*Pricing subject to change

INDUSTRIAL PLP PULLDOWN FAUCETS

TOGGLE SPRAYERS



*PLP Pulldown Faucet - 9300
(pg. 82)*



*PLP Pulldown Faucet - 9400
(pg. 84)*



*PLP Pulldown Faucet - 9410
(pg. 86)*



*Prep Size PLP Pulldown Faucet - 9900
(pg. 88)*



*Prep Size PLP Pulldown Faucet - 9910
(pg. 90)*

LEVER SPRAYERS



*PLP Pulldown Faucet - 9700
(pg. 83)*



*PLP Pulldown Faucet - 9800
(pg. 85)*



*PLP Pulldown Faucet - 9810
(pg. 87)*



*Prep Size PLP Pulldown Faucet - 9930
(pg. 89)*



*Prep Size PLP Pulldown Faucet - 9940
(pg. 91)*

INDUSTRIAL EXTENDED REACH PLP PULLDOWN FAUCET / TOGGLE SPRAYER

LIST PRICES:

MODEL #	GRP 1	GRP 2	GRP 3	SS
9300	2307	2422	3156	3242

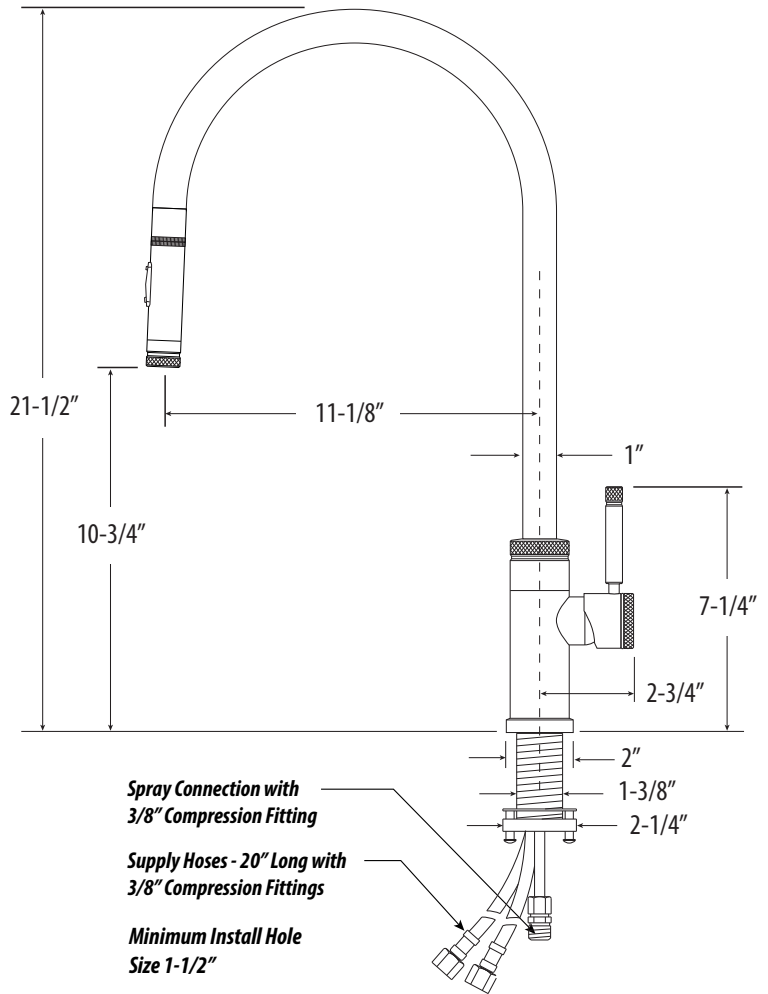
FEATURES:

- Modern diamond knurling gives industrial look.
- Thin, sleek faucet body design is perfect for modern kitchens.
- "Positive Lock Pulldown" design locks sprayer in place when not in use.
- Spout has 11-1/8" extended reach for larger sinks and can swivel 360 degrees.
- Toggle handle spray head pulls out 18" from spout.
- 1.75 gpm maximum flow rate with aerated tip.
- 25mm hot/cold ceramic disk valve cartridge.
- Compatible with reverse osmosis water and systems.
- Made from eco-friendly solid brass or 316 stainless steel.



MEETS THE FOLLOWING:

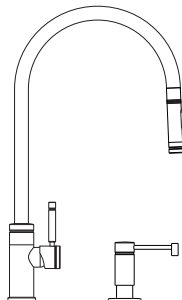
- ASME A112.18.1
- CSA B125.1
- NSF 61, 372
- CALGreen



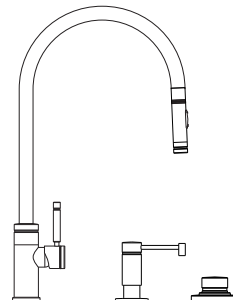
9300 SUITES

SUITE LIST PRICES:

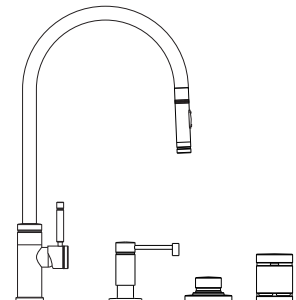
MODEL #	GRP 1	GRP 2	GRP 3	SS
9300-2	2787	2927	3814	3917
9300-3	3240	3403	4434	4553
9300-4	3537	3715	4841	4970



9300-2



9300-3



9300-4

2pc. Suite Soap/Lotion Dispenser (9065)

3pc. Suite includes Soap/Lotion Dispenser (9065) and Air Switch (9010)

4pc. Suite includes Soap/Lotion Dispenser (9065), Air Switch (9010) and Single Port Air Gap (9020)

FINISH GROUP 1: CH

FINISH GROUP 2: BLN, CHB, CLZ, GR, MB, MW, PB, PN, SB, SC, SN, UPB

FINISH GROUP 3: AB, ABZ, AC, AMB, AP, CB, DAB, DAC, DAMB, DAP, MAB, MAC, MAP, ORB, PC, TB

PRECIOUS METALS: PG, SG - 30% increase from Group 3*

STAINLESS STEEL: SS

SPLIT FINISHES: SEE PAGE 32

*Pricing subject to change

INDUSTRIAL EXTENDED REACH PLP PULLDOWN FAUCET / LEVER SPRAYER

LIST PRICES:

MODEL #	GRP 1	GRP 2	GRP 3	SS
9700	2687	2821	3676	3775

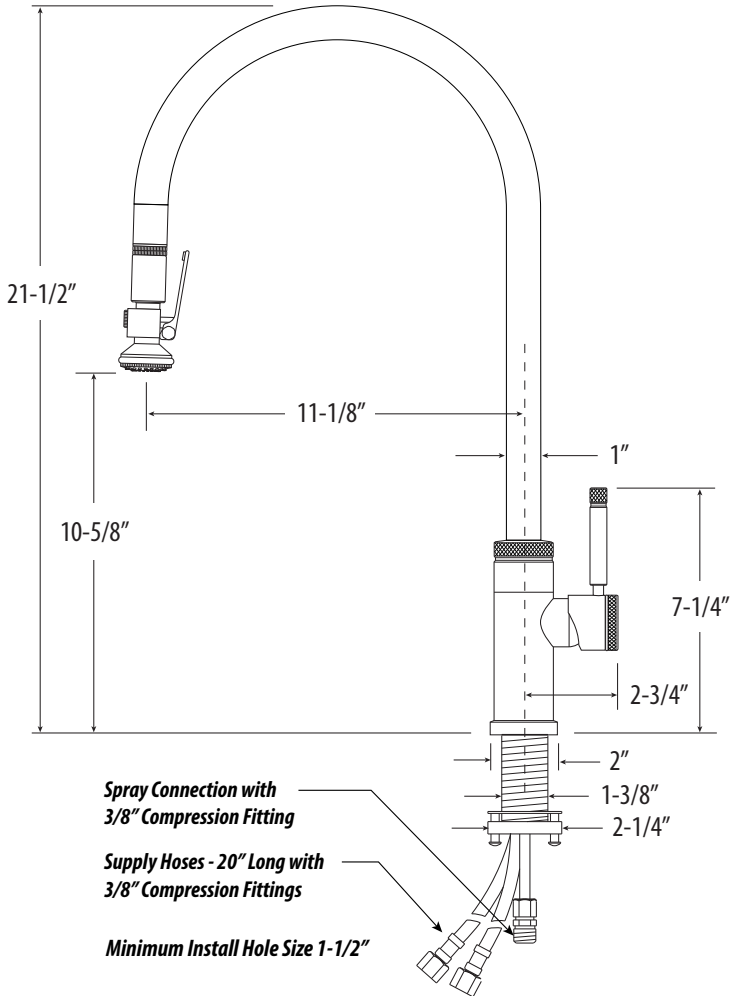
FEATURES:

- Modern diamond knurling gives industrial look.
- Thin, sleek faucet body design is perfect for modern kitchens.
- "Positive Lock Pulldown" design locks sprayer in place when not in use.
- Spout has extended 11-1/8" reach for larger sinks and can swivel 360 degrees.
- Lever handle spray head pulls out 18" from spout.
- 1.75 gpm maximum flow rate with aerated tip.
- 25mm hot/cold ceramic disk valve cartridge
- Compatible with reverse osmosis water and systems.
- Made from eco-friendly solid brass or 316 stainless steel.



MEETS THE FOLLOWING:

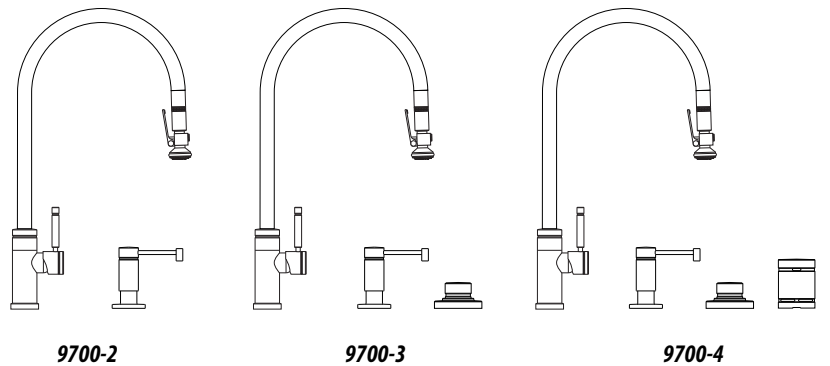
- ASME A112.18.1
- CSA B125.1
- NSF 61, 372
- CALGreen



9700 SUITES

SUITE LIST PRICES:

MODEL #	GRP 1	GRP 2	GRP 3	SS
9700-2	3167	3326	4334	4450
9700-3	3620	3802	4954	5086
9700-4	3917	4114	5361	5503



- 2pc. Suite Soap/Lotion Dispenser (9065)
- 3pc. Suite includes Soap/Lotion Dispenser (9065) and Air Switch (9010)
- 4pc. Suite includes Soap/Lotion Dispenser (9065), Air Switch (9010) and Single Port Air Gap (9020)

FINISH GROUP 1: CH
FINISH GROUP 2: BLN, CHB, CLZ, GR, MB, MW, PB, PN, SB, SC, SN, UPB
FINISH GROUP 3: AB, ABZ, AC, AMB, AP, CB, DAB, DAC, DAMB, DAP, MAB, MAC, MAP, ORB, PC, TB

PRECIOUS METALS: PG, SG - 30% increase from Group 3*
STAINLESS STEEL: SS
SPLIT FINISHES: SEE PAGE 32

*Pricing subject to change

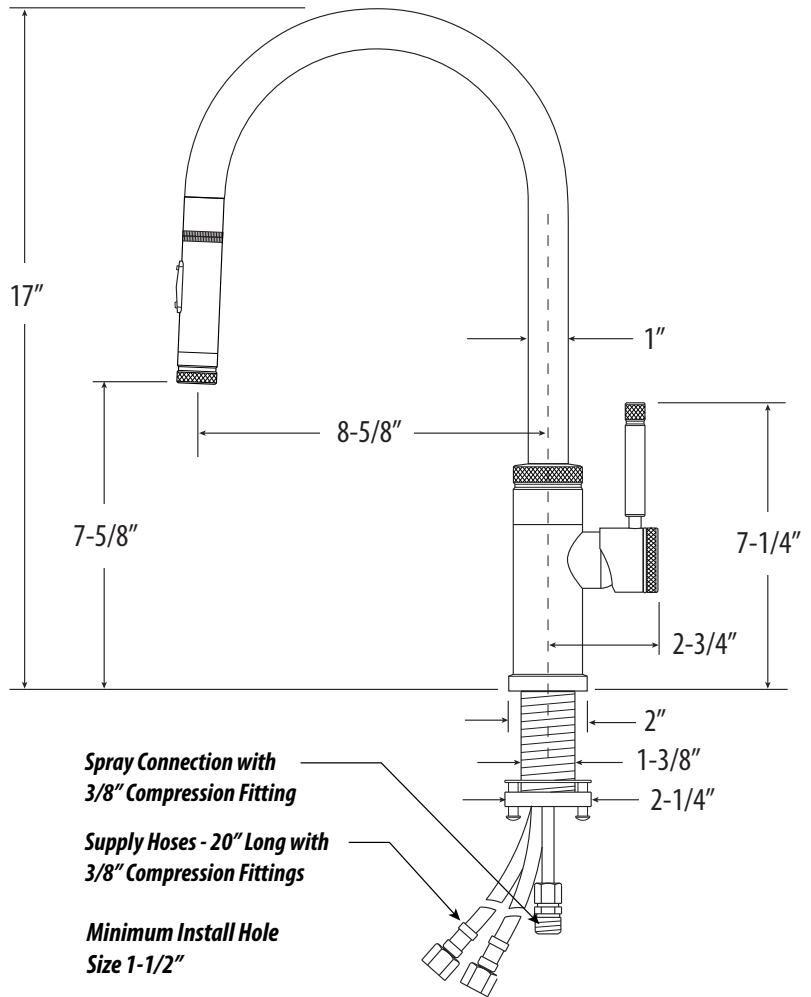
INDUSTRIAL PLP PULLDOWN FAUCET / TOGGLE SPRAYER

LIST PRICES:

MODEL #	GRP 1	GRP 2	GRP 3	SS
9400	2068	2172	2830	2907

FEATURES:

- Thin, sleek faucet body design is perfect for modern kitchens.
- Modern diamond cut knurling gives industrial look.
- "Positive Lock Pulldown" design locks sprayer in place when not in use.
- Spout has 8-5/8" reach and can swivel 360 degrees.
- Toggle handle spray head pulls out 18" from spout.
- Spray swivel design is fully insulated against heat.
- 1.75 gpm maximum flow rate with aerated tip.
- 25mm hot/cold ceramic disk valve cartridge.
- Compatible with reverse osmosis water and systems.
- Made from eco-friendly solid brass or 316 stainless steel.



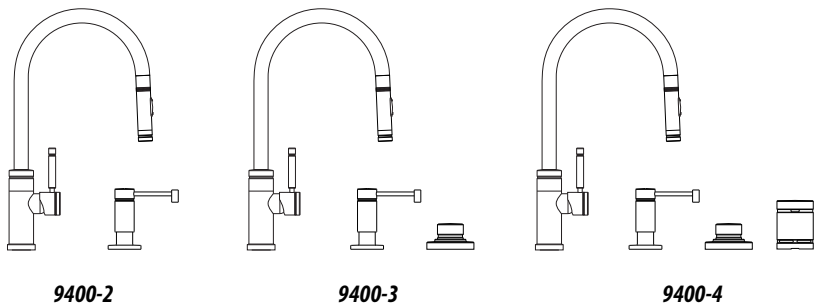
MEETS THE FOLLOWING:

- ASME A112.18.1
- CSA B125.1
- NSF 61, 372
- CALGreen

9400 SUITES

SUITE LIST PRICES:

MODEL #	GRP 1	GRP 2	GRP 3	SS
9400-2	2548	2677	3488	3582
9400-3	3001	3153	4108	4218
9400-4	3298	3465	4515	4635



- 2pc. Suite Soap/Lotion Dispenser (9065)
- 3pc. Suite includes Soap/Lotion Dispenser (9065) and Air Switch (9010)
- 4pc. Suite includes Soap/Lotion Dispenser (9065), Air Switch (9010) and Single Port Air Gap (9020)

FINISH GROUP 1: CH
FINISH GROUP 2: BLN, CHB, CLZ, GR, MB, MW, PB, PN, SB, SC, SN, UPB
FINISH GROUP 3: AB, ABZ, AC, AMB, AP, CB, DAB, DAC, DAMB, DAP, MAB, MAC, MAP, ORB, PC, TB

PRECIOUS METALS: PG, SG - 30% increase from Group 3*
STAINLESS STEEL: SS
SPLIT FINISHES: SEE PAGE 32

*Pricing subject to change

INDUSTRIAL PLP PULLDOWN FAUCET / LEVER SPRAYER

LIST PRICES:

MODEL #	GRP 1	GRP 2	GRP 3	SS
9800	2445	2568	3345	3435

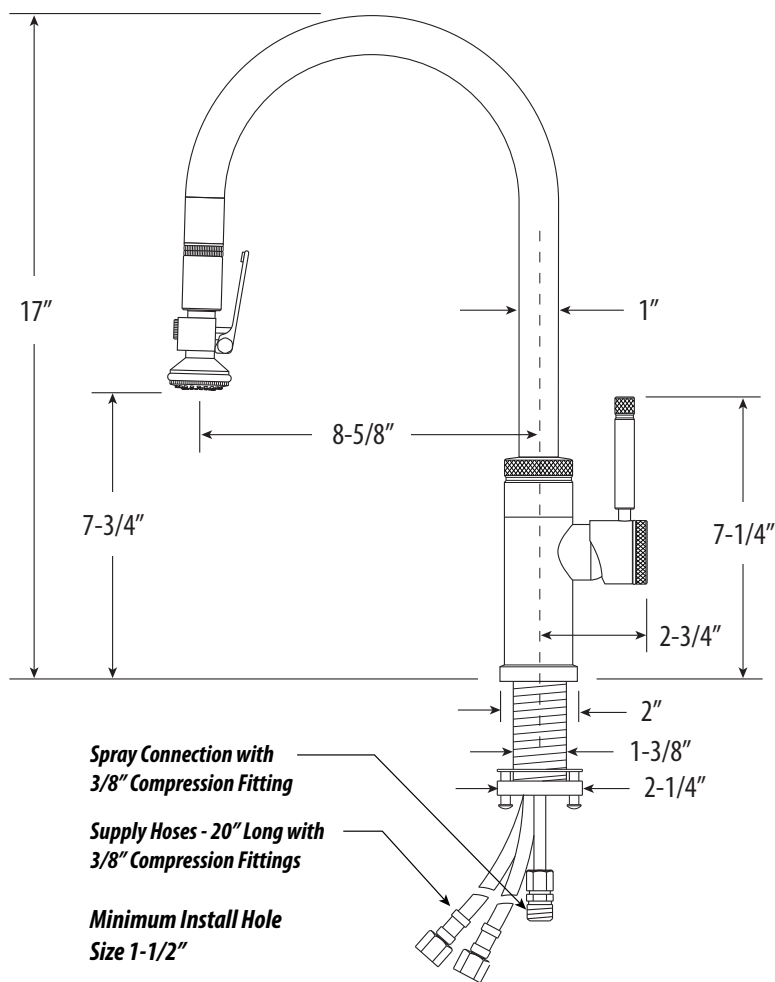
FEATURES:

- Modern diamond knurling gives industrial look.
- Thin, sleek body design is perfect for urban kitchens.
- "Positive Lock Pulldown" design locks sprayer in place when not in use.
- Spout has 8-5/8" reach and can swivel 360 degrees.
- Lever handle spray head pulls out 18" from spout.
- Spray swivel design is fully insulated against heat.
- 1.75 gpm maximum flow rate with aerated tip.
- 25mm hot/cold ceramic disk valve cartridge
- Compatible with reverse osmosis water and systems.
- Made from eco-friendly solid brass or 316 stainless steel.



MEETS THE FOLLOWING:

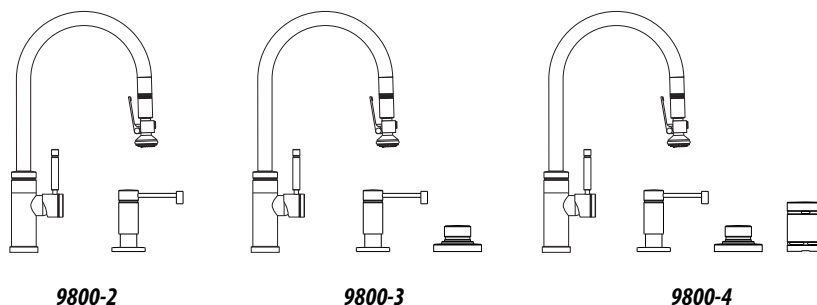
- ASME A112.18.1
- CSA B125.1
- NSF 61, 372
- CALGreen



9800 SUITES

SUITE LIST PRICES:

MODEL #	GRP 1	GRP 2	GRP 3	SS
9800-2	2925	3073	4003	4110
9800-3	3378	3549	4623	4746
9800-4	3675	3861	5030	5163



- 2pc. Suite Soap/Lotion Dispenser (9065)
- 3pc. Suite includes Soap/Lotion Dispenser (9065) and Air Switch (9010)
- 4pc. Suite includes Soap/Lotion Dispenser (9065), Air Switch (9010) and Single Port Air Gap (9020)

FINISH GROUP 1: CH
FINISH GROUP 2: BLN, CHB, CLZ, GR, MB, MW, PB, PN, SB, SC, SN, UPB
FINISH GROUP 3: AB, ABZ, AC, AMB, AP, CB, DAB, DAC, DAMB, DAP, MAB, MAC, MAP, ORB, PC, TB

PRECIOUS METALS: PG, SG - 30% increase from Group 3*
STAINLESS STEEL: SS
SPLIT FINISHES: SEE PAGE 32

*Pricing subject to change

INDUSTRIAL PLP PULLDOWN FAUCET / ANGLED SPOUT / TOGGLE SPRAYER

LIST PRICES:

MODEL #	GRP 1	GRP 2	GRP 3	SS
9410	2180	2288	2982	3062

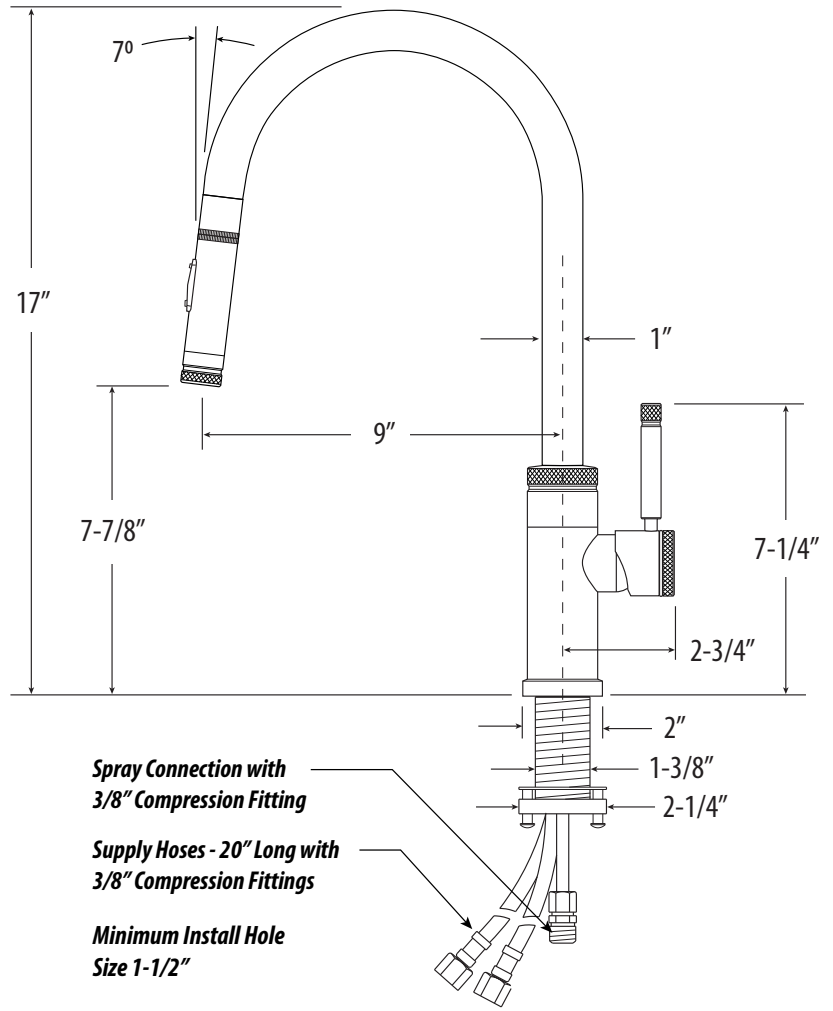
FEATURES:

- 7 degree angled spout flows outward towards middle of sink.
- Modern diamond knurling gives industrial look.
- "Positive Lock Pulldown" design locks sprayer in place when not in use.
- Spout has 9" reach and can swivel 360 degrees.
- Spray swivel design is fully insulated against heat.
- Toggle handle spray head pulls out 18" from spout.
- 1.75 gpm maximum flow rate with aerated tip.
- 25mm hot/cold ceramic disk valve cartridge.
- Compatible with reverse osmosis water and systems.
- Made from eco-friendly solid brass or 316 stainless steel.



MEETS THE FOLLOWING:

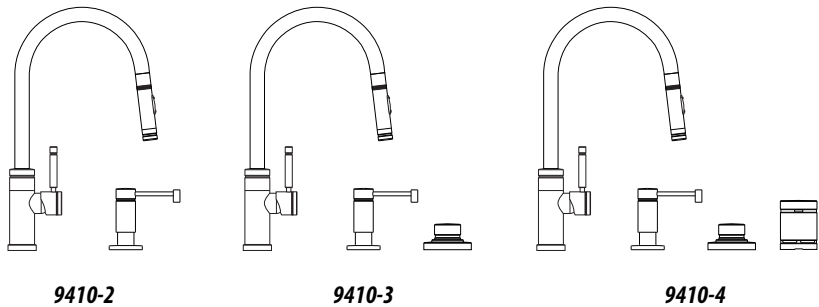
- ASME A112.18.1
- CSA B125.1
- NSF 61, 372
- CALGreen



9410 SUITES

SUITE LIST PRICES:

MODEL #	GRP 1	GRP 2	GRP 3	SS
9410-2	2660	2793	3640	3737
9410-3	3113	3269	4260	4373
9410-4	3410	3581	4667	4790



- 2pc. Suite Soap/Lotion Dispenser (9065)
- 3pc. Suite includes Soap/Lotion Dispenser (9065) and Air Switch (9010)
- 4pc. Suite includes Soap/Lotion Dispenser (9065), Air Switch (9010) and Single Port Air Gap (9020)

FINISH GROUP 1: CH
FINISH GROUP 2: BLN, CHB, CLZ, GR, MB, MW, PB, PN, SB, SC, SN, UPB
FINISH GROUP 3: AB, ABZ, AC, AMB, AP, CB, DAB, DAC, DAMB, DAP, MAB, MAC, MAP, ORB, PC, TB

PRECIOUS METALS: PG, SG - 30% increase from Group 3*
STAINLESS STEEL: SS
SPLIT FINISHES: SEE PAGE 32

*Pricing subject to change

INDUSTRIAL PLP PULLDOWN FAUCET / ANGLED SPOUT / LEVER SPRAYER

LIST PRICES:

MODEL #	GRP 1	GRP 2	GRP 3	SS
9810	2549	2676	3488	3582

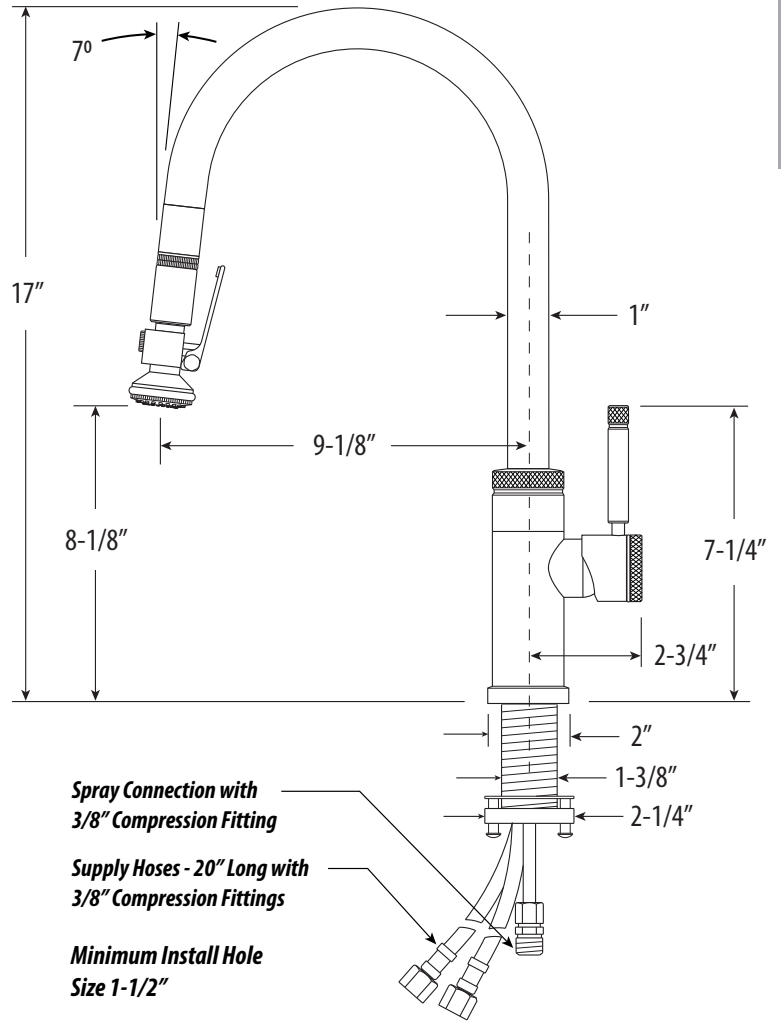
FEATURES:

- 7 degree angled spout flows outward towards middle of sink.
- Modern diamond knurling gives industrial look.
- Thin, sleek body design is perfect for urban kitchens.
- "Positive Lock Pulldown" design locks sprayer in place when not in use.
- Spout has 9-1/8" reach and can swivel 360 degrees.
- Lever handle spray head pulls out 18" from spout.
- 1.75 gpm maximum flow rate with aerated tip.
- 25mm hot/cold ceramic disk valve cartridge.
- Compatible with reverse osmosis water and systems.



MEETS THE FOLLOWING:

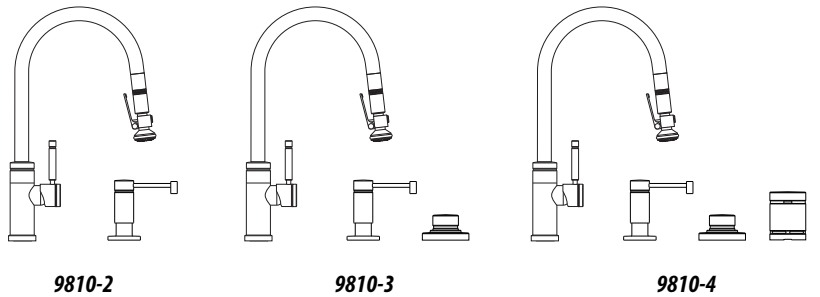
- ASME A112.18.1
- CSA B125.1
- NSF 61, 372
- CALGreen



9810 SUITES

SUITE LIST PRICES:

MODEL #	GRP 1	GRP 2	GRP 3	SS
9810-2	3029	3181	4146	4257
9810-3	3482	3657	4766	4893
9810-4	3779	3969	5173	5310



- 2pc. Suite Soap/Lotion Dispenser (9065)
- 3pc. Suite includes Soap/Lotion Dispenser (9065) and Air Switch (9010)
- 4pc. Suite includes Soap/Lotion Dispenser (9065), Air Switch (9010) and Single Port Air Gap (9020)

FINISH GROUP 1: CH
FINISH GROUP 2: BLN, CHB, CLZ, GR, MB, MW, PB, PN, SB, SC, SN, UPB
FINISH GROUP 3: AB, ABZ, AC, AMB, AP, CB, DAB, DAC, DAMB, DAP, MAB, MAC, MAP, ORB, PC, TB

PRECIOUS METALS: PG, SG - 30% increase from Group 3*
STAINLESS STEEL: SS
SPLIT FINISHES: SEE PAGE 32

*Pricing subject to change

INDUSTRIAL PREP SIZE PLP PULLDOWN FAUCET / TOGGLE SPRAYER

LIST PRICES:

MODEL #	GRP 1	GRP 2	GRP 3	SS
9900	2046	2149	2799	2874

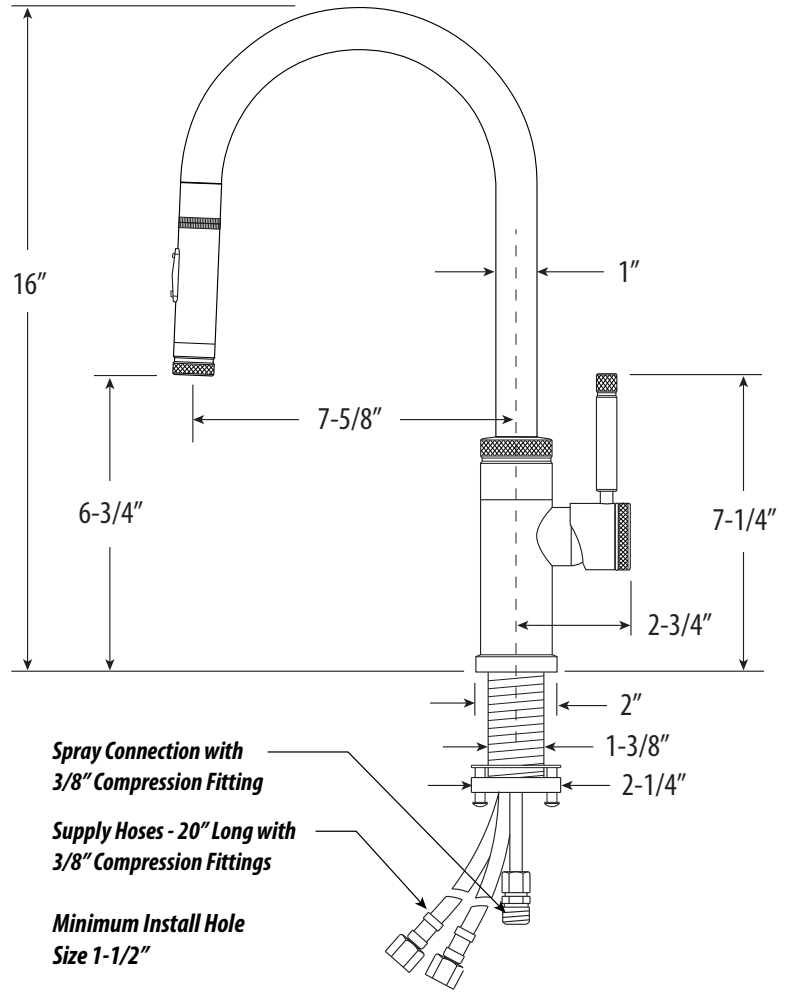
FEATURES:

- Smaller, food prep version of the standard reach PLP Pulldown.
- Modern diamond knurling gives industrial look.
- Thin, sleek faucet body design is perfect for modern kitchens.
- "Positive Lock Pulldown" design locks sprayer in place when not in use.
- Spout has 7-5/8" reach and can swivel 360 degrees.
- Toggle handle spray head pulls out 18" from spout.
- Spray swivel design is fully insulated against heat.
- 25mm hot/cold ceramic disk valve cartridge.
- 1.75 gpm maximum flow rate with aerated tip.
- Compatible with reverse osmosis water and systems.
- Made from eco-friendly solid brass or 316 stainless steel.



MEETS THE FOLLOWING:

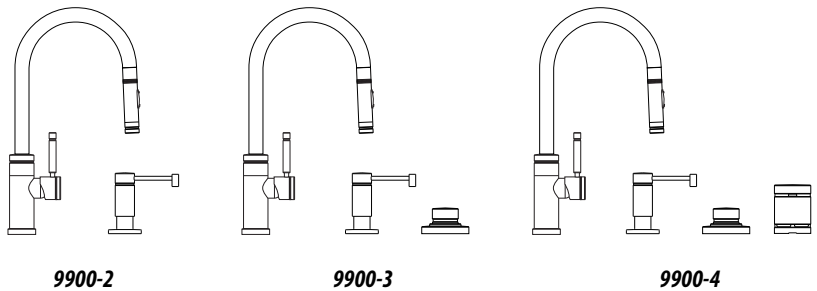
- ASME A112.18.1
- CSA B125.1
- NSF 61, 372
- CALGreen



9900 SUITES

SUITE LIST PRICES:

MODEL #	GRP 1	GRP 2	GRP 3	SS
9900-2	2526	2654	3457	3549
9900-3	2979	3130	4077	4185
9900-4	3276	3442	4484	4602



2pc. Suite Soap/Lotion Dispenser (9065)

3pc. Suite includes Soap/Lotion Dispenser (9065) and Air Switch (9010)

4pc. Suite includes Soap/Lotion Dispenser (9065), Air Switch (9010) and Single Port Air Gap (9020)

FINISH GROUP 1: CH

FINISH GROUP 2: BLN, CHB, CLZ, GR, MB, MW, PB, PN, SB, SC, SN, UPB

FINISH GROUP 3: AB, ABZ, AC, AMB, AP, CB, DAB, DAC, DAMB, DAP, MAB, MAC, MAP, ORB, PC, TB

PRECIOUS METALS: PG, SG - 30% increase from Group 3*

STAINLESS STEEL: SS

SPLIT FINISHES: SEE PAGE 32

*Pricing subject to change

INDUSTRIAL PREP SIZE PLP PULLDOWN FAUCET / LEVER SPRAYER

LIST PRICES:

MODEL #	GRP 1	GRP 2	GRP 3	SS
9930	2415	2537	3305	3394

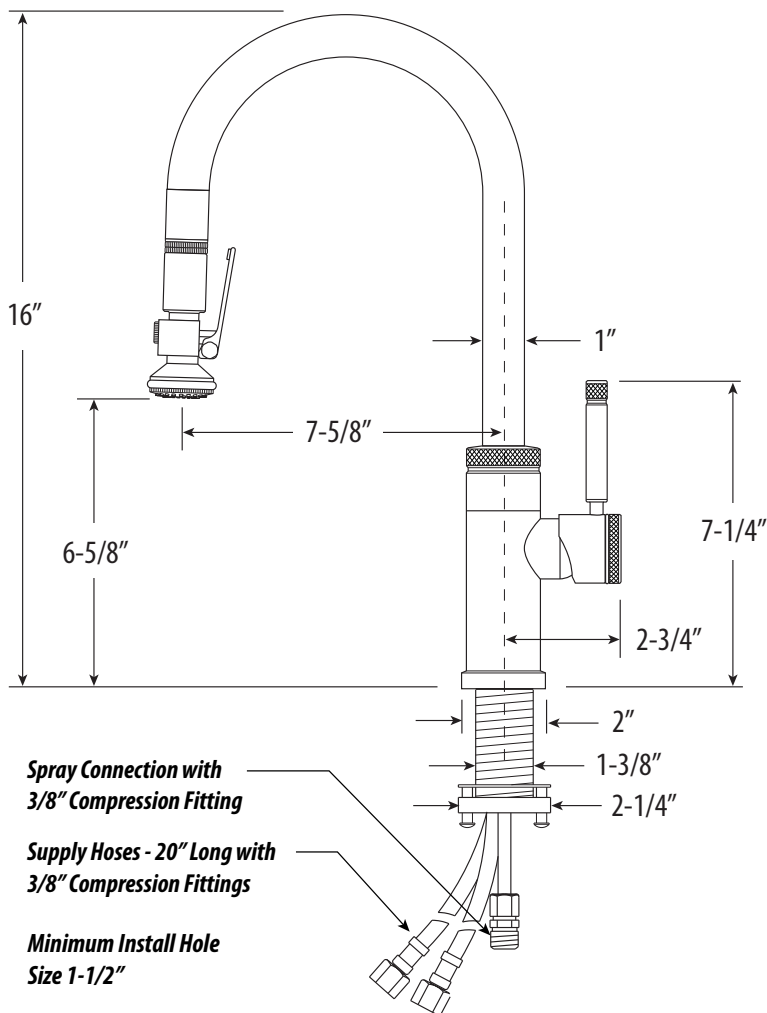
FEATURES:

- Smaller, food prep version of the standard reach PLP Pulldown.
- Modern diamond knurling gives industrial look.
- Thin, sleek faucet body design is perfect for modern kitchens.
- "Positive Lock Pulldown" design locks sprayer in place when not in use.
- Spout has 7-5/8" reach and can swivel 360 degrees.
- Lever handle spray head pulls out 18" from spout.
- Counterbalanced weight on spray hose allows smooth pull out and prevents snap back.
- Hot/cold ceramic disk valve cartridge.
- 1.75 gpm maximum flow rate with aerated tip.
- Compatible with reverse osmosis water and systems.
- Made from eco-friendly solid brass or 316 stainless steel.



MEETS THE FOLLOWING:

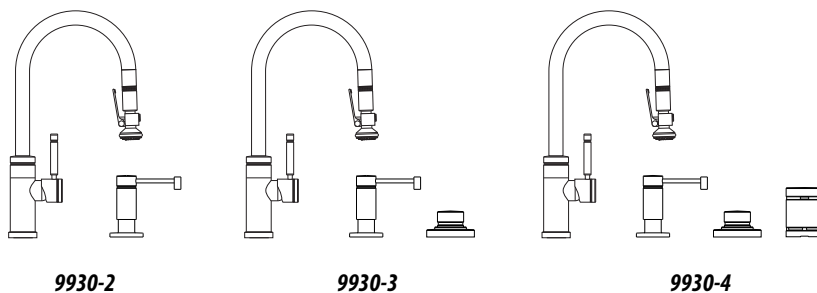
- ASME A112.18.1
- CSA B125.1
- NSF 61, 372
- CALGreen



9930 SUITES

SUITE LIST PRICES:

MODEL #	GRP 1	GRP 2	GRP 3	SS
9930-2	2895	3042	3963	4069
9930-3	3348	3518	4583	4705
9930-4	3645	3830	4990	5122



- 2pc. Suite Soap/Lotion Dispenser (9065)
- 3pc. Suite includes Soap/Lotion Dispenser (9065) and Air Switch (9010)
- 4pc. Suite includes Soap/Lotion Dispenser (9065), Air Switch (9010) and Single Port Air Gap (9020)

FINISH GROUP 1: CH
FINISH GROUP 2: BLN, CHB, CLZ, GR, MB, MW, PB, PN, SB, SC, SN, UPB
FINISH GROUP 3: AB, ABZ, AC, AMB, AP, CB, DAB, DAC, DAMB, DAP, MAB, MAC, MAP, ORB, PC, TB

PRECIOUS METALS: PG, SG - 30% increase from Group 3*
STAINLESS STEEL: SS
SPLIT FINISHES: SEE PAGE 32

*Pricing subject to change

INDUSTRIAL PREP SIZE PLP PULLDOWN FAUCET / ANGLED SPOUT / TOGGLE SPRAYER

LIST PRICES:

MODEL #	GRP 1	GRP 2	GRP 3	SS
9910	2051	2154	2806	2883

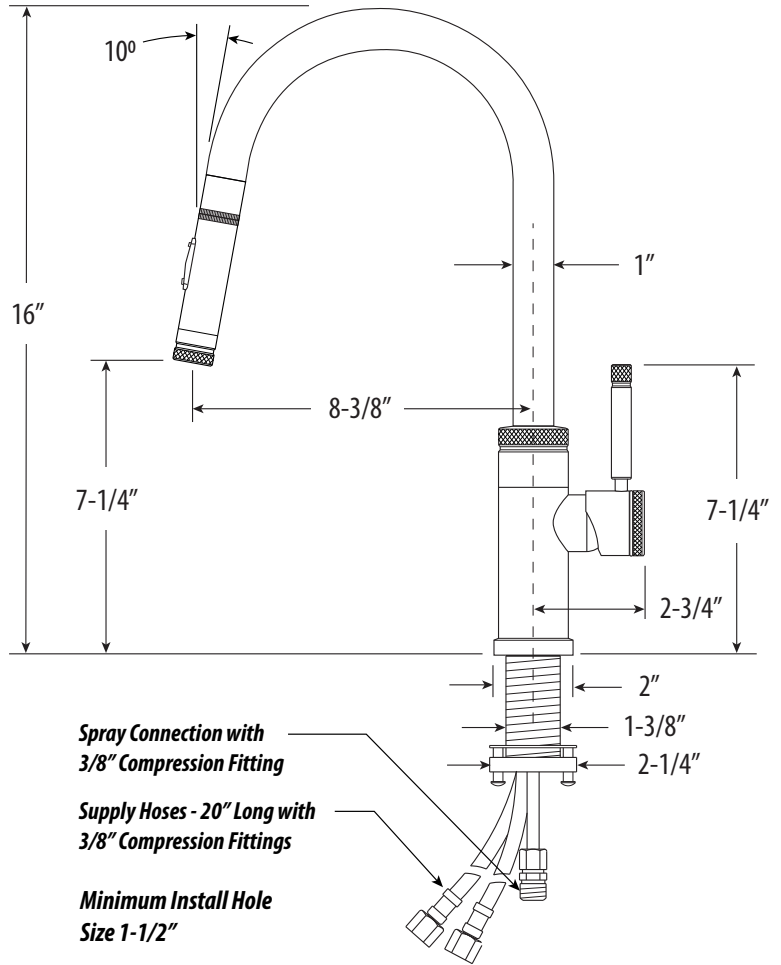
FEATURES:

- 10 degree angled spout flows outward towards middle of sink.
- Smaller food prep version of the standard reach PLP Pulldown.
- Modern diamond cut knurling gives industrial look.
- Thin, sleek faucet body design is perfect for modern kitchens.
- "Positive Lock Pulldown" design locks sprayer in place when not in use.
- Spout has 8-3/8" reach and can swivel 360 degrees.
- Toggle handle spray head pulls out 18" from spout.
- Spray swivel design is fully insulated against heat.
- 1.75 gpm maximum flow rate with aerated tip.
- 25mm hot/cold ceramic disk valve cartridge.
- Compatible with reverse osmosis water and systems.
- Made from eco-friendly solid brass or 316 stainless steel.



MEETS THE FOLLOWING:

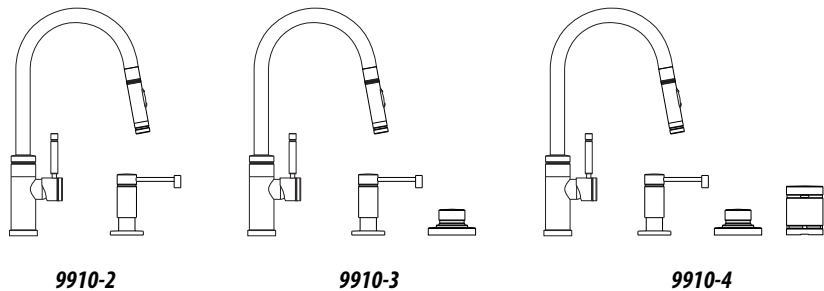
- ASME A112.18.1
- CSA B125.1
- NSF 61, 372
- CALGreen



9910 SUITES

SUITE LIST PRICES:

MODEL #	GRP 1	GRP 2	GRP 3	SS
9910-2	2531	2659	3464	3558
9910-3	2984	3135	4084	4194
9910-4	3281	3447	4491	4611



- 2pc. Suite Soap/Lotion Dispenser (9065)
- 3pc. Suite includes Soap/Lotion Dispenser (9065) and Air Switch (9010)
- 4pc. Suite includes Soap/Lotion Dispenser (9065), Air Switch (9010) and Single Port Air Gap (9020)

FINISH GROUP 1: CH
FINISH GROUP 2: BLN, CHB, CLZ, GR, MB, MW, PB, PN, SB, SC, SN, UPB
FINISH GROUP 3: AB, ABZ, AC, AMB, AP, CB, DAB, DAC, DAMB, DAP, MAB, MAC, MAP, ORB, PC, TB

PRECIOUS METALS: PG, SG - 30% increase from Group 3*
STAINLESS STEEL: SS
SPLIT FINISHES: SEE PAGE 32

*Pricing subject to change

INDUSTRIAL PREP SIZE PLP PULLDOWN FAUCET / ANGLED SPOUT / LEVER SPRAYER

LIST PRICES:

MODEL #	GRP 1	GRP 2	GRP 3	SS
9940	2421	2542	3312	3402

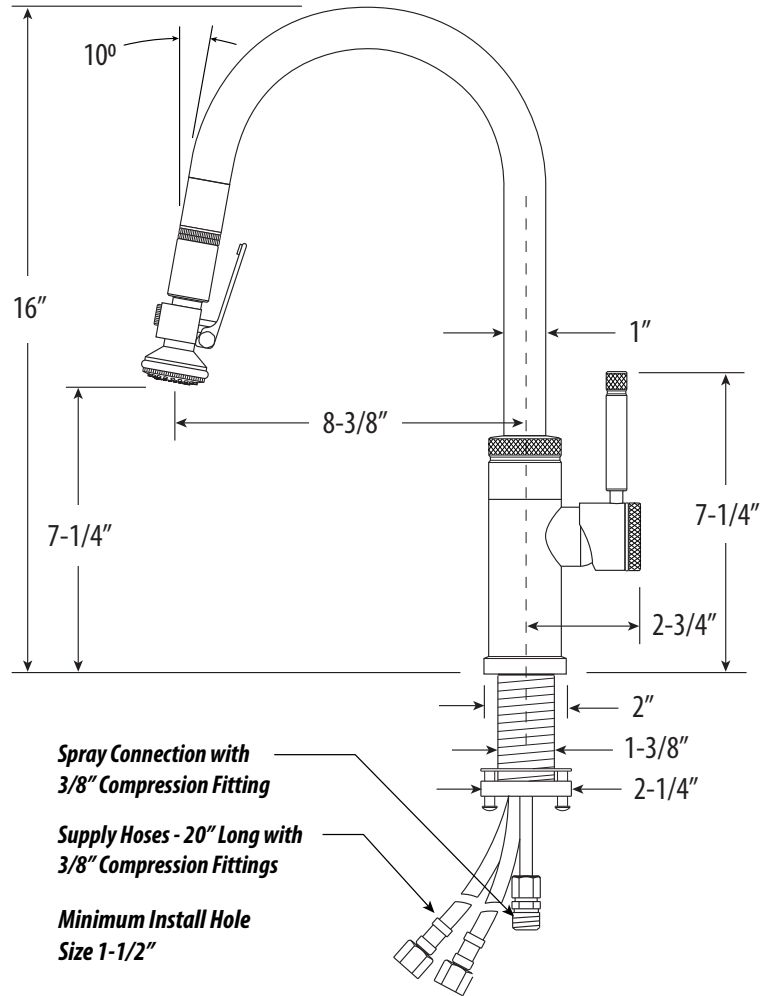
FEATURES:

- 10 degree angled spout flows outward towards middle of sink.
- Smaller food prep version of the standard reach PLP Pulldown.
- Modern diamond knurling gives industrial look.
- Thin, sleek faucet body design is perfect for modern kitchens.
- "Positive Lock Pulldown" design locks sprayer in place when not in use.
- Spout has 8-3/8" reach and can swivel 360 degrees.
- Lever handle spray head pulls out 18" from spout.
- 1.75 gpm maximum flow rate with aerated tip.
- 25mm hot/cold ceramic disk valve cartridge.
- Compatible with reverse osmosis water and systems.



MEETS THE FOLLOWING:

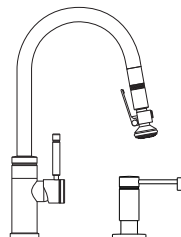
- ASME A112.18.1
- CSA B125.1
- NSF 61, 372
- CALGreen



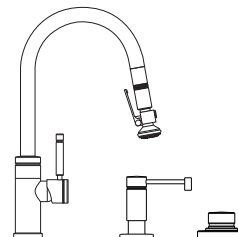
9940 SUITES

SUITE LIST PRICES:

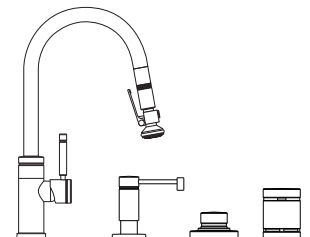
MODEL #	GRP 1	GRP 2	GRP 3	SS
9940-2	2901	3047	3970	4077
9940-3	3354	3523	4590	4713
9940-4	3651	3835	4997	5130



9940-2



9940-3



9940-4

2pc. Suite Soap/Lotion Dispenser (9065)

3pc. Suite includes Soap/Lotion Dispenser (9065) and Air Switch (9010)

4pc. Suite includes Soap/Lotion Dispenser (9065), Air Switch (9010) and Single Port Air Gap (9020)

FINISH GROUP 1: CH

FINISH GROUP 2: BLN, CHB, CLZ, GR, MB, MW, PB, PN, SB, SC, SN, UPB

FINISH GROUP 3: AB, ABZ, AC, AMB, AP, CB, DAB, DAC, DAMB, DAP, MAB, MAC, MAP, ORB, PC, TB

PRECIOUS METALS: PG, SG - 30% increase from Group 3*

STAINLESS STEEL: SS

SPLIT FINISHES: SEE PAGE 32

*Pricing subject to change

MODERN PLP PULLDOWN FAUCETS

TOGGLE SPRAYERS



*PLP Pulldown Faucet - 9350
(pg. 94)*



*PLP Pulldown Faucet - 9450
(pg. 96)*



*PLP Pulldown Faucet - 9460
(pg. 98)*



*Prep Size PLP Pulldown Faucet - 9950
(pg. 100)*



*Prep Size PLP Pulldown Faucet - 9960
(pg. 102)*

LEVER SPRAYERS



*PLP Pulldown Faucet - 9750
(pg. 95)*



*PLP Pulldown Faucet - 9850
(pg. 97)*



*PLP Pulldown Faucet - 9860
(pg. 99)*



*Prep Size PLP Pulldown Faucet - 9980
(pg. 101)*



*Prep Size PLP Pulldown Faucet - 9990
(pg. 103)*

MODERN EXTENDED REACH PLP PULLDOWN FAUCET / TOGGLE SPRAYER

LIST PRICES:

MODEL #	GRP 1	GRP 2	GRP 3	SS
9350	2220	2330	3037	3120

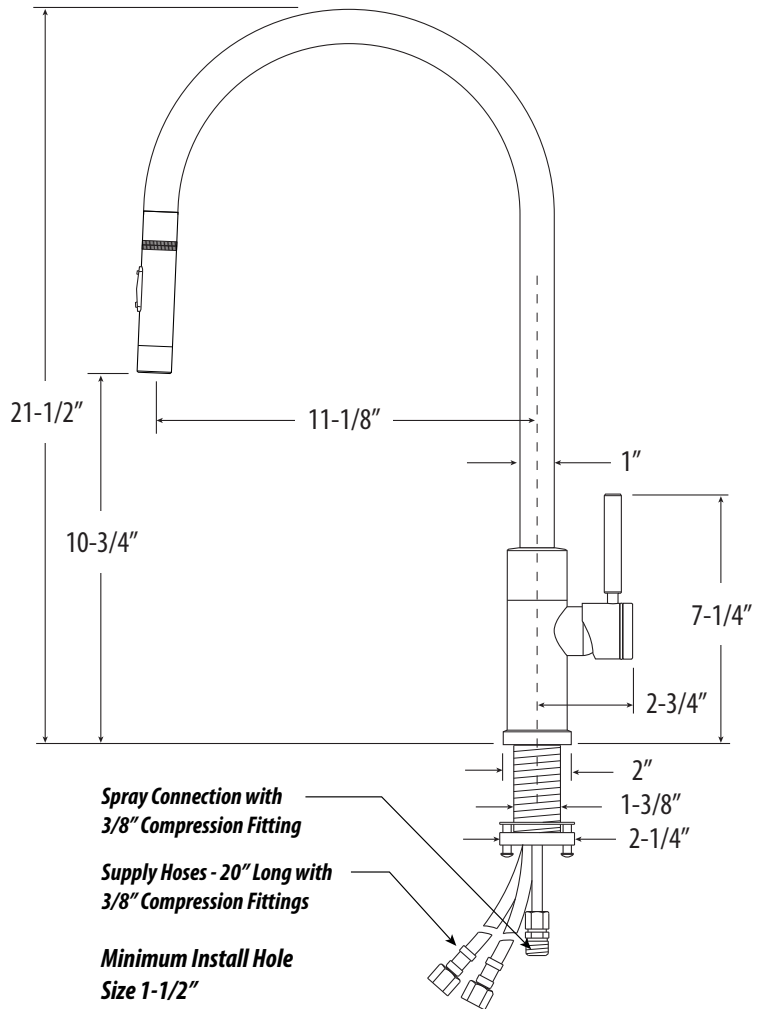
FEATURES:

- Thin, sleek body design gives a clean and simplistic look.
- "Positive Lock Pulldown" design locks sprayer in place when not in use.
- Spout has 11-1/8" extended reach for larger sinks and can swivel 360 degrees.
- Toggle handle spray head pulls out 18" from spout.
- 1.75 gpm maximum flow rate with aerated tip.
- 25mm hot/cold ceramic disk valve cartridge.
- Compatible with reverse osmosis water and systems.
- Made from eco-friendly solid brass or 316 stainless steel.



MEETS THE FOLLOWING:

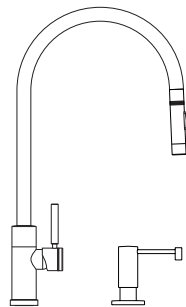
- ASME A112.18.1
- CSA B125.1
- NSF 61, 372
- CALGreen



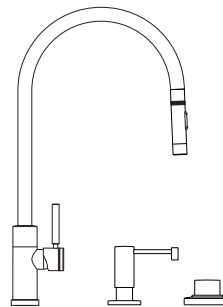
9350 SUITES

SUITE LIST PRICES:

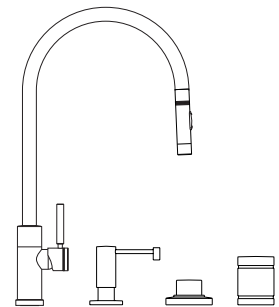
MODEL #	GRP 1	GRP 2	GRP 3	SS
9350-2	2697	2831	3690	3790
9350-3	3146	3303	4305	4422
9350-4	3431	3602	4694	4822



9350-2



9350-3



9350-4

2pc. Suite Soap/Lotion Dispenser (4065)

3pc. Suite includes Soap/Lotion Dispenser (4065) and Air Switch (3010)

4pc. Suite includes Soap/Lotion Dispenser (4065), Air Switch (3010) and Single Port Air Gap (3020)

FINISH GROUP 1: CH

FINISH GROUP 2: BLN, CHB, CLZ, GR, MB, MW, PB, PN, SB, SC, SN, UPB

FINISH GROUP 3: AB, ABZ, AC, AMB, AP, CB, DAB, DAC, DAMB, DAP, MAB, MAC, MAP, ORB, PC, TB

PRECIOUS METALS: PG, SG - 30% increase from Group 3*

STAINLESS STEEL: SS

SPLIT FINISHES: SEE PAGE 32

*Pricing subject to change

MODERN EXTENDED REACH PLP PULLDOWN FAUCET / LEVER SPRAYER

LIST PRICES:

MODEL #	GRP 1	GRP 2	GRP 3	SS
9750	2600	2731	3559	3654

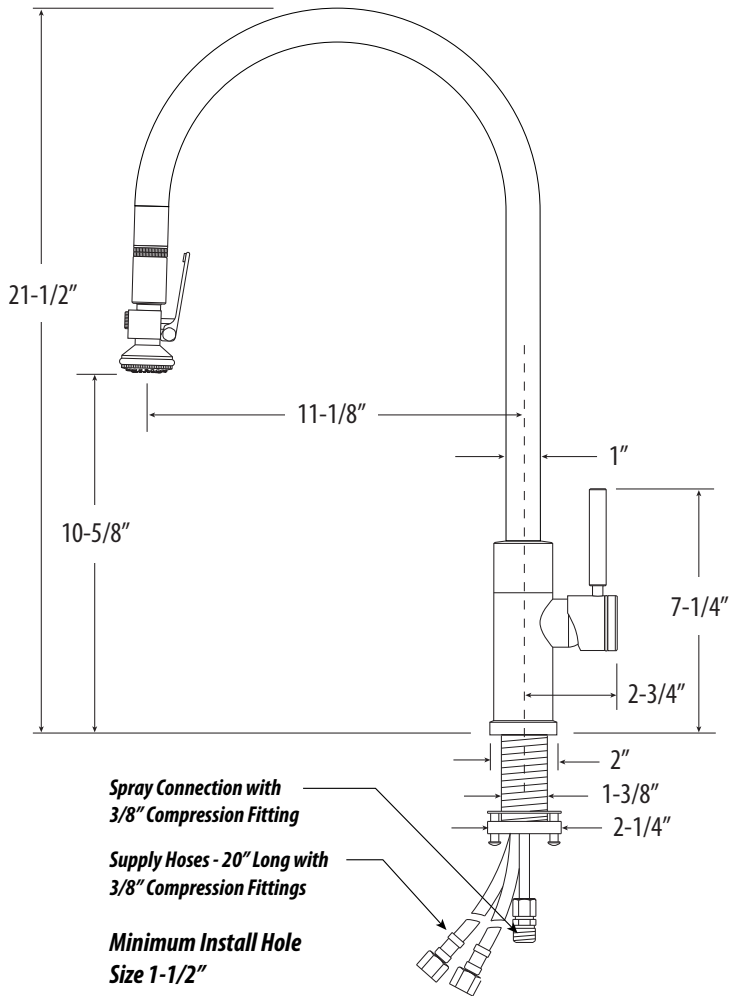
FEATURES:

- Thin, sleek faucet body design is perfect for minimal kitchens.
- "Positive Lock Pulldown" design locks sprayer in place when not in use.
- Spout has 11-1/8" extended reach for larger sinks and can swivel 360 degrees.
- Lever handle spray head pulls out 18" from spout.
- 1.75 gpm maximum flow rate with aerated tip.
- 25mm hot/cold ceramic disk valve cartridge.
- Compatible with reverse osmosis water and systems.
- Made from eco-friendly solid brass or 316 stainless steel.



MEETS THE FOLLOWING:

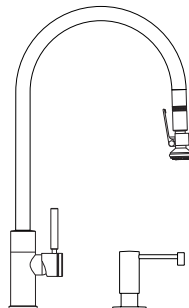
- ASME A112.18.1
- CSA B125.1
- NSF 61, 372
- CALGreen



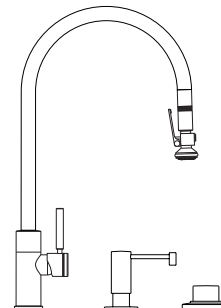
9750 SUITES

SUITE LIST PRICES:

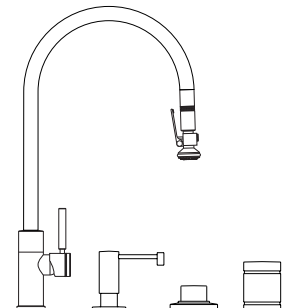
MODEL #	GRP 1	GRP 2	GRP 3	SS
9750-2	3077	3232	4212	4324
9750-3	3526	3704	4827	4956
9750-4	3811	4003	5216	5356



9750-2



9750-3



9750-4

- 2pc. Suite Soap/Lotion Dispenser (4065)
- 3pc. Suite includes Soap/Lotion Dispenser (4065) and Air Switch (3010)
- 4pc. Suite includes Soap/Lotion Dispenser (4065), Air Switch (3010) and Single Port Air Gap (3020)

FINISH GROUP 1: CH
FINISH GROUP 2: BLN, CHB, CLZ, GR, MB, MW, PB, PN, SB, SC, SN, UPB
FINISH GROUP 3: AB, ABZ, AC, AMB, AP, CB, DAB, DAC, DAMB, DAP, MAB, MAC, MAP, ORB, PC, TB

PRECIOUS METALS: PG, SG - 30% increase from Group 3*
STAINLESS STEEL: SS
SPLIT FINISHES: SEE PAGE 32

*Pricing subject to change

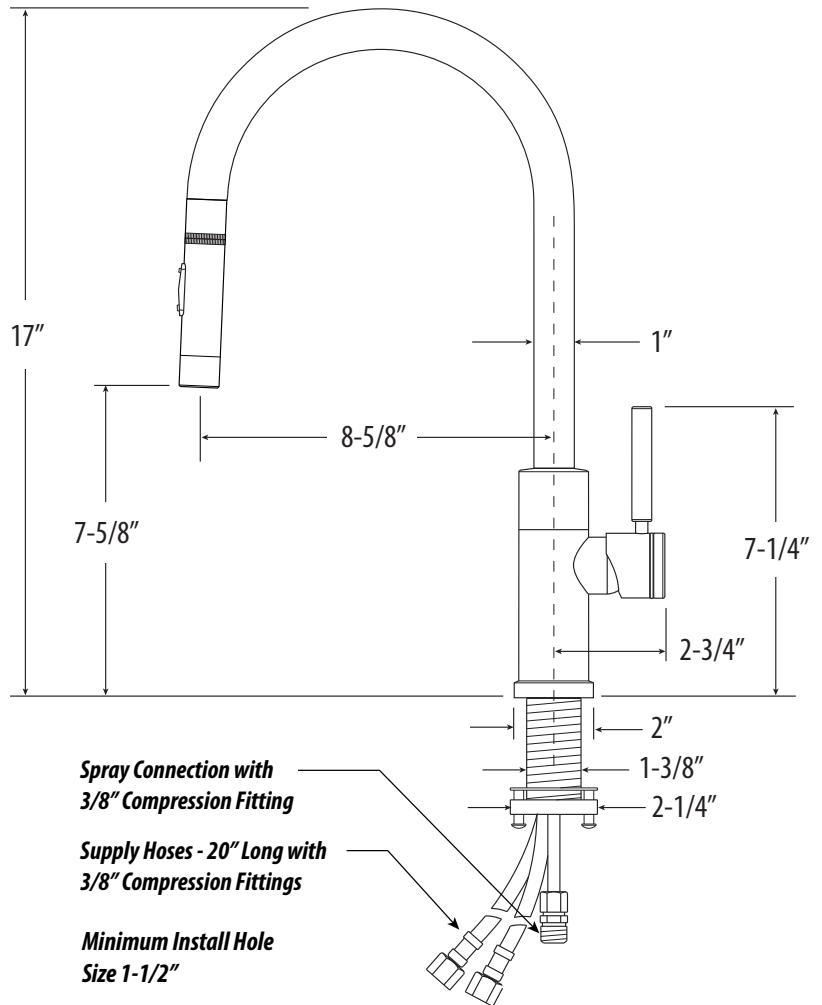
MODERN PLP PULLDOWN FAUCET / TOGGLE SPRAYER

LIST PRICES:

MODEL #	GRP 1	GRP 2	GRP 3	SS
9450	1982	2081	2712	2785

FEATURES:

- Thin, sleek body design gives a clean and simplistic look.
- "Positive Lock Pulldown" design locks sprayer in place when not in use.
- Spout has 8-5/8" reach and can swivel 360 degrees.
- Toggle handle spray head pulls out 18" from spout.
- When pushed, sprayer toggle button locks in place and instantly diverts water from aerated stream to wide spray.
- 1.75 gpm maximum flow rate with aerated tip.
- 25mm hot/cold ceramic disk valve cartridge.
- Compatible with reverse osmosis water and systems.
- Made from eco-friendly solid brass or 316 stainless steel.



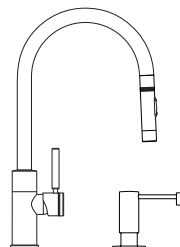
MEETS THE FOLLOWING:

- ASME A112.18.1
- CSA B125.1
- NSF 61, 372
- CALGreen

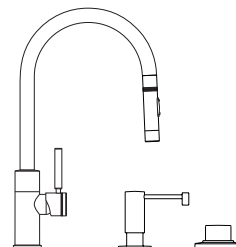
9450 SUITES

SUITE LIST PRICES:

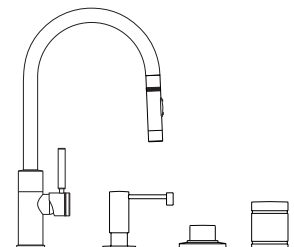
MODEL #	GRP 1	GRP 2	GRP 3	SS
9450-2	2459	2582	3365	3455
9450-3	2908	3054	3980	4087
9450-4	3193	3353	4369	4487



9450-2



9450-3



9450-4

2pc. Suite Soap/Lotion Dispenser (4065)

3pc. Suite includes Soap/Lotion Dispenser (4065) and Air Switch (3010)

4pc. Suite includes Soap/Lotion Dispenser (4065), Air Switch (3010) and Single Port Air Gap (3020)

FINISH GROUP 1: CH

FINISH GROUP 2: BLN, CHB, CLZ, GR, MB, MW, PB, PN, SB, SC, SN, UPB

FINISH GROUP 3: AB, ABZ, AC, AMB, AP, CB, DAB, DAC, DAMB, DAP, MAB, MAC, MAP, ORB, PC, TB

PRECIOUS METALS: PG, SG - 30% increase from Group 3*

STAINLESS STEEL: SS

SPLIT FINISHES: SEE PAGE 32

*Pricing subject to change

MODERN PLP PULLEDOWN FAUCET / LEVER SPRAYER

LIST PRICES:

MODEL #	GRP 1	GRP 2	GRP 3	SS
9850	2358	2476	3227	3313

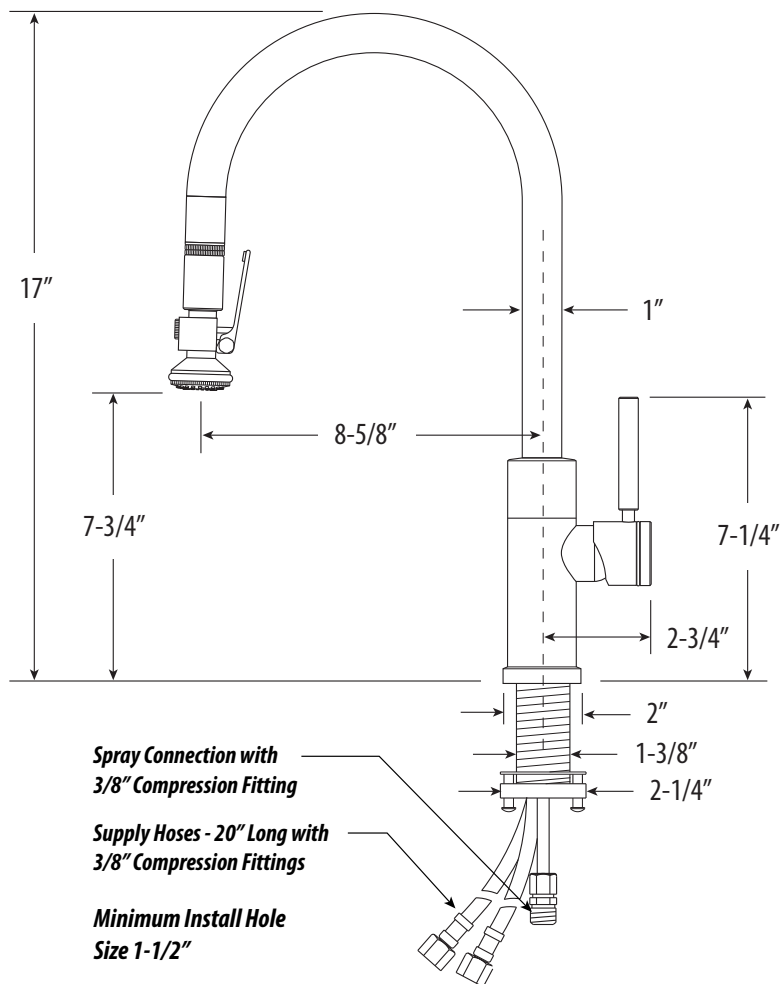
FEATURES:

- Thin, sleek body design gives a clean and simplistic look.
- "Positive Lock Pulldown" design locks sprayer in place when not in use.
- Spout has 8-5/8" reach and can swivel 360 degrees.
- Lever handle spray head pulls out 18" from spout.
- Counterbalanced weight on spray hose allows smooth pull out and prevents snap back.
- 1.75 gpm maximum flow rate with aerated tip.
- 25mm hot/cold ceramic disk valve cartridge
- Compatible with reverse osmosis water and systems.
- Made from eco-friendly solid brass or 316 stainless steel.



MEETS THE FOLLOWING:

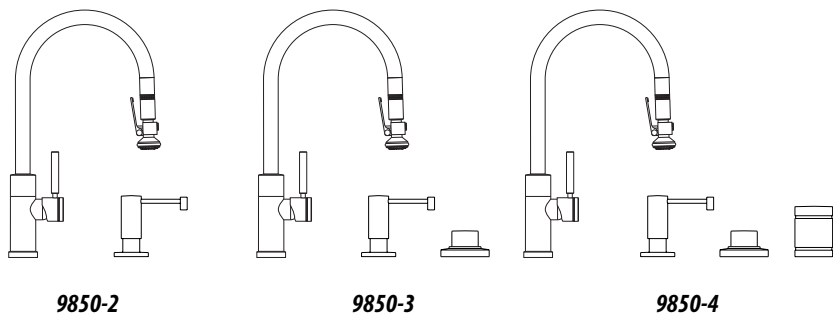
- ASME A112.18.1
- CSA B125.1
- NSF 61, 372
- CALGreen



9850 SUITES

SUITE LIST PRICES:

MODEL #	GRP 1	GRP 2	GRP 3	SS
9850-2	2835	2977	3880	3983
9850-3	3284	3449	4495	4615
9850-4	3569	3748	4884	5015



- 2pc. Suite Soap/Lotion Dispenser (4065)
- 3pc. Suite includes Soap/Lotion Dispenser (4065) and Air Switch (3010)
- 4pc. Suite includes Soap/Lotion Dispenser (4065), Air Switch (3010) and Single Port Air Gap (3020)

FINISH GROUP 1: CH
FINISH GROUP 2: BLN, CHB, CLZ, GR, MB, MW, PB, PN, SB, SC, SN, UPB
FINISH GROUP 3: AB, ABZ, AC, AMB, AP, CB, DAB, DAC, DAMB, DAP, MAB, MAC, MAP, ORB, PC, TB

PRECIOUS METALS: PG, SG - 30% increase from Group 3*
STAINLESS STEEL: SS
SPLIT FINISHES: SEE PAGE 32

*Pricing subject to change

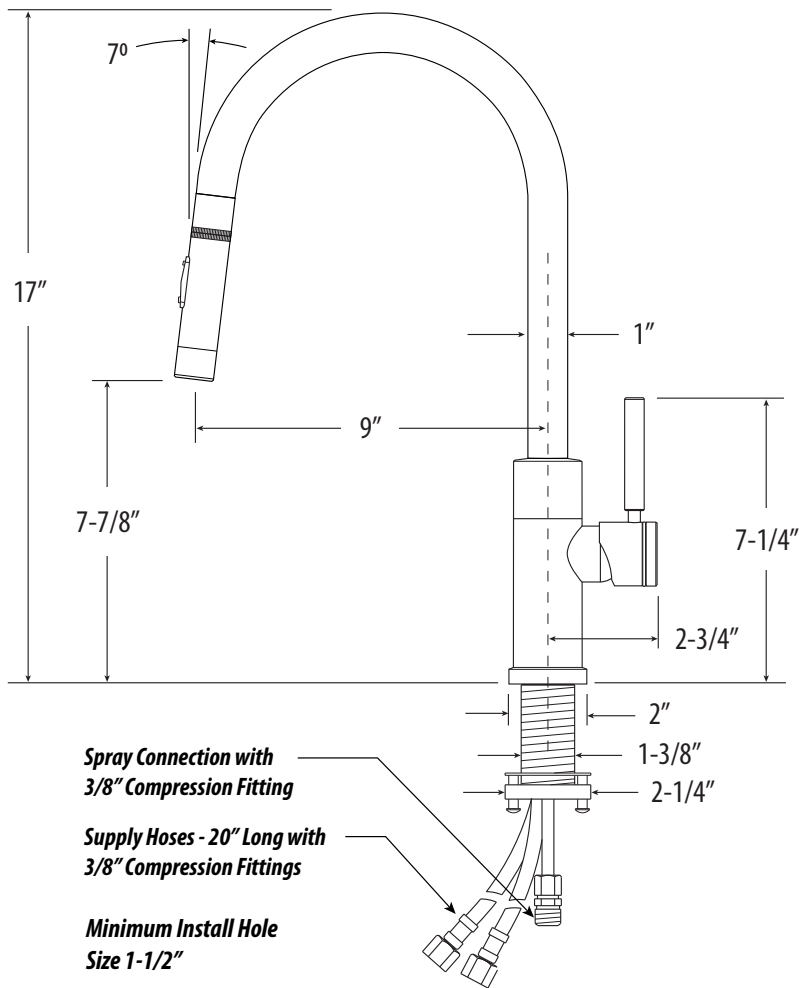
MODERN PLP PULLDOWN FAUCET / ANGLED SPOUT / TOGGLE SPRAYER

LIST PRICES:

MODEL #	GRP 1	GRP 2	GRP 3	SS
9460	2093	2198	2863	2942

FEATURES:

- 7 degree angled spout flows outward towards middle of sink.
- Thin, sleek faucet body design is perfect for minimal kitchens.
- "Positive Lock Pulldown" design locks sprayer in place when not in use.
- Spout has 9" reach and can swivel 360 degrees.
- Toggle handle spray head pulls out 18" from spout.
- 1.75 gpm maximum flow rate with aerated tip.
- 25mm hot/cold ceramic disk valve cartridge.
- Compatible with reverse osmosis water and systems.
- Made from solid brass or 316 stainless steel.



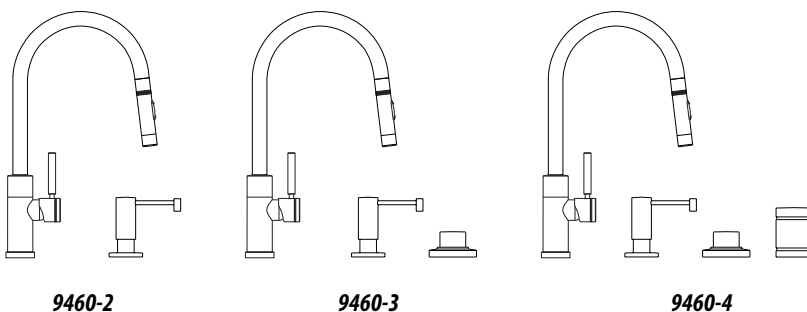
MEETS THE FOLLOWING:

- ASME A112.18.1
- CSA B125.1
- NSF 61, 372
- CALGreen

9460 SUITES

SUITE LIST PRICES:

MODEL #	GRP 1	GRP 2	GRP 3	SS
9460-2	2570	2699	3516	3612
9460-3	3019	3171	4131	4244
9460-4	3304	3470	4520	4644



- 2pc. Suite Soap/Lotion Dispenser (4065)
- 3pc. Suite includes Soap/Lotion Dispenser (4065) and Air Switch (3010)
- 4pc. Suite includes Soap/Lotion Dispenser (4065), Air Switch (3010) and Single Port Air Gap (3020)

FINISH GROUP 1: CH
FINISH GROUP 2: BLN, CHB, CLZ, GR, MB, MW, PB, PN, SB, SC, SN, UPB
FINISH GROUP 3: AB, ABZ, AC, AMB, AP, CB, DAB, DAC, DAMB, DAP, MAB, MAC, MAP, ORB, PC, TB

PRECIOUS METALS: PG, SG - 30% increase from Group 3*
STAINLESS STEEL: SS
SPLIT FINISHES: SEE PAGE 32

*Pricing subject to change

MODERN PLP PULLDOWN FAUCET / ANGLED SPOUT / LEVER SPRAYER

LIST PRICES:

MODEL #	GRP 1	GRP 2	GRP 3	SS
9860	2462	2586	3370	3460

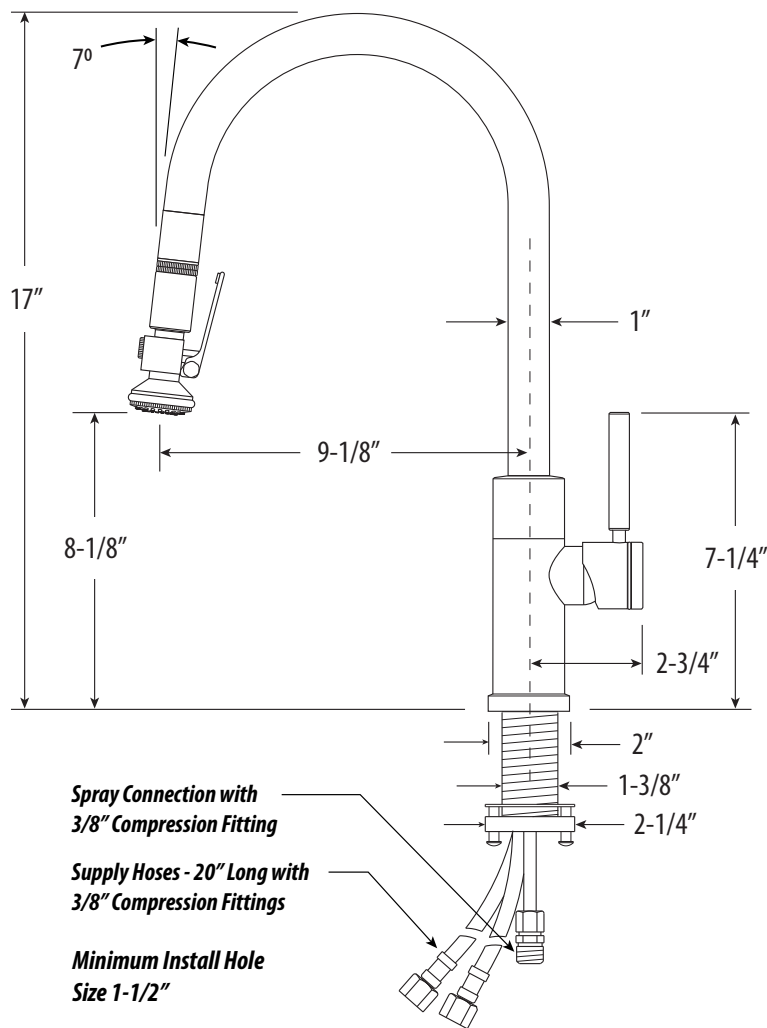
FEATURES:

- 7 degree angled spout flows outward towards middle of sink.
- Thin, sleek body design gives a clean and simplistic look.
- "Positive Lock Pulldown" design locks sprayer in place when not in use.
- Spout has 9-1/8" reach and can swivel 360 degrees.
- Lever handle spray head pulls out 18" from spout.
- 1.75 gpm maximum flow rate with aerated tip.
- 25mm hot/cold ceramic disk valve cartridge.
- Compatible with reverse osmosis water and systems.
- Made from solid brass or 316 stainless steel.



MEETS THE FOLLOWING:

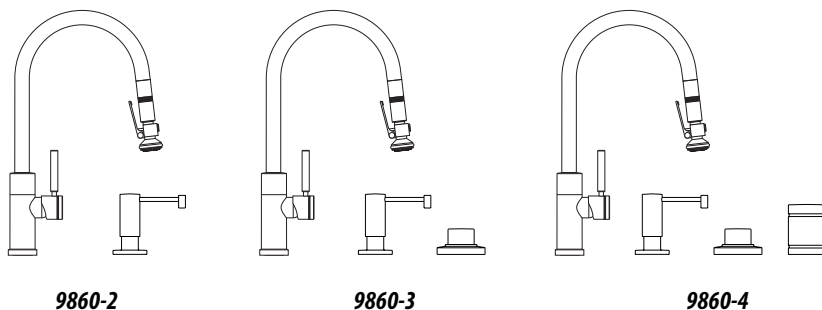
- ASME A112.18.1
- CSA B125.1
- NSF 61, 372
- CALGreen



9860 SUITES

SUITE LIST PRICES:

MODEL #	GRP 1	GRP 2	GRP 3	SS
9860-2	2939	3087	4023	4130
9860-3	3388	3559	4638	4762
9860-4	3673	3858	5027	5162



- 2pc. Suite Soap/Lotion Dispenser (4065)
- 3pc. Suite includes Soap/Lotion Dispenser (4065) and Air Switch (3010)
- 4pc. Suite includes Soap/Lotion Dispenser (4065), Air Switch (3010) and Single Port Air Gap (3020)

FINISH GROUP 1: CH
FINISH GROUP 2: BLN, CHB, CLZ, GR, MB, MW, PB, PN, SB, SC, SN, UPB
FINISH GROUP 3: AB, ABZ, AC, AMB, AP, CB, DAB, DAC, DAMB, DAP, MAB, MAC, MAP, ORB, PC, TB

PRECIOUS METALS: PG, SG - 30% increase from Group 3*
STAINLESS STEEL: SS
SPLIT FINISHES: SEE PAGE 32

*Pricing subject to change

MODERN PREP SIZE PLP PULLDOWN FAUCET / TOGGLE SPRAYER

LIST PRICES:

MODEL #	GRP 1	GRP 2	GRP 3	SS
9950	1959	2057	2680	2752

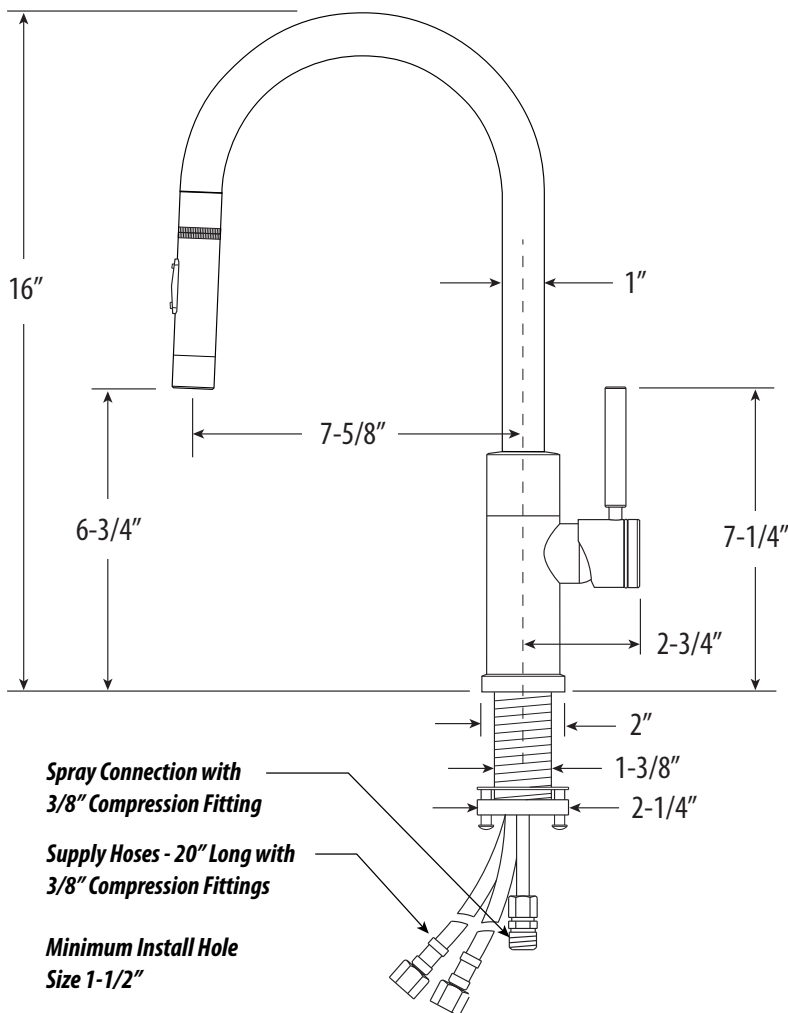
FEATURES:

- Smaller food prep version of the standard reach PLP Pulldown.
- Thin, sleek faucet body design is perfect for minimalistic kitchens.
- "Positive Lock Pulldown" design locks sprayer in place when not in use.
- Spout has 7-5/8" reach and can swivel 360 degrees.
- Toggle handle spray head pulls out 18" from spout.
- When pushed, sprayer toggle button locks in place and instantly diverts water from aerated stream to wide spray.
- 1.75 gpm maximum flow rate with aerated tip.
- 25mm hot/cold ceramic disk valve cartridge.
- Compatible with reverse osmosis water and systems.
- Made from eco-friendly solid brass or 316 stainless steel.



MEETS THE FOLLOWING:

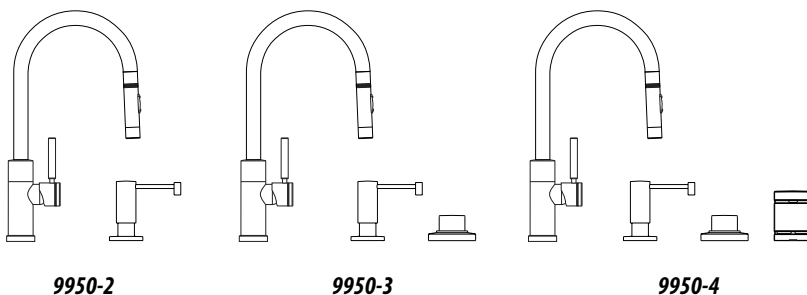
- ASME A112.18.1
- CSA B125.1
- NSF 61, 372
- CALGreen



9950 SUITES

SUITE LIST PRICES:

MODEL #	GRP 1	GRP 2	GRP 3	SS
9950-2	2436	2558	3333	3422
9950-3	2885	3030	3948	4054
9950-4	3170	3329	4337	4454



2pc. Suite Soap/Lotion Dispenser (4065)

3pc. Suite includes Soap/Lotion Dispenser (4065) and Air Switch (3010)

4pc. Suite includes Soap/Lotion Dispenser (4065), Air Switch (3010) and Single Port Air Gap (3020)

FINISH GROUP 1: CH

FINISH GROUP 2: BLN, CHB, CLZ, GR, MB, MW, PB, PN, SB, SC, SN, UPB

FINISH GROUP 3: AB, ABZ, AC, AMB, AP, CB, DAB, DAC, DAMB, DAP, MAB, MAC, MAP, ORB, PC, TB

PRECIOUS METALS: PG, SG - 30% increase from Group 3*

STAINLESS STEEL: SS

SPLIT FINISHES: SEE PAGE 32

*Pricing subject to change

MODERN PREP SIZE PLP PULLDOWN FAUCET / LEVER SPRAYER

LIST PRICES:

MODEL #	GRP 1	GRP 2	GRP 3	SS
9980	2328	2445	3185	3272

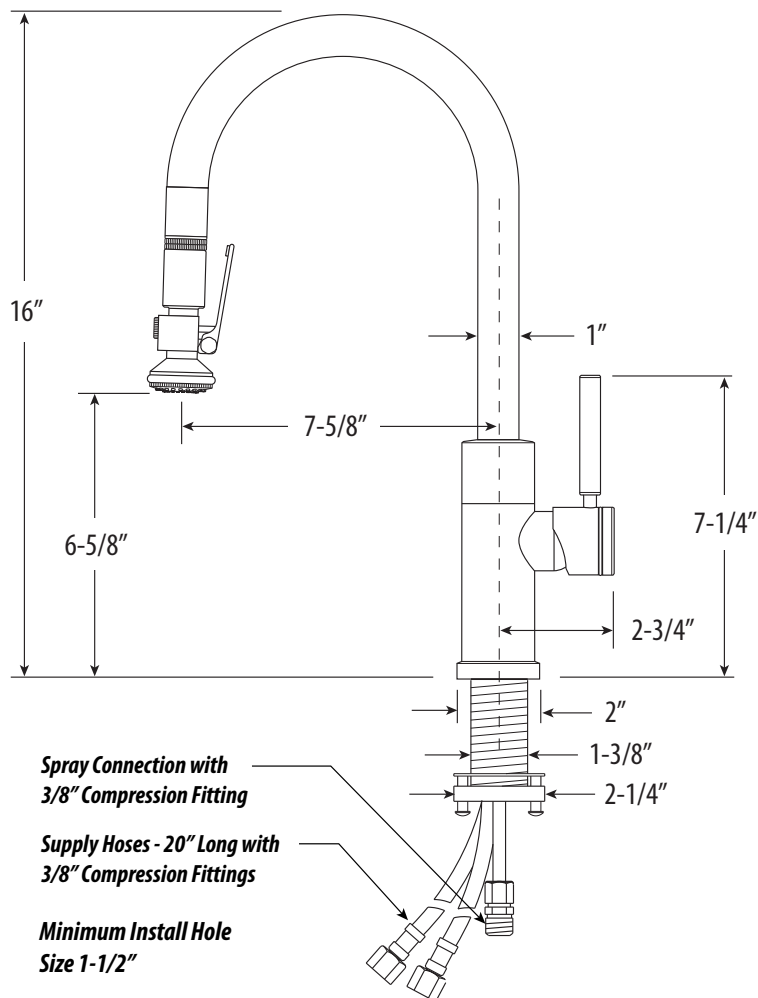
FEATURES:

- Smaller, food prep version of the standard reach PLP Pulldown.
- Thin, sleek body design gives a clean and simplistic look.
- "Positive Lock Pulldown" design locks sprayer in place when not in use.
- Spout has 7-5/8" reach and can swivel 360 degrees.
- Lever handle spray head pulls out 18" from spout.
- 25mm hot/cold ceramic disk valve cartridge.
- 1.75 gpm maximum flow rate with aerated tip.
- Compatible with reverse osmosis water and systems.
- Made from eco-friendly solid brass or 316 stainless steel.



MEETS THE FOLLOWING:

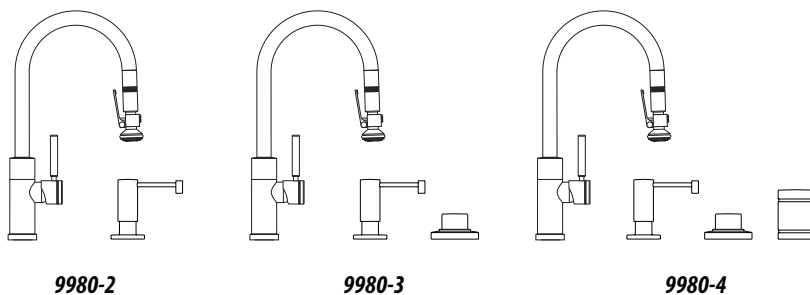
- ASME A112.18.1
- CSA B125.1
- NSF 61, 372
- CALGreen



9980 SUITES

SUITE LIST PRICES:

MODEL #	GRP 1	GRP 2	GRP 3	SS
9980-2	2805	2946	3838	3942
9980-3	3254	3418	4453	4574
9980-4	3539	3717	4842	4974



- 2pc. Suite Soap/Lotion Dispenser (4065)
- 3pc. Suite includes Soap/Lotion Dispenser (4065) and Air Switch (3010)
- 4pc. Suite includes Soap/Lotion Dispenser (4065), Air Switch (3010) and Single Port Air Gap (3020)

FINISH GROUP 1: CH
FINISH GROUP 2: BLN, CHB, CLZ, GR, MB, MW, PB, PN, SB, SC, SN, UPB
FINISH GROUP 3: AB, ABZ, AC, AMB, AP, CB, DAB, DAC, DAMB, DAP, MAB, MAC, MAP, ORB, PC, TB

PRECIOUS METALS: PG, SG - 30% increase from Group 3*
STAINLESS STEEL: SS
SPLIT FINISHES: SEE PAGE 32

*Pricing subject to change

MODERN PREP SIZE PLP PULLDOWN FAUCET / ANGLED SPOUT / TOGGLE SPRAYER

LIST PRICES:

MODEL #	GRP 1	GRP 2	GRP 3	SS
9960	1965	2063	2688	2761

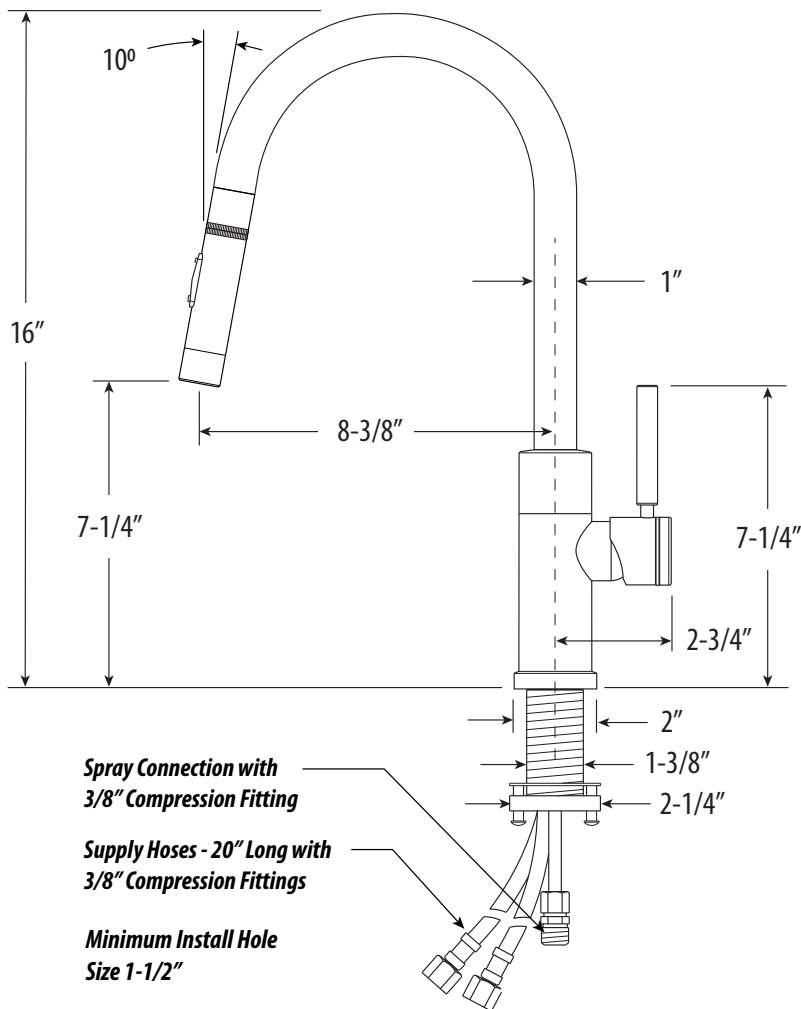
FEATURES:

- 10 degree angled spout flows outward towards middle of sink.
- Smaller food prep version of the standard reach PLP Pulldown.
- Thin, sleek faucet body design is perfect for modern kitchens.
- "Positive Lock Pulldown" design locks sprayer in place when not in use.
- Spout has 8-3/8" reach and can swivel 360 degrees.
- Toggle handle spray head pulls out 18" from spout.
- 1.75 gpm maximum flow rate with aerated tip.
- 25mm hot/cold ceramic disk valve cartridge.
- Compatible with reverse osmosis water and systems.
- Made from eco-friendly solid brass or 316 stainless steel.



MEETS THE FOLLOWING:

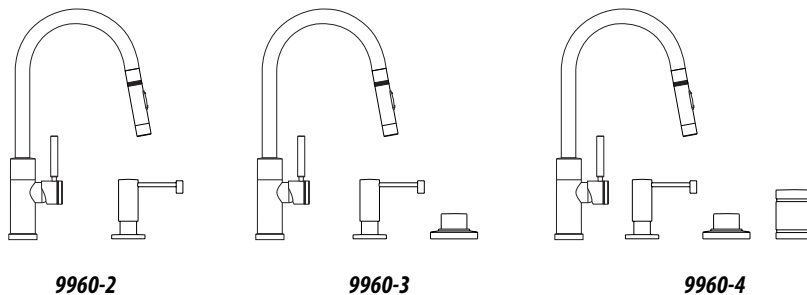
- ASME A112.18.1
- CSA B125.1
- NSF 61, 372
- CALGreen



9960 SUITES

SUITE LIST PRICES:

MODEL #	GRP 1	GRP 2	GRP 3	SS
9960-2	2442	2564	3341	3431
9960-3	2891	3036	3956	4063
9960-4	3176	3335	4345	4463



- 2pc. Suite Soap/Lotion Dispenser (4065)
- 3pc. Suite includes Soap/Lotion Dispenser (4065) and Air Switch (3010)
- 4pc. Suite includes Soap/Lotion Dispenser (4065), Air Switch (3010) and Single Port Air Gap (3020)

FINISH GROUP 1: CH
FINISH GROUP 2: BLN, CHB, CLZ, GR, MB, MW, PB, PN, SB, SC, SN, UPB
FINISH GROUP 3: AB, ABZ, AC, AMB, AP, CB, DAB, DAC, DAMB, DAP, MAB, MAC, MAP, ORB, PC, TB

PRECIOUS METALS: PG, SG - 30% increase from Group 3*
STAINLESS STEEL: SS
SPLIT FINISHES: SEE PAGE 32

*Pricing subject to change

MODERN PREP SIZE PLP PULLDOWN FAUCET / ANGLED SPOUT / LEVER SPRAYER

LIST PRICES:

MODEL #	GRP 1	GRP 2	GRP 3	SS
9990	2335	2451	3194	3281

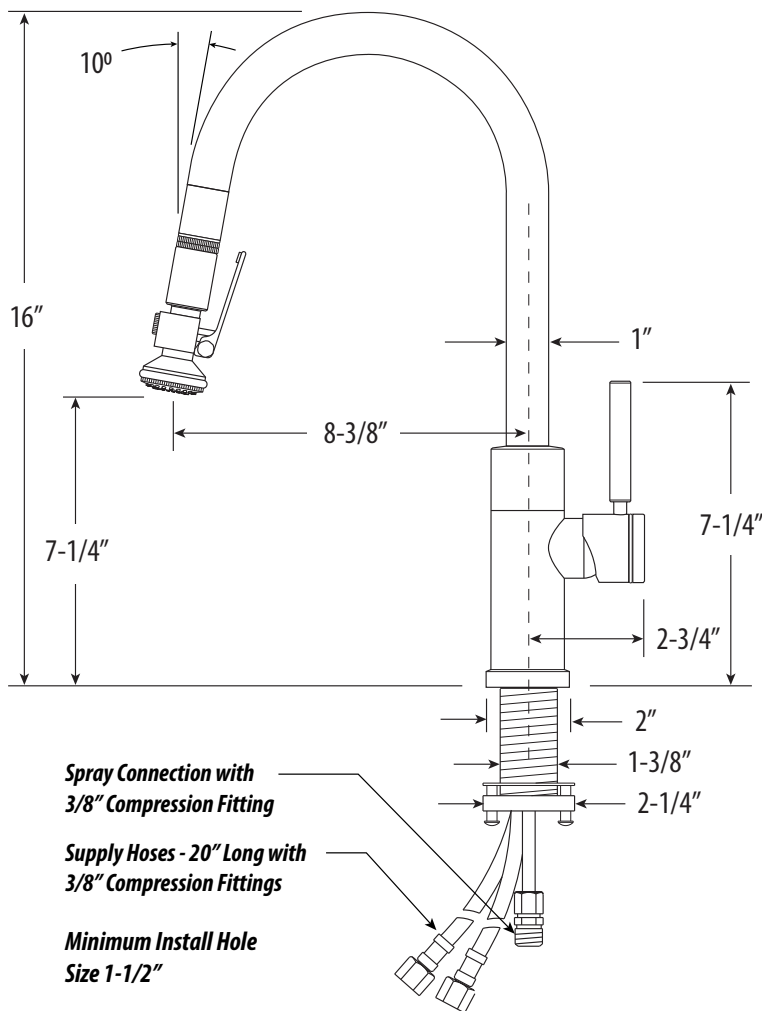
FEATURES:

- 10 degree angled spout flows outward towards middle of sink.
- Smaller food prep version of the standard reach PLP Pulldown.
- Thin, sleek body design gives a clean and simplistic look.
- "Positive Lock Pulldown" design locks sprayer in place when not in use.
- Spout has 8-3/8" reach and can swivel 360 degrees.
- Lever handle spray head pulls out 18" from spout.
- 1.75 gpm maximum flow rate with aerated tip.
- 25mm hot/cold ceramic disk valve cartridge.
- Compatible with reverse osmosis water and systems.
- Made from solid brass or 316 stainless steel.



MEETS THE FOLLOWING:

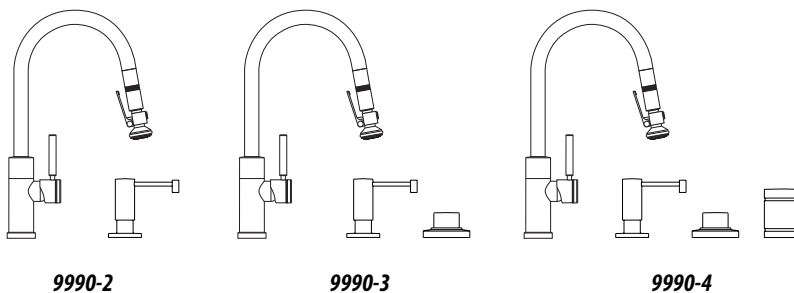
- ASME A112.18.1
- CSA B125.1
- NSF 61, 372
- CALGreen



9990 SUITES

SUITE LIST PRICES:

MODEL #	GRP 1	GRP 2	GRP 3	SS
9990-2	2812	2952	3847	3951
9990-3	3261	3424	4462	4583
9990-4	3546	3723	4851	4983



- 2pc. Suite Soap/Lotion Dispenser (4065)
- 3pc. Suite includes Soap/Lotion Dispenser (4065) and Air Switch (3010)
- 4pc. Suite includes Soap/Lotion Dispenser (4065), Air Switch (3010) and Single Port Air Gap (3020)

FINISH GROUP 1: CH
FINISH GROUP 2: BLN, CHB, CLZ, GR, MB, MW, PB, PN, SB, SC, SN, UPB
FINISH GROUP 3: AB, ABZ, AC, AMB, AP, CB, DAB, DAC, DAMB, DAP, MAB, MAC, MAP, ORB, PC, TB

PRECIOUS METALS: PG, SG - 30% increase from Group 3*
STAINLESS STEEL: SS
SPLIT FINISHES: SEE PAGE 32

*Pricing subject to change

FULTON INDUSTRIAL PLP PULLDOWN FAUCETS

TOGGLE SPRAYERS



*PLP Pulldown Faucet - 10200
(pg. 106)*



*PLP Pulldown Faucet - 10210
(pg. 108)*



*PLP Pulldown Faucet - 10220
(pg. 110)*



*Prep Size PLP Pulldown Faucet - 10230
(pg. 112)*



*Prep Size PLP Pulldown Faucet - 10240
(pg. 114)*

LEVER SPRAYERS



*PLP Pulldown Faucet - 10250
(pg. 107)*



*PLP Pulldown Faucet - 10260
(pg. 109)*



*PLP Pulldown Faucet - 10270
(pg. 111)*



*Prep Size PLP Pulldown Faucet - 10280
(pg. 113)*



*Prep Size PLP Pulldown Faucet - 10290
(pg. 115)*

FULTON INDUSTRIAL EXTENDED REACH PLP PULLDOWN FAUCET / TOGGLE SPRAYER

LIST PRICES:

MODEL #	GRP 1	GRP 2	GRP 3	SS
10200	2422	2542	3314	3404

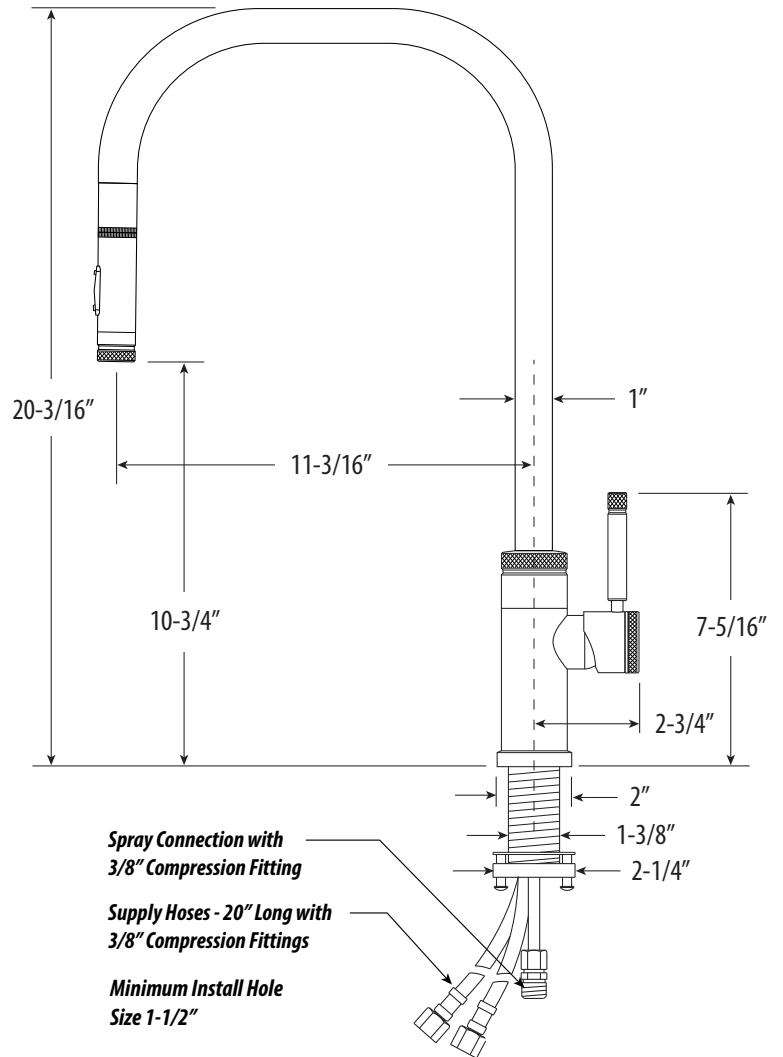
FEATURES:

- Modern diamond knurling gives industrial look.
- Thin, sleek faucet body design is perfect for modern kitchens.
- "Positive Lock Pulldown" design locks sprayer in place when not in use.
- 2 bend U-spout has 11-3/16" extended reach for larger sinks and can swivel 360 degrees.
- Toggle handle spray head pulls out 18" from spout.
- 1.75 gpm maximum flow rate with aerated tip.
- 25mm hot/cold ceramic disk valve cartridge.
- Compatible with reverse osmosis water and systems.
- Made from eco-friendly solid brass or 316 stainless steel.



MEETS THE FOLLOWING:

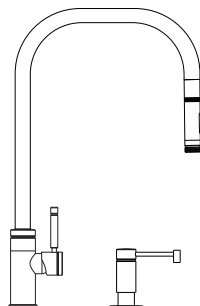
- ASME A112.18.1
- CSA B125.1
- NSF 61, 372
- CALGreen



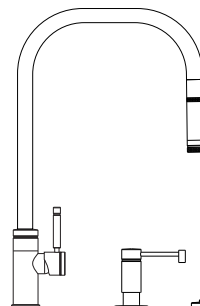
10200 SUITES

SUITE LIST PRICES:

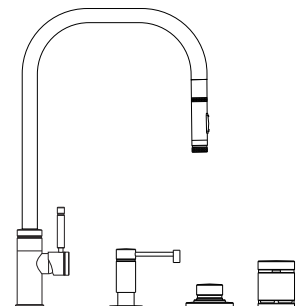
MODEL #	GRP 1	GRP 2	GRP 3	SS
10200-2	2902	3047	3972	4079
10200-3	3355	3523	4592	4715
10200-4	3652	3835	4999	5132



10200-2



10200-3



10200-4

2pc. Suite Soap/Lotion Dispenser (9065)

3pc. Suite includes Soap/Lotion Dispenser (9065) and Air Switch (9010)

4pc. Suite includes Soap/Lotion Dispenser (9065), Air Switch (9010) and Single Port Air Gap (9020)

FINISH GROUP 1: CH

FINISH GROUP 2: BLN, CHB, CLZ, GR, MB, MW, PB, PN, SB, SC, SN, UPB

FINISH GROUP 3: AB, ABZ, AC, AMB, AP, CB, DAB, DAC, DAMB, DAP, MAB, MAC, MAP, ORB, PC, TB

PRECIOUS METALS: PG, SG - 30% increase from Group 3*

STAINLESS STEEL: SS

SPLIT FINISHES: SEE PAGE 32

*Pricing subject to change

FULTON INDUSTRIAL EXTENDED REACH PLP PULLDOWN FAUCET / LEVER SPRAYER

LIST PRICES:

MODEL #	GRP 1	GRP 2	GRP 3	SS
10250	2821	2961	3860	3965

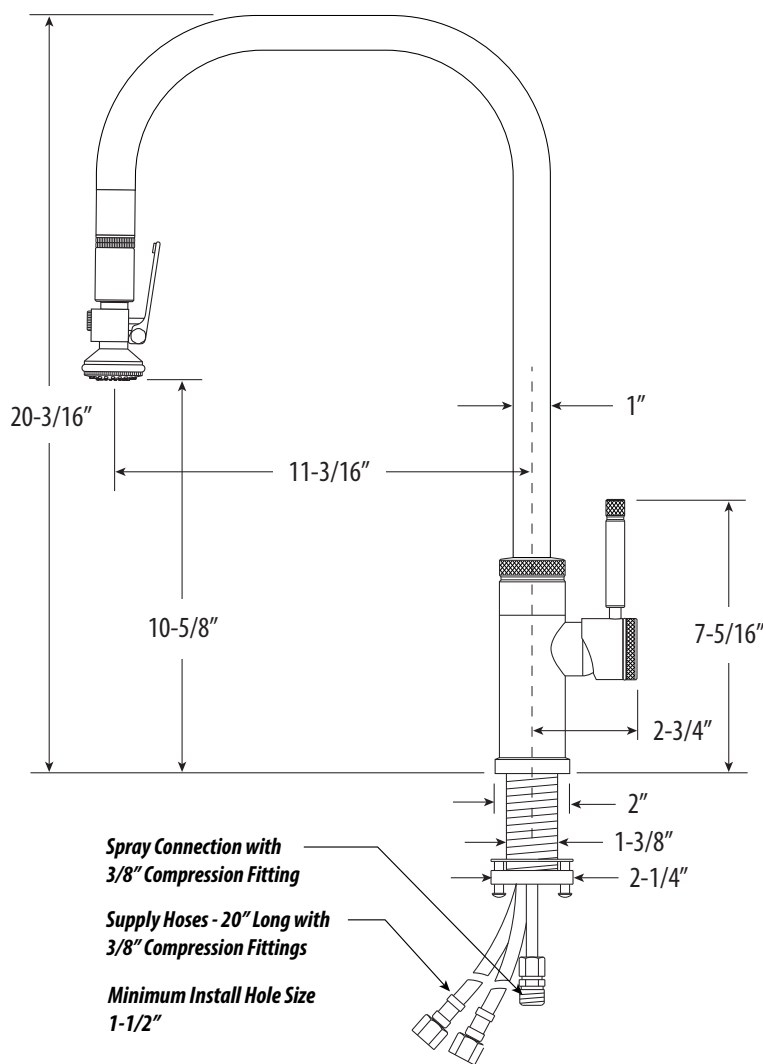
FEATURES:

- Modern diamond knurling gives industrial look.
- "Positive Lock Pulldown" design locks sprayer in place when not in use.
- 2 bend U-spout has 11-3/16" extended reach for larger sinks and can swivel 360 degrees.
- Lever handle spray head pulls out 18" from spout.
- 1.75 gpm maximum flow rate with aerated tip.
- 25mm hot/cold ceramic disk valve cartridge.
- Compatible with reverse osmosis water and systems.
- Made from eco-friendly solid brass or 316 stainless steel.



MEETS THE FOLLOWING:

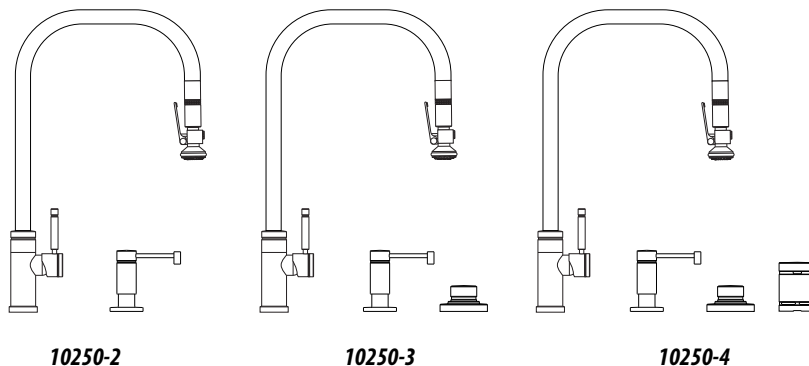
- ASME A112.18.1
- CSA B125.1
- NSF 61, 372
- CALGreen



10250 SUITES

SUITE LIST PRICES:

MODEL #	GRP 1	GRP 2	GRP 3	SS
10250-2	3301	3466	4518	4640
10250-3	3754	3942	5138	5276
10250-4	4051	4254	5545	5693



- 2pc. Suite Soap/Lotion Dispenser (9065)
- 3pc. Suite includes Soap/Lotion Dispenser (9065) and Air Switch (9010)
- 4pc. Suite includes Soap/Lotion Dispenser (9065), Air Switch (9010) and Single Port Air Gap (9020)

FINISH GROUP 1: CH
FINISH GROUP 2: BLN, CHB, CLZ, GR, MB, MW, PB, PN, SB, SC, SN, UPB
FINISH GROUP 3: AB, ABZ, AC, AMB, AP, CB, DAB, DAC, DAMB, DAP, MAB, MAC, MAP, ORB, PC, TB

PRECIOUS METALS: PG, SG - 30% increase from Group 3*
STAINLESS STEEL: SS
SPLIT FINISHES: SEE PAGE 32

*Pricing subject to change

FULTON INDUSTRIAL PLP PULLDOWN FAUCET / TOGGLE SPRAYER

LIST PRICES:

MODEL #	GRP 1	GRP 2	GRP 3	SS
10210	2172	2281	2971	3053

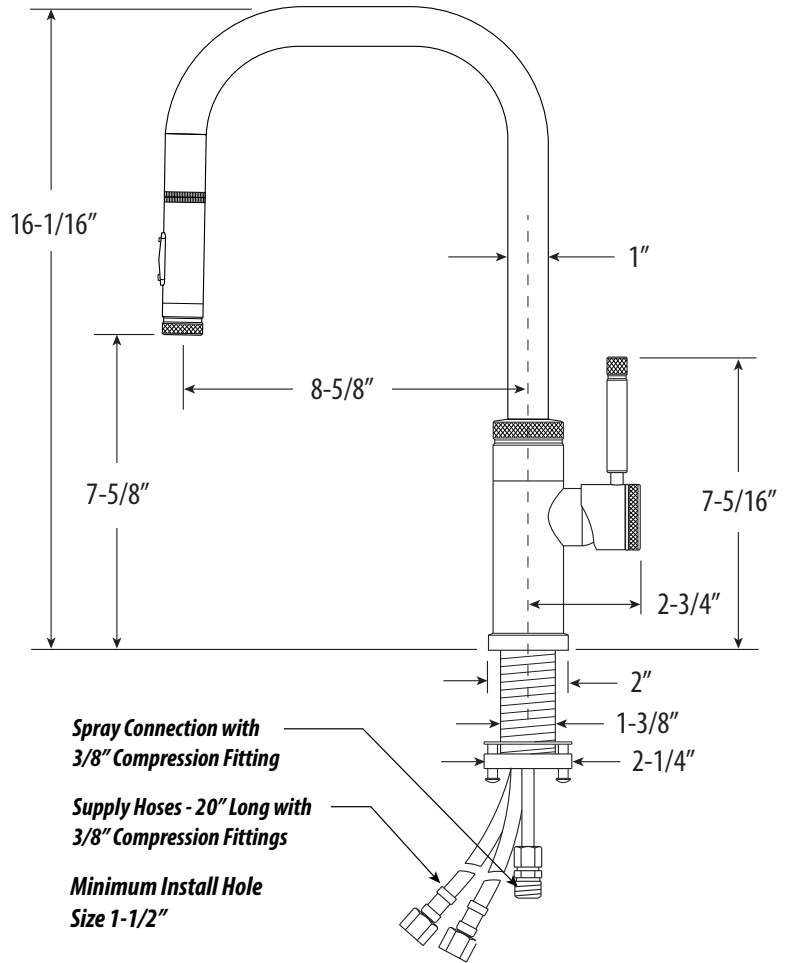
FEATURES:

- Thin, sleek faucet body design is perfect for modern kitchens.
- Modern diamond cut knurling gives industrial look.
- "Positive Lock Pulldown" design locks sprayer in place when not in use.
- 2 bend U-spout has 8-5/8" reach and can swivel 360 degrees.
- Toggle handle spray head pulls out 18" from spout.
- 1.75 gpm maximum flow rate with aerated tip.
- 25mm hot/cold ceramic disk valve cartridge.
- Compatible with reverse osmosis water and systems.
- Made from eco-friendly solid brass or 316 stainless steel.



MEETS THE FOLLOWING:

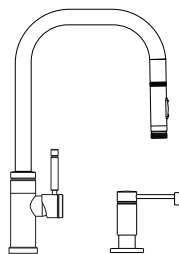
- ASME A112.18.1
- CSA B125.1
- NSF 61, 372
- CALGreen



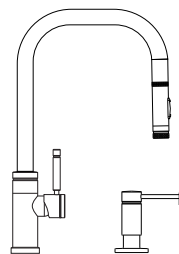
10210 SUITES

SUITE LIST PRICES:

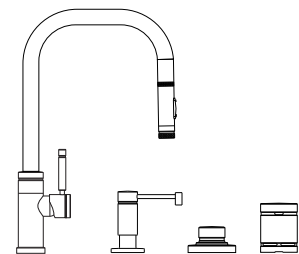
MODEL #	GRP 1	GRP 2	GRP 3	SS
10210-2	2652	2786	3629	3728
10210-3	3105	3262	4249	4364
10210-4	3402	3574	4656	4781



10210-2



10210-3



10210-4

2pc. Suite Soap/Lotion Dispenser (9065)

3pc. Suite includes Soap/Lotion Dispenser (9065) and Air Switch (9010)

4pc. Suite includes Soap/Lotion Dispenser (9065), Air Switch (9010) and Single Port Air Gap (9020)

FINISH GROUP 1: CH

FINISH GROUP 2: BLN, CHB, CLZ, GR, MB, MW, PB, PN, SB, SC, SN, UPB

FINISH GROUP 3: AB, ABZ, AC, AMB, AP, CB, DAB, DAC, DAMB, DAP, MAB, MAC, MAP, ORB, PC, TB

PRECIOUS METALS: PG, SG - 30% increase from Group 3*

STAINLESS STEEL: SS

SPLIT FINISHES: SEE PAGE 32

*Pricing subject to change

FULTON INDUSTRIAL PLP PULLDOWN FAUCET / LEVER SPRAYER

LIST PRICES:

MODEL #	GRP 1	GRP 2	GRP 3	SS
10260	2568	2696	3512	3608

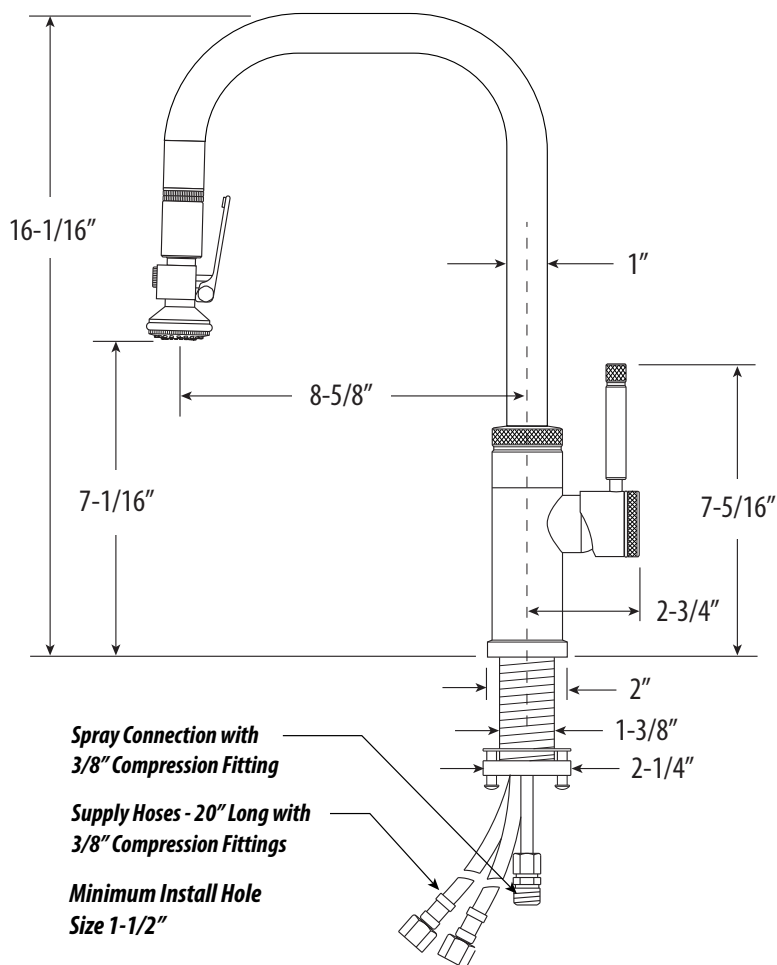
FEATURES:

- Thin, sleek faucet body design is perfect for modern kitchens.
- Modern diamond cut knurling gives industrial look.
- "Positive Lock Pulldown" design locks sprayer in place when not in use.
- 2 bend U-spout has 8-5/8" reach and can swivel 360 degrees.
- Lever handle spray head pulls out 18" from spout.
- 1.75 gpm maximum flow rate with aerated tip.
- 25mm hot/cold ceramic disk valve cartridge.
- Compatible with reverse osmosis water and systems.
- Made from eco-friendly solid brass or 316 stainless steel.



MEETS THE FOLLOWING:

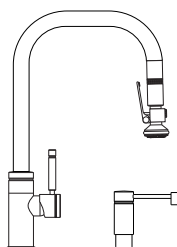
- ASME A112.18.1
- CSA B125.1
- NSF 61, 372
- CALGreen



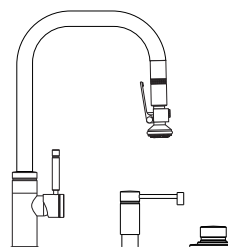
10260 SUITES

SUITE LIST PRICES:

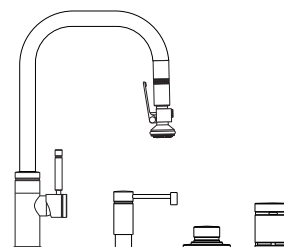
MODEL #	GRP 1	GRP 2	GRP 3	SS
10260-2	3048	3201	4170	4283
10260-3	3501	3677	4790	4919
10260-4	3798	3989	5197	5336



10260-2



10260-3



10260-4

2pc. Suite Soap/Lotion Dispenser (9065)

3pc. Suite includes Soap/Lotion Dispenser (9065) and Air Switch (9010)

4pc. Suite includes Soap/Lotion Dispenser (9065), Air Switch (9010) and Single Port Air Gap (9020)

FINISH GROUP 1: CH

FINISH GROUP 2: BLN, CHB, CLZ, GR, MB, MW, PB, PN, SB, SC, SN, UPB

FINISH GROUP 3: AB, ABZ, AC, AMB, AP, CB, DAB, DAC, DAMB, DAP, MAB, MAC, MAP, ORB, PC, TB

PRECIOUS METALS: PG, SG - 30% increase from Group 3*

STAINLESS STEEL: SS

SPLIT FINISHES: SEE PAGE 32

*Pricing subject to change

FULTON INDUSTRIAL PLP PULLDOWN FAUCET / ANGLED SPOUT / TOGGLE SPRAYER

LIST PRICES:

MODEL #	GRP 1	GRP 2	GRP 3	SS
10220	2288	2402	3131	3215

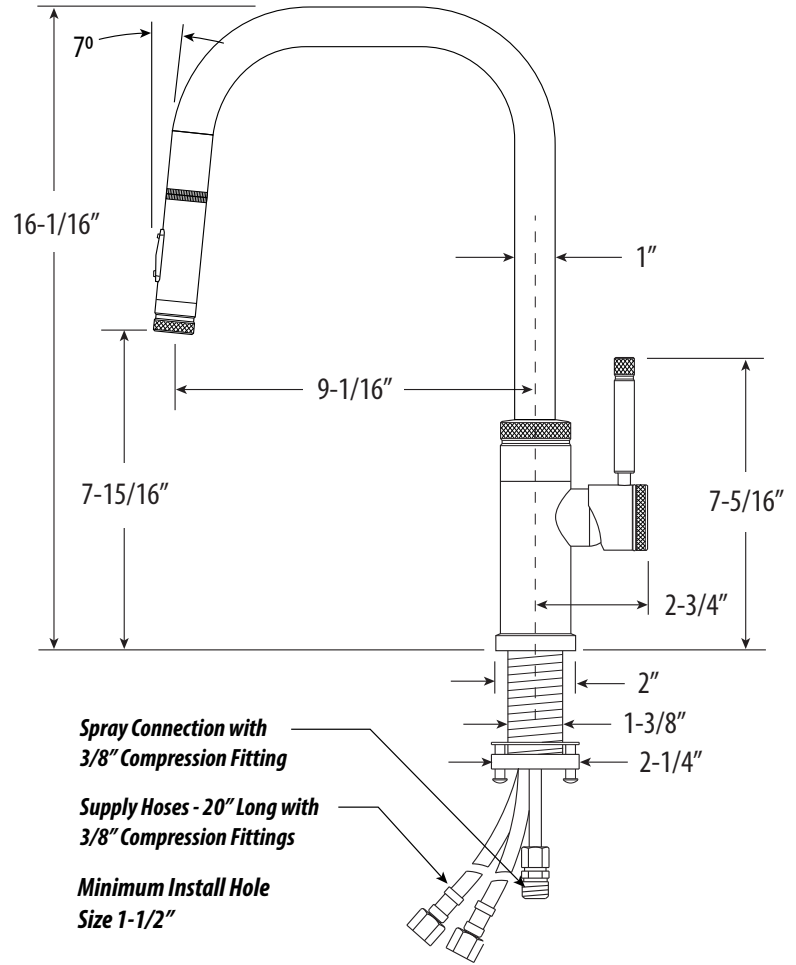
FEATURES:

- 7 degree angled spout flows outward towards middle of sink.
- Thin, sleek faucet body design is perfect for modern kitchens.
- Modern diamond knurling gives industrial look.
- "Positive Lock Pulldown" design locks sprayer in place when not in use.
- 2 bend U-spout has 9-1/16" reach and can swivel 360 degrees.
- Spray swivel design is fully insulated against heat.
- 1.75 gpm maximum flow rate with aerated tip.
- 25mm hot/cold ceramic disk valve cartridge.
- Compatible with reverse osmosis water and systems.
- Made from eco-friendly solid brass or 316 stainless steel.



MEETS THE FOLLOWING:

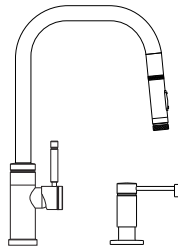
- ASME A112.18.1
- CSA B125.1
- NSF 61, 372
- CALGreen



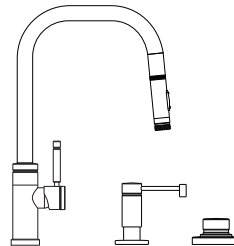
10220 SUITES

SUITE LIST PRICES:

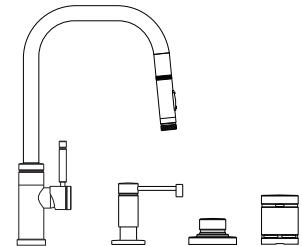
MODEL #	GRP 1	GRP 2	GRP 3	SS
10220-2	2768	2907	3789	3890
10220-3	3221	3383	4409	4526
10220-4	3518	3695	4816	4943



10220-2



10220-3



10220-4

2pc. Suite Soap/Lotion Dispenser (9065)

3pc. Suite includes Soap/Lotion Dispenser (9065) and Air Switch (9010)

4pc. Suite includes Soap/Lotion Dispenser (9065), Air Switch (9010) and Single Port Air Gap (9020)

FINISH GROUP 1: CH

FINISH GROUP 2: BLN, CHB, CLZ, GR, MB, MW, PB, PN, SB, SC, SN, UPB

FINISH GROUP 3: AB, ABZ, AC, AMB, AP, CB, DAB, DAC, DAMB, DAP, MAB, MAC, MAP, ORB, PC, TB

PRECIOUS METALS: PG, SG - 30% increase from Group 3*

STAINLESS STEEL: SS

SPLIT FINISHES: SEE PAGE 32

*Pricing subject to change

FULTON INDUSTRIAL PLP PULLDOWN FAUCET / ANGLED SPOUT / LEVER SPRAYER

LIST PRICES:

MODEL #	GRP 1	GRP 2	GRP 3	SS
10270	2676	2810	3662	3761

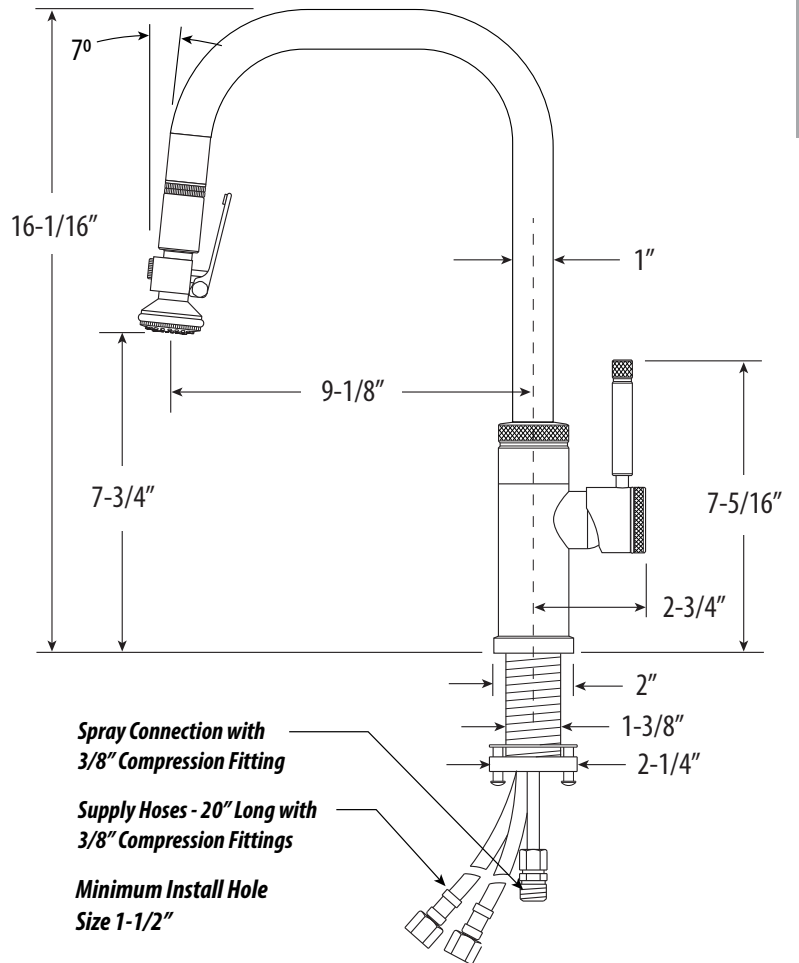
FEATURES:

- 7 degree angled spout flows outward towards middle of sink.
- Modern diamond knurling gives industrial look.
- "Positive Lock Pulldown" design locks sprayer in place when not in use.
- 2 bend U-spout has 9-1/8" reach and can swivel 360 degrees.
- Spray swivel design is fully insulated against heat.
- Lever handle spray head pulls out 18" from spout.
- 1.75 gpm maximum flow rate with aerated tip.
- 25mm hot/cold ceramic disk valve cartridge.
- Compatible with reverse osmosis water and systems.
- Made from eco-friendly solid brass or 316 stainless steel.



MEETS THE FOLLOWING:

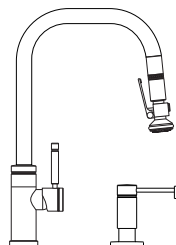
- ASME A112.18.1
- CSA B125.1
- NSF 61, 372
- CALGreen



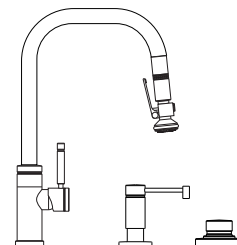
10270 SUITES

SUITE LIST PRICES:

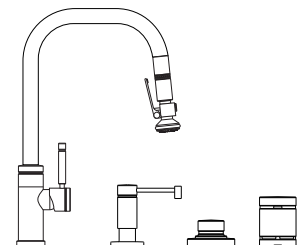
MODEL #	GRP 1	GRP 2	GRP 3	SS
10270-2	3156	3315	4320	4436
10270-3	3609	3791	4940	5072
10270-4	3906	4103	5347	5489



10270-2



10270-3



10270-4

2pc. Suite Soap/Lotion Dispenser (9065)

3pc. Suite includes Soap/Lotion Dispenser (9065) and Air Switch (9010)

4pc. Suite includes Soap/Lotion Dispenser (9065), Air Switch (9010) and Single Port Air Gap (9020)

FINISH GROUP 1: CH

FINISH GROUP 2: BLN, CHB, CLZ, GR, MB, MW, PB, PN, SB, SC, SN, UPB

FINISH GROUP 3: AB, ABZ, AC, AMB, AP, CB, DAB, DAC, DAMB, DAP, MAB, MAC, MAP, ORB, PC, TB

PRECIOUS METALS: PG, SG - 30% increase from Group 3*

STAINLESS STEEL: SS

SPLIT FINISHES: SEE PAGE 32

*Pricing subject to change



FULTON INDUSTRIAL PREP SIZE PLP PULLDOWN FAUCET / TOGGLE SPRAYER

LIST PRICES:

MODEL #	GRP 1	GRP 2	GRP 3	SS
10230	2149	2256	2938	3018

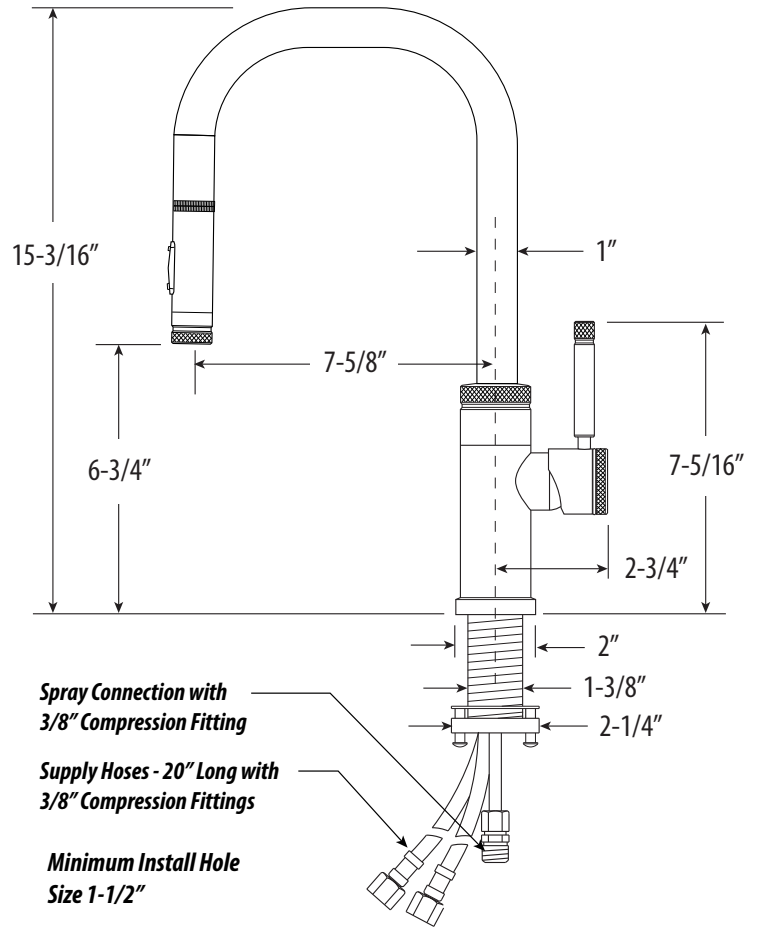
FEATURES:

- Smaller, food prep version of the standard reach PLP Pulldown.
- Modern diamond knurling gives industrial look.
- Thin, sleek faucet body design is perfect for modern kitchens.
- "Positive Lock Pulldown" design locks sprayer in place when not in use.
- 2 bend U-spout has 7-5/8" reach and can swivel 360 degrees.
- Toggle handle spray head pulls out 18" from spout.
- 25mm hot/cold ceramic disk valve cartridge.
- 1.75 gpm maximum flow rate with aerated tip.
- Compatible with reverse osmosis water and systems.
- Made from eco-friendly solid brass or 316 stainless steel.



MEETS THE FOLLOWING:

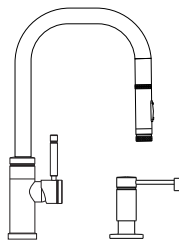
- ASME A112.18.1
- CSA B125.1
- NSF 61, 372
- CALGreen



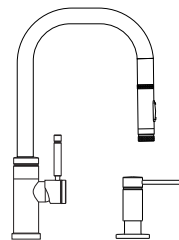
10230 SUITES

SUITE LIST PRICES:

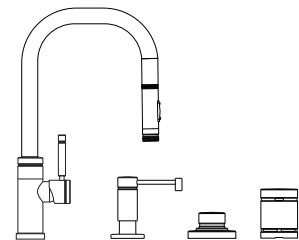
MODEL #	GRP 1	GRP 2	GRP 3	SS
10230-2	2629	2761	3596	3693
10230-3	3082	3237	4216	4329
10230-4	3379	3549	4623	4746



10230-2



10230-3



10230-4

2pc. Suite Soap/Lotion Dispenser (9065)

3pc. Suite includes Soap/Lotion Dispenser (9065) and Air Switch (9010)

4pc. Suite includes Soap/Lotion Dispenser (9065), Air Switch (9010) and Single Port Air Gap (9020)

FINISH GROUP 1: CH

FINISH GROUP 2: BLN, CHB, CLZ, GR, MB, MW, PB, PN, SB, SC, SN, UPB

FINISH GROUP 3: AB, ABZ, AC, AMB, AP, CB, DAB, DAC, DAMB, DAP, MAB, MAC, MAP, ORB, PC, TB

PRECIOUS METALS: PG, SG - 30% increase from Group 3*

STAINLESS STEEL: SS

SPLIT FINISHES: SEE PAGE 32

*Pricing subject to change

FULTON INDUSTRIAL PREP SIZE PLP PULLDOWN FAUCET / LEVER SPRAYER

LIST PRICES:

MODEL #	GRP 1	GRP 2	GRP 3	SS
10280	2550	2677	3487	3582

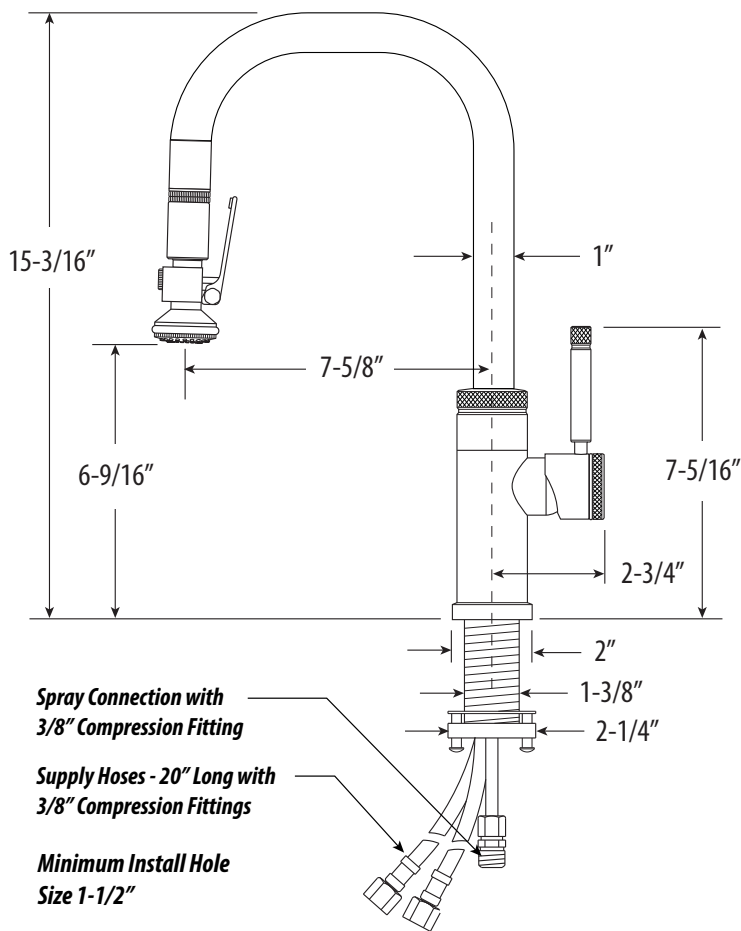
FEATURES:

- Smaller, food prep version of the standard reach PLP Pulldown.
- Modern diamond knurling gives industrial look.
- Thin, sleek faucet body design is perfect for modern kitchens.
- "Positive Lock Pulldown" design locks sprayer in place when not in use.
- 2 bend U-spout has 7-5/8" reach and can swivel 360 degrees.
- Lever handle spray head pulls out 18" from spout.
- 25mm hot/cold ceramic disk valve cartridge.
- 1.75 gpm maximum flow rate with aerated tip.
- Compatible with reverse osmosis water and systems.
- Made from eco-friendly solid brass or 316 stainless steel.



MEETS THE FOLLOWING:

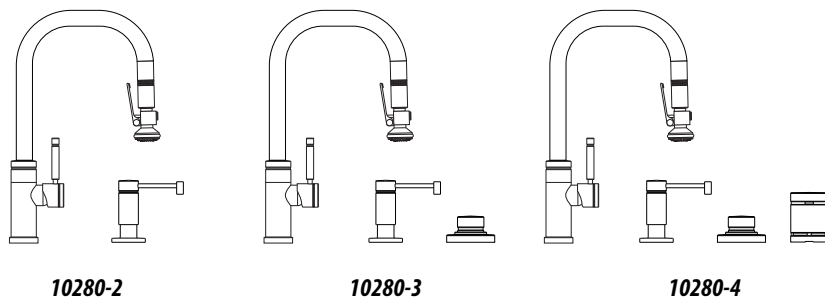
- ASME A112.18.1
- CSA B125.1
- NSF 61, 372
- CALGreen



10280 SUITES

SUITE LIST PRICES:

MODEL #	GRP 1	GRP 2	GRP 3	SS
10280-2	3030	3182	4145	4257
10280-3	3483	3658	4765	4893
10280-4	3780	3970	5172	5310



- 2pc. Suite Soap/Lotion Dispenser (9065)
- 3pc. Suite includes Soap/Lotion Dispenser (9065) and Air Switch (9010)
- 4pc. Suite includes Soap/Lotion Dispenser (9065), Air Switch (9010) and Single Port Air Gap (9020)

FINISH GROUP 1: CH
FINISH GROUP 2: BLN, CHB, CLZ, GR, MB, MW, PB, PN, SB, SC, SN, UPB
FINISH GROUP 3: AB, ABZ, AC, AMB, AP, CB, DAB, DAC, DAMB, DAP, MAB, MAC, MAP, ORB, PC, TB

PRECIOUS METALS: PG, SG - 30% increase from Group 3*
STAINLESS STEEL: SS
SPLIT FINISHES: SEE PAGE 32

*Pricing subject to change

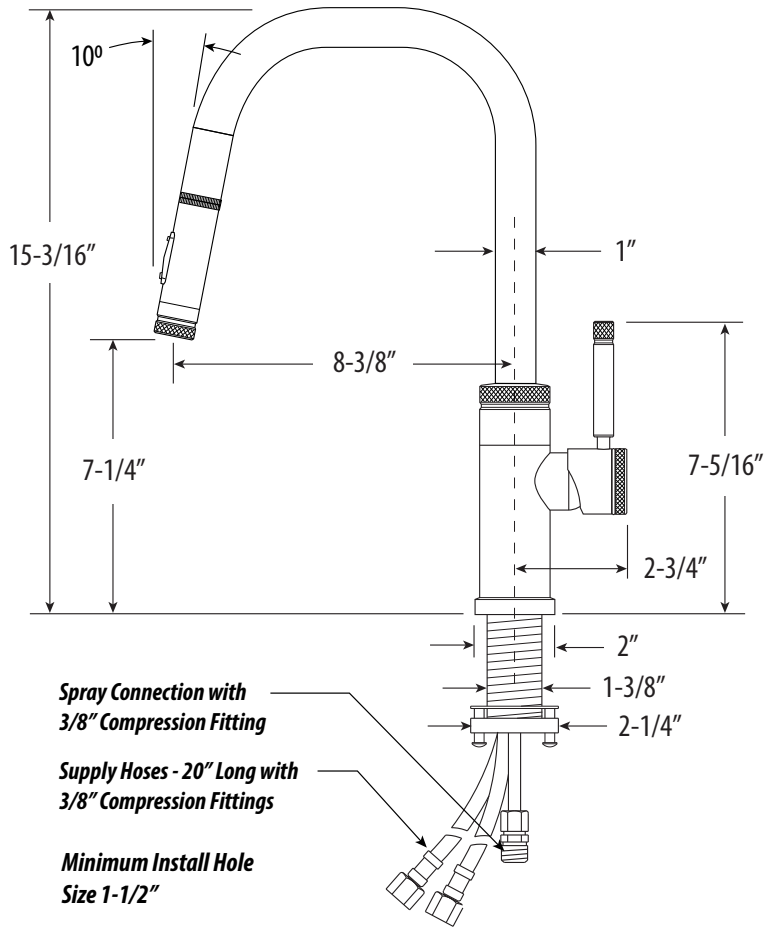
FULTON INDUSTRIAL PREP SIZE PLP PULLDOWN FAUCET / ANGLED SPOUT / TOGGLE SPRAYER

LIST PRICES:

MODEL #	GRP 1	GRP 2	GRP 3	SS
10240	2167	2284	2972	3051

FEATURES:

- 10 degree angled spout flows outward towards middle of sink.
- Smaller food prep version of the standard reach PLP Pulldown.
- Modern diamond cut knurling gives industrial look.
- Thin, sleek faucet body design is perfect for modern kitchens.
- "Positive Lock Pulldown" design locks sprayer in place when not in use.
- 2 bend U-spout has 8-3/8" reach and can swivel 360 degrees.
- Toggle handle spray head pulls out 18" from spout.
- 1.75 gpm maximum flow rate with aerated tip.
- 25mm hot/cold ceramic disk valve cartridge.
- Compatible with reverse osmosis water and systems.
- Made from eco-friendly solid brass or 316 stainless steel.



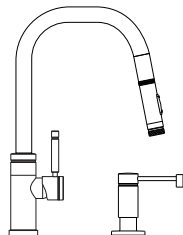
MEETS THE FOLLOWING:

- ASME A112.18.1
- CSA B125.1
- NSF 61, 372
- CALGreen

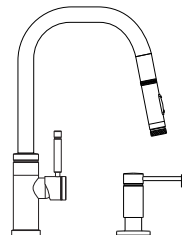
10240 SUITES

SUITE LIST PRICES:

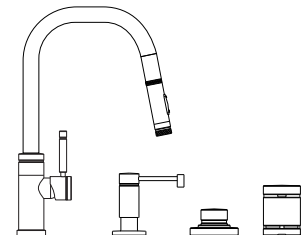
MODEL #	GRP 1	GRP 2	GRP 3	SS
10240-2	2647	2789	3630	3726
10240-3	3100	3265	4250	4362
10240-4	3397	3577	4657	4779



10240-2



10240-3



10240-4

2pc. Suite Soap/Lotion Dispenser (9065)

3pc. Suite includes Soap/Lotion Dispenser (9065) and Air Switch (9010)

4pc. Suite includes Soap/Lotion Dispenser (9065), Air Switch (9010) and Single Port Air Gap (9020)

FINISH GROUP 1: CH

FINISH GROUP 2: BLN, CHB, CLZ, GR, MB, MW, PB, PN, SB, SC, SN, UPB

FINISH GROUP 3: AB, ABZ, AC, AMB, AP, CB, DAB, DAC, DAMB, DAP, MAB, MAC, MAP, ORB, PC, TB

PRECIOUS METALS: PG, SG - 30% increase from Group 3*

STAINLESS STEEL: SS

SPLIT FINISHES: SEE PAGE 32

*Pricing subject to change

FULTON INDUSTRIAL PREP SIZE PLP PULLDOWN FAUCET / ANGLED SPOUT / LEVER SPRAYER

LIST PRICES:

MODEL #	GRP 1	GRP 2	GRP 3	SS
10290	2555	2694	3505	3598

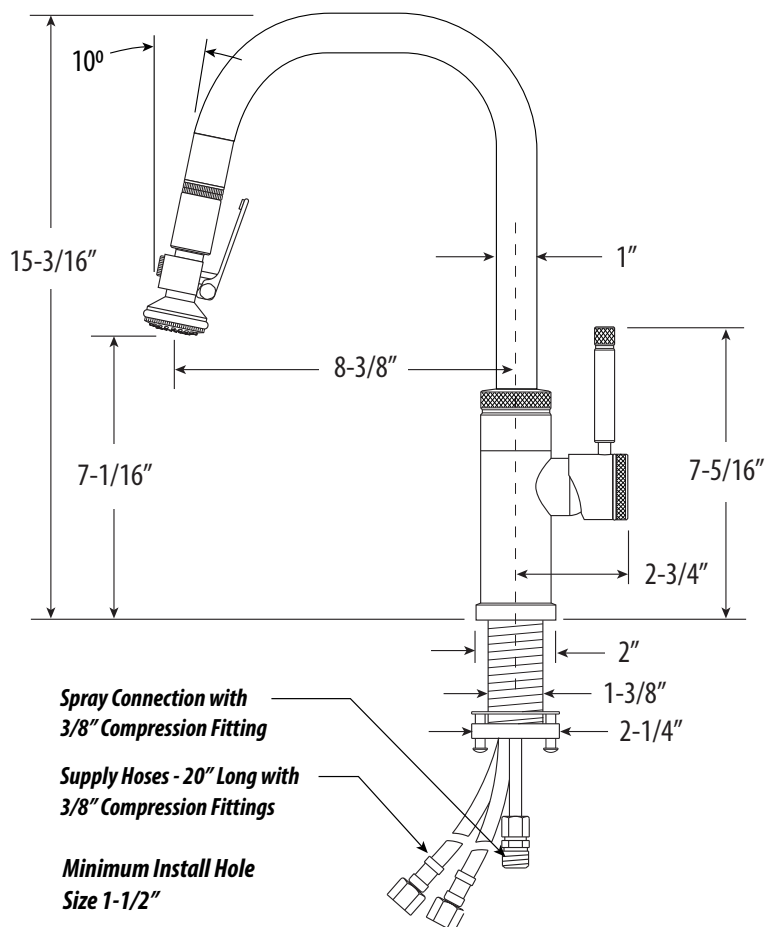
FEATURES:

- 10 degree angled spout flows outward towards middle of sink.
- Smaller food prep version of the standard reach PLP Pulldown.
- Thin, sleek faucet body design is perfect for modern kitchens.
- "Positive Lock Pulldown" design locks sprayer in place when not in use.
- 2 bend U-spout has 8-3/8" reach and can swivel 360 degrees.
- Lever handle spray head pulls out 18" from spout.
- 1.75 gpm maximum flow rate with aerated tip.
- 25mm hot/cold ceramic disk valve cartridge.
- Compatible with reverse osmosis water and systems.
- Made from eco-friendly solid brass or 316 stainless steel.



MEETS THE FOLLOWING:

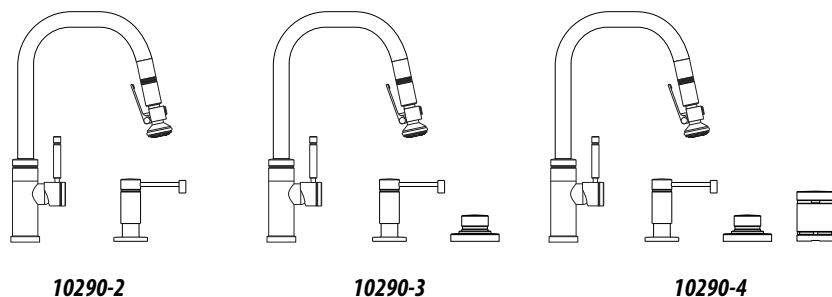
- ASME A112.18.1
- CSA B125.1
- NSF 61, 372
- CALGreen



10290 SUITES

SUITE LIST PRICES:

MODEL #	GRP 1	GRP 2	GRP 3	SS
10290-2	3035	3199	4163	4273
10290-3	3488	3675	4783	4909
10290-4	3785	3987	5190	5326



- 2pc. Suite Soap/Lotion Dispenser (9065)
- 3pc. Suite includes Soap/Lotion Dispenser (9065) and Air Switch (9010)
- 4pc. Suite includes Soap/Lotion Dispenser (9065), Air Switch (9010) and Single Port Air Gap (9020)

FINISH GROUP 1: CH
FINISH GROUP 2: BLN, CHB, CLZ, GR, MB, MW, PB, PN, SB, SC, SN, UPB
FINISH GROUP 3: AB, ABZ, AC, AMB, AP, CB, DAB, DAC, DAMB, DAP, MAB, MAC, MAP, ORB, PC, TB

PRECIOUS METALS: PG, SG - 30% increase from Group 3*
STAINLESS STEEL: SS
SPLIT FINISHES: SEE PAGE 32

*Pricing subject to change

FULTON MODERN PLP PULLDOWN FAUCETS

TOGGLE SPRAYERS



*PLP Pulldown Faucet - 10300
(pg. 118)*



*PLP Pulldown Faucet - 10310
(pg. 120)*



*PLP Pulldown Faucet - 10320
(pg. 122)*



*Prep Size PLP Pulldown Faucet - 10330
(pg. 124)*



*Prep Size PLP Pulldown Faucet - 10340
(pg. 126)*

LEVER SPRAYERS



*PLP Pulldown Faucet - 10350
(pg. 119)*



*PLP Pulldown Faucet - 10360
(pg. 121)*



*PLP Pulldown Faucet - 10370
(pg. 123)*



*Prep Size PLP Pulldown Faucet - 10380
(pg. 125)*



*Prep Size PLP Pulldown Faucet - 10390
(pg. 127)*

FULTON MODERN EXTENDED REACH PLP PULLDOWN FAUCET / TOGGLE SPRAYER

LIST PRICES:

MODEL #	GRP 1	GRP 2	GRP 3	SS
10300	2330	2447	3189	3276

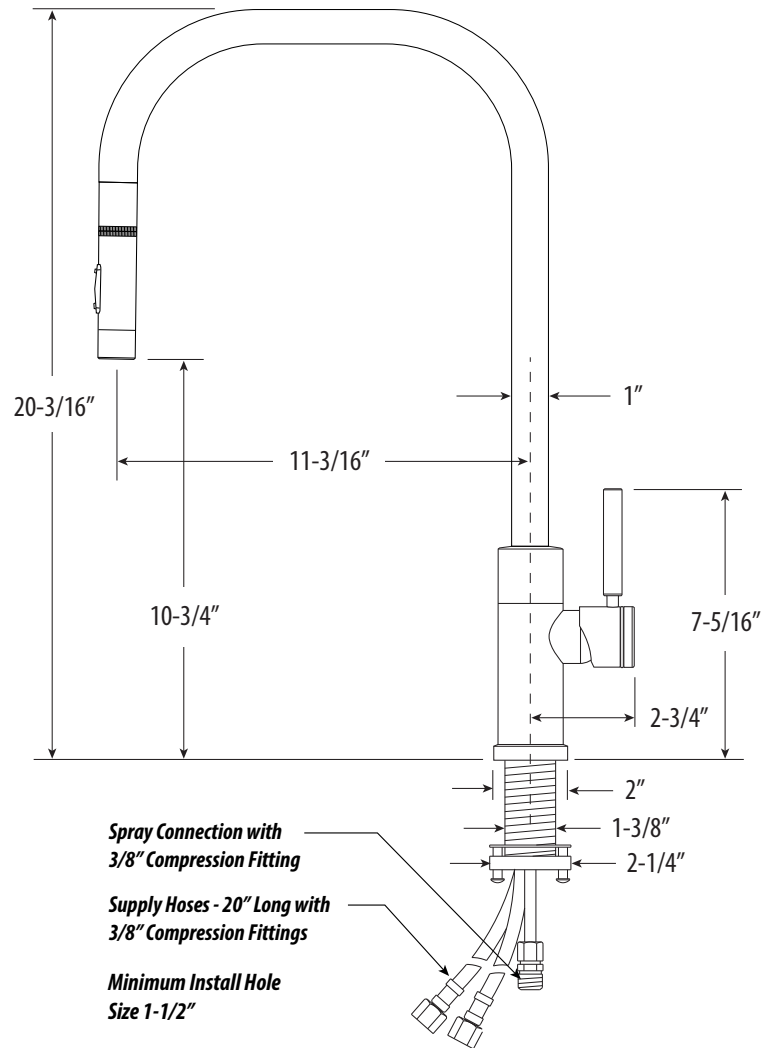
FEATURES:

- Thin, sleek body design gives a clean and simplistic look.
- "Positive Lock Pulldown" design locks sprayer in place when not in use.
- 2 bend U-spout has 11-3/16" extended reach for larger sinks and can swivel 360 degrees.
- Toggle handle spray head pulls out 18" from spout.
- 1.75 gpm maximum flow rate with aerated tip.
- 25mm hot/cold ceramic disk valve cartridge.
- Compatible with reverse osmosis water and systems.
- Made from eco-friendly solid brass or 316 stainless steel.



MEETS THE FOLLOWING:

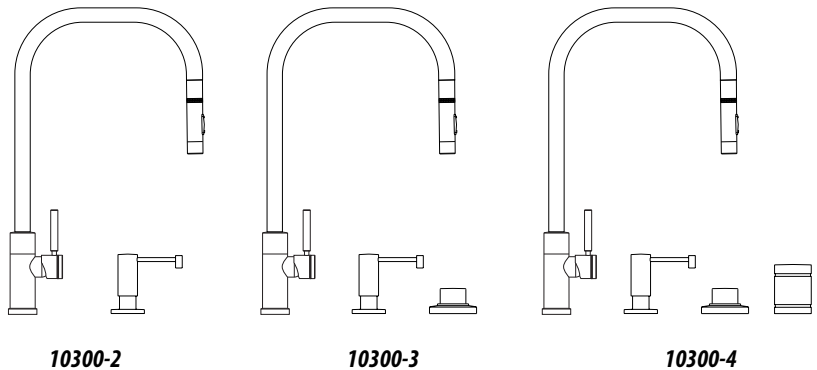
- ASME A112.18.1
- CSA B125.1
- NSF 61, 372
- CALGreen



10300 SUITES

SUITE LIST PRICES:

MODEL #	GRP 1	GRP 2	GRP 3	SS
10300-2	2807	2948	3842	3946
10300-3	3256	3420	4457	4578
10300-4	3541	3719	4846	4978



- 2pc. Suite Soap/Lotion Dispenser (4065)
- 3pc. Suite includes Soap/Lotion Dispenser (4065) and Air Switch (3010)
- 4pc. Suite includes Soap/Lotion Dispenser (4065), Air Switch (3010) and Single Port Air Gap (3020)

FINISH GROUP 1: CH
FINISH GROUP 2: BLN, CHB, CLZ, GR, MB, MW, PB, PN, SB, SC, SN, UPB
FINISH GROUP 3: AB, ABZ, AC, AMB, AP, CB, DAB, DAC, DAMB, DAP, MAB, MAC, MAP, ORB, PC, TB

PRECIOUS METALS: PG, SG - 30% increase from Group 3*
STAINLESS STEEL: SS
SPLIT FINISHES: SEE PAGE 32

*Pricing subject to change

FULTON MODERN EXTENDED REACH PLP PULLDOWN FAUCET / LEVER SPRAYER

LIST PRICES:

MODEL #	GRP 1	GRP 2	GRP 3	SS
10350	2730	2868	3737	3837

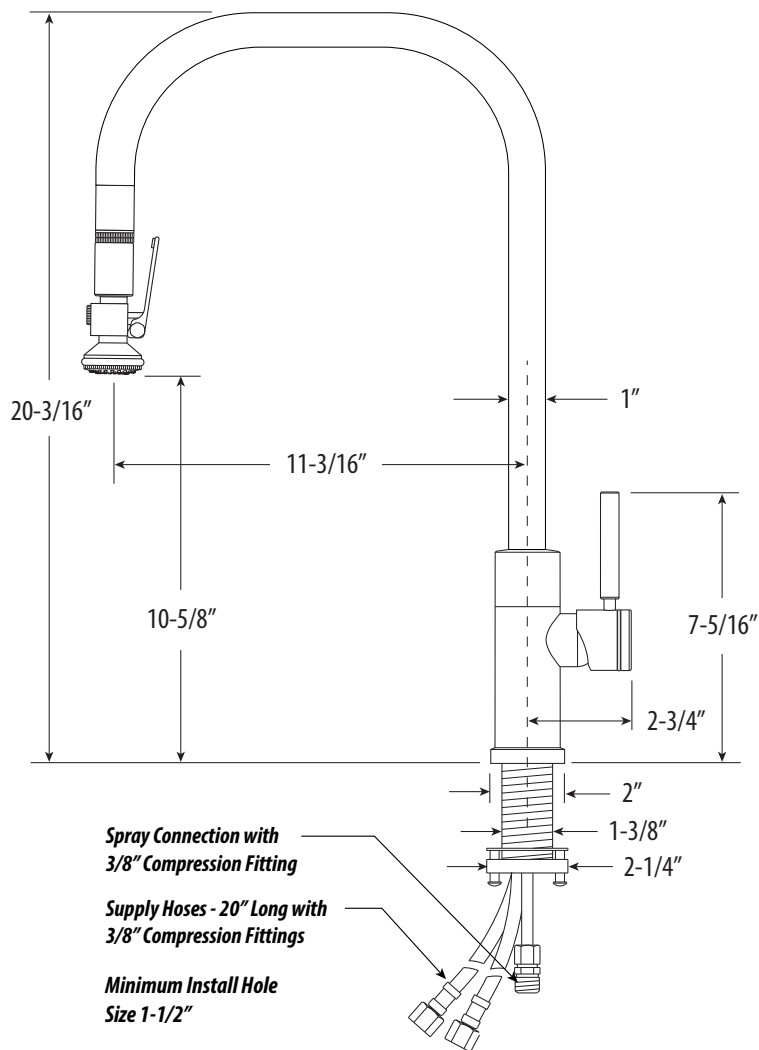
FEATURES:

- "Positive Lock Pulldown" design locks sprayer in place when not in use.
- 2 bend U-spout has 11-3/16" extended reach for larger sinks and can swivel 360 degrees.
- Toggle handle spray head pulls out 18" from spout.
- 1.75 gpm maximum flow rate with aerated tip.
- 25mm hot/cold ceramic disk valve cartridge.
- Compatible with reverse osmosis water and systems.
- Made from eco-friendly solid brass or 316 stainless steel.



MEETS THE FOLLOWING:

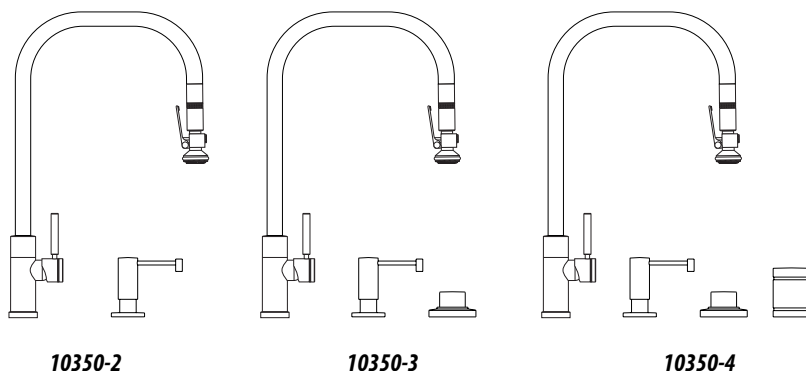
- ASME A112.18.1
- CSA B125.1
- NSF 61, 372
- CALGreen



10350 SUITES

SUITE LIST PRICES:

MODEL #	GRP 1	GRP 2	GRP 3	SS
10350-2	3207	3369	4390	4507
10350-3	3656	3841	5005	5139
10350-4	3941	4140	5394	5539



- 2pc. Suite Soap/Lotion Dispenser (4065)
- 3pc. Suite includes Soap/Lotion Dispenser (4065) and Air Switch (3010)
- 4pc. Suite includes Soap/Lotion Dispenser (4065), Air Switch (3010) and Single Port Air Gap (3020)

FINISH GROUP 1: CH
FINISH GROUP 2: BLN, CHB, CLZ, GR, MB, MW, PB, PN, SB, SC, SN, UPB
FINISH GROUP 3: AB, ABZ, AC, AMB, AP, CB, DAB, DAC, DAMB, DAP, MAB, MAC, MAP, ORB, PC, TB

PRECIOUS METALS: PG, SG - 30% increase from Group 3*
STAINLESS STEEL: SS
SPLIT FINISHES: SEE PAGE 32

*Pricing subject to change

FULTON MODERN PLP PULLDOWN FAUCET / TOGGLE SPRAYER

LIST PRICES:

MODEL #	GRP 1	GRP 2	GRP 3	SS
10310	2080	2185	2846	2925

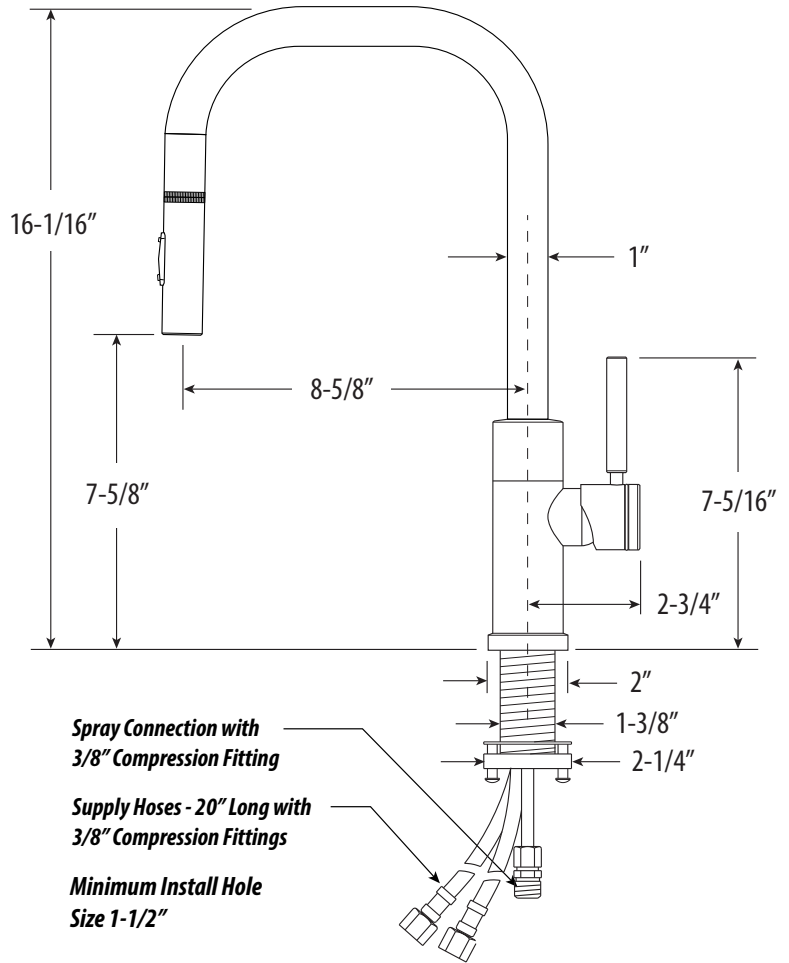
FEATURES:

- Thin, sleek faucet body design is perfect for modern kitchens.
- 2 bend U-spout has 8-5/8" reach and can swivel 360 degrees.
- "Positive Lock Pulldown" design locks sprayer in place when not in use.
- Toggle handle spray head pulls out 18" from spout.
- When pushed, sprayer toggle button locks in place and instantly diverts water from aerated stream to wide spray.
- Spray swivel design is fully insulated against heat.
- 1.75 gpm maximum flow rate with aerated tip.
- 25mm hot/cold ceramic disk valve cartridge.
- Compatible with reverse osmosis water and systems.
- Made from eco-friendly solid brass or 316 stainless steel.



MEETS THE FOLLOWING:

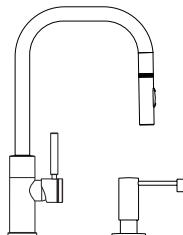
- ASME A112.18.1
- CSA B125.1
- NSF 61, 372
- CALGreen



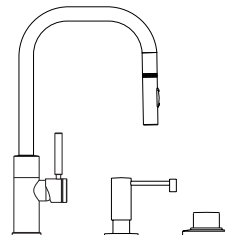
10310 SUITES

SUITE LIST PRICES:

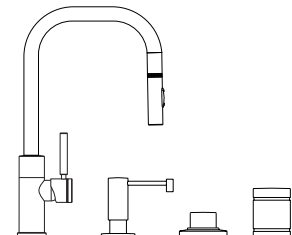
MODEL #	GRP 1	GRP 2	GRP 3	SS
10310-2	2557	2686	3499	3595
10310-3	3006	3158	4114	4227
10310-4	3291	3457	4503	4627



10310-2



10310-3



10310-4

2pc. Suite Soap/Lotion Dispenser (4065)

3pc. Suite includes Soap/Lotion Dispenser (4065) and Air Switch (3010)

4pc. Suite includes Soap/Lotion Dispenser (4065), Air Switch (3010) and Single Port Air Gap (3020)

FINISH GROUP 1: CH

FINISH GROUP 2: BLN, CHB, CLZ, GR, MB, MW, PB, PN, SB, SC, SN, UPB

FINISH GROUP 3: AB, ABZ, AC, AMB, AP, CB, DAB, DAC, DAMB, DAP, MAB, MAC, MAP, ORB, PC, TB

PRECIOUS METALS: PG, SG - 30% increase from Group 3*

STAINLESS STEEL: SS

SPLIT FINISHES: SEE PAGE 32

*Pricing subject to change

FULTON MODERN PLP PULLDOWN FAUCET / LEVER SPRAYER

LIST PRICES:

MODEL #	GRP 1	GRP 2	GRP 3	SS
10360	2476	2600	3387	3480

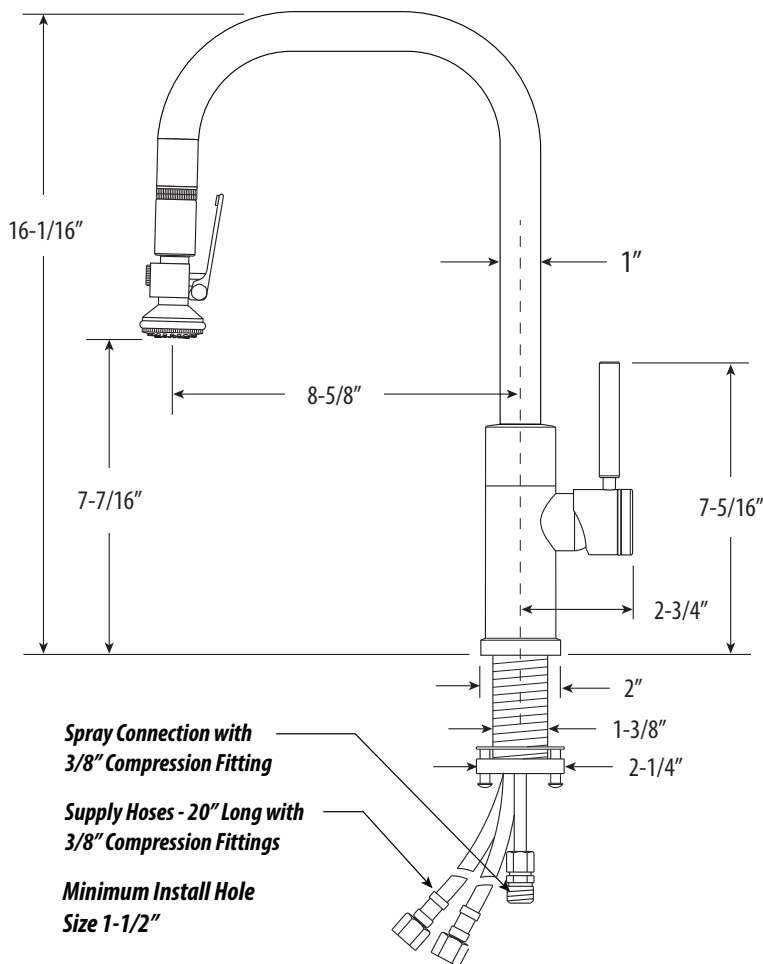
FEATURES:

- Thin, sleek faucet body design is perfect for modern kitchens.
- 2 bend U-spout has 8-5/8" reach and can swivel 360 degrees.
- "Positive Lock Pulldown" design locks sprayer in place when not in use.
- Lever handle spray head pulls out 18" from spout.
- Counterbalanced weight on spray hose allows smooth pull out and prevents snap back.
- 1.75 gpm maximum flow rate with aerated tip.
- 25mm hot/cold ceramic disk valve cartridge.
- Compatible with reverse osmosis water and systems.
- Made from eco-friendly solid brass or 316 stainless steel.



MEETS THE FOLLOWING:

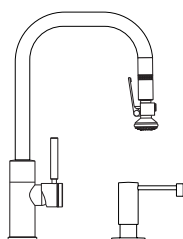
- ASME A112.18.1
- CSA B125.1
- NSF 61, 372
- CALGreen



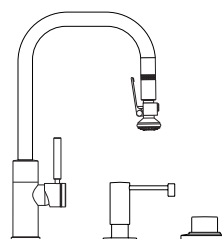
10360 SUITES

SUITE LIST PRICES:

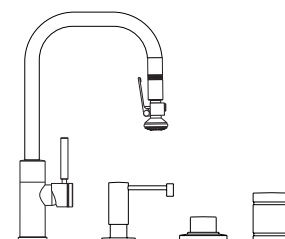
MODEL #	GRP 1	GRP 2	GRP 3	SS
10360-2	2953	3101	4040	4150
10360-3	3402	3573	4655	4782
10360-4	3687	3872	5044	5182



10360-2



10360-3



10360-4

2pc. Suite Soap/Lotion Dispenser (4065)

3pc. Suite includes Soap/Lotion Dispenser (4065) and Air Switch (3010)

4pc. Suite includes Soap/Lotion Dispenser (4065), Air Switch (3010) and Single Port Air Gap (3020)

FINISH GROUP 1: CH

FINISH GROUP 2: BLN, CHB, CLZ, GR, MB, MW, PB, PN, SB, SC, SN, UPB

FINISH GROUP 3: AB, ABZ, AC, AMB, AP, CB, DAB, DAC, DAMB, DAP, MAB, MAC, MAP, ORB, PC, TB

PRECIOUS METALS: PG, SG - 30% increase from Group 3*

STAINLESS STEEL: SS

SPLIT FINISHES: SEE PAGE 32

*Pricing subject to change

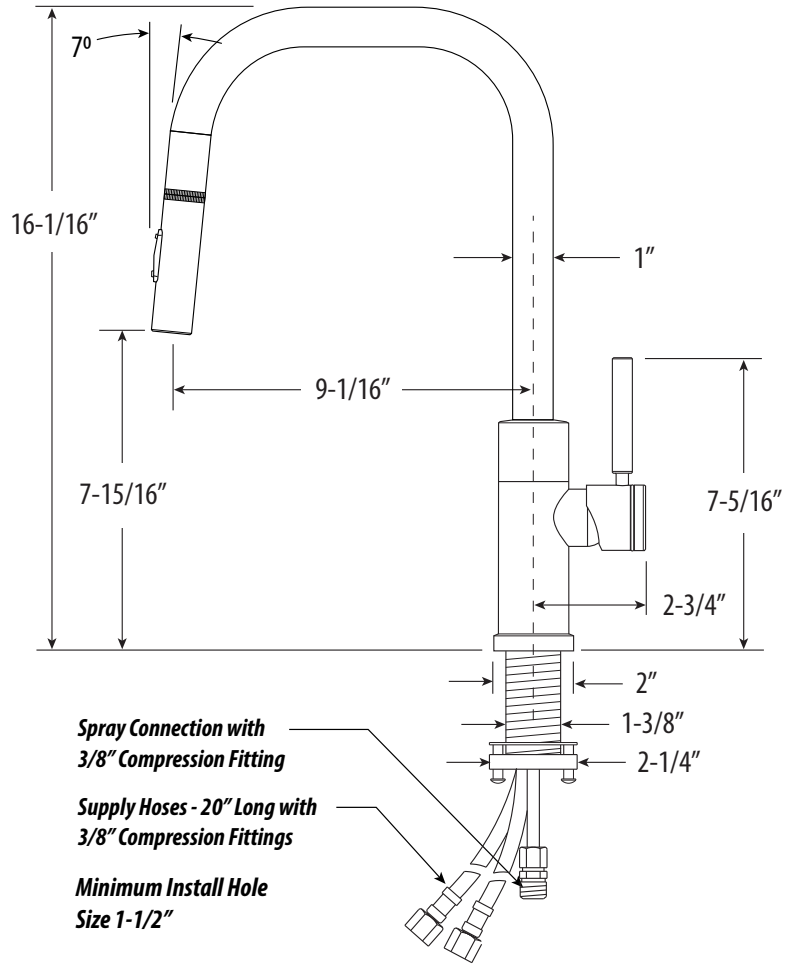
FULTON MODERN PLP PULLDOWN FAUCET / ANGLED SPOUT / TOGGLE SPRAYER

LIST PRICES:

MODEL #	GRP 1	GRP 2	GRP 3	SS
10320	2197	2308	3007	3089

FEATURES:

- 7 degree angled spout flows outward towards middle of sink.
- Thin, sleek faucet body design is perfect for modern kitchens.
- "Positive Lock Pulldown" design locks sprayer in place when not in use.
- 2 bend U-spout has 9-1/16" reach and can swivel 360 degrees.
- Spray swivel design is fully insulated against heat.
- Toggle handle spray head pulls out 18" from spout.
- 1.75 gpm maximum flow rate with aerated tip.
- 25mm hot/cold ceramic disk valve cartridge.
- Compatible with reverse osmosis water and systems.
- Made from eco-friendly solid brass or 316 stainless steel.



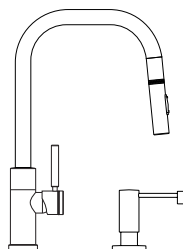
MEETS THE FOLLOWING:

- ASME A112.18.1
- CSA B125.1
- NSF 61, 372
- CALGreen

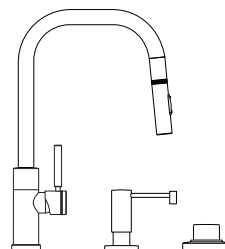
10320 SUITES

SUITE LIST PRICES:

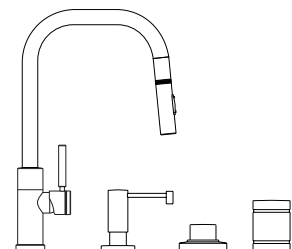
MODEL #	GRP 1	GRP 2	GRP 3	SS
10320-2	2674	2809	3660	3759
10320-3	3123	3281	4275	4391
10320-4	3408	3580	4664	4791



10320-2



10320-3



10320-4

2pc. Suite Soap/Lotion Dispenser (4065)

3pc. Suite includes Soap/Lotion Dispenser (4065) and Air Switch (3010)

4pc. Suite includes Soap/Lotion Dispenser (4065), Air Switch (3010) and Single Port Air Gap (3020)

FINISH GROUP 1: CH

FINISH GROUP 2: BLN, CHB, CLZ, GR, MB, MW, PB, PN, SB, SC, SN, UPB

FINISH GROUP 3: AB, ABZ, AC, AMB, AP, CB, DAB, DAC, DAMB, DAP, MAB, MAC, MAP, ORB, PC, TB

PRECIOUS METALS: PG, SG - 30% increase from Group 3*

STAINLESS STEEL: SS

SPLIT FINISHES: SEE PAGE 32

*Pricing subject to change

FULTON MODERN PLP PULLDOWN FAUCET / ANGLED SPOUT / LEVER SPRAYER

LIST PRICES:

MODEL #	GRP 1	GRP 2	GRP 3	SS
10370	2585	2716	3538	3634

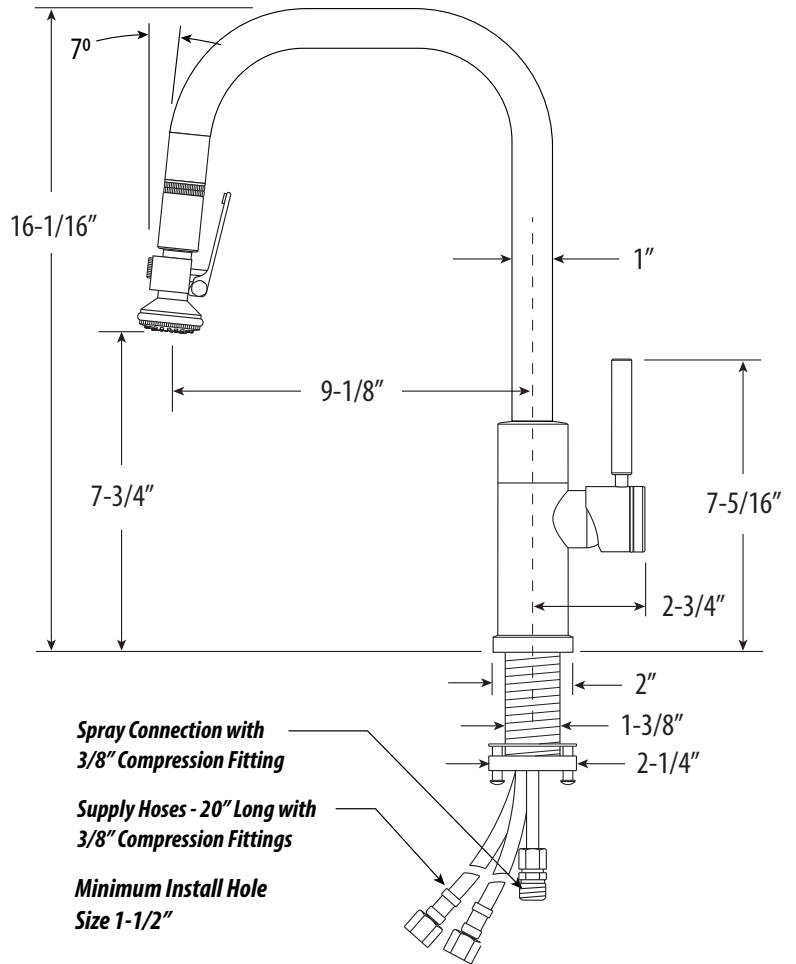
FEATURES:

- 7 degree angled spout flows outward towards middle of sink.
- Thin, sleek faucet body design is perfect for modern kitchens.
- "Positive Lock Pulldown" design locks sprayer in place when not in use.
- 2 bend U-spout has 9-1/8" reach and can swivel 360 degrees.
- Spray swivel design is fully insulated against heat.
- Lever handle spray head pulls out 18" from spout.
- 1.75 gpm maximum flow rate with aerated tip.
- 25mm hot/cold ceramic disk valve cartridge.
- Compatible with reverse osmosis water and systems.
- Made from eco-friendly solid brass or 316 stainless steel.



MEETS THE FOLLOWING:

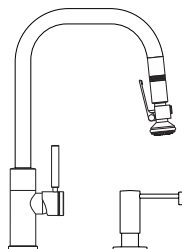
- ASME A112.18.1
- CSA B125.1
- NSF 61, 372
- CALGreen



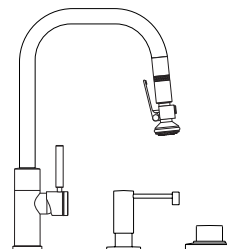
10370 SUITES

SUITE LIST PRICES:

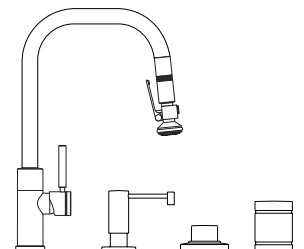
MODEL #	GRP 1	GRP 2	GRP 3	SS
10370-2	3062	3217	4191	4304
10370-3	3511	3689	4806	4936
10370-4	3796	3988	5195	5336



10370-2



10370-3



10370-4

2pc. Suite Soap/Lotion Dispenser (4065)

3pc. Suite includes Soap/Lotion Dispenser (4065) and Air Switch (3010)

4pc. Suite includes Soap/Lotion Dispenser (4065), Air Switch (3010) and Single Port Air Gap (3020)

FINISH GROUP 1: CH

FINISH GROUP 2: BLN, CHB, CLZ, GR, MB, MW, PB, PN, SB, SC, SN, UPB

FINISH GROUP 3: AB, ABZ, AC, AMB, AP, CB, DAB, DAC, DAMB, DAP, MAB, MAC, MAP, ORB, PC, TB

PRECIOUS METALS: PG, SG - 30% increase from Group 3*

STAINLESS STEEL: SS

SPLIT FINISHES: SEE PAGE 32

*Pricing subject to change

FULTON MODERN PREP SIZE PLP PULLDOWN FAUCET / TOGGLE SPRAYER

LIST PRICES:

MODEL #	GRP 1	GRP 2	GRP 3	SS
10330	2057	2160	2813	2890

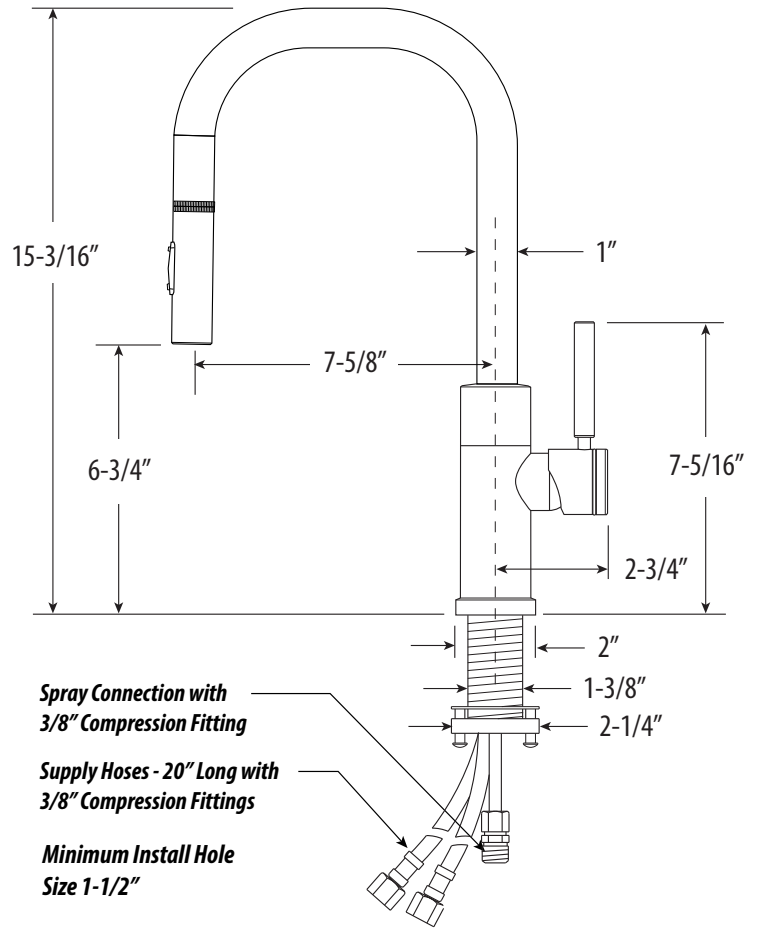
FEATURES:

- Smaller, food prep version of the standard reach PLP Pulldown.
- Thin, sleek faucet body design is perfect for modern kitchens.
- "Positive Lock Pulldown" design locks sprayer in place when not in use.
- 2 bend U-spout has 7-5/8" reach and can swivel 360 degrees.
- Toggle handle spray head pulls out 18" from spout.
- 25mm hot/cold ceramic disk valve cartridge.
- 1.75 gpm maximum flow rate with aerated tip.
- Compatible with reverse osmosis water and systems.
- Made from eco-friendly solid brass or 316 stainless steel.



MEETS THE FOLLOWING:

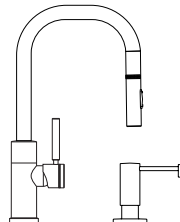
- ASME A112.18.1
- CSA B125.1
- NSF 61, 372
- CALGreen



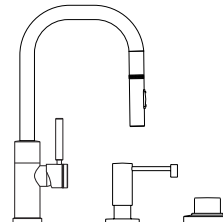
10330 SUITES

SUITE LIST PRICES:

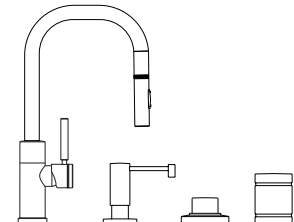
MODEL #	GRP 1	GRP 2	GRP 3	SS
10330-2	2534	2661	3466	3560
10330-3	2983	3133	4081	4192
10330-4	3268	3432	4470	4592



10330-2



10330-3



10330-4

2pc. Suite Soap/Lotion Dispenser (4065)

3pc. Suite includes Soap/Lotion Dispenser (4065) and Air Switch (3010)

4pc. Suite includes Soap/Lotion Dispenser (4065), Air Switch (3010) and Single Port Air Gap (3020)

FINISH GROUP 1: CH

FINISH GROUP 2: BLN, CHB, CLZ, GR, MB, MW, PB, PN, SB, SC, SN, UPB

FINISH GROUP 3: AB, ABZ, AC, AMB, AP, CB, DAB, DAC, DAMB, DAP, MAB, MAC, MAP, ORB, PC, TB

PRECIOUS METALS: PG, SG - 30% increase from Group 3*

STAINLESS STEEL: SS

SPLIT FINISHES: SEE PAGE 32

*Pricing subject to change

FULTON MODERN PREP SIZE PLP PULLDOWN FAUCET / LEVER SPRAYER

LIST PRICES:

MODEL #	GRP 1	GRP 2	GRP 3	SS
10380	2445	2568	3344	3437

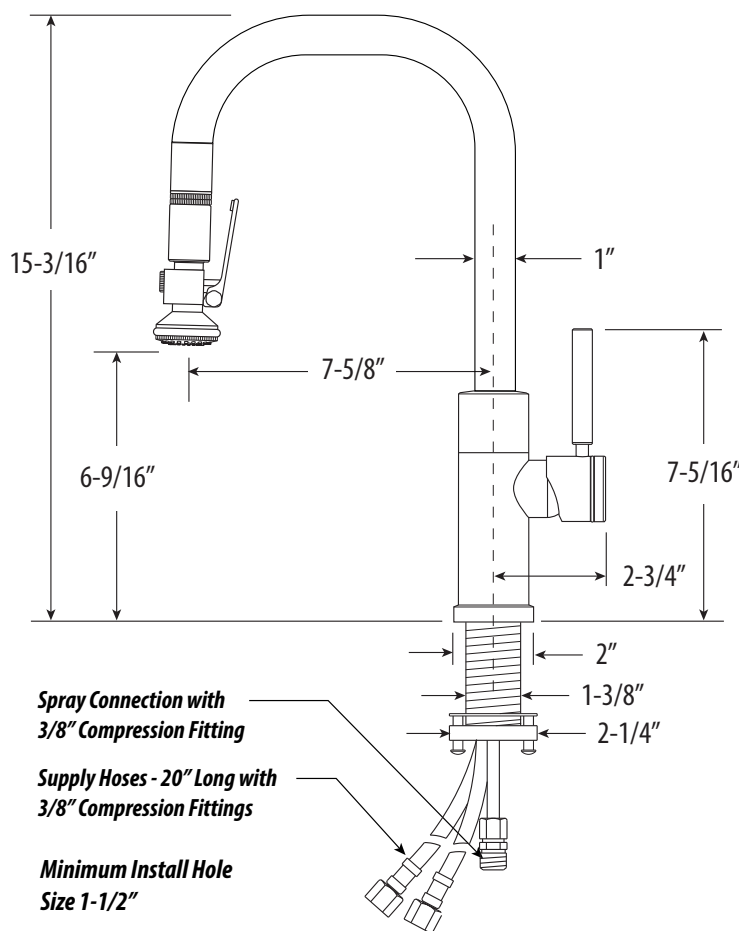
FEATURES:

- Smaller, food prep version of the standard reach PLP Pulldown.
- Thin, sleek faucet body design is perfect for modern kitchens.
- "Positive Lock Pulldown" design locks sprayer in place when not in use.
- 2 bend U-spout has 7-5/8" reach and can swivel 360 degrees.
- Lever handle spray head pulls out 18" from spout.
- 25mm hot/cold ceramic disk valve cartridge.
- 1.75 gpm maximum flow rate with aerated tip.
- Compatible with reverse osmosis water and systems.
- Made from eco-friendly solid brass or 316 stainless steel.



MEETS THE FOLLOWING:

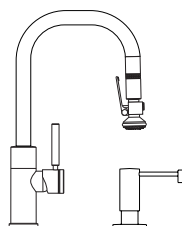
- ASME A112.18.1
- CSA B125.1
- NSF 61, 372
- CALGreen



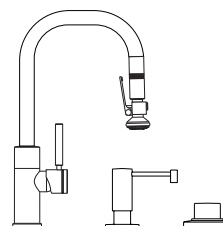
10380 SUITES

SUITE LIST PRICES:

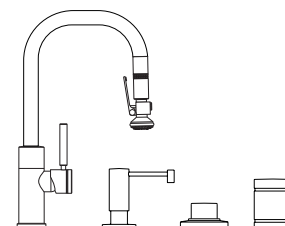
MODEL #	GRP 1	GRP 2	GRP 3	SS
10380-2	2922	3069	3997	4107
10380-3	3371	3541	4612	4739
10380-4	3656	3840	5001	5139



10380-2



10380-3



10380-4

2pc. Suite Soap/Lotion Dispenser (4065)

3pc. Suite includes Soap/Lotion Dispenser (4065) and Air Switch (3010)

4pc. Suite includes Soap/Lotion Dispenser (4065), Air Switch (3010) and Single Port Air Gap (3020)

FINISH GROUP 1: CH

FINISH GROUP 2: BLN, CHB, CLZ, GR, MB, MW, PB, PN, SB, SC, SN, UPB

FINISH GROUP 3: AB, ABZ, AC, AMB, AP, CB, DAB, DAC, DAMB, DAP, MAB, MAC, MAP, ORB, PC, TB

PRECIOUS METALS: PG, SG - 30% increase from Group 3*

STAINLESS STEEL: SS

SPLIT FINISHES: SEE PAGE 32

*Pricing subject to change

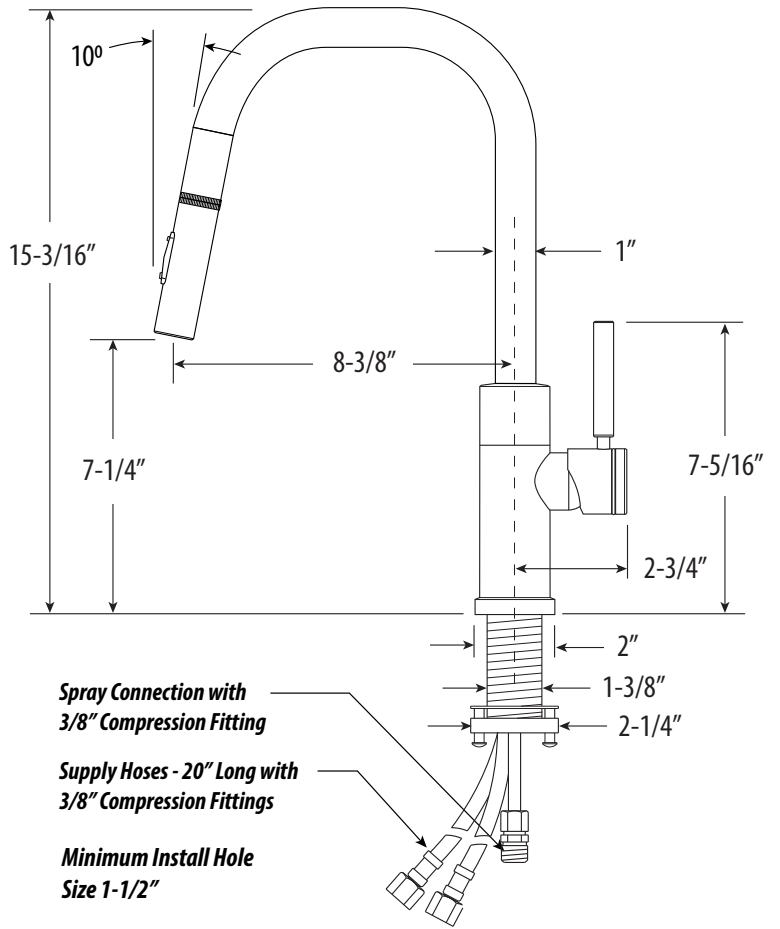
FULTON MODERN PREP SIZE PLP PULLDOWN FAUCET / ANGLED SPOUT / TOGGLE SPRAYER

LIST PRICES:

MODEL #	GRP 1	GRP 2	GRP 3	SS
10340	2075	2190	2849	2923

FEATURES:

- 10 degree angled spout flows outward towards middle of sink.
- Smaller food prep version of the standard reach PLP Pulldown.
- "Positive Lock Pulldown" design locks sprayer in place when not in use.
- 2 bend U-spout has 8-3/8" reach and can swivel 360 degrees.
- Toggle handle spray head pulls out 18" from spout.
- 1.75 gpm maximum flow rate with aerated tip.
- 25mm hot/cold ceramic disk valve cartridge.
- Compatible with reverse osmosis water and systems.
- Made from eco-friendly solid brass or 316 stainless steel.



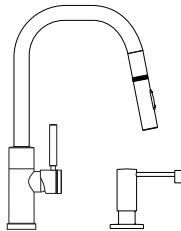
MEETS THE FOLLOWING:

- ASME A112.18.1
- CSA B125.1
- NSF 61, 372
- CALGreen

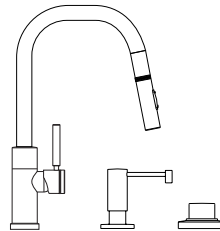
10340 SUITES

SUITE LIST PRICES:

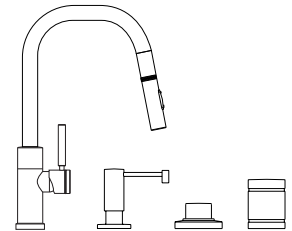
MODEL #	GRP 1	GRP 2	GRP 3	SS
10340-2	2552	2691	3502	3593
10340-3	3001	3163	4117	4225
10340-4	3286	3462	4506	4625



10340-2



10340-3



10340-4

2pc. Suite Soap/Lotion Dispenser (4065)

3pc. Suite includes Soap/Lotion Dispenser (4065) and Air Switch (3010)

4pc. Suite includes Soap/Lotion Dispenser (4065), Air Switch (3010) and Single Port Air Gap (3020)

FINISH GROUP 1: CH

FINISH GROUP 2: BLN, CHB, CLZ, GR, MB, MW, PB, PN, SB, SC, SN, UPB

FINISH GROUP 3: AB, ABZ, AC, AMB, AP, CB, DAB, DAC, DAMB, DAP, MAB, MAC, MAP, ORB, PC, TB

PRECIOUS METALS: PG, SG - 30% increase from Group 3*

STAINLESS STEEL: SS

SPLIT FINISHES: SEE PAGE 32

*Pricing subject to change

FULTON MODERN PREP SIZE PLP PULLDOWN FAUCET / ANGLED SPOUT / LEVER SPRAYER

LIST PRICES:

MODEL #	GRP 1	GRP 2	GRP 3	SS
10390	2465	2602	3384	3474

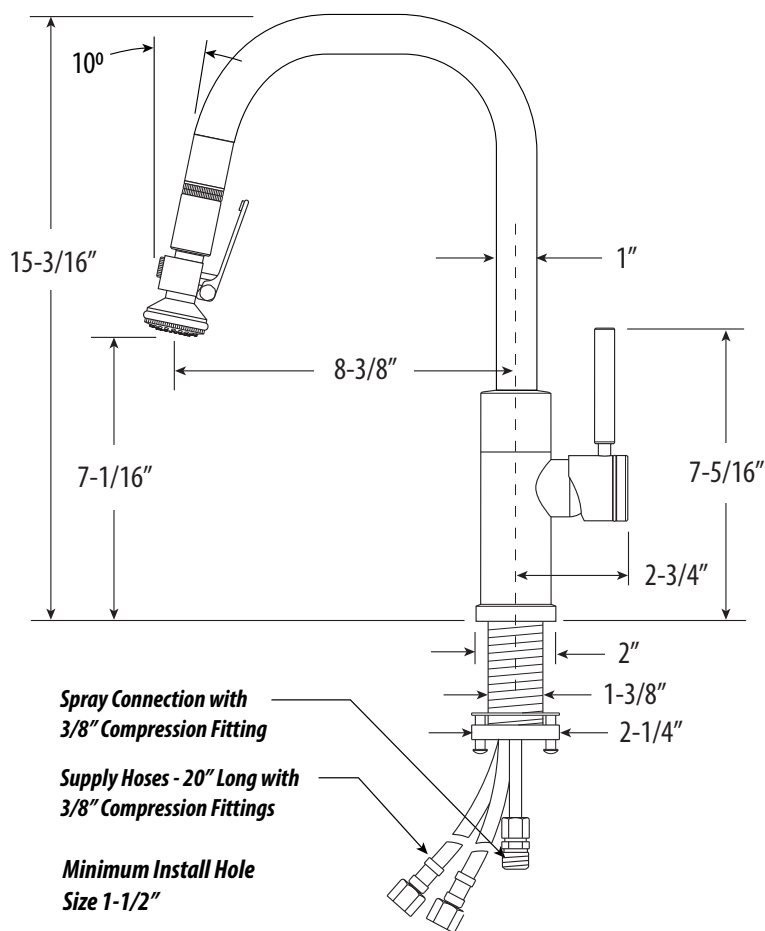
FEATURES:

- 10 degree angled spout flows outward towards middle of sink.
- Smaller food prep version of the standard reach PLP Pulldown.
- Thin, sleek faucet body design is perfect for modern kitchens.
- "Positive Lock Pulldown" design locks sprayer in place when not in use.
- 2 bend U-spout has 8-3/8" reach and can swivel 360 degrees.
- Lever handle spray head pulls out 18" from spout.
- 1.75 gpm maximum flow rate with aerated tip.
- 25mm hot/cold ceramic disk valve cartridge.
- Compatible with reverse osmosis water and systems.
- Made from eco-friendly solid brass or 316 stainless steel.



MEETS THE FOLLOWING:

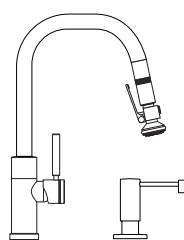
- ASME A112.18.1
- CSA B125.1
- NSF 61, 372
- CALGreen



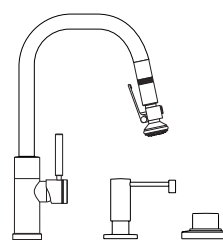
10390 SUITES

SUITE LIST PRICES:

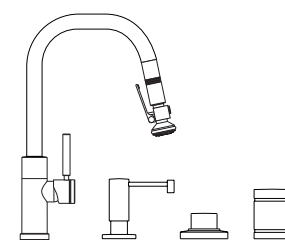
MODEL #	GRP 1	GRP 2	GRP 3	SS
10390-2	2942	3103	4037	4144
10390-3	3391	3575	4652	4776
10390-4	3676	3874	5041	5176



10390-2



10390-3



10390-4

2pc. Suite Soap/Lotion Dispenser (4065)

3pc. Suite includes Soap/Lotion Dispenser (4065) and Air Switch (3010)

4pc. Suite includes Soap/Lotion Dispenser (4065), Air Switch (3010) and Single Port Air Gap (3020)

FINISH GROUP 1: CH

FINISH GROUP 2: BLN, CHB, CLZ, GR, MB, MW, PB, PN, SB, SC, SN, UPB

FINISH GROUP 3: AB, ABZ, AC, AMB, AP, CB, DAB, DAC, DAMB, DAP, MAB, MAC, MAP, ORB, PC, TB

PRECIOUS METALS: PG, SG - 30% increase from Group 3*

STAINLESS STEEL: SS

SPLIT FINISHES: SEE PAGE 32

*Pricing subject to change

GANTRY® PULLDOWN FAUCETS

TRADITIONAL GANTRY PULLDOWN FAUCETS



*Traditional Gantry Faucet
4400
(pg. 130)*



*Traditional 12" Gantry Faucet
4410-12
(pg. 131)*



*Traditional 18" Gantry Faucet
4410-18
(pg. 132)*

CONTEMPORARY GANTRY PULLDOWN FAUCETS



Contemporary Gantry Faucet
3700
(pg. 133)



Contemporary 12" Gantry Faucet
3710-12
(pg. 134)



Contemporary 18" Gantry Faucet
3710-18
(pg. 135)

TRADITIONAL GANTRY® PULLDOWN FAUCET / HOOK SPOUT

LIST PRICES:

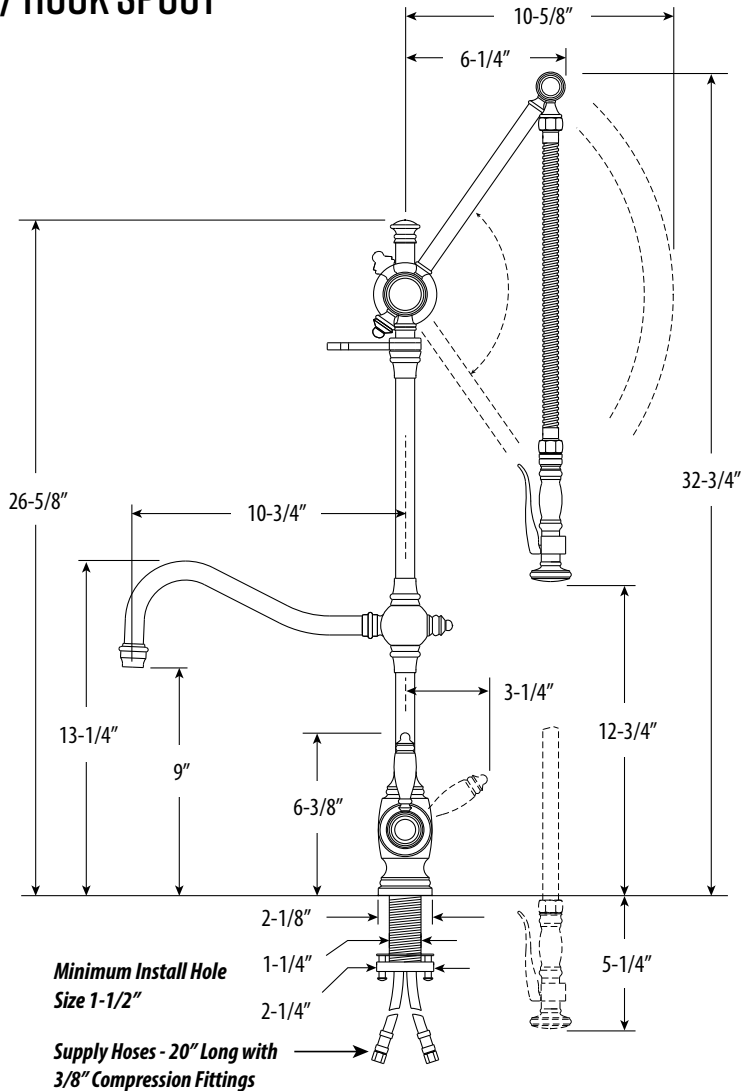
MODEL #	GRP 1	GRP 2	GRP 3	SS
4400	5511	5786	7539	N/A

FEATURES:

- Inspired by the heavy lifting Gantry cranes of US harbors.
- Innovative, patent protected faucet design.
- Spray arm spring technology gives the sprayer an easy, smooth pull.
- Hook spout has 10-3/4" reach and can swivel 360 degrees.
- Spray arm extends and pivots to reach all areas of sink.
- Sprayer instantly diverts water from aerated stream to wide spray when lever handle is held.
- Spray swivel design is fully insulated against heat.
- 1.75 gpm maximum flow rate with aerated tip.
- Handle ring can be adjusted to preferred push/pull tension and prevents sag.
- Single handle can mount in front, right or left hand positions.
- Hot/cold ceramic disk valve cartridge.
- Compatible with reverse osmosis water and systems.
- Made from eco-friendly solid brass.

MEETS THE FOLLOWING:

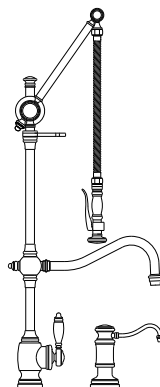
- ASME A112.18.1
- CSA B125.1
- NSF 61, 372
- CALGreen



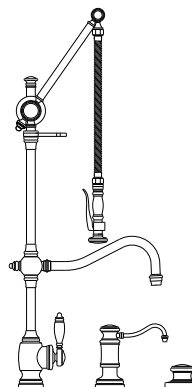
4400 SUITES

SUITE LIST PRICES:

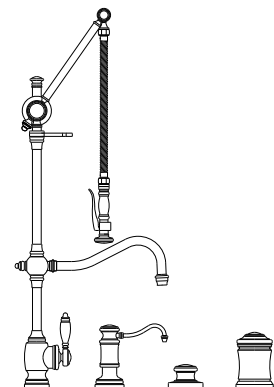
MODEL #	GRP 1	GRP 2	GRP 3	SS
4400-2	6075	6378	8310	N/A
4400-3	6571	6900	8990	N/A
4400-4	6887	7231	9421	N/A



4400-2



4400-3



4400-4

2pc. Suite Soap/Lotion Dispenser (4060)

3pc. Suite includes Soap/Lotion Dispenser (4060) and Air Switch (4010)

4pc. Suite includes Soap/Lotion Dispenser (4060), Air Switch (4010) and Single Port Air Gap (4020)

FINISH GROUP 1: CH

FINISH GROUP 2: BLN, CHB, CLZ, GR, MB, MW, PB, PN, SB, SC, SN, UPB

FINISH GROUP 3: AB, ABZ, AC, AMB, AP, CB, DAB, DAC, DAMB, DAP, MAB, MAC, MAP, ORB, PC, TB

PRECIOUS METALS: PG, SG - 30% increase from Group 3*

STAINLESS STEEL: SS

SPLIT FINISHES: SEE PAGE 32

*Pricing subject to change

TRADITIONAL GANTRY® PULLDOWN FAUCET / 12" ARTICULATED SPOUT

LIST PRICES:

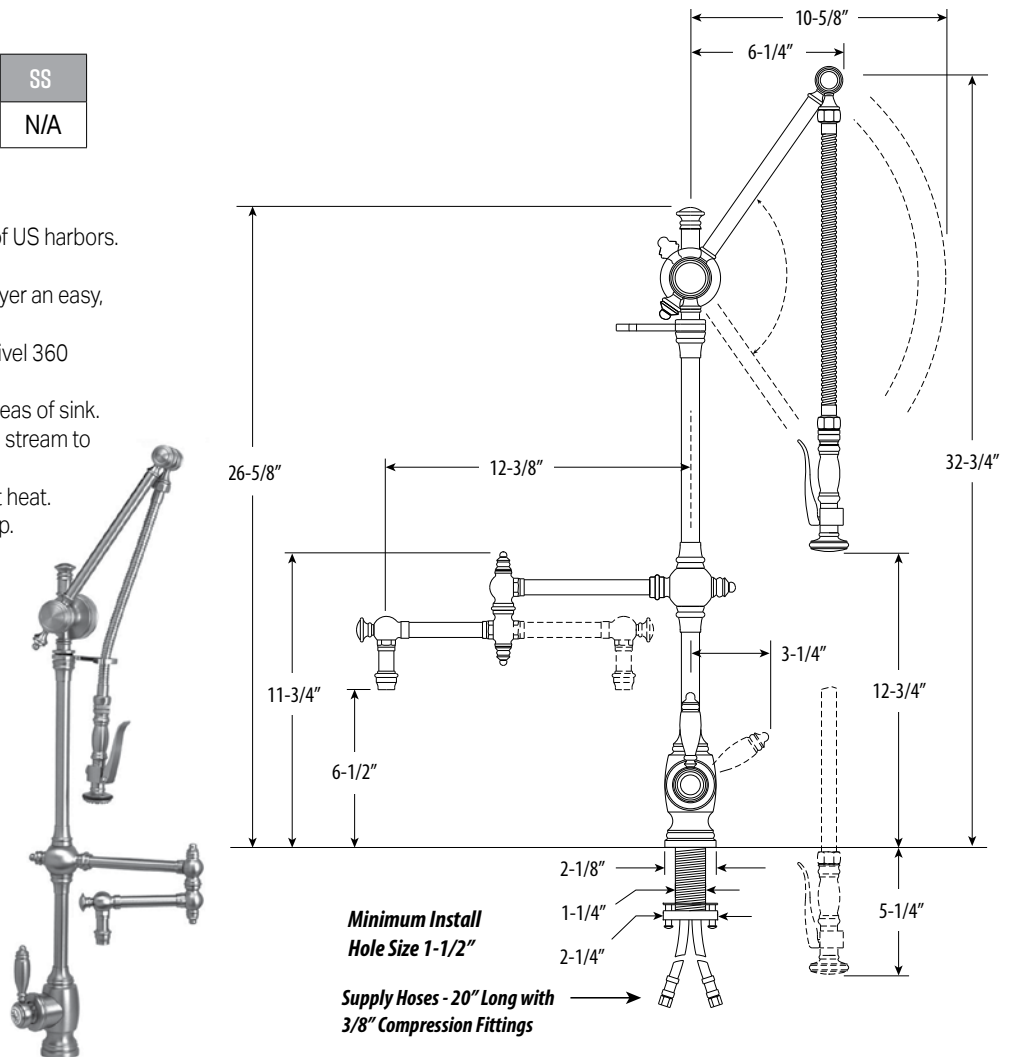
MODEL #	GRP 1	GRP 2	GRP 3	SS
4410-12	6345	6662	8681	N/A

FEATURES:

- Inspired by the heavy lifting Gantry cranes of US harbors.
- Innovative, patent protected faucet design.
- Spray arm spring technology gives the sprayer an easy, smooth pull.
- Articulated spout has 12" reach and can swivel 360 degrees.
- Spray arm extends and pivots to reach all areas of sink.
- Sprayer instantly diverts water from aerated stream to wide spray when lever handle is held.
- Spray swivel design is fully insulated against heat.
- 1.75 gpm maximum flow rate with aerated tip.
- Hot/cold ceramic disk valve cartridge.
- Compatible with reverse osmosis water and systems.
- Made from eco-friendly solid brass.

MEETS THE FOLLOWING:

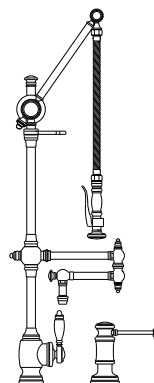
- ASME A112.18.1
- CSA B125.1
- NSF 61, 372
- CALGreen



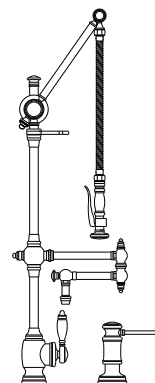
4410-12 SUITES

SUITE LIST PRICES:

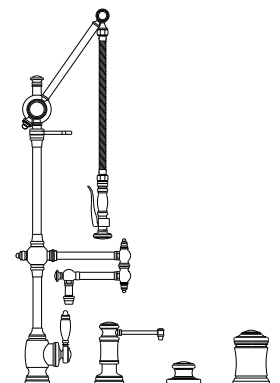
MODEL #	GRP 1	GRP 2	GRP 3	SS
4410-12-2	6909	7254	9452	N/A
4410-12-3	7405	7776	10132	N/A
4410-12-4	7721	8107	10563	N/A



4410-12-2



4410-12-3



4410-12-4

2pc. Suite Soap/Lotion Dispenser (4055)

3pc. Suite includes Soap/Lotion Dispenser (4055) and Air Switch (4010)

4pc. Suite includes Soap/Lotion Dispenser (4055), Air Switch (4010) and Single Port Air Gap (4020)

FINISH GROUP 1: CH

FINISH GROUP 2: BLN, CHB, CLZ, GR, MB, MW, PB, PN, SB, SC, SN, UPB

FINISH GROUP 3: AB, ABZ, AC, AMB, AP, CB, DAB, DAC, DAMB, DAP, MAB, MAC, MAP, ORB, PC, TB

PRECIOUS METALS: PG, SG - 30% increase from Group 3*

STAINLESS STEEL: SS

SPLIT FINISHES: SEE PAGE 32

*Pricing subject to change

TRADITIONAL GANTRY® PULLDOWN FAUCET / 18" ARTICULATED SPOUT

LIST PRICES:

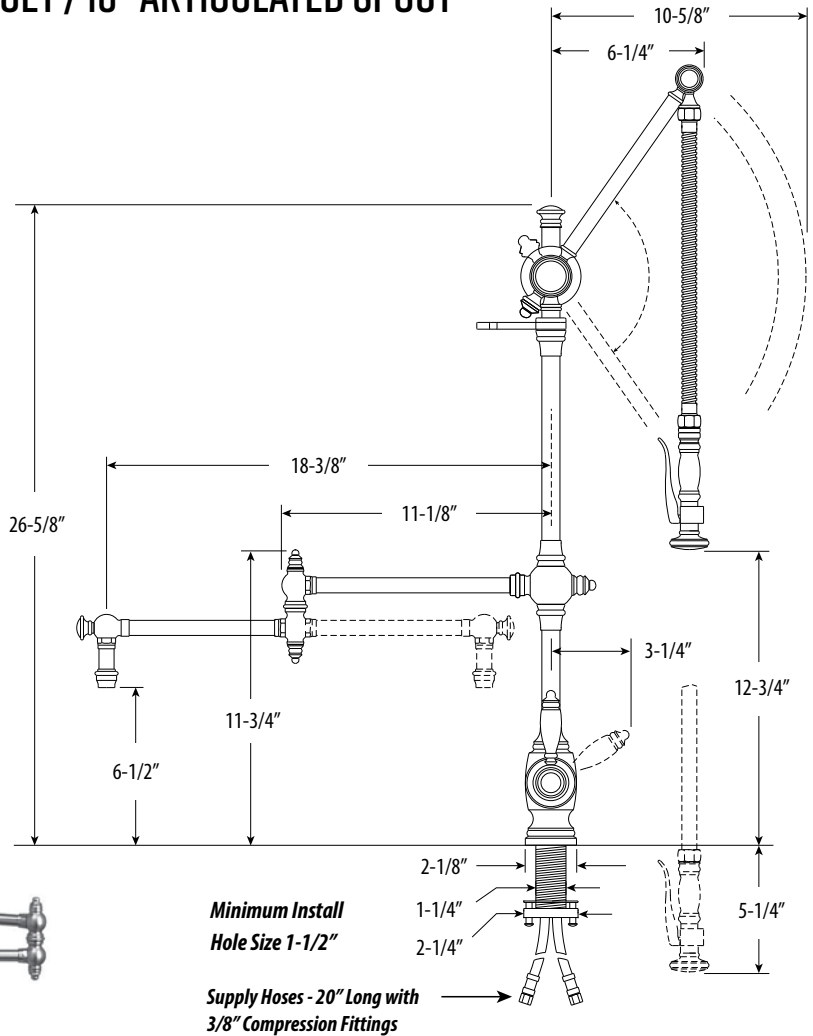
MODEL #	GRP 1	GRP 2	GRP 3	SS
4410-18	6522	6849	8924	N/A

FEATURES:

- Inspired by the heavy lifting Gantry cranes of US harbors.
- Innovative, patent protected faucet design.
- Spray arm spring technology gives the sprayer an easy, smooth pull.
- Articulated spout has 18" reach and can swivel 360 degrees.
- Spray arm extends and pivots to reach all areas of sink.
- Sprayer instantly diverts water from aerated stream to wide spray when lever handle is held.
- Spray swivel design is fully insulated against heat.
- 1.75 gpm maximum flow rate with aerated tip.
- When mounted on side, handle can adjust 45 degrees for backsplash clearance.
- Hot/cold ceramic disk valve cartridge.
- Compatible with reverse osmosis water and systems.
- Made from eco-friendly solid brass.

MEETS THE FOLLOWING:

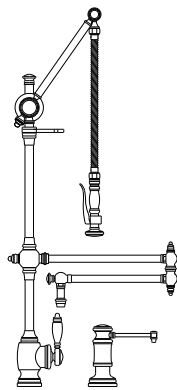
- ASME A112.18.1
- CSA B125.1
- NSF 61, 372
- CALGreen



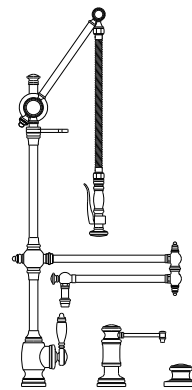
4410-18 SUITES

SUITE LIST PRICES:

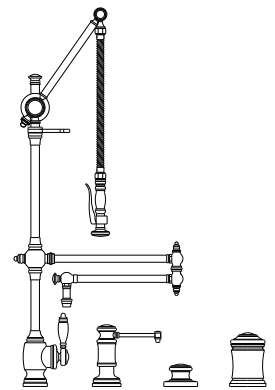
MODEL #	GRP 1	GRP 2	GRP 3	SS
4410-18-2	7086	7441	9695	N/A
4410-18-3	7582	7963	10375	N/A
4410-18-4	7898	8294	10806	N/A



4410-18-2



4410-18-3



4410-18-4

2pc. Suite Soap/Lotion Dispenser (4055)

3pc. Suite includes Soap/Lotion Dispenser (4055) and Air Switch (4010)

4pc. Suite includes Soap/Lotion Dispenser (4055), Air Switch (4010) and Single Port Air Gap (4020)

FINISH GROUP 1: CH

FINISH GROUP 2: BLN, CHB, CLZ, GR, MB, MW, PB, PN, SB, SC, SN, UPB

FINISH GROUP 3: AB, ABZ, AC, AMB, AP, CB, DAB, DAC, DAMB, DAP, MAB, MAC, MAP, ORB, PC, TB

PRECIOUS METALS: PG, SG - 30% increase from Group 3*

STAINLESS STEEL: SS

SPLIT FINISHES: SEE PAGE 32

*Pricing subject to change

CONTEMPORARY GANTRY® PULLDOWN FAUCET / STRAIGHT SPOUT

LIST PRICES:

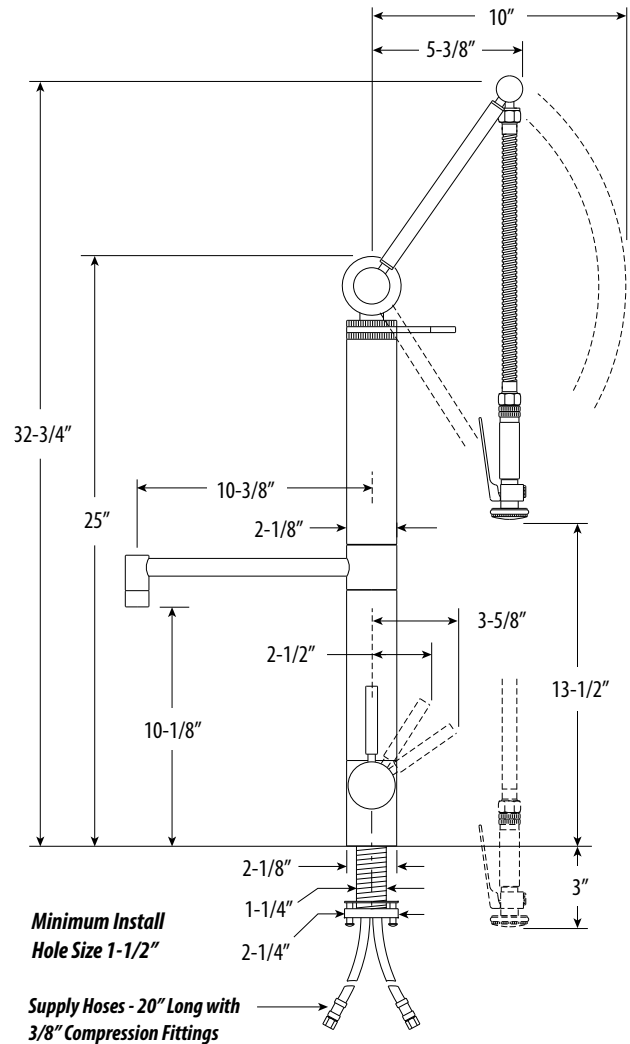
MODEL #	GRP 1	GRP 2	GRP 3	SS
3700	6257	6569	8559	8792

FEATURES:

- Inspired by the heavy lifting Gantry cranes of U.S. harbors.
- Innovative, patent protected faucet design.
- Spray arm spring technology gives the sprayer an easy, smooth pull.
- Straight spout has 10-3/8" reach and can swivel 360 degrees.
- Spray arm extends and pivots to reach all areas of sink.
- Sprayer instantly diverts water from aerated stream to wide spray when lever handle is held.
- Spray swivel design is fully insulated against heat.
- 1.75 gpm maximum flow rate with aerated tip.
- Handle ring can be adjusted to preferred push/pull tension and prevents sag.
- Hot/cold ceramic disk valve cartridge.
- Compatible with reverse osmosis water and systems.
- Made from eco-friendly solid brass or 316 stainless steel.

MEETS THE FOLLOWING:

- ASME A112.18.1
- CSA B125.1
- NSF 61, 372
- CALGreen

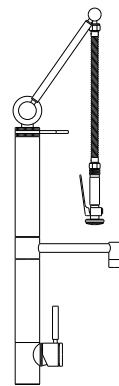


GANTRY FAUCETS

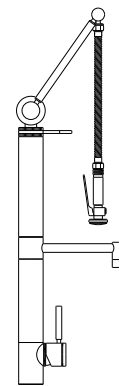
3700 SUITES

SUITE LIST PRICES:

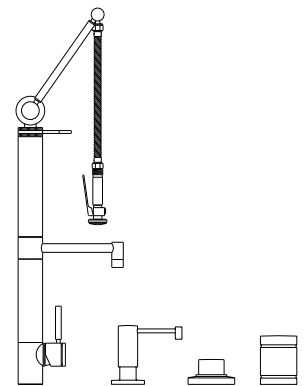
MODEL #	GRP 1	GRP 2	GRP 3	SS
3700-2	6734	7070	9212	9462
3700-3	7183	7541	9827	10094
3700-4	7468	7841	10216	10494



3700-2



3700-3



3700-4

2pc. Suite Soap/Lotion Dispenser (4065)

3pc. Suite includes Soap/Lotion Dispenser (4065) and Air Switch (3010)

4pc. Suite includes Soap/Lotion Dispenser (4065), Air Switch (3010) and Single Port Air Gap (3020)

FINISH GROUP 1: CH

FINISH GROUP 2: BLN, CHB, CLZ, GR, MB, MW, PB, PN, SB, SC, SN, UPB

FINISH GROUP 3: AB, ABZ, AC, AMB, AP, CB, DAB, DAC, DAMB, DAP, MAB, MAC, MAP, ORB, PC, TB

PRECIOUS METALS: PG, SG - 30% increase from Group 3*

STAINLESS STEEL: SS

SPLIT FINISHES: SEE PAGE 32

*Pricing subject to change

CONTEMPORARY GANTRY® PULLDOWN FAUCET / 12" ARTICULATED SPOUT

LIST PRICES:

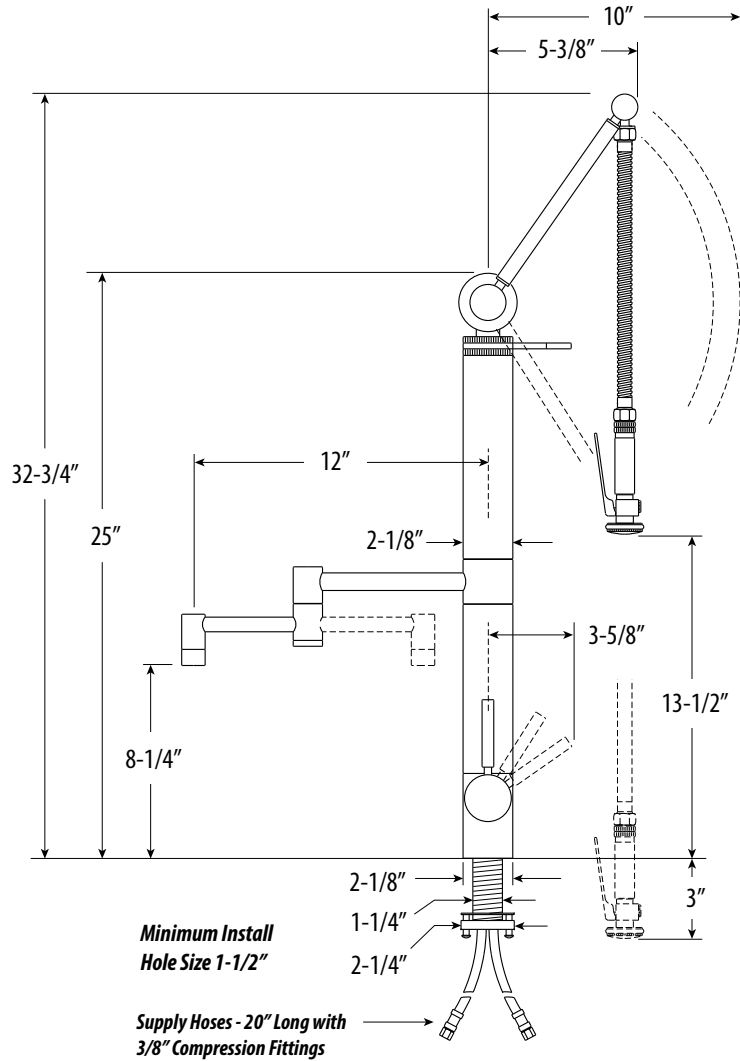
MODEL #	GRP 1	GRP 2	GRP 3	SS
3710-12	6647	6980	9095	9342

FEATURES:

- Inspired by the heavy lifting Gantry cranes of U.S. harbors.
- Innovative, patent protected faucet design.
- Spray arm spring technology gives the sprayer an easy, smooth pull.
- Articulated spout has 12" reach and can swivel 360 degrees.
- Spray arm extends and pivots to reach all areas of sink.
- Sprayer instantly diverts water from aerated stream to wide spray when lever handle is held.
- Spray swivel design is fully insulated against heat.
- 1.75 gpm maximum flow rate with aerated tip.
- Hot/cold ceramic disk valve cartridge.
- Compatible with reverse osmosis water and systems.
- Made from eco-friendly solid brass or 316 stainless steel.

MEETS THE FOLLOWING:

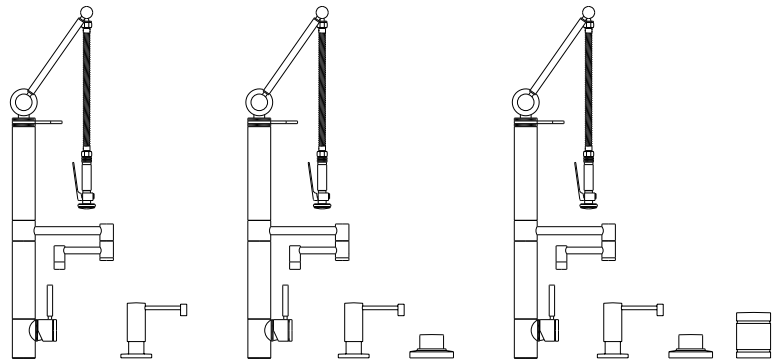
- ASME A112.18.1
- CSA B125.1
- NSF 61, 372
- CALGreen



3710-12 SUITES

SUITE LIST PRICES:

MODEL #	GRP 1	GRP 2	GRP 3	SS
3710-12-2	7124	7481	9748	10012
3710-12-3	7573	7953	10363	10644
3710-12-4	7858	8252	10752	11044



3710-12-2

3710-12-3

3710-12-4

2pc. Suite Soap/Lotion Dispenser (4065)

3pc. Suite includes Soap/Lotion Dispenser (4065) and Air Switch (3010)

4pc. Suite includes Soap/Lotion Dispenser (4065), Air Switch (3010) and Single Port Air Gap (3020)

FINISH GROUP 1: CH

FINISH GROUP 2: BLN, CHB, CLZ, GR, MB, MW, PB, PN, SB, SC, SN, UPB

FINISH GROUP 3: AB, ABZ, AC, AMB, AP, CB, DAB, DAC, DAMB, DAP, MAB, MAC, MAP, ORB, PC, TB

PRECIOUS METALS: PG, SG - 30% increase from Group 3*

STAINLESS STEEL: SS

SPLIT FINISHES: SEE PAGE 32

*Pricing subject to change

CONTEMPORARY GANTRY® PULLDOWN FAUCET / 18" ARTICULATED SPOUT

LIST PRICES:

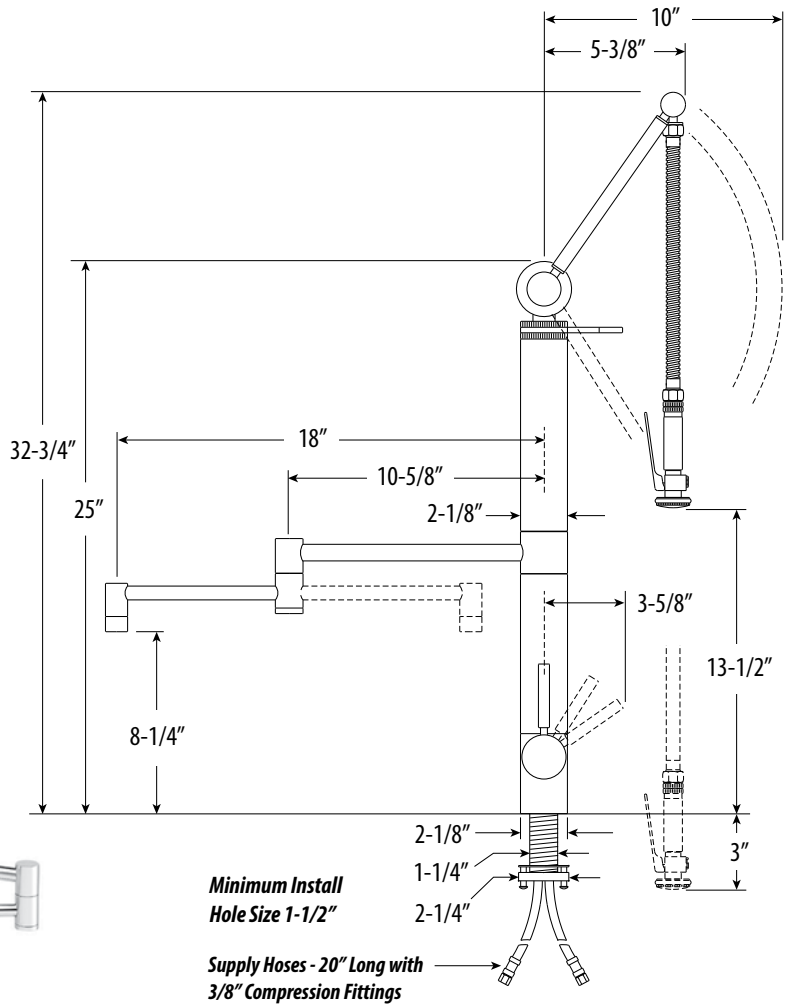
MODEL #	GRP 1	GRP 2	GRP 3	SS
3710-18	6825	7166	9336	9590

FEATURES:

- Inspired by the heavy lifting Gantry cranes of U.S. harbors.
- Innovative, patent protected faucet design.
- Spray arm spring technology gives the sprayer an easy, smooth pull.
- Articulated spout has 18" reach and can swivel 360 degrees.
- Spray arm extends and pivots to reach all areas of sink.
- Sprayer instantly diverts water from aerated stream to wide spray when lever handle is held.
- Spray swivel design is fully insulated against heat.
- 1.75 gpm maximum flow rate with aerated tip.
- Hot/cold ceramic disk valve cartridge.
- Compatible with reverse osmosis water and systems.
- Made from eco-friendly solid brass or 316 stainless steel.

MEETS THE FOLLOWING:

- ASME A112.18.1
- CSA B125.1
- NSF 61, 372
- CALGreen

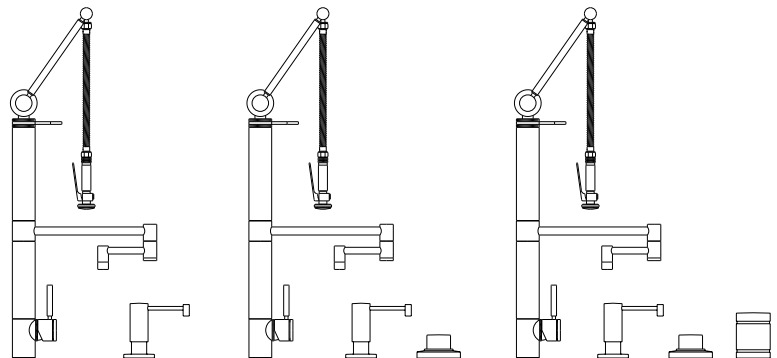


GANTRY FAUCETS

3710-18 SUITES

SUITE LIST PRICES:

MODEL #	GRP 1	GRP 2	GRP 3	SS
3710-18-2	7302	7667	9989	10260
3710-18-3	7751	8139	10604	10892
3710-18-4	8036	8438	10993	11292



3710-18-2

3710-18-3

3710-18-4

2pc. Suite Soap/Lotion Dispenser (4065)

3pc. Suite includes Soap/Lotion Dispenser (4065) and Air Switch (3010)

4pc. Suite includes Soap/Lotion Dispenser (4065), Air Switch (3010) and Single Port Air Gap (3020)

FINISH GROUP 1: CH

FINISH GROUP 2: BLN, CHB, CLZ, GR, MB, MW, PB, PN, SB, SC, SN, UPB

FINISH GROUP 3: AB, ABZ, AC, AMB, AP, CB, DAB, DAC, DAMB, DAP, MAB, MAC, MAP, ORB, PC, TB

PRECIOUS METALS: PG, SG - 30% increase from Group 3*

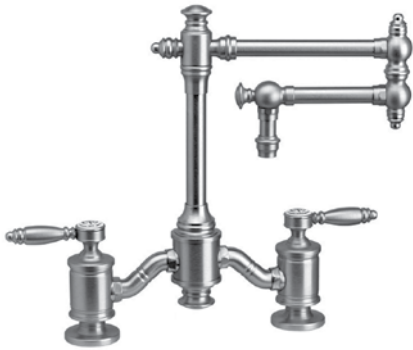
STAINLESS STEEL: SS

SPLIT FINISHES: SEE PAGE 32

*Pricing subject to change

BRIDGE FAUCETS

TRADITIONAL BRIDGE FAUCETS



*Towson 12" Bridge Faucet - 6100-12
(pg. 138)*



*Towson 18" Bridge Faucet - 6100-18
(pg. 139)*



*Towson 12" Bridge Faucet - 6150-12
(pg. 140)*



*Towson 18" Bridge Faucet - 6150-18
(pg. 141)*



*Annapolis Bridge Faucet - 6200
(pg. 142)*



*Annapolis Bridge Faucet - 6250
(pg. 143)*



*Hampton Bridge Faucet - 6300
(pg. 144)*



*Hampton Bridge Faucet - 6350
(pg. 145)*

CONTEMPORARY BRIDGE FAUCETS



*Hunley 12" Bridge Faucet - 7600-12
(pg. 146)*



*Hunley 18" Bridge Faucet - 7600-18
(pg. 147)*



*Parche Bridge Faucet - 7800
(pg. 148)*



*Fulton Bridge Faucet - 7825
(pg. 149)*

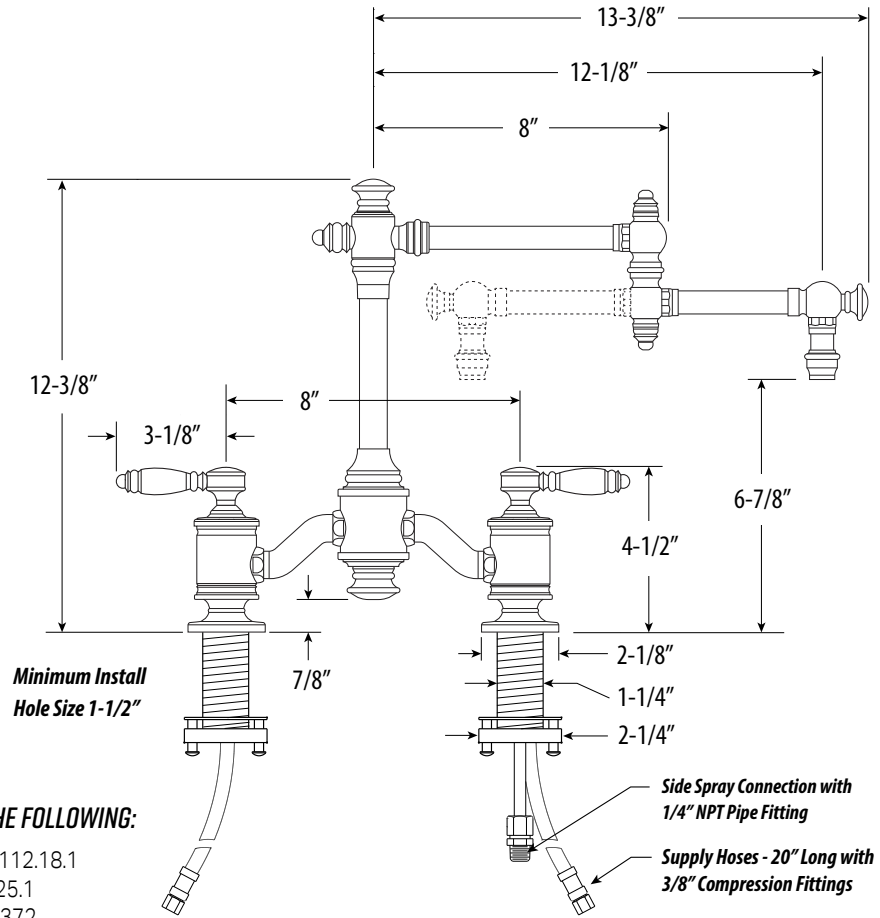
TOWSON BRIDGE FAUCET / 12" ARTICULATED SPOUT / LEVER HANDLES

LIST PRICES:

MODEL #	GRP 1	GRP 2	GRP 3	SS
6100-12	3462	3635	4735	N/A

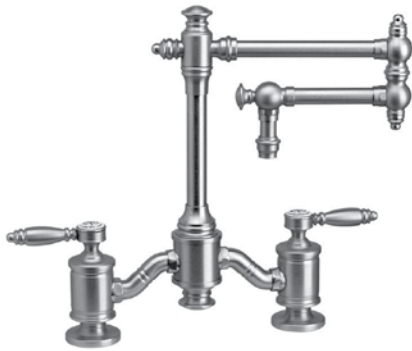
FEATURES:

- Two-holed Bridge Faucet design mounts 8" on center.
- Articulated spout has 12" reach and can swivel 360 degrees.
- Equipped with spray diverter and 1/4" NPT pipe fitting connection for optional side spray.
- Ergonomic double lever handles.
- ADA compliant.
- Hot and cold ceramic disk valve cartridges.
- 1.75 gpm maximum flow rate with aerated tip.
- Compatible with reverse osmosis water and systems.
- Made from eco-friendly solid brass.



MEETS THE FOLLOWING:

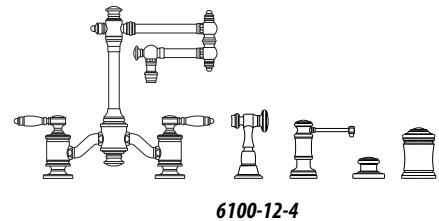
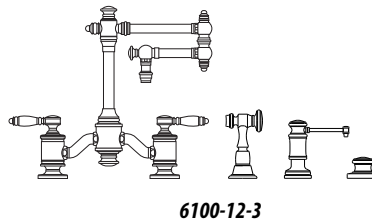
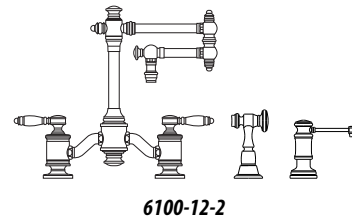
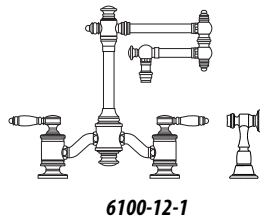
- ASME A112.18.1
- CSA B125.1
- NSF 61, 372
- CALGreen
- ADA compliant



6100-12 SUITES

SUITE LIST PRICES:

MODEL #	GRP 1	GRP 2	GRP 3	SS
6100-12-1	4177	4388	5717	N/A
6100-12-2	4743	4980	6488	N/A
6100-12-3	5239	5502	7168	N/A
6100-12-4	5555	5833	7599	N/A



1pc. Suite includes Side Spray (4025)

2pc. Suite includes Side Spray (4025) and Soap/Lotion Dispenser (4055)

3pc. Suite includes Side Spray (4025), Soap/Lotion Dispenser (4055) and Air Switch (4010)

4pc. Suite includes Side Spray (4025), Soap/Lotion Dispenser (4055), Air Switch (4010) and Single Port Air Gap (4020)

FINISH GROUP 1: CH

FINISH GROUP 2: BLN, CHB, CLZ, GR, MB, MW, PB, PN, SB, SC, SN, UPB

FINISH GROUP 3: AB, ABZ, AC, AMB, AP, CB, DAB, DAC, DAMB, DAP, MAB, MAC, MAP, ORB, PC, TB

PRECIOUS METALS: PG, SG - 30% increase from Group 3*

STAINLESS STEEL: SS

SPLIT FINISHES: SEE PAGE 32

*Pricing subject to change

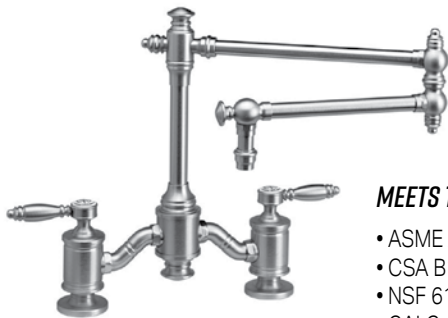
TOWSON BRIDGE FAUCET / 18" ARTICULATED SPOUT / LEVER HANDLES

LIST PRICES:

MODEL #	GRP 1	GRP 2	GRP 3	SS
6100-18	3598	3778	4924	N/A

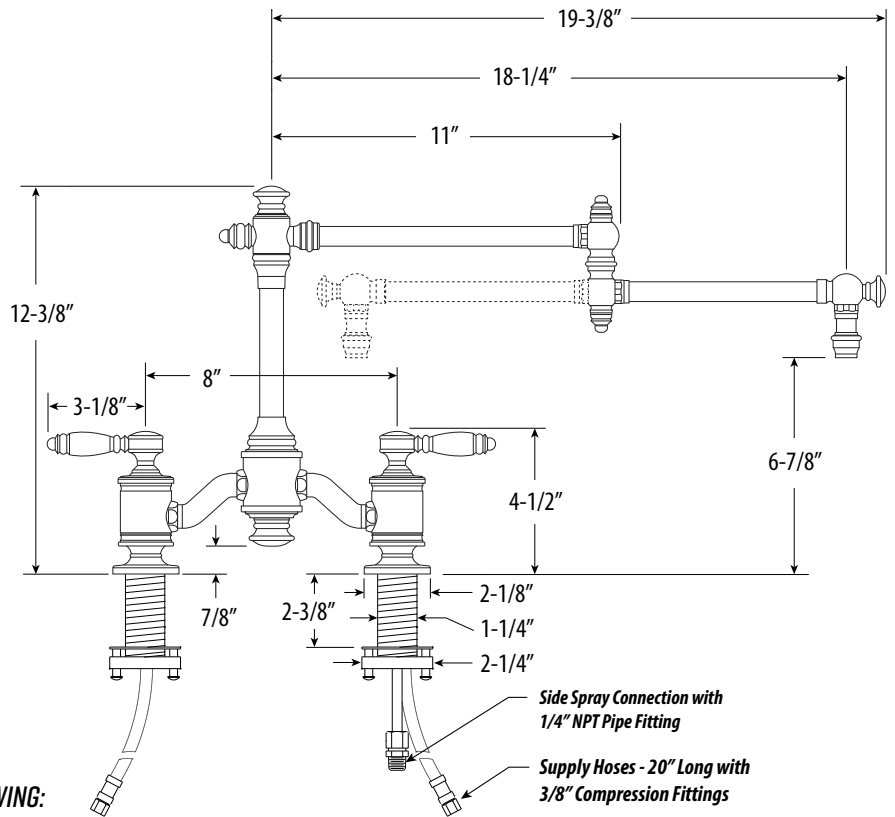
FEATURES:

- Part of the traditional Towson Suite.
- Two-holed Bridge Faucet design mounts 8" on center.
- Articulated spout has 18" reach and can swivel 360 degrees.
- Equipped with spray diverter and 1/4" NPT pipe fitting connection for optional side spray.
- Ergonomic double lever handles.
- ADA compliant.
- Hot and cold ceramic disk valve cartridges.
- 1.75 gpm maximum flow rate with aerated tip.
- Compatible with reverse osmosis water and systems.
- Made from eco-friendly solid brass.



MEETS THE FOLLOWING:

- ASME A112.18.1
- CSA B125.1
- NSF 61, 372
- CALGreen
- ADA compliant

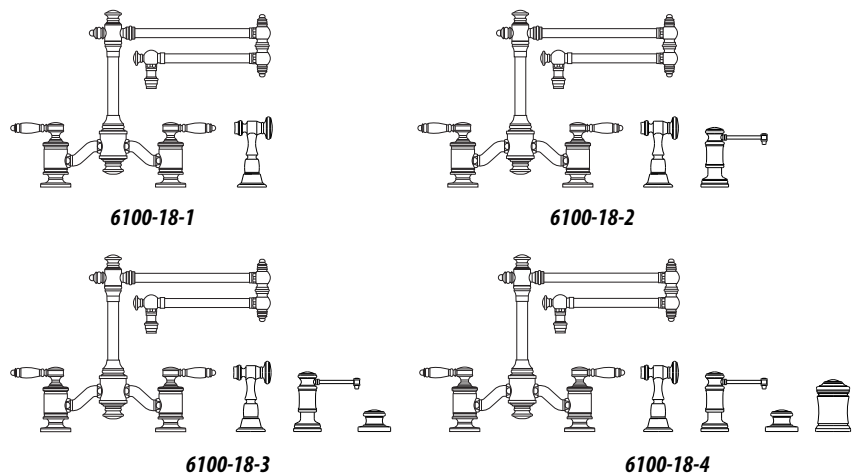


Minimum Install Hole Size 1-1/2"

6100-18 SUITES

SUITE LIST PRICES:

MODEL #	GRP 1	GRP 2	GRP 3	SS
6100-18-1	4315	4471	5906	N/A
6100-18-2	4879	5123	6677	N/A
6100-18-3	5375	5645	7357	N/A
6100-18-4	5691	5976	7788	N/A



- 1pc. Suite includes Side Spray (4025)
- 2pc. Suite includes Side Spray (4025) and Soap/Lotion Dispenser (4055)
- 3pc. Suite includes Side Spray (4025), Soap/Lotion Dispenser (4055) and Air Switch (4010)
- 4pc. Suite includes Side Spray (4025), Soap/Lotion Dispenser (4055), Air Switch (4010) and Single Port Air Gap (4020)

FINISH GROUP 1: CH
FINISH GROUP 2: BLN, CHB, CLZ, GR, MB, MW, PB, PN, SB, SC, SN, UPB
FINISH GROUP 3: AB, ABZ, AC, AMB, AP, CB, DAB, DAC, DAMB, DAP, MAB, MAC, MAP, ORB, PC, TB

PRECIOUS METALS: PG, SG - 30% increase from Group 3*
STAINLESS STEEL: SS
SPLIT FINISHES: SEE PAGE 32

*Pricing subject to change

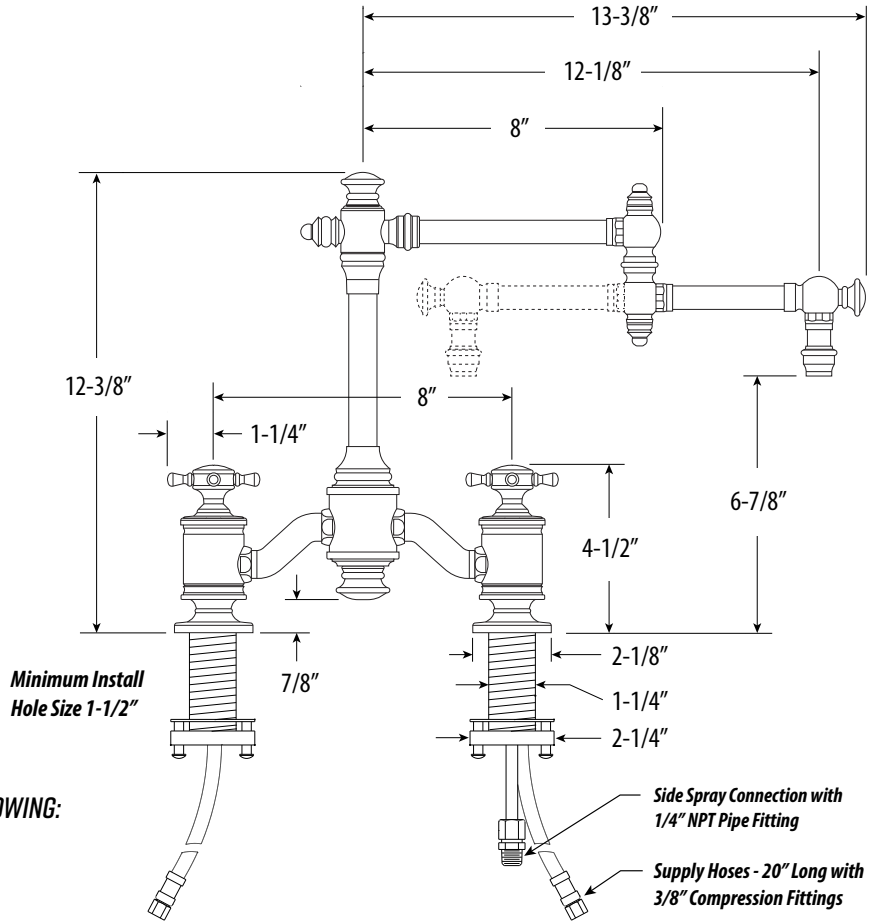
TOWSON BRIDGE FAUCET / 12" ARTICULATED SPOUT / CROSS HANDLES

LIST PRICES:

MODEL #	GRP 1	GRP 2	GRP 3	SS
6150-12	3666	3850	5016	N/A

FEATURES:

- Two-holed Bridge Faucet design mounts 8" on center.
- Articulated spout has 12" reach and can swivel 360 degrees.
- Equipped with spray diverter and 1/4" NPT pipe fitting connection for optional side spray.
- Ergonomic double cross handles.
- Hot and cold ceramic disk valve cartridges.
- 1.75 gpm maximum flow rate with aerated tip.
- Compatible with reverse osmosis water and systems.
- Made from eco-friendly solid brass.



BRIDGE FAUCETS



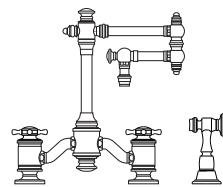
MEETS THE FOLLOWING:

- ASME A112.18.1
- CSA B125.1
- NSF 61, 372
- CALGreen

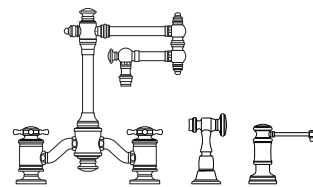
6150-12 SUITES

SUITE LIST PRICES:

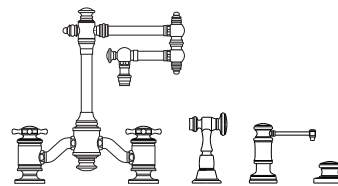
MODEL #	GRP 1	GRP 2	GRP 3	SS
6150-12-1	4383	4603	5998	N/A
6150-12-2	4947	5195	6769	N/A
6150-12-3	5443	5717	7449	N/A
6150-12-4	5759	6048	7880	N/A



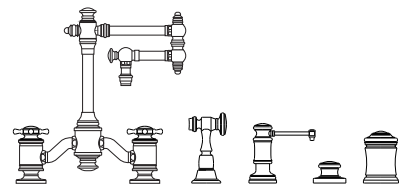
6150-12-1



6150-12-2



6150-12-3



6150-12-4

1pc. Suite includes Side Spray (4025)

2pc. Suite includes Side Spray (4025) and Soap/Lotion Dispenser (4055)

3pc. Suite includes Side Spray (4025), Soap/Lotion Dispenser (4055) and Air Switch (4010)

4pc. Suite includes Side Spray (4025), Soap/Lotion Dispenser (4055), Air Switch (4010) and Single Port Air Gap (4020)

FINISH GROUP 1: CH

FINISH GROUP 2: BLN, CHB, CLZ, GR, MB, MW, PB, PN, SB, SC, SN, UPB

FINISH GROUP 3: AB, ABZ, AC, AMB, AP, CB, DAB, DAC, DAMB, DAP, MAB, MAC, MAP, ORB, PC, TB

PRECIOUS METALS: PG, SG - 30% increase from Group 3*

STAINLESS STEEL: SS

SPLIT FINISHES: SEE PAGE 32

*Pricing subject to change

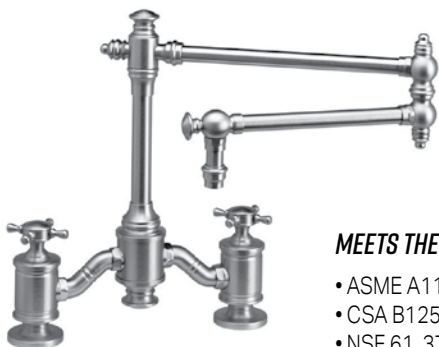
TOWSON BRIDGE FAUCET / 18" ARTICULATED SPOUT / CROSS HANDLES

LIST PRICES:

MODEL #	GRP 1	GRP 2	GRP 3	SS
6150-18	3804	3995	5206	N/A

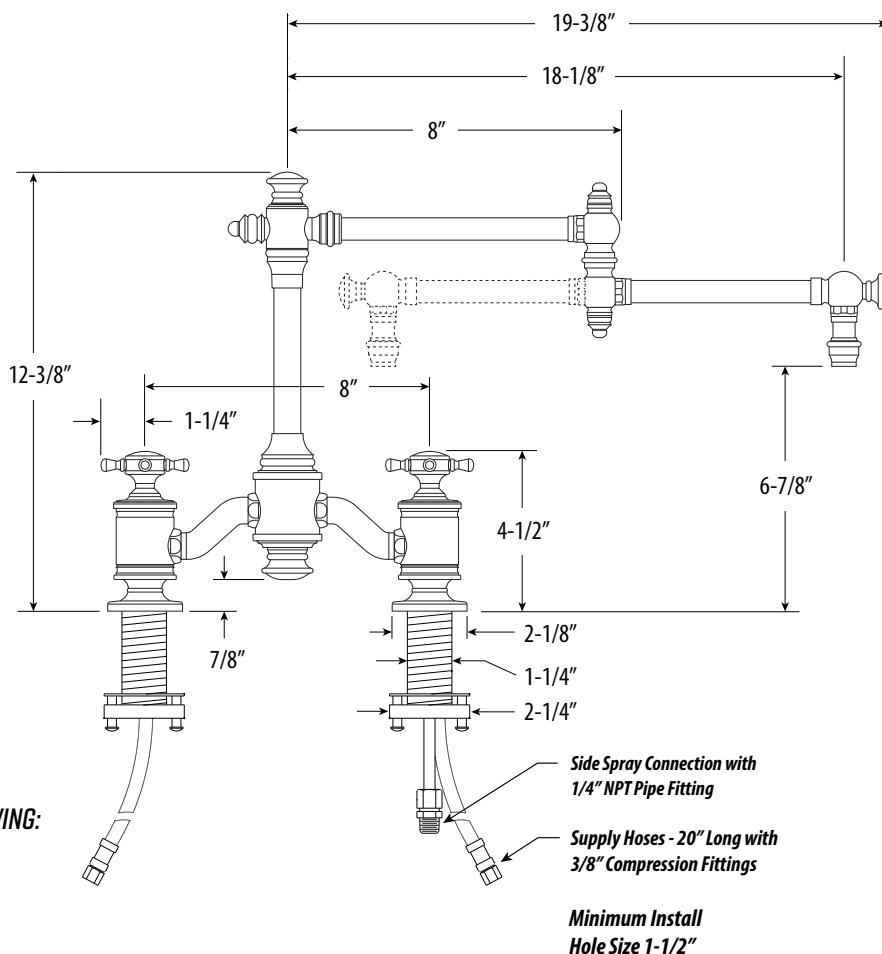
FEATURES:

- Part of the traditional Towson Suite.
- Two-holed Bridge Faucet design mounts 8" on center.
- Articulated spout has 18" reach and can swivel 360 degrees.
- Equipped with spray diverter and 1/4" NPT pipe fitting connection for optional side spray.
- Ergonomic double cross handles.
- Hot and cold ceramic disk valve cartridges.
- 1.75 gpm maximum flow rate with aerated tip.
- Compatible with reverse osmosis water and systems.
- Made from eco-friendly solid brass.



MEETS THE FOLLOWING:

- ASME A112.18.1
- CSA B125.1
- NSF 61, 372
- CALGreen

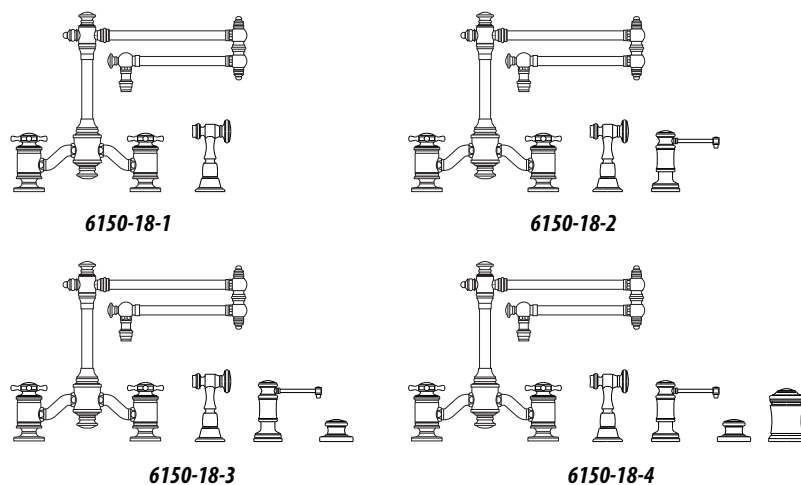


BRIDGE FAUCETS

6150-18 SUITES

SUITE LIST PRICES:

MODEL #	GRP 1	GRP 2	GRP 3	SS
6150-18-1	4521	4748	6188	N/A
6150-18-2	5085	5340	6959	N/A
6150-18-3	5581	5862	7639	N/A
6150-18-4	5897	6193	8070	N/A



- 1pc. Suite includes Side Spray (4025)
- 2pc. Suite includes Side Spray (4025) and Soap/Lotion Dispenser (4055)
- 3pc. Suite includes Side Spray (4025), Soap/Lotion Dispenser (4055) and Air Switch (4010)
- 4pc. Suite includes Side Spray (4025), Soap/Lotion Dispenser (4055), Air Switch (4010) and Single Port Air Gap (4020)

FINISH GROUP 1: CH
FINISH GROUP 2: BLN, CHB, CLZ, GR, MB, MW, PB, PN, SB, SC, SN, UPB
FINISH GROUP 3: AB, ABZ, AC, AMB, AP, CB, DAB, DAC, DAMB, DAP, MAB, MAC, MAP, ORB, PC, TB

PRECIOUS METALS: PG, SG - 30% increase from Group 3*
STAINLESS STEEL: SS
SPLIT FINISHES: SEE PAGE 32

*Pricing subject to change

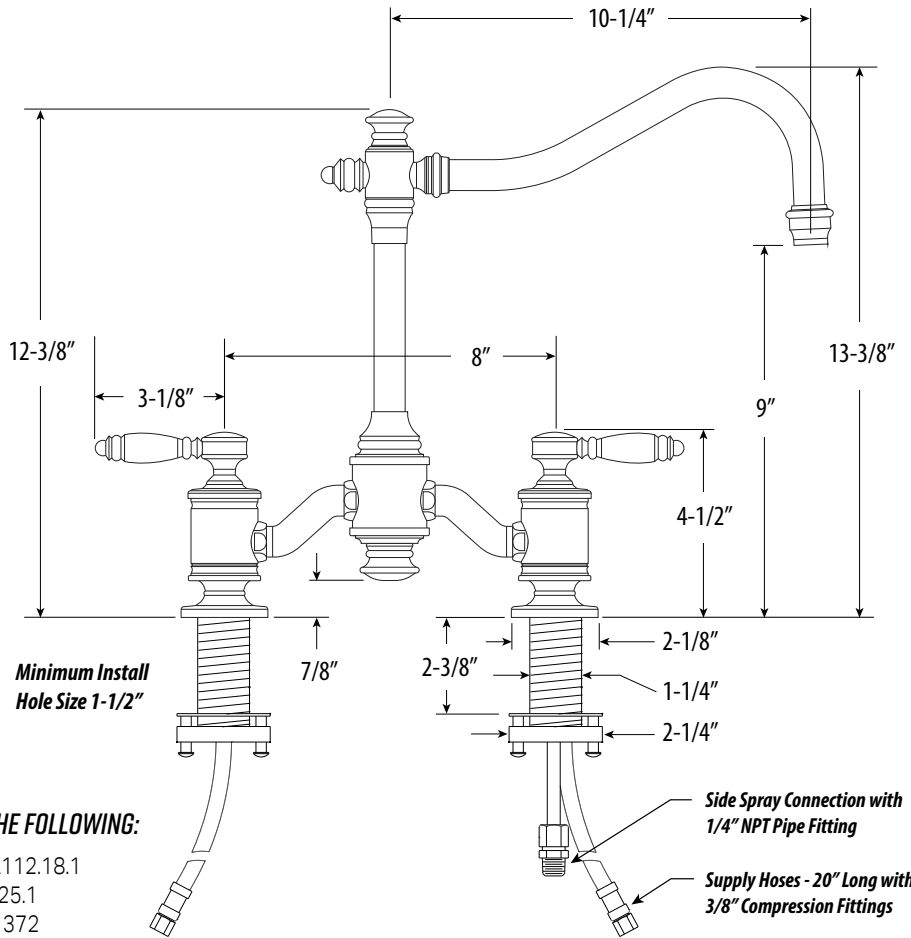
ANNAPOLIS BRIDGE FAUCET / HOOK SPOUT / LEVER HANDLES

LIST PRICES:

MODEL #	GRP 1	GRP 2	GRP 3	SS
6200	3284	3447	4492	N/A

FEATURES:

- Two-holed Bridge Faucet design mounts 8" on center.
- Hook spout has 10-1/4" reach and can swivel 360 degrees.
- Equipped with spray diverter and 1/4" NPT pipe fitting connection for optional side spray.
- Ergonomic double lever handles.
- ADA compliant.
- Hot and cold ceramic disk valve cartridges.
- 1.75 gpm maximum flow rate with aerated tip.
- Compatible with reverse osmosis water and systems.
- Made from eco-friendly solid brass.



MEETS THE FOLLOWING:

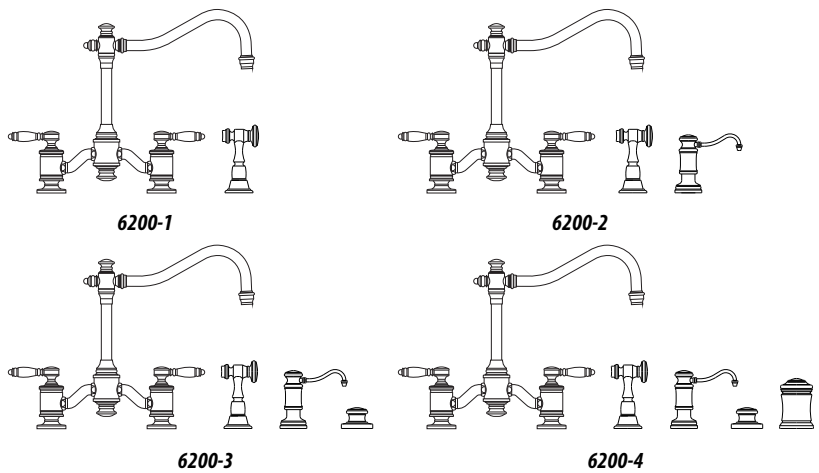
- ASME A112.18.1
- CSA B125.1
- NSF 61, 372
- CALGreen
- ADA compliant



6200 SUITES

SUITE LIST PRICES:

MODEL #	GRP 1	GRP 2	GRP 3	SS
6200-1	4001	4200	5474	N/A
6200-2	4565	4792	6245	N/A
6200-3	5061	5314	6925	N/A
6200-4	5377	5645	7356	N/A



1pc. Suite includes Side Spray (4025)

2pc. Suite includes Side Spray (4025) and Soap/Lotion Dispenser (4060)

3pc. Suite includes Side Spray (4025), Soap/Lotion Dispenser (4060) and Air Switch (4010)

4pc. Suite includes Side Spray (4025), Soap/Lotion Dispenser (4060), Air Switch (4010) and Single Port Air Gap (4020)

FINISH GROUP 1: CH

FINISH GROUP 2: BLN, CHB, CLZ, GR, MB, MW, PB, PN, SB, SC, SN, UPB

FINISH GROUP 3: AB, ABZ, AC, AMB, AP, CB, DAB, DAC, DAMB, DAP, MAB, MAC, MAP, ORB, PC, TB

PRECIOUS METALS: PG, SG - 30% increase from Group 3*

STAINLESS STEEL: SS

SPLIT FINISHES: SEE PAGE 32

*Pricing subject to change

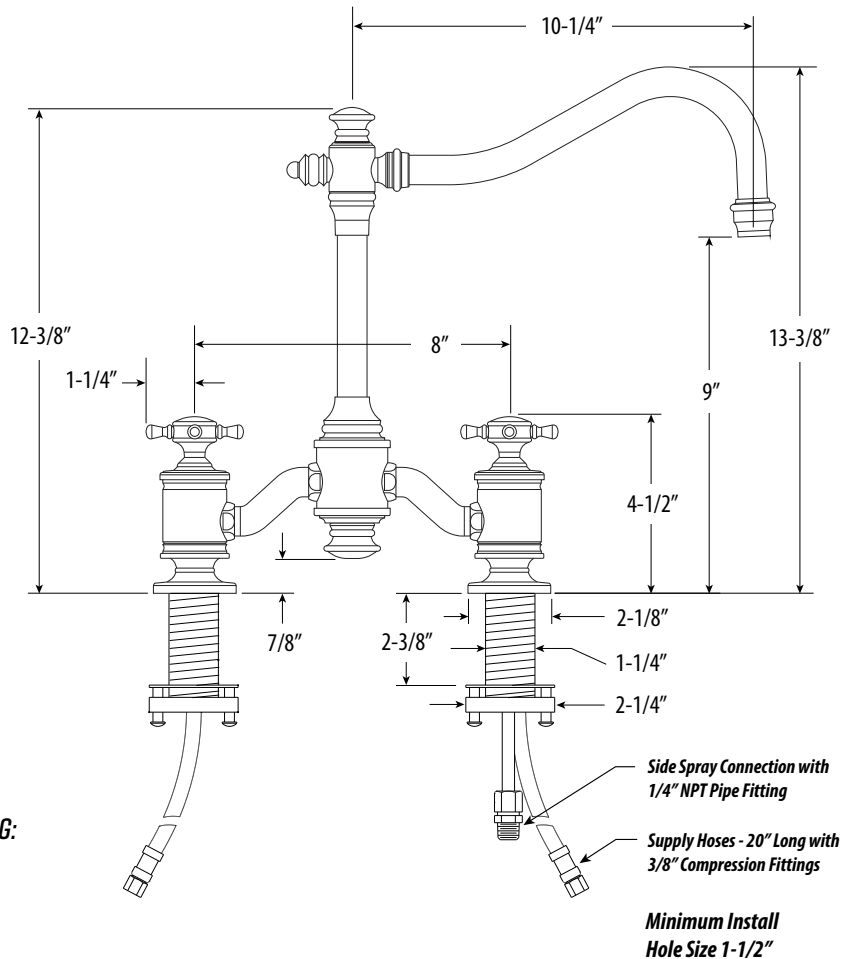
ANNAPOLIS BRIDGE FAUCET / HOOK SPOUT / CROSS HANDLES

LIST PRICES:

MODEL #	GRP 1	GRP 2	GRP 3	SS
6250	3324	3490	4548	N/A

FEATURES:

- Part of the traditional Annapolis Suite.
- Two-holed Bridge Faucet design mounts 8" on center.
- Hook spout has 10-1/4" reach and can swivel 360 degrees.
- Equipped with spray diverter and 1/4" NPT pipe fitting connection for optional side spray.
- Ergonomic double cross handles.
- Hot and cold ceramic disk valve cartridges.
- 1.75 gpm maximum flow rate with aerated tip.
- Compatible with reverse osmosis water and systems.
- Made from eco-friendly solid brass.



BRIDGE FAUCETS



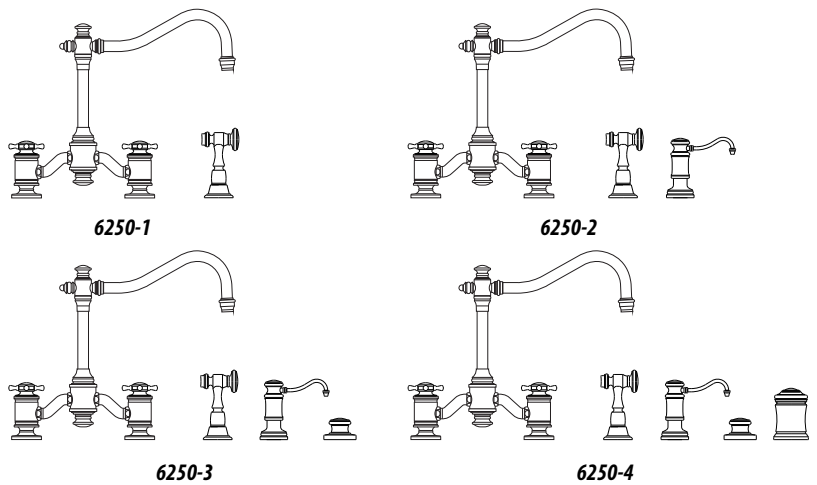
MEETS THE FOLLOWING:

- ASME A112.18.1
- CSA B125.1
- NSF 61, 372
- CALGreen

6250 SUITES

SUITE LIST PRICES:

MODEL #	GRP 1	GRP 2	GRP 3	SS
6250-1	4041	4243	5530	N/A
6250-2	4605	4835	6301	N/A
6250-3	5101	5357	6981	N/A
6250-4	5417	5688	7412	N/A



- 1pc. Suite includes Side Spray (4025)
- 2pc. Suite includes Side Spray (4025) and Soap/Lotion Dispenser (4060)
- 3pc. Suite includes Side Spray (4025), Soap/Lotion Dispenser (4060) and Air Switch (4010)
- 4pc. Suite includes Side Spray (4025), Soap/Lotion Dispenser (4060), Air Switch (4010) and Single Port Air Gap (4020)

FINISH GROUP 1: CH
FINISH GROUP 2: BLN, CHB, CLZ, GR, MB, MW, PB, PN, SB, SC, SN, UPB
FINISH GROUP 3: AB, ABZ, AC, AMB, AP, CB, DAB, DAC, DAMB, DAP, MAB, MAC, MAP, ORB, PC, TB

PRECIOUS METALS: PG, SG - 30% increase from Group 3*
STAINLESS STEEL: SS
SPLIT FINISHES: SEE PAGE 32

*Pricing subject to change

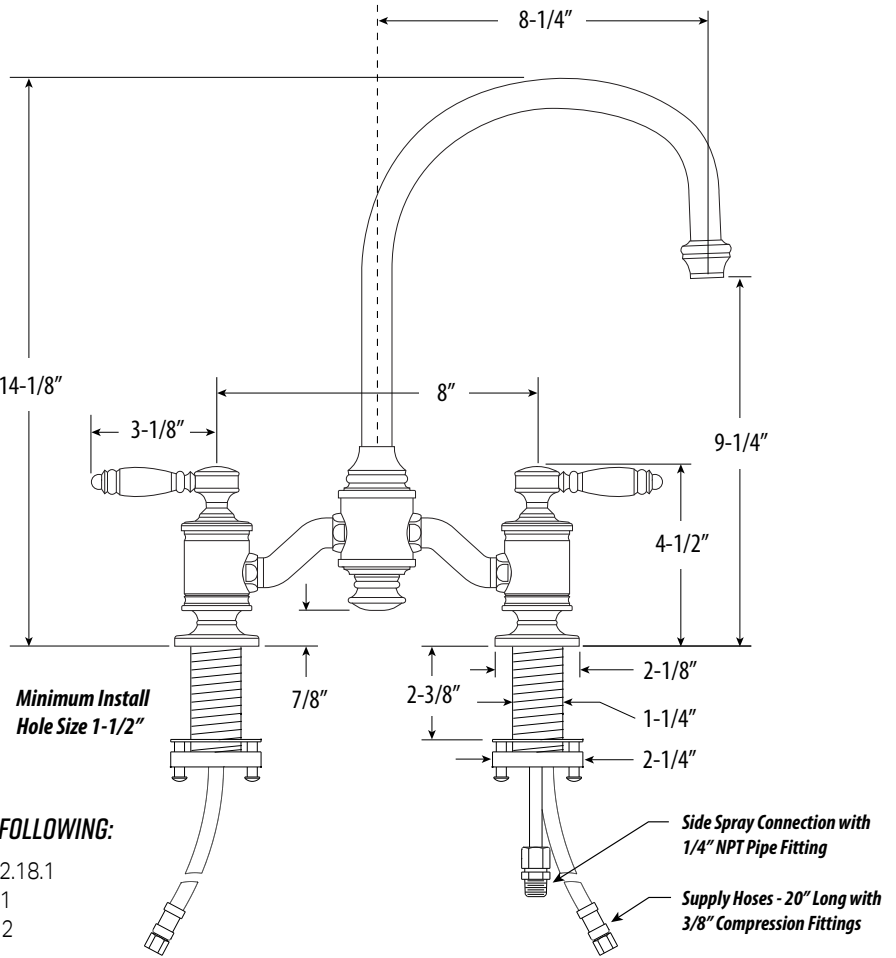
HAMPTON BRIDGE FAUCET / C-SPOUT / LEVER HANDLES

LIST PRICES:

MODEL #	GRP 1	GRP 2	GRP 3	SS
6300	2873	3017	3931	N/A

FEATURES:

- Two-holed Bridge Faucet design mounts 8" on center.
- C-spout has 8-1/4" reach and can swivel 360 degrees.
- Equipped with spray diverter and 1/4" NPT pipe fitting connection for optional side spray.
- Ergonomic double lever handles.
- ADA compliant.
- Hot and cold ceramic disk valve cartridges.
- 1.75 gpm maximum flow rate with aerated tip.
- Compatible with reverse osmosis water and systems.
- Made from eco-friendly solid brass.



MEETS THE FOLLOWING:

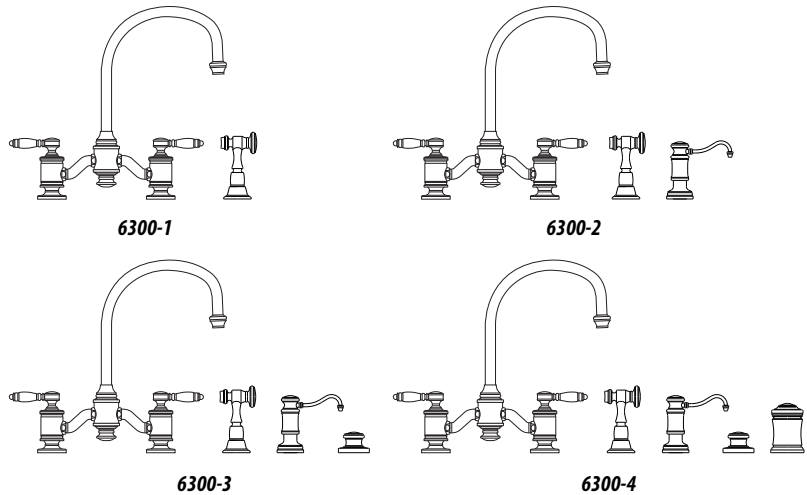
- ASME A112.18.1
- CSA B125.1
- NSF 61, 372
- CALGreen
- ADA compliant

BRIDGE FAUCETS

6300 SUITES

SUITE LIST PRICES:

MODEL #	GRP 1	GRP 2	GRP 3	SS
6300-1	3590	3770	4913	N/A
6300-2	4154	4362	5684	N/A
6300-3	4650	4884	6364	N/A
6300-4	4966	5215	6795	N/A



1pc. Suite includes Side Spray (4025)

2pc. Suite includes Side Spray (4025) and Soap/Lotion Dispenser (4060)

3pc. Suite includes Side Spray (4025), Soap/Lotion Dispenser (4060) and Air Switch (4010)

4pc. Suite includes Side Spray (4025), Soap/Lotion Dispenser (4060), Air Switch (4010) and Single Port Air Gap (4020)

FINISH GROUP 1: CH

FINISH GROUP 2: BLN, CHB, CLZ, GR, MB, MW, PB, PN, SB, SC, SN, UPB

FINISH GROUP 3: AB, ABZ, AC, AMB, AP, CB, DAB, DAC, DAMB, DAP, MAB, MAC, MAP, ORB, PC, TB

PRECIOUS METALS: PG, SG - 30% increase from Group 3*

STAINLESS STEEL: SS

SPLIT FINISHES: SEE PAGE 32

*Pricing subject to change

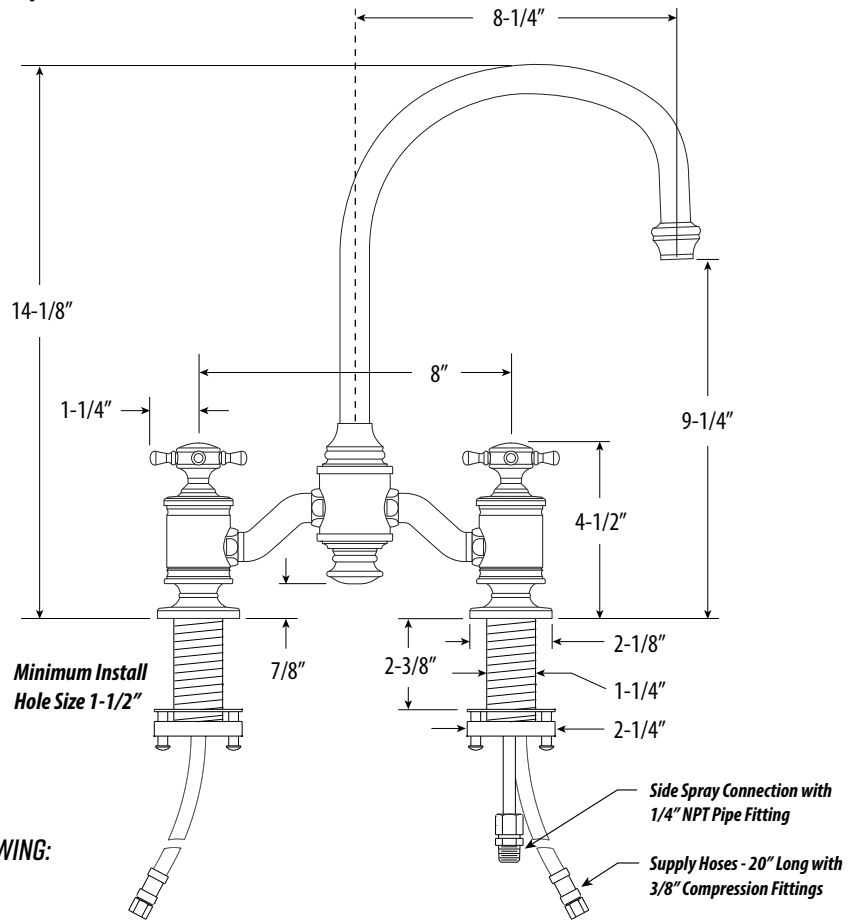
HAMPTON BRIDGE FAUCET / C-SPOUT / CROSS HANDLES

LIST PRICES:

MODEL #	GRP 1	GRP 2	GRP 3	SS
6350	3010	3160	4117	N/A

FEATURES:

- Part of the traditional Hampton Suite.
- Two-holed Bridge Faucet design mounts 8" on center.
- C-spout has 8-1/4" reach and can swivel 360 degrees.
- Equipped with spray diverter and 1/4" NPT pipe fitting connection for optional side spray.
- Ergonomic double cross handles.
- Hot and cold ceramic disk valve cartridges.
- 1.75 gpm maximum flow rate with aerated tip.
- Compatible with reverse osmosis water and systems.
- Made from eco-friendly solid brass.



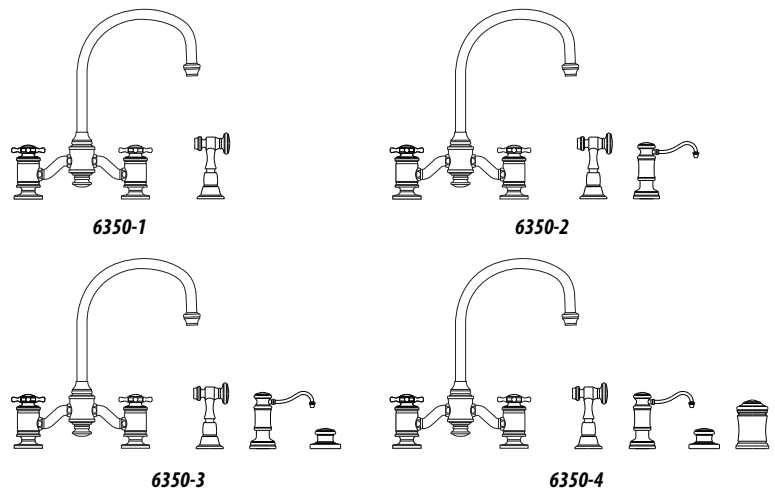
MEETS THE FOLLOWING:

- ASME A112.18.1
- CSA B125.1
- NSF 61, 372
- CALGreen

6350 SUITES

SUITE LIST PRICES:

MODEL #	GRP 1	GRP 2	GRP 3	SS
6350-1	3727	3913	5099	N/A
6350-2	4291	4505	5870	N/A
6350-3	4787	5027	6550	N/A
6350-4	5103	5358	6981	N/A



- 1pc. Suite includes Side Spray (4025)
- 2pc. Suite includes Side Spray (4025) and Soap/Lotion Dispenser (4060)
- 3pc. Suite includes Side Spray (4025), Soap/Lotion Dispenser (4060) and Air Switch (4010)
- 4pc. Suite includes Side Spray (4025), Soap/Lotion Dispenser (4060), Air Switch (4010) and Single Port Air Gap (4020)

FINISH GROUP 1: CH
FINISH GROUP 2: BLN, CHB, CLZ, GR, MB, MW, PB, PN, SB, SC, SN, UPB
FINISH GROUP 3: AB, ABZ, AC, AMB, AP, CB, DAB, DAC, DAMB, DAP, MAB, MAC, MAP, ORB, PC, TB

PRECIOUS METALS: PG, SG - 30% increase from Group 3*
STAINLESS STEEL: SS
SPLIT FINISHES: SEE PAGE 32

*Pricing subject to change

HUNLEY BRIDGE FAUCET / 12" ARTICULATED SPOUT

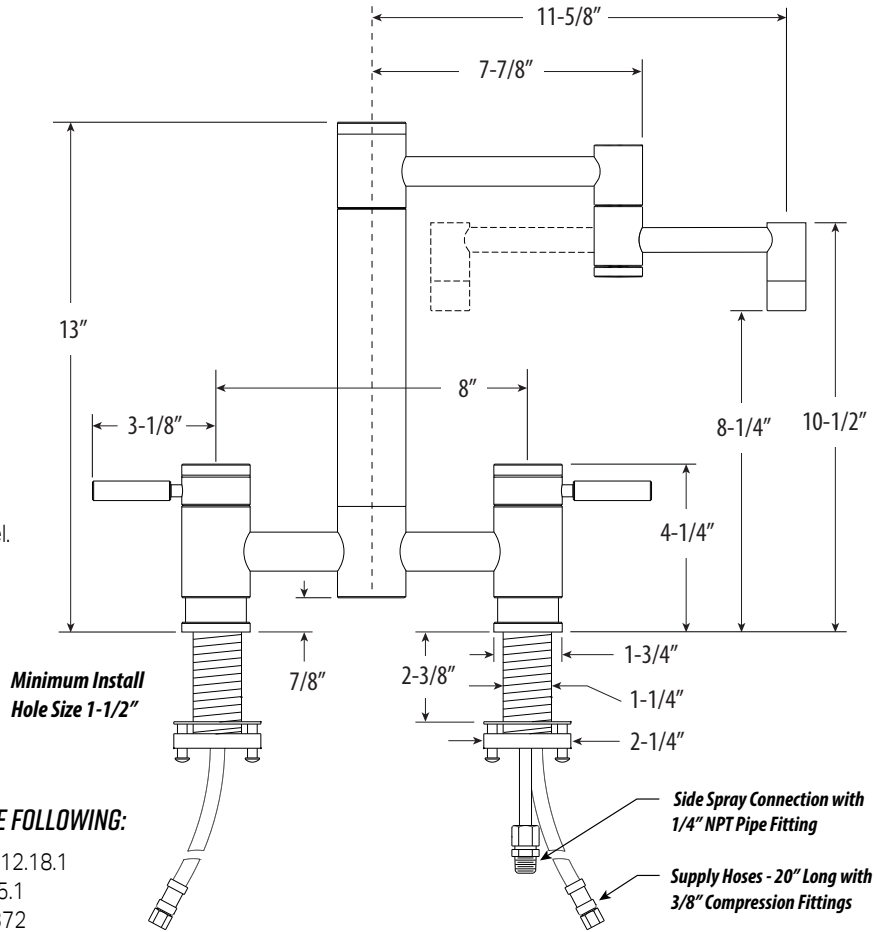
LIST PRICES:

MODEL #	GRP 1	GRP 2	GRP 3	SS
7600-12	3147	3305	4306	4422

FEATURES:

- Two-holed Bridge Faucet design mounts 8" on center.
- Articulated spout has 12" reach and can swivel 360 degrees.
- Equipped with spray diverter and 1/4" NPT pipe fitting connection for optional side spray.
- Ergonomic double lever handles.
- ADA compliant.
- Hot and cold ceramic disk valve cartridges.
- 1.75 gpm maximum flow rate with aerated tip.
- Compatible with reverse osmosis water and systems.
- Made from eco-friendly solid brass or 316 stainless steel.

BRIDGE FAUCETS



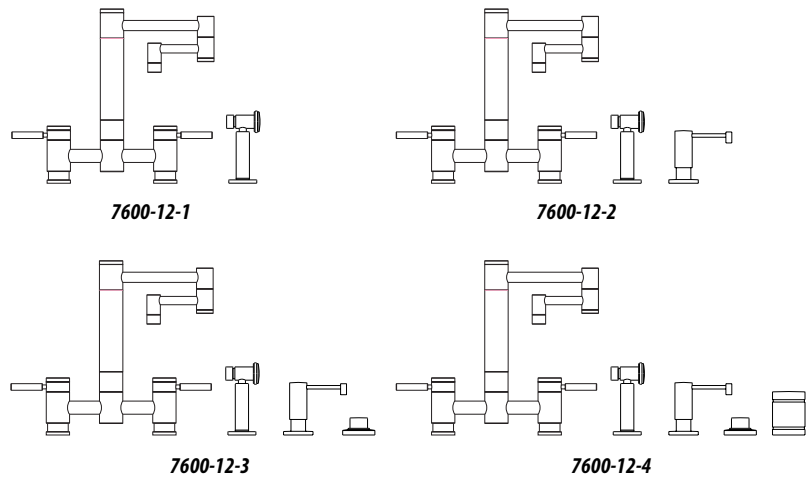
MEETS THE FOLLOWING:

- ASME A112.18.1
- CSA B125.1
- NSF 61, 372
- CALGreen
- ADA compliant

7600-12 SUITES

SUITE LIST PRICES:

MODEL #	GRP 1	GRP 2	GRP 3	SS
7600-12-1	3864	4058	5288	5430
7600-12-2	4341	4559	5941	6100
7600-12-3	4790	5031	6556	6732
7600-12-4	5075	5330	6945	7132



1pc. Suite includes Side Spray (3025)

2pc. Suite includes Side Spray (3025) and Soap/Lotion Dispenser (4065)

3pc. Suite includes Side Spray (3025), Soap/Lotion Dispenser (4065) and Air Switch (3010)

4pc. Suite includes Side Spray (3025), Soap/Lotion Dispenser (4065), Air Switch (3010) and Single Port Air Gap (3020)

FINISH GROUP 1: CH

FINISH GROUP 2: BLN, CHB, CLZ, GR, MB, MW, PB, PN, SB, SC, SN, UPB

FINISH GROUP 3: AB, ABZ, AC, AMB, AP, CB, DAB, DAC, DAMB, DAP, MAB, MAC, MAP, ORB, PC, TB

PRECIOUS METALS: PG, SG - 30% increase from Group 3*

STAINLESS STEEL: SS

SPLIT FINISHES: SEE PAGE 32

*Pricing subject to change

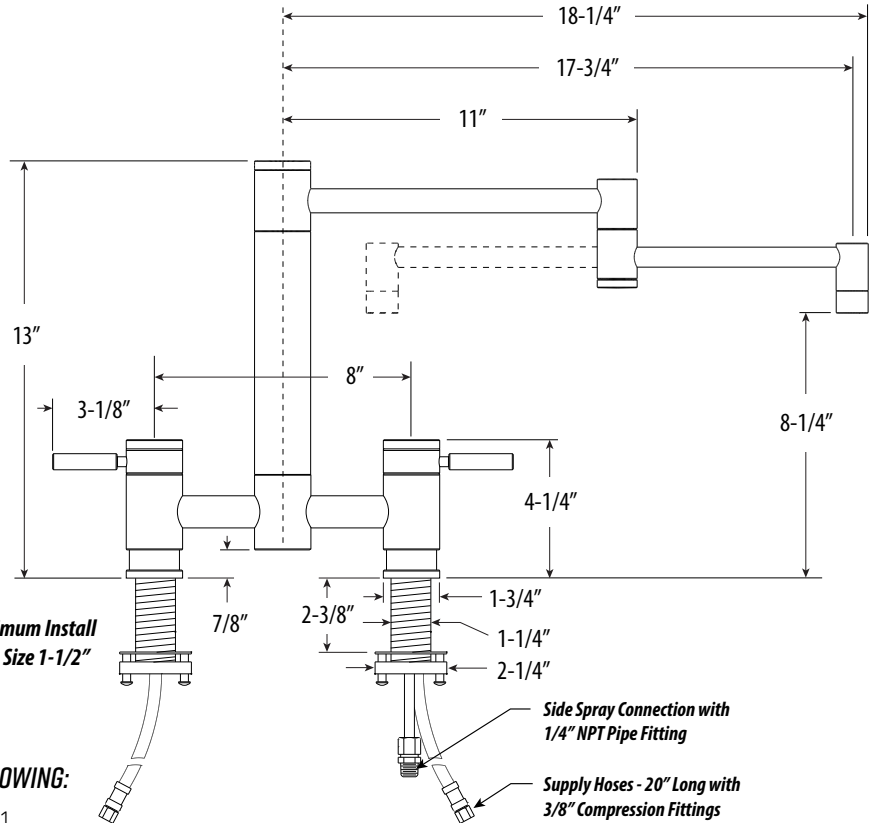
HUNLEY BRIDGE FAUCET / 18" ARTICULATED SPOUT

LIST PRICES:

MODEL #	GRP 1	GRP 2	GRP 3	SS
7600-18	3420	3591	4680	4807

FEATURES:

- Part of the contemporary Hunley Suite.
- Two-holed Bridge Faucet design mounts 8" on center.
- Articulated spout has 18" reach and can swivel 360 degrees.
- Equipped with spray diverter and 1/4" NPT pipe fitting connection for optional side spray.
- Ergonomic double lever handles.
- ADA compliant.
- Hot and cold ceramic disk valve cartridges.
- 1.75 gpm maximum flow rate with aerated tip.
- Compatible with reverse osmosis water and systems.
- Made from solid brass or 316 stainless steel.



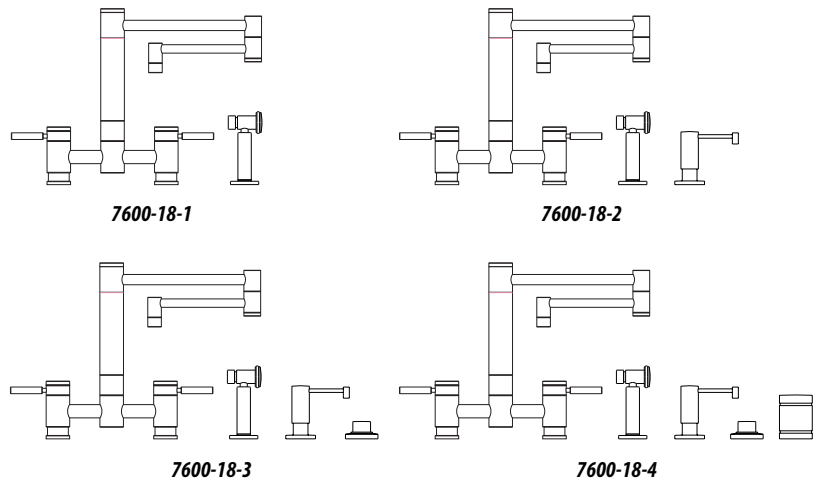
MEETS THE FOLLOWING:

- ASME A112.18.1
- CSA B125.1
- NSF 61, 372
- CALGreen
- ADA compliant

7600-18 SUITES

SUITE LIST PRICES:

MODEL #	GRP 1	GRP 2	GRP 3	SS
7600-18-1	4137	4344	5662	5815
7600-18-2	4614	4845	6315	6485
7600-18-3	5063	5317	6930	7117
7600-18-4	5348	5616	7319	7517



- 1pc. Suite includes Side Spray (3025)
- 2pc. Suite includes Side Spray (3025) and Soap/Lotion Dispenser (4065)
- 3pc. Suite includes Side Spray (3025), Soap/Lotion Dispenser (4065) and Air Switch (3010)
- 4pc. Suite includes Side Spray (3025), Soap/Lotion Dispenser (4065), Air Switch (3010) and Single Port Air Gap (3020)

FINISH GROUP 1: CH
FINISH GROUP 2: BLN, CHB, CLZ, GR, MB, MW, PB, PN, SB, SC, SN, UPB
FINISH GROUP 3: AB, ABZ, AC, AMB, AP, CB, DAB, DAC, DAMB, DAP, MAB, MAC, MAP, ORB, PC, TB

PRECIOUS METALS: PG, SG - 30% increase from Group 3*
STAINLESS STEEL: SS
SPLIT FINISHES: SEE PAGE 32

*Pricing subject to change

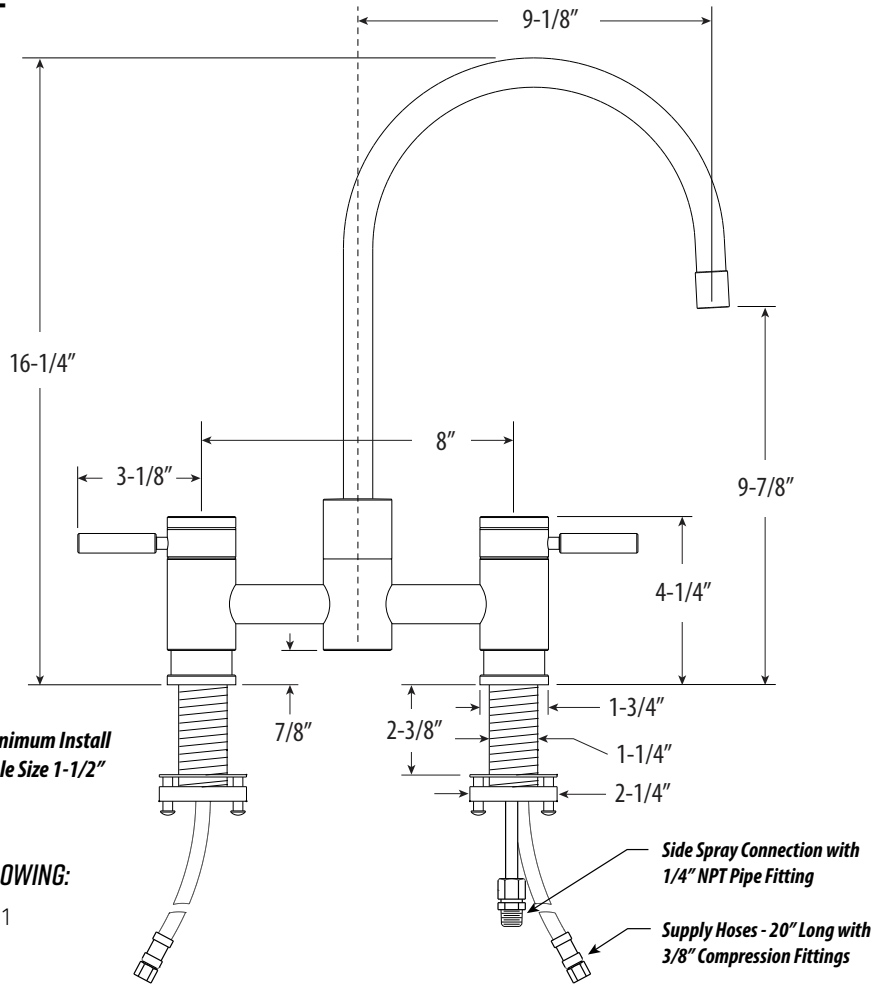
PARCHE BRIDGE FAUCET / C-SPOUT

LIST PRICES:

MODEL #	GRP 1	GRP 2	GRP 3	SS
7800	2600	2729	3556	3652

FEATURES:

- Two-holed Bridge Faucet design mounts 8" on center.
- C-spout has 9-1/8" reach and can swivel 360 degrees.
- Equipped with spray diverter and 1/4" NPT pipe fitting connection for optional side spray.
- Ergonomic double lever handles.
- ADA compliant.
- Hot and cold ceramic disk valve cartridges.
- 1.75 gpm maximum flow rate with aerated tip.
- Compatible with reverse osmosis water and systems.
- Made from eco-friendly solid brass or 316 stainless steel.



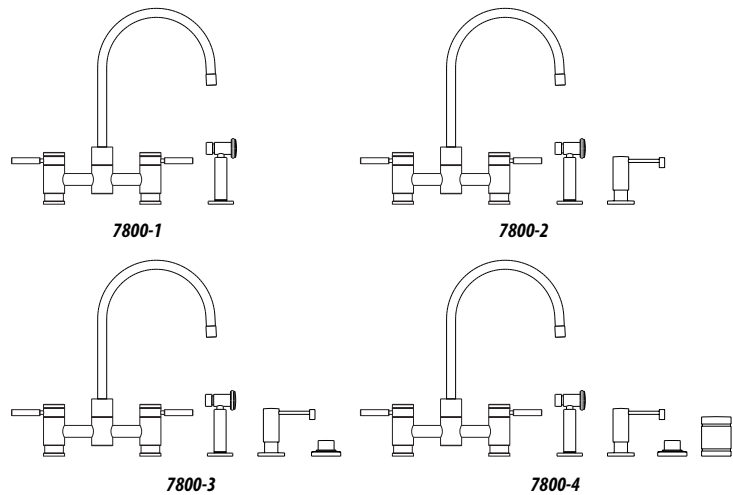
MEETS THE FOLLOWING:

- ASME A112.18.1
- CSA B125.1
- NSF 61, 372
- CALGreen
- ADA compliant

7800 SUITES

SUITE LIST PRICES:

MODEL #	GRP 1	GRP 2	GRP 3	SS
7800-1	3317	3482	4538	4660
7800-2	3794	3983	5191	5330
7800-3	4243	4455	5806	5962
7800-4	4528	4754	6195	6362



1pc. Suite includes Side Spray (3025)

2pc. Suite includes Side Spray (3025) and Soap/Lotion Dispenser (4065)

3pc. Suite includes Side Spray (3025), Soap/Lotion Dispenser (4065) and Air Switch (3010)

4pc. Suite includes Side Spray (3025), Soap/Lotion Dispenser (4065), Air Switch (3010) and Single Port Air Gap (3020)

FINISH GROUP 1: CH

FINISH GROUP 2: BLN, CHB, CLZ, GR, MB, MW, PB, PN, SB, SC, SN, UPB

FINISH GROUP 3: AB, ABZ, AC, AMB, AP, CB, DAB, DAC, DAMB, DAP, MAB, MAC, MAP, ORB, PC, TB

PRECIOUS METALS: PG, SG - 30% increase from Group 3*

STAINLESS STEEL: SS

SPLIT FINISHES: SEE PAGE 32

*Pricing subject to change

FULTON BRIDGE FAUCET / 2 BEND U-SPOUT

LIST PRICES:

MODEL #	GRP 1	GRP 2	GRP 3	SS
7825	2667	2800	3649	3748

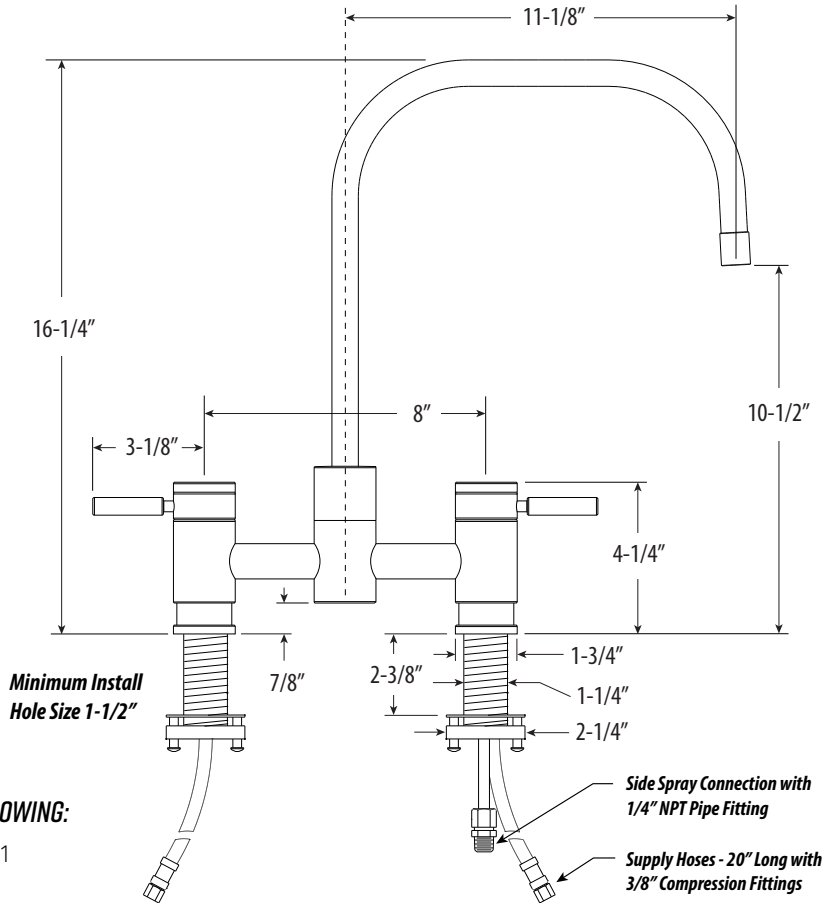
FEATURES:

- Part of the contemporary Fulton Suite.
- Two-holed Bridge Faucet design mounts 8" on center.
- 2 bend U-spout has 11-1/8" reach and can swivel 360 degrees.
- Equipped with spray diverter and 1/4" NPT pipe fitting connection for optional side spray.
- Ergonomic double lever handles.
- ADA compliant.
- Hot and cold ceramic disk valve cartridges.
- 1.75 gpm maximum flow rate with aerated tip.
- Compatible with reverse osmosis water and systems.
- Made from eco-friendly solid brass or 316 stainless steel.



MEETS THE FOLLOWING:

- ASME A112.18.1
- CSA B125.1
- NSF 61, 372
- CALGreen
- ADA compliant

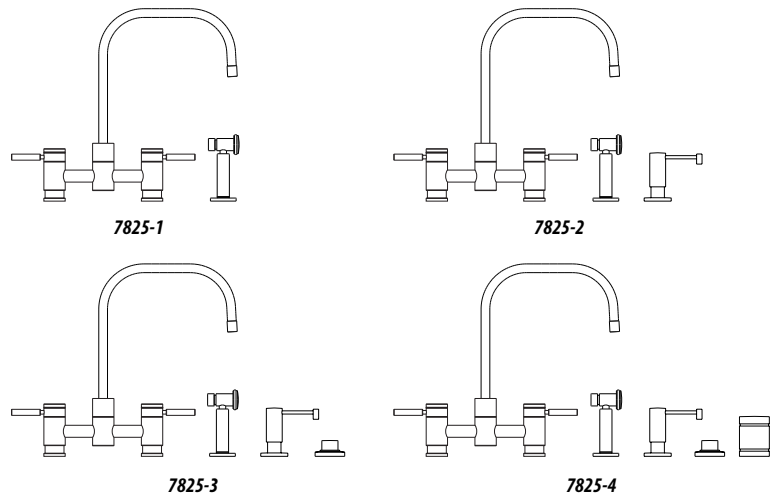


BRIDGE FAUCETS

7825 SUITES

SUITE LIST PRICES:

MODEL #	GRP 1	GRP 2	GRP 3	SS
7825-1	3384	3553	4631	4756
7825-2	3861	4054	5284	5426
7825-3	4310	4526	5899	6058
7825-4	4595	4825	6288	6458



- 1pc. Suite includes Side Spray (3025)
- 2pc. Suite includes Side Spray (3025) and Soap/Lotion Dispenser (4065)
- 3pc. Suite includes Side Spray (3025), Soap/Lotion Dispenser (4065) and Air Switch (3010)
- 4pc. Suite includes Side Spray (3025), Soap/Lotion Dispenser (4065), Air Switch (3010) and Single Port Air Gap (3020)

FINISH GROUP 1: CH
FINISH GROUP 2: BLN, CHB, CLZ, GR, MB, MW, PB, PN, SB, SC, SN, UPB
FINISH GROUP 3: AB, ABZ, AC, AMB, AP, CB, DAB, DAC, DAMB, DAP, MAB, MAC, MAP, ORB, PC, TB

PRECIOUS METALS: PG, SG - 30% increase from Group 3*
STAINLESS STEEL: SS
SPLIT FINISHES: SEE PAGE 32

*Pricing subject to change

KITCHEN FAUCETS

TRADITIONAL KITCHEN FAUCETS



*Towson 12" Kitchen Faucet - 4100-12
(pg. 152)*



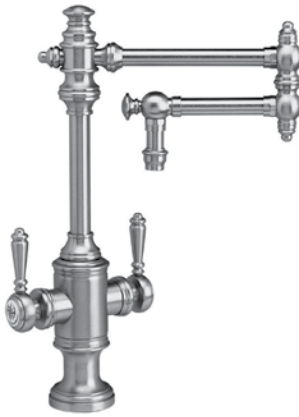
*Towson 18" Kitchen Faucet - 4100-18
(pg. 153)*



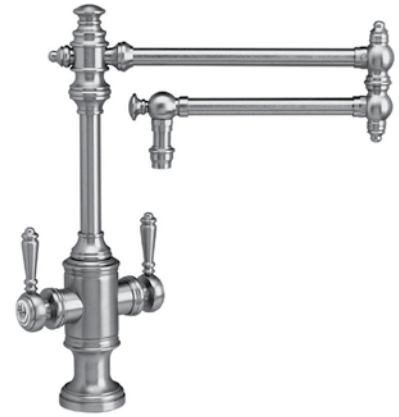
*Annapolis Kitchen Faucet - 4200
(pg. 154)*



*Hampton Kitchen Faucet - 4300
(pg. 155)*



*Towson 12" Two Handle Kitchen
Faucet - 8010-12
(pg. 156)*



*Towson 18" Two Handle Kitchen
Faucet - 8010-18
(pg. 157)*



*Annapolis Two Handle Kitchen
Faucet - 8020
(pg. 158)*



*Hampton Two Handle Kitchen
Faucet - 8030
(pg. 159)*

CONTEMPORARY KITCHEN FAUCETS



*Hunley 12" Kitchen Faucet - 3600-12
(pg. 160)*



*Hunley 18" Kitchen Faucet - 3600-18
(pg. 161)*



*Parche Kitchen Faucet - 3800
(pg. 162)*



*Fulton Kitchen Faucet - 3825
(pg. 163)*

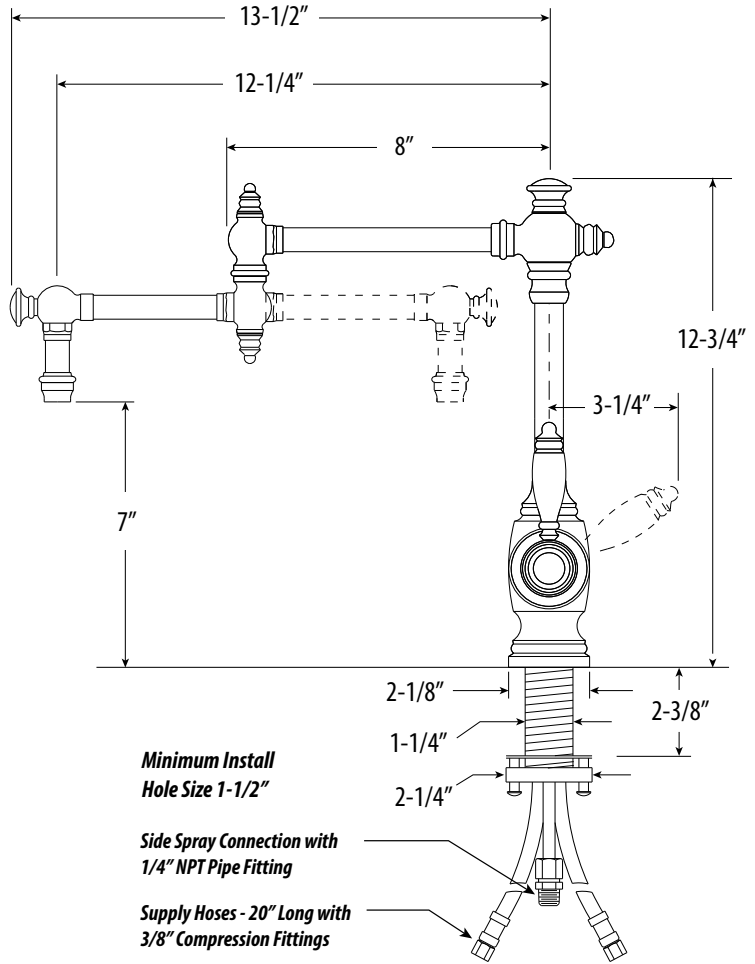
TOWSON KITCHEN FAUCET / 12" ARTICULATED SPOUT

LIST PRICES:

MODEL #	GRP 1	GRP 2	GRP 3	SS
4100-12	2068	2172	2832	N/A

FEATURES:

- Articulated spout has 12" reach and can swivel 360 degrees.
- Equipped with spray diverter and 1/4" NPT pipe fitting connection for optional side spray.
- 1.75 gpm maximum flow rate with aerated tip.
- Ergonomic single lever handle.
- Single handle can mount in front, right or left hand positions.
- When mounted on side, handle can adjust 45 degrees for backsplash clearance.
- Hot/cold ceramic disk valve cartridge.
- Made from eco-friendly solid brass.
- Compatible with reverse osmosis water and systems.



MEETS THE FOLLOWING:

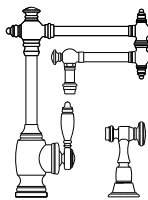
- ASME A112.18.1
- CSA B125.1
- NSF 61, 372
- CALGreen

KITCHEN FAUCETS

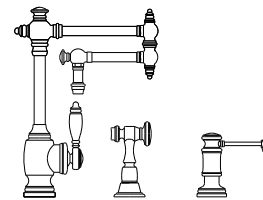
4100-12 SUITES

SUITE LIST PRICES:

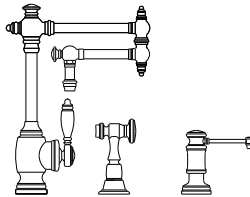
MODEL #	GRP 1	GRP 2	GRP 3	SS
4100-12-1	2785	2925	3814	N/A
4100-12-2	3349	3517	4585	N/A
4100-12-3	3845	4039	5265	N/A
4100-12-4	4161	4370	5696	N/A



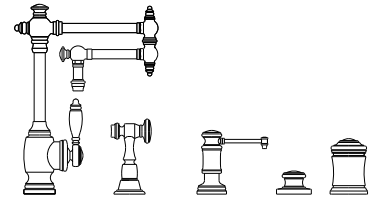
4100-12-1



4100-12-2



4100-12-3



4100-12-4

- 1pc. Suite includes Side Spray (4025)
- 2pc. Suite includes Side Spray (4025) and Soap/Lotion Dispenser (4055)
- 3pc. Suite includes Side Spray (4025), Soap/Lotion Dispenser (4055) and Air Switch (4010)
- 4pc. Suite includes Side Spray (4025), Soap/Lotion Dispenser (4055), Air Switch (4010) and Single Port Air Gap (4020)

FINISH GROUP 1: CH
FINISH GROUP 2: BLN, CHB, CLZ, GR, MB, MW, PB, PN, SB, SC, SN, UPB
FINISH GROUP 3: AB, ABZ, AC, AMB, AP, CB, DAB, DAC, DAMB, DAP, MAB, MAC, MAP, ORB, PC, TB

PRECIOUS METALS: PG, SG - 30% increase from Group 3*
STAINLESS STEEL: SS
SPLIT FINISHES: SEE PAGE 32
**Pricing subject to change*

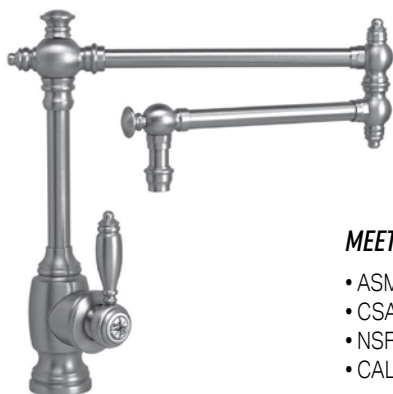
TOWSON KITCHEN FAUCET / 18" ARTICULATED SPOUT

LIST PRICES:

MODEL #	GRP 1	GRP 2	GRP 3	SS
4100-18	2191	2301	2999	N/A

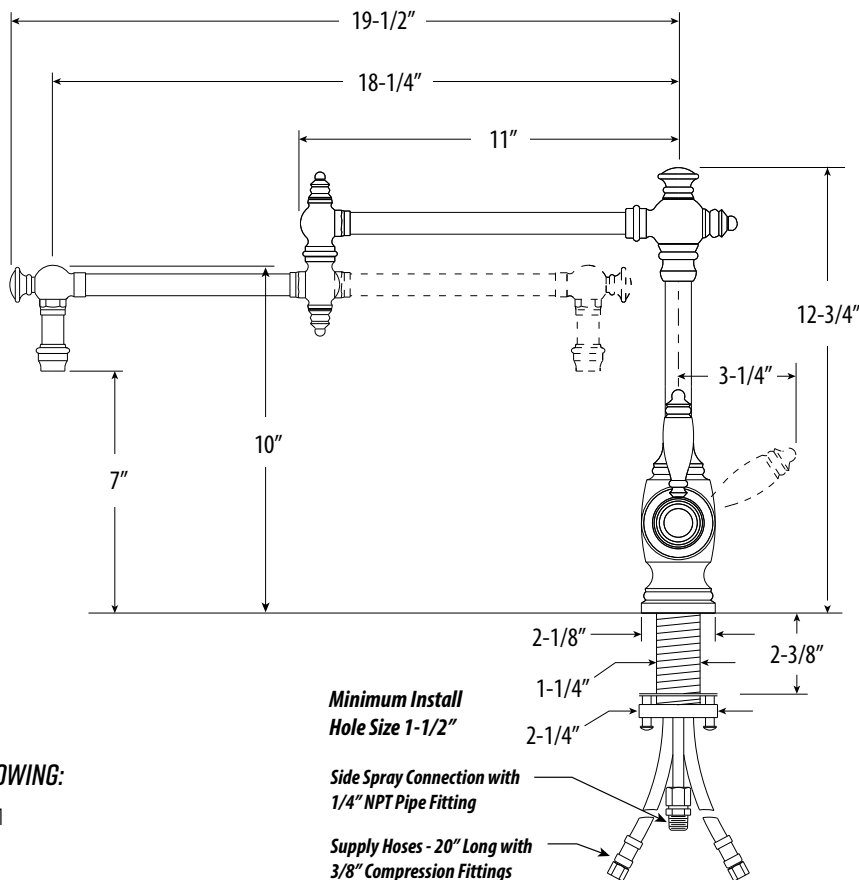
FEATURES:

- Part of the traditional Towson Suite.
- Articulated spout has 18" reach and can swivel 360 degrees.
- Equipped with spray diverter and 1/4" NPT pipe fitting connection for optional side spray.
- 1.75 gpm maximum flow rate with aerated tip.
- Ergonomic single lever handle.
- Hot/cold ceramic disk valve cartridge.
- Made from eco-friendly solid brass.
- Compatible with reverse osmosis water and systems.



MEETS THE FOLLOWING:

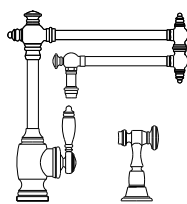
- ASME A112.18.1
- CSA B125.1
- NSF 61, 372
- CALGreen



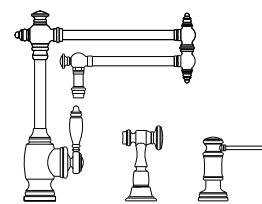
4100-18 SUITES

SUITE LIST PRICES:

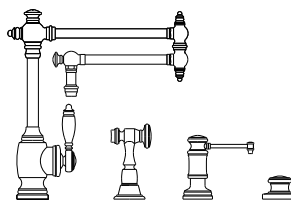
MODEL #	GRP 1	GRP 2	GRP 3	SS
4100-18-1	2908	3054	3981	N/A
4100-18-2	3472	3646	4752	N/A
4100-18-3	3968	4168	5432	N/A
4100-18-4	4284	4499	5863	N/A



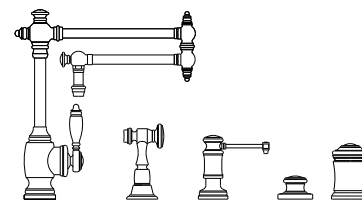
4100-18-1



4100-18-2



4100-18-3



4100-18-4

- 1pc. Suite includes Side Spray (4025)
- 2pc. Suite includes Side Spray (4025) and Soap/Lotion Dispenser (4055)
- 3pc. Suite includes Side Spray (4025), Soap/Lotion Dispenser (4055) and Air Switch (4010)
- 4pc. Suite includes Side Spray (4025), Soap/Lotion Dispenser (4055), Air Switch (4010) and Single Port Air Gap (4020)

FINISH GROUP 1: CH
FINISH GROUP 2: BLN, CHB, CLZ, GR, MB, MW, PB, PN, SB, SC, SN, UPB
FINISH GROUP 3: AB, ABZ, AC, AMB, AP, CB, DAB, DAC, DAMB, DAP, MAB, MAC, MAP, ORB, PC, TB

PRECIOUS METALS: PG, SG - 30% increase from Group 3*
STAINLESS STEEL: SS
SPLIT FINISHES: SEE PAGE 32

*Pricing subject to change

ANNAPOLIS KITCHEN FAUCET / HOOK SPOUT

LIST PRICES:

MODEL #	GRP 1	GRP 2	GRP 3	SS
4200	1863	1956	2550	N/A

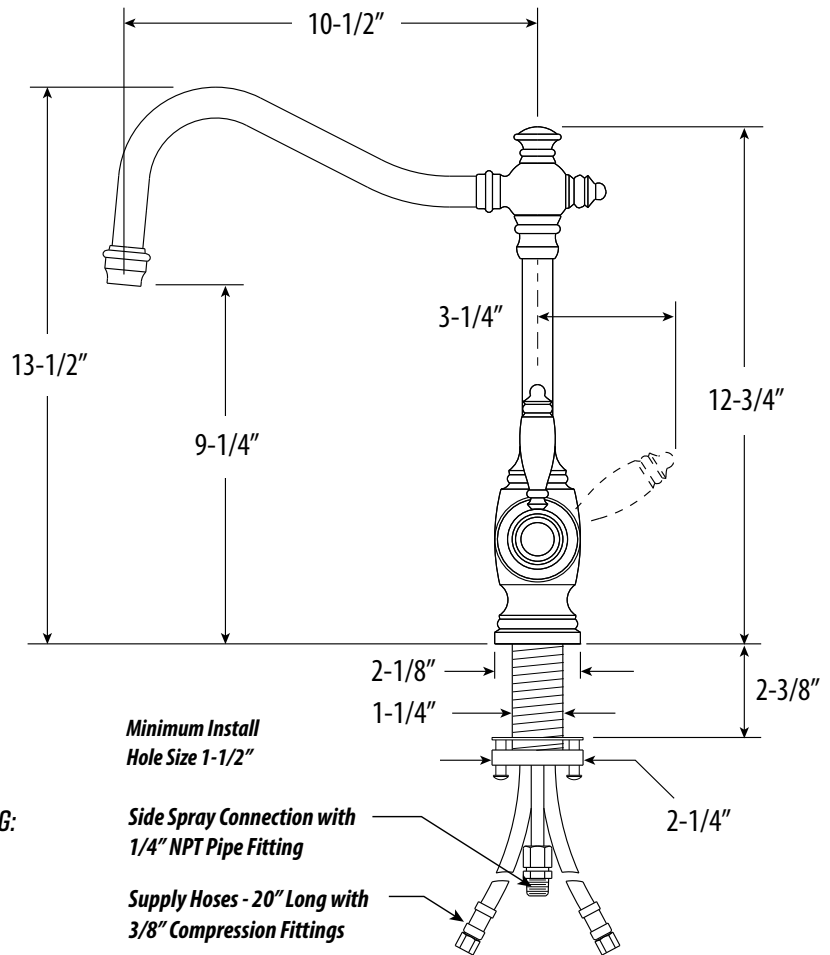
FEATURES:

- Hook spout has 10-1/2" reach and can swivel 360 degrees.
- Equipped with spray diverter and 1/4" NPT pipe fitting connection for optional side spray.
- 1.75 gpm maximum flow rate with aerated tip.
- Ergonomic single lever handle.
- Handle ring can be adjusted to preferred push/pull tension and prevents sag.
- Hot/cold ceramic disk valve cartridge.
- Made from eco-friendly solid brass.
- Compatible with reverse osmosis water and systems.



MEETS THE FOLLOWING:

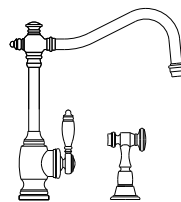
- ASME A112.18.1
- CSA B125.1
- NSF 61, 372
- CALGreen



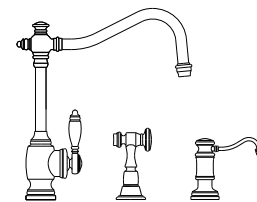
4200 SUITES

SUITE LIST PRICES:

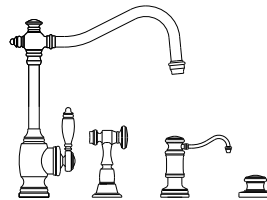
MODEL #	GRP 1	GRP 2	GRP 3	SS
4200-1	2580	2709	3532	N/A
4200-2	3144	3301	4303	N/A
4200-3	3640	3823	4983	N/A
4200-4	3956	4154	5414	N/A



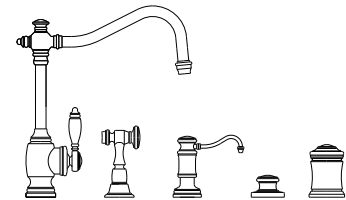
4200-1



4200-2



4200-3



4200-4

1pc. Suite includes Side Spray (4025)

2pc. Suite includes Side Spray (4025) and Soap/Lotion Dispenser (4060)

3pc. Suite includes Side Spray (4025), Soap/Lotion Dispenser (4060) and Air Switch (4010)

4pc. Suite includes Side Spray (4025), Soap/Lotion Dispenser (4060), Air Switch (4010) and Single Port Air Gap (4020)

FINISH GROUP 1: CH

FINISH GROUP 2: BLN, CHB, CLZ, GR, MB, MW, PB, PN, SB, SC, SN, UPB

FINISH GROUP 3: AB, ABZ, AC, AMB, AP, CB, DAB, DAC, DAMB, DAP, MAB, MAC, MAP, ORB, PC, TB

PRECIOUS METALS: PG, SG - 30% increase from Group 3*

STAINLESS STEEL: SS

SPLIT FINISHES: SEE PAGE 32

*Pricing subject to change

HAMPTON KITCHEN FAUCET / C-SPOUT

LIST PRICES:

MODEL #	GRP 1	GRP 2	GRP 3	SS
4300	1832	1923	2506	N/A

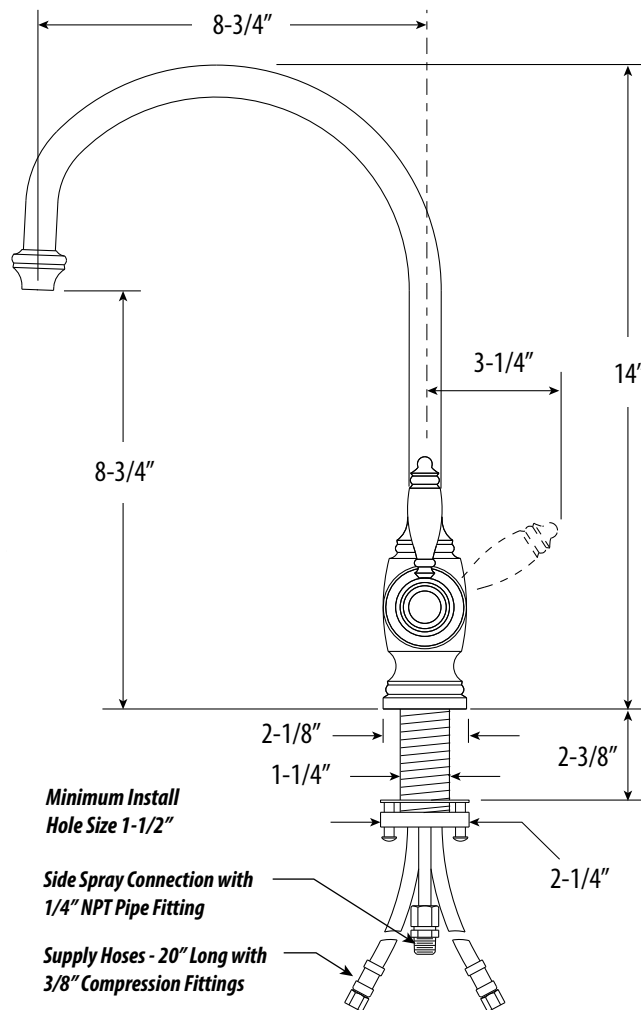
FEATURES:

- Part of the traditional Hampton Suite.
- C-spout has 8-3/4" reach and can swivel 360 degrees.
- Equipped with spray diverter and 1/4" NPT pipe fitting connection for optional side spray.
- 1.75 gpm maximum flow rate with aerated tip.
- Handle ring can be adjusted to preferred push/pull tension and prevents sag.
- Hot/cold ceramic disk valve cartridge.
- Made from eco-friendly solid brass.



MEETS THE FOLLOWING:

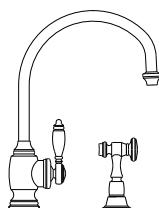
- ASME A112.18.1
- CSA B125.1
- NSF 61, 372
- CALGreen



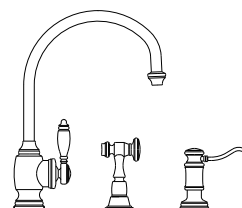
4300 SUITES

SUITE LIST PRICES:

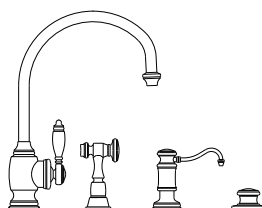
MODEL #	GRP 1	GRP 2	GRP 3	SS
4300-1	2549	2676	3488	N/A
4300-2	3113	3268	4259	N/A
4300-3	3559	3790	4939	N/A
4300-4	3875	4121	5370	N/A



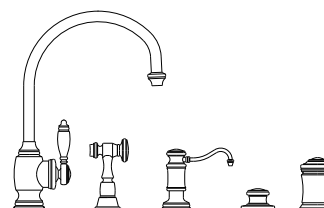
4300-1



4300-2



4300-3



4300-4

- 1pc. Suite includes Side Spray (4025)
- 2pc. Suite includes Side Spray (4025) and Soap/Lotion Dispenser (4060)
- 3pc. Suite includes Side Spray (4025), Soap/Lotion Dispenser (4060) and Air Switch (4010)
- 4pc. Suite includes Side Spray (4025), Soap/Lotion Dispenser (4060), Air Switch (4010) and Single Port Air Gap (4020)

FINISH GROUP 1: CH
FINISH GROUP 2: BLN, CHB, CLZ, GR, MB, MW, PB, PN, SB, SC, SN, UPB
FINISH GROUP 3: AB, ABZ, AC, AMB, AP, CB, DAB, DAC, DAMB, DAP, MAB, MAC, MAP, ORB, PC, TB

PRECIOUS METALS: PG, SG - 30% increase from Group 3*
STAINLESS STEEL: SS
SPLIT FINISHES: SEE PAGE 32

*Pricing subject to change

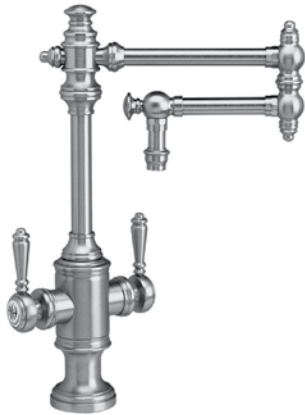
TOWSON TWO HANDLE KITCHEN FAUCET / 12" ARTICULATED SPOUT

LIST PRICES:

MODEL #	GRP 1	GRP 2	GRP 3	SS
8010-12	2410	2529	3296	N/A

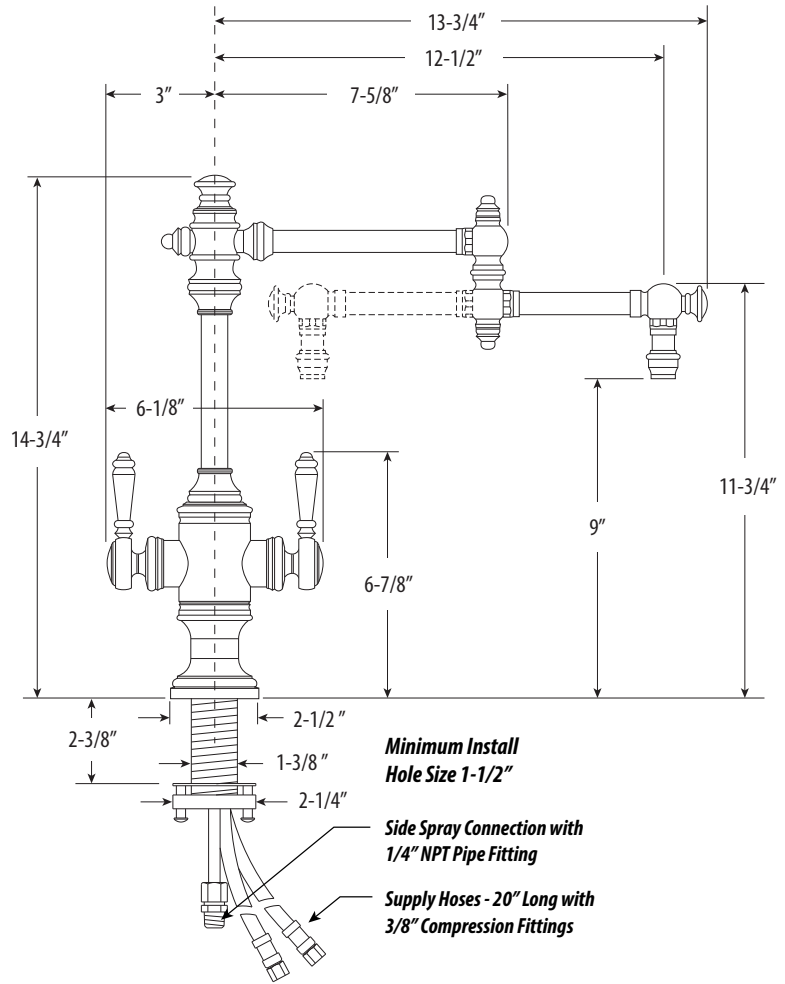
FEATURES:

- Articulated spout has 12" reach and can swivel 360 degrees.
- Hot and cold dual lever control with ceramic disk valve cartridges.
- Adjustable handle brake system provides smooth pull and prevents sagging.
- Equipped with spray diverter and 1/4" NPT pipe fitting connection for optional side spray.
- 1.75 gpm maximum flow rate with aerated tip.
- Compatible with reverse osmosis water and systems.
- Made from eco-friendly solid brass.
- ADA compliant.



MEETS THE FOLLOWING:

- ASME A112.18.1
- CSA B125.1
- NSF 61, 372
- CALGreen
- ADA compliant.



Minimum Install Hole Size 1-1/2"

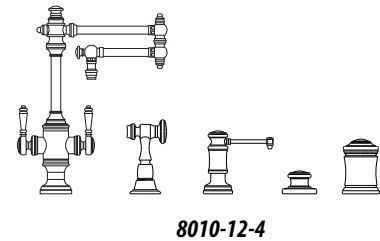
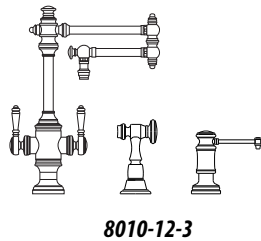
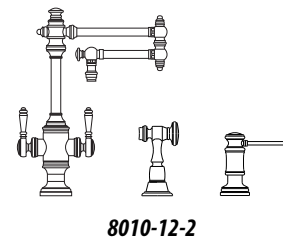
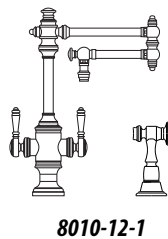
Side Spray Connection with 1/4" NPT Pipe Fitting

Supply Hoses - 20" Long with 3/8" Compression Fittings

8010-12 SUITES

SUITE LIST PRICES:

MODEL #	GRP 1	GRP 2	GRP 3	SS
8010-12-1	3127	3282	4278	N/A
8010-12-2	3691	3874	5049	N/A
8010-12-3	4187	4396	5729	N/A
8010-12-4	4503	4727	6160	N/A



1pc. Suite includes Side Spray (4025)

2pc. Suite includes Side Spray (4025) and Soap/Lotion Dispenser (4055)

3pc. Suite includes Side Spray (4025), Soap/Lotion Dispenser (4055) and Air Switch (4010)

4pc. Suite includes Side Spray (4025), Soap/Lotion Dispenser (4055), Air Switch (4010) and Single Port Air Gap (4020)

FINISH GROUP 1: CH

FINISH GROUP 2: BLN, CHB, CLZ, GR, MB, MW, PB, PN, SB, SC, SN, UPB

FINISH GROUP 3: AB, ABZ, AC, AMB, AP, CB, DAB, DAC, DAMB, DAP, MAB, MAC, MAP, ORB, PC, TB

PRECIOUS METALS: PG, SG - 30% increase from Group 3*

STAINLESS STEEL: SS

SPLIT FINISHES: SEE PAGE 32

*Pricing subject to change

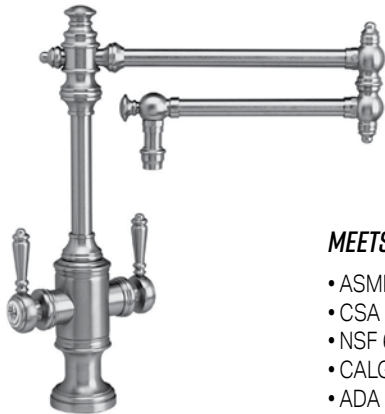
TOWSON TWO HANDLE KITCHEN FAUCET / 18" ARTICULATED SPOUT

LIST PRICES:

MODEL #	GRP 1	GRP 2	GRP 3	SS
8010-18	2561	2689	3505	N/A

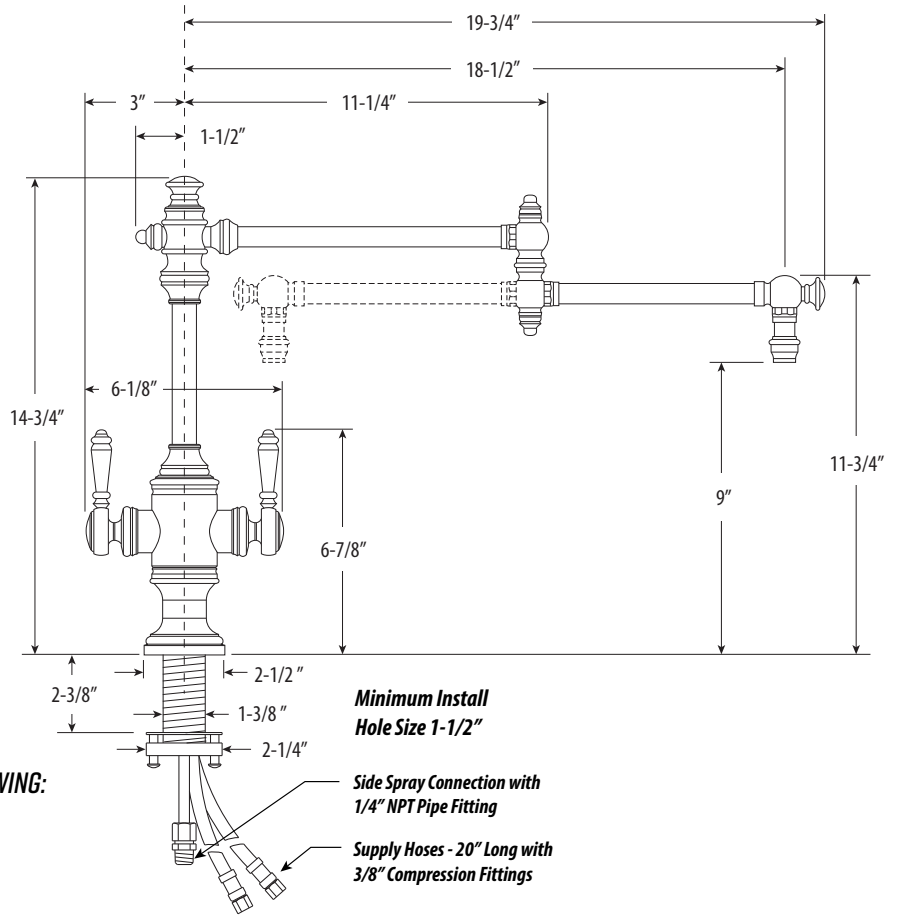
FEATURES:

- Articulated spout has 18" reach and can swivel 360 degrees.
- Hot and cold dual lever control with ceramic disk valve cartridges.
- Equipped with spray diverter and 1/4" NPT pipe fitting connection for optional side spray.
- 1.75 gpm maximum flow rate with aerated tip.
- Compatible with reverse osmosis water and systems.
- Made from eco-friendly solid brass.
- ADA Compliant.



MEETS THE FOLLOWING:

- ASME A112.18.1
- CSA B125.1
- NSF 61, 372
- CALGreen
- ADA compliant

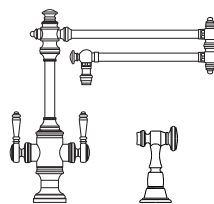


KITCHEN FAUCETS

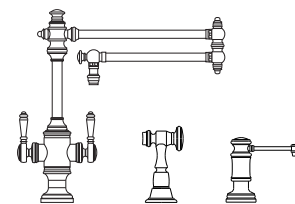
8010-18 SUITES

SUITE LIST PRICES:

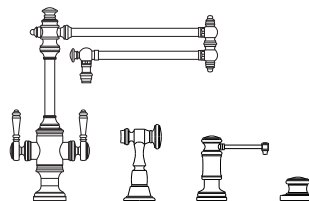
MODEL #	GRP 1	GRP 2	GRP 3	SS
8010-18-1	3278	3442	4487	N/A
8010-18-2	3842	4034	5258	N/A
8010-18-3	4338	4556	5938	N/A
8010-18-4	4654	4887	6369	N/A



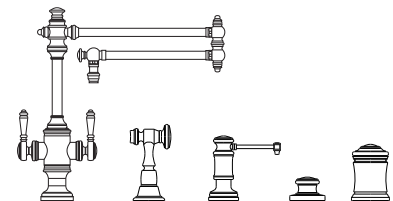
8010-18-1



8010-18-2



8010-18-3



8010-18-4

1pc. Suite includes Side Spray (4025)

2pc. Suite includes Side Spray (4025) and Soap/Lotion Dispenser (4055)

3pc. Suite includes Side Spray (4025), Soap/Lotion Dispenser (4055) and Air Switch (4010)

4pc. Suite includes Side Spray (4025), Soap/Lotion Dispenser (4055), Air Switch (4010) and Single Port Air Gap (4020)

FINISH GROUP 1: CH

FINISH GROUP 2: BLN, CHB, CLZ, GR, MB, MW, PB, PN, SB, SC, SN, UPB

FINISH GROUP 3: AB, ABZ, AC, AMB, AP, CB, DAB, DAC, DAMB, DAP, MAB, MAC, MAP, ORB, PC, TB

PRECIOUS METALS: PG, SG - 30% increase from Group 3*

STAINLESS STEEL: SS

SPLIT FINISHES: SEE PAGE 32

*Pricing subject to change

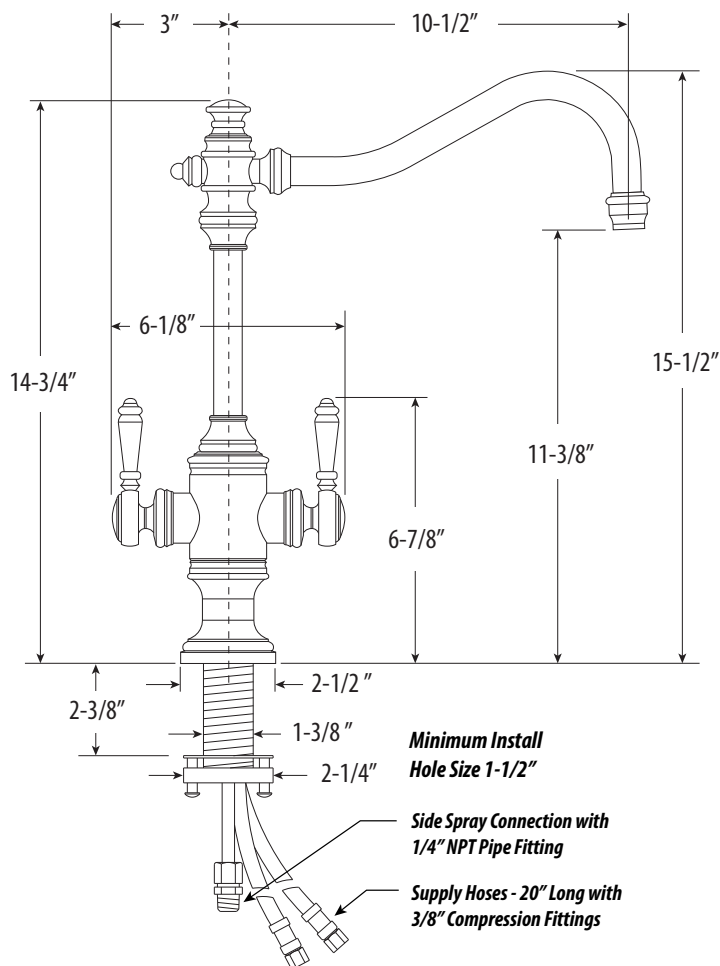
ANNAPOLIS TWO HANDLE KITCHEN FAUCET / HOOK SPOUT

LIST PRICES:

MODEL #	GRP 1	GRP 2	GRP 3	SS
8020	1864	1958	2551	N/A

FEATURES:

- Hook spout has 10-1/2" reach and can swivel 360 degrees.
- Hot and cold dual lever control with ceramic disk valve cartridges.
- Adjustable handle brake system provides smooth pull and prevents sagging.
- Equipped with spray diverter and 1/4" NPT pipe fitting connection for optional side spray.
- 1.75 gpm maximum flow rate with aerated tip.
- Compatible with reverse osmosis water and systems.
- Made from eco-friendly solid brass.
- ADA compliant.



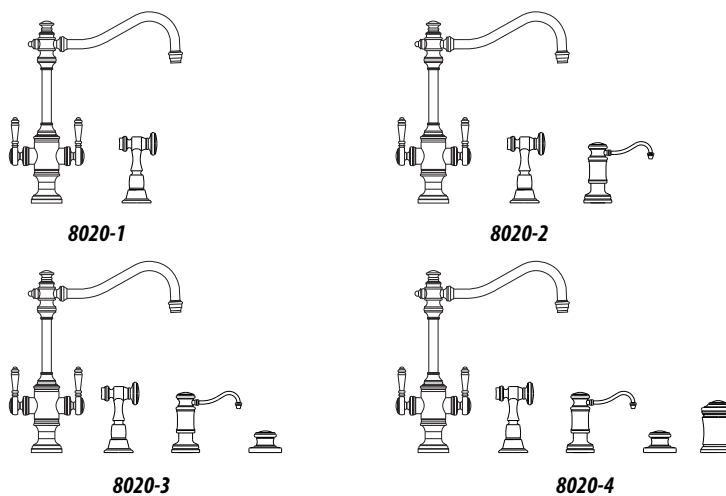
MEETS THE FOLLOWING:

- ASME A112.18.1
- CSA B125.1
- NSF 61, 372
- CALGreen
- ADA compliant.

8020 SUITES

SUITE LIST PRICES:

MODEL #	GRP 1	GRP 2	GRP 3	SS
8020-1	2581	2711	3533	N/A
8020-2	3145	3303	4304	N/A
8020-3	3641	3825	4984	N/A
8020-4	3957	4156	5415	N/A



1pc. Suite includes Side Spray (4025)

2pc. Suite includes Side Spray (4025) and Soap/Lotion Dispenser (4060)

3pc. Suite includes Side Spray (4025), Soap/Lotion Dispenser (4060) and Air Switch (4010)

4pc. Suite includes Side Spray (4025), Soap/Lotion Dispenser (4060), Air Switch (4010) and Single Port Air Gap (4020)

FINISH GROUP 1: CH

FINISH GROUP 2: BLN, CHB, CLZ, GR, MB, MW, PB, PN, SB, SC, SN, UPB

FINISH GROUP 3: AB, ABZ, AC, AMB, AP, CB, DAB, DAC, DAMB, DAP, MAB, MAC, MAP, ORB, PC, TB

PRECIOUS METALS: PG, SG - 30% increase from Group 3*

STAINLESS STEEL: SS

SPLIT FINISHES: SEE PAGE 32

*Pricing subject to change

HAMPTON TWO HANDLE KITCHEN FAUCET / C-SPOUT

LIST PRICES:

MODEL #	GRP 1	GRP 2	GRP 3	SS
8030	1838	1930	2516	N/A

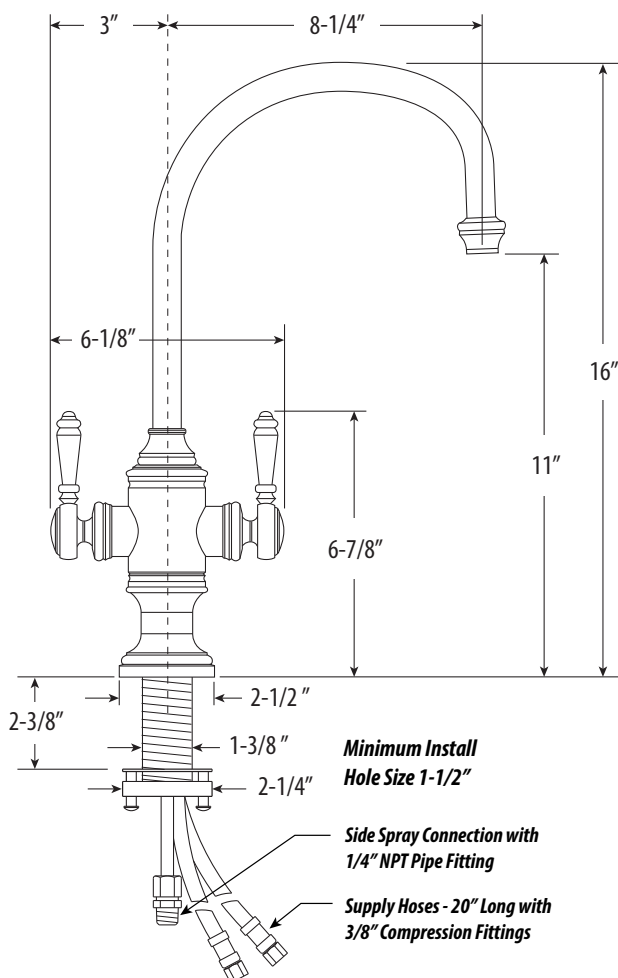
FEATURES:

- C-spout has 8-1/4" reach and can swivel 360 degrees.
- Hot and cold dual lever control with ceramic disk valve cartridges.
- Adjustable handle brake system provides smooth pull and prevents sagging.
- Equipped with spray diverter and 1/4" NPT pipe fitting connection for optional side spray.
- 1.75 gpm maximum flow rate with aerated tip.
- Compatible with reverse osmosis water and systems.
- Made from eco-friendly solid brass.
- ADA compliant.



MEETS THE FOLLOWING:

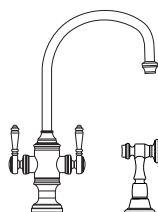
- ASME A112.18.1
- CSA B125.1
- NSF 61, 372
- CALGreen
- ADA compliant



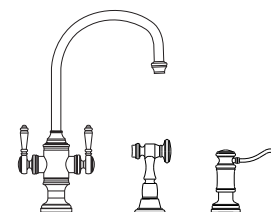
8030 SUITES

SUITE LIST PRICES:

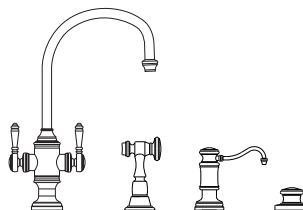
MODEL #	GRP 1	GRP 2	GRP 3	SS
8030-1	2555	2683	3498	N/A
8030-2	3119	3275	4269	N/A
8030-3	3615	3797	4949	N/A
8030-4	3931	4128	5380	N/A



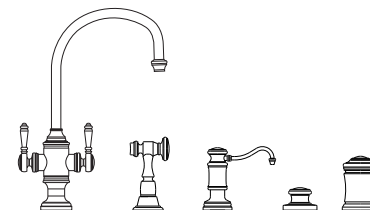
8030-1



8030-2



8030-3



8030-4

1pc. Suite includes Side Spray (4025)

2pc. Suite includes Side Spray (4025) and Soap/Lotion Dispenser (4060)

3pc. Suite includes Side Spray (4025), Soap/Lotion Dispenser (4060) and Air Switch (4010)

4pc. Suite includes Side Spray (4025), Soap/Lotion Dispenser (4060), Air Switch (4010) and Single Port Air Gap (4020)

FINISH GROUP 1: CH

FINISH GROUP 2: BLN, CHB, CLZ, GR, MB, MW, PB, PN, SB, SC, SN, UPB

FINISH GROUP 3: AB, ABZ, AC, AMB, AP, CB, DAB, DAC, DAMB, DAP, MAB, MAC, MAP, ORB, PC, TB

PRECIOUS METALS: PG, SG - 30% increase from Group 3*

STAINLESS STEEL: SS

SPLIT FINISHES: SEE PAGE 32

*Pricing subject to change

HUNLEY KITCHEN FAUCET / 12" ARTICULATED SPOUT

LIST PRICES:

MODEL #	GRP 1	GRP 2	GRP 3	SS
3600-12	2121	2226	2901	2979

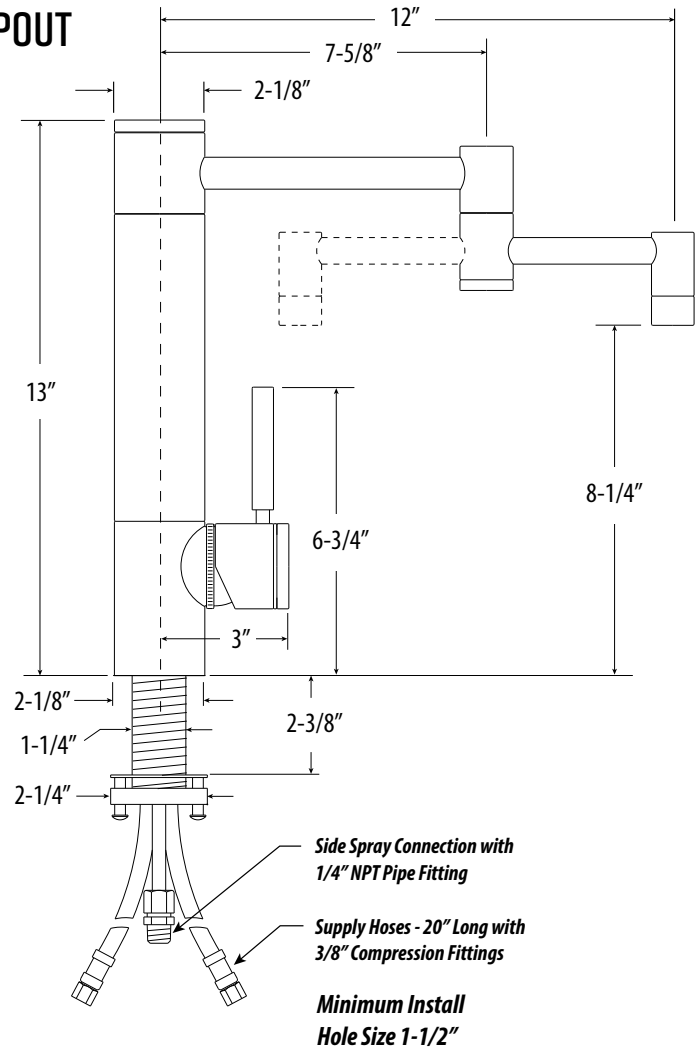
FEATURES:

- Articulated spout has 12" reach and can swivel 360 degrees.
- Equipped with spray diverter and 1/4" NPT pipe fitting connection for optional side spray.
- 1.75 gpm maximum flow rate with aerated tip.
- Ergonomic single lever handle.
- Handle ring can be adjusted to preferred push/pull tension and prevents sag.
- Hot/cold ceramic disk valve cartridge.
- Made from eco-friendly solid brass or 316 stainless steel.
- Compatible with reverse osmosis water and systems.



MEETS THE FOLLOWING:

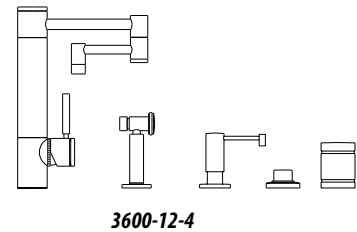
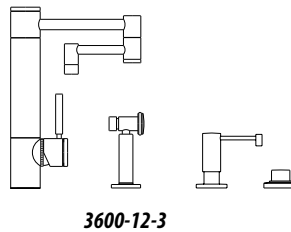
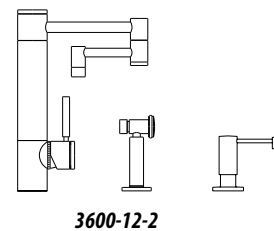
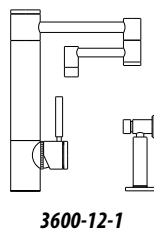
- ASME A112.18.1
- CSA B125.1
- NSF 61, 372
- CALGreen



3600-12 SUITES

SUITE LIST PRICES:

MODEL #	GRP 1	GRP 2	GRP 3	SS
3600-12-1	2838	2979	3883	3987
3600-12-2	3315	3480	4536	4657
3600-12-3	3764	3952	5151	5289
3600-12-4	4049	4251	5540	5689



1pc. Suite includes Side Spray (3025)

2pc. Suite includes Side Spray (3025) and Soap/Lotion Dispenser (4065)

3pc. Suite includes Side Spray (3025), Soap/Lotion Dispenser (4065) and Air Switch (3010)

4pc. Suite includes Side Spray (3025), Soap/Lotion Dispenser (4065), Air Switch (3010) and Single Port Air Gap (3020)

FINISH GROUP 1: CH

FINISH GROUP 2: BLN, CHB, CLZ, GR, MB, MW, PB, PN, SB, SC, SN, UPB

FINISH GROUP 3: AB, ABZ, AC, AMB, AP, CB, DAB, DAC, DAMB, DAP, MAB, MAC, MAP, ORB, PC, TB

PRECIOUS METALS: PG, SG - 30% increase from Group 3*

STAINLESS STEEL: SS

SPLIT FINISHES: SEE PAGE 32

*Pricing subject to change

HUNLEY KITCHEN FAUCET / 18" ARTICULATED SPOUT

LIST PRICES:

MODEL #	GRP 1	GRP 2	GRP 3	SS
3600-18	2249	2360	3077	3160

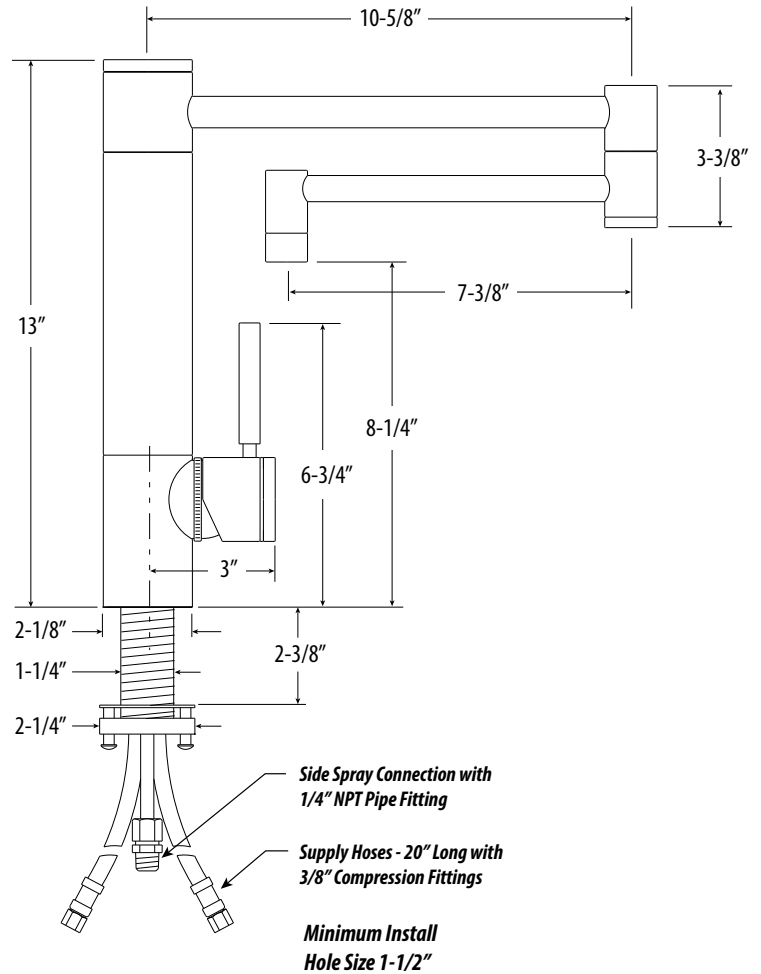
FEATURES:

- Articulated spout has 18" reach and can swivel 360 degrees.
- Equipped with spray diverter and 1/4" NPT pipe fitting connection for optional side spray.
- 1.75 gpm maximum flow rate with aerated tip.
- Ergonomic single lever handle.
- Handle ring can be adjusted to preferred push/pull tension and prevents sag.
- Hot/cold ceramic disk valve cartridge.
- Made from eco-friendly solid brass or 316 stainless steel.
- Compatible with reverse osmosis water and systems.



MEETS THE FOLLOWING:

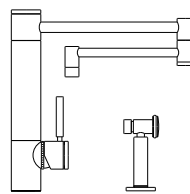
- ASME A112.18.1
- CSA B125.1
- NSF 61, 372
- CALGreen



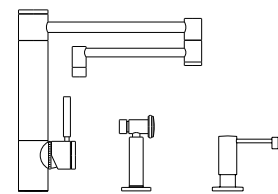
3600-18 SUITES

SUITE LIST PRICES:

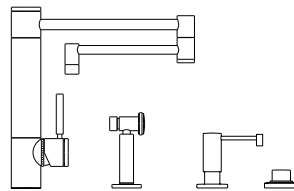
MODEL #	GRP 1	GRP 2	GRP 3	SS
3600-18-1	2966	3113	4059	4168
3600-18-2	3443	3614	4712	4838
3600-18-3	3892	4086	5327	5470
3600-18-4	4177	4385	5716	5870



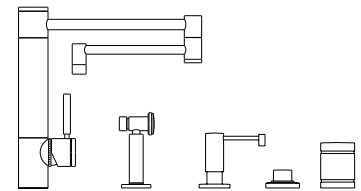
3600-18-1



3600-18-2



3600-18-3



3600-18-4

1pc. Suite includes Side Spray (3025)

2pc. Suite includes Side Spray (3025) and Soap/Lotion Dispenser (4065)

3pc. Suite includes Side Spray (3025), Soap/Lotion Dispenser (4065) and Air Switch (3010)

4pc. Suite includes Side Spray (3025), Soap/Lotion Dispenser (4065), Air Switch (3010) and Single Port Air Gap (3020)

FINISH GROUP 1: CH

FINISH GROUP 2: BLN, CHB, CLZ, GR, MB, MW, PB, PN, SB, SC, SN, UPB

FINISH GROUP 3: AB, ABZ, AC, AMB, AP, CB, DAB, DAC, DAMB, DAP, MAB, MAC, MAP, ORB, PC, TB

PRECIOUS METALS: PG, SG - 30% increase from Group 3*

STAINLESS STEEL: SS

SPLIT FINISHES: SEE PAGE 32

*Pricing subject to change

PARCHE KITCHEN FAUCET / C-SPOUT

LIST PRICES:

MODEL #	GRP 1	GRP 2	GRP 3	SS
3800	1793	1882	2453	2520

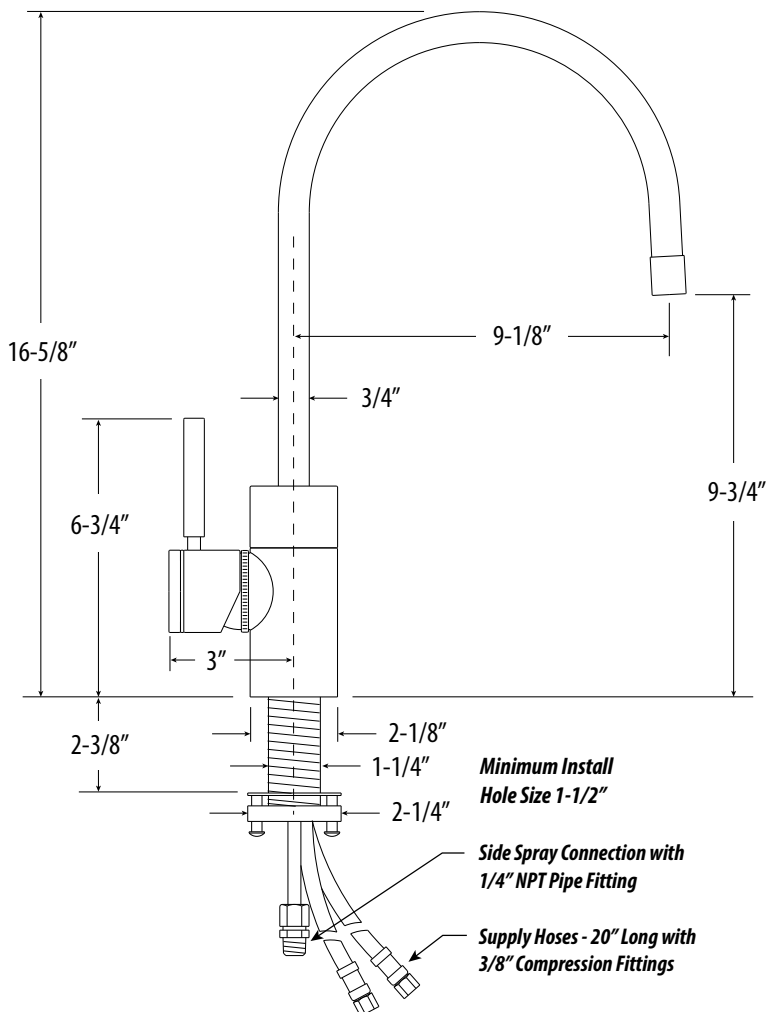
FEATURES:

- C-spout has 9-1/8" reach and can swivel 360 degrees.
- Equipped with spray diverter and 1/4" NPT pipe fitting connection for optional side spray.
- 1.75 gpm maximum flow rate with aerated tip.
- Handle ring can be adjusted to preferred push/pull tension and prevents sag.
- Hot/cold ceramic disk valve cartridge.
- Made from eco-friendly solid brass or 316 stainless steel.
- Compatible with reverse osmosis water and systems.



MEETS THE FOLLOWING:

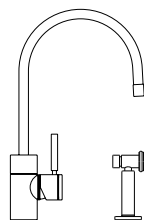
- ASME A112.18.1
- CSA B125.1
- NSF 61, 372
- CALGreen



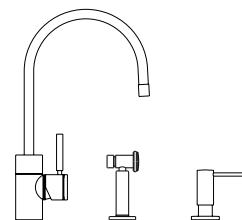
3800 SUITES

SUITE LIST PRICES:

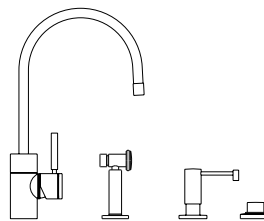
MODEL #	GRP 1	GRP 2	GRP 3	SS
3800-1	2510	2635	3435	3528
3800-2	2987	3136	4088	4198
3800-3	3436	3608	4703	4830
3800-4	3721	3907	5092	5230



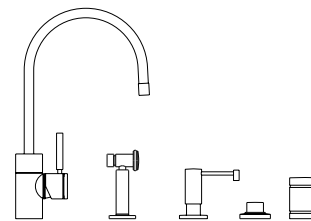
3800-1



3800-2



3800-3



3800-4

1pc. Suite includes Side Spray (3025)

2pc. Suite includes Side Spray (3025) and Soap/Lotion Dispenser (4065)

3pc. Suite includes Side Spray (3025), Soap/Lotion Dispenser (4065) and Air Switch (3010)

4pc. Suite includes Side Spray (3025), Soap/Lotion Dispenser (4065), Air Switch (3010) and Single Port Air Gap (3020)

FINISH GROUP 1: CH

FINISH GROUP 2: BLN, CHB, CLZ, GR, MB, MW, PB, PN, SB, SC, SN, UPB

FINISH GROUP 3: AB, ABZ, AC, AMB, AP, CB, DAB, DAC, DAMB, DAP, MAB, MAC, MAP, ORB, PC, TB

PRECIOUS METALS: PG, SG - 30% increase from Group 3*

STAINLESS STEEL: SS

SPLIT FINISHES: SEE PAGE 32

*Pricing subject to change

FULTON KITCHEN FAUCET / 2 BEND U-SPOUT

LIST PRICES:

MODEL #	GRP 1	GRP 2	GRP 3	SS
3825	1858	1951	2541	2611

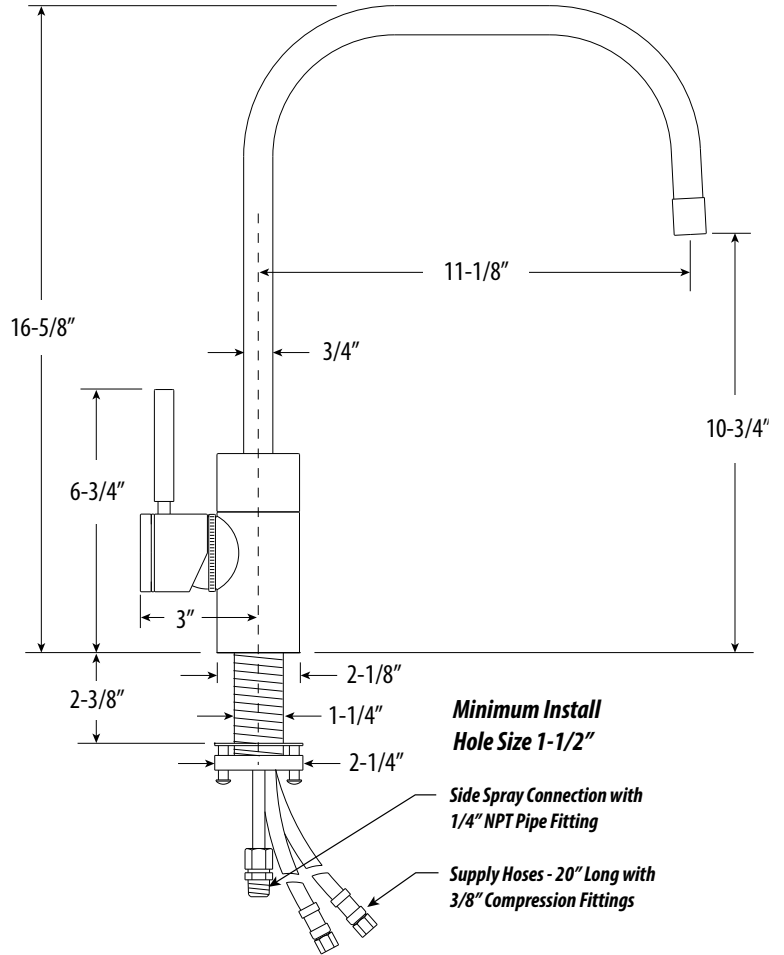
FEATURES:

- 2 bend U-spout has 11-1/8" reach and can swivel 360 degrees.
- Equipped with spray diverter and 1/4" NPT pipe fitting connection for optional side spray.
- 1.75 gpm maximum flow rate with aerated tip.
- Handle ring can be adjusted to preferred push/pull tension and prevents sag.
- Hot/cold ceramic disk valve cartridge.
- Made from eco-friendly solid brass or 316 stainless steel.
- Compatible with reverse osmosis water and systems.



MEETS THE FOLLOWING:

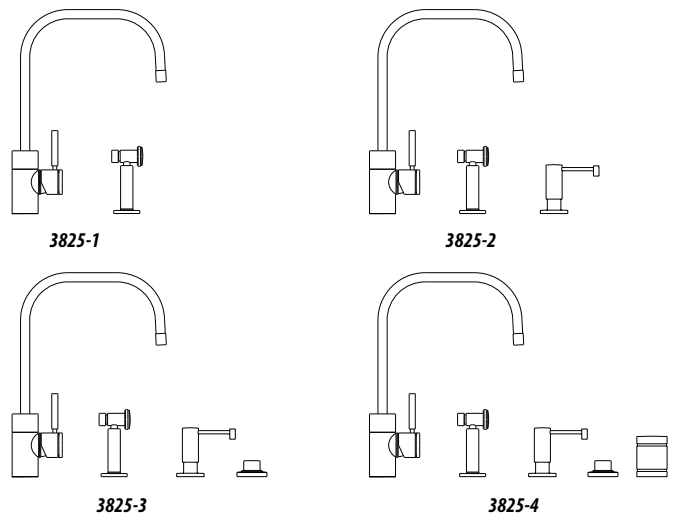
- ASME A112.18.1
- CSA B125.1
- NSF 61, 372
- CALGreen



3825 SUITES

SUITE LIST PRICES:

MODEL #	GRP 1	GRP 2	GRP 3	SS
3825-1	2575	2704	3523	3619
3825-2	3052	3205	4176	4289
3825-3	3501	3677	4791	4921
3825-4	3786	3976	5180	5321



- 1pc. Suite includes Side Spray (3025)
- 2pc. Suite includes Side Spray (3025) and Soap/Lotion Dispenser (4065)
- 3pc. Suite includes Side Spray (3025), Soap/Lotion Dispenser (4065) and Air Switch (3010)
- 4pc. Suite includes Side Spray (3025), Soap/Lotion Dispenser (4065), Air Switch (3010) and Single Port Air Gap (3020)

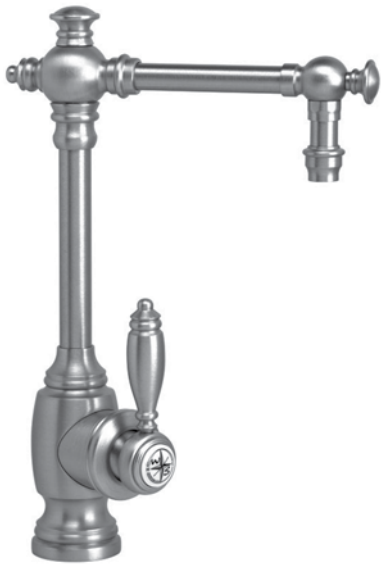
FINISH GROUP 1: CH
FINISH GROUP 2: BLN, CHB, CLZ, GR, MB, MW, PB, PN, SB, SC, SN, UPB
FINISH GROUP 3: AB, ABZ, AC, AMB, AP, CB, DAB, DAC, DAMB, DAP, MAB, MAC, MAP, ORB, PC, TB

PRECIOUS METALS: PG, SG - 30% increase from Group 3*
STAINLESS STEEL: SS
SPLIT FINISHES: SEE PAGE 32

*Pricing subject to change

PREP FAUCETS

TRADITIONAL PREP FAUCETS



*Towson Prep Faucet - 4700
(pg. 166)*



*Annapolis Prep Faucet - 4800
(pg. 167)*



*Hampton Faucet - 4900
(pg. 168)*

CONTEMPORARY PREP FAUCETS



*Hunley Prep Faucet - 3500
(pg. 169)*



*Parche Prep Faucet - 3900
(pg. 170)*



*Fulton Prep Faucet - 3925
(pg. 171)*

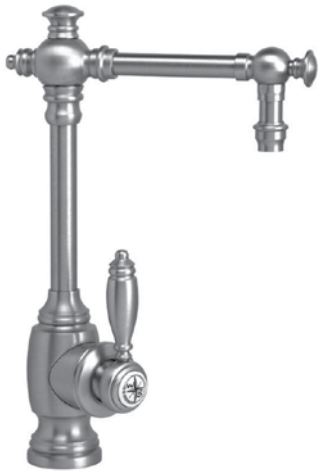
TOWSON PREP FAUCET / STRAIGHT SPOUT

LIST PRICES:

MODEL #	GRP 1	GRP 2	GRP 3	SS
4700	1825	1916	2497	N/A

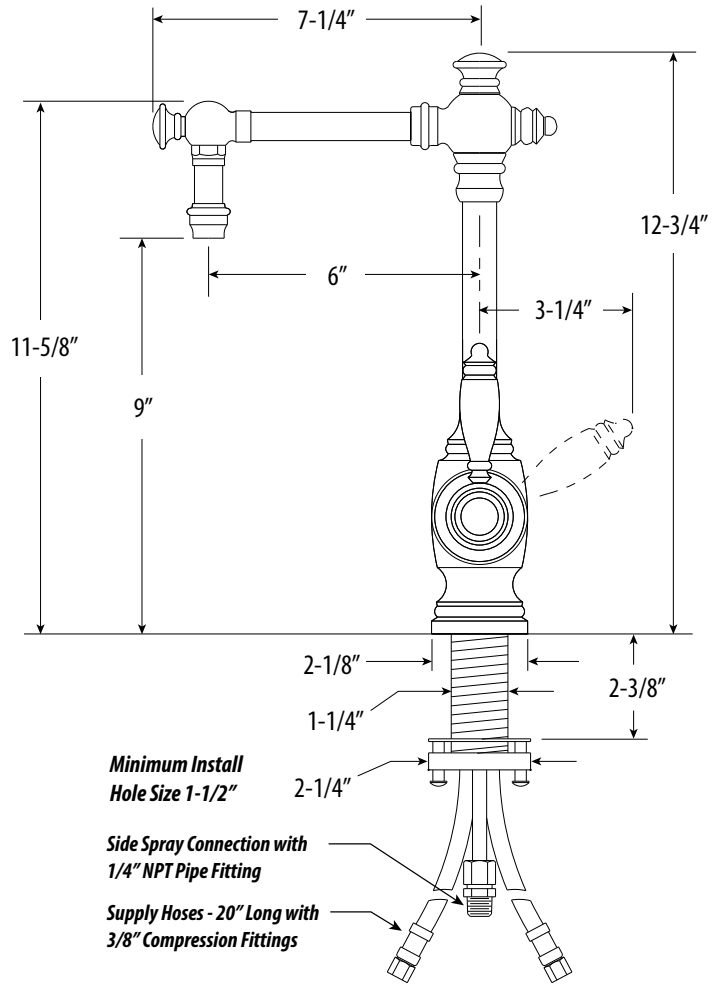
FEATURES:

- Full size Kitchen Faucet with smaller reach.
- Perfect for smaller island sinks.
- Straight spout has 6" reach and can swivel 360 degrees.
- Equipped with spray diverter and 1/4" NPT pipe fitting connection for optional side spray.
- 1.75 gpm maximum flow rate with aerated tip.
- Hot/cold ceramic disk valve cartridge.
- Made from eco-friendly solid brass.
- Compatible with reverse osmosis water and systems.



MEETS THE FOLLOWING:

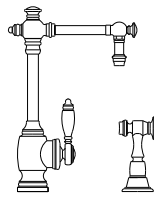
- ASME A112.18.1
- CSA B125.1
- NSF 61, 372
- CALGreen



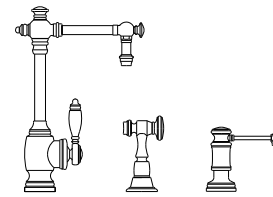
4700 SUITES

SUITE LIST PRICES:

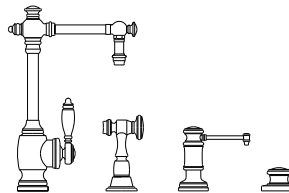
MODEL #	GRP 1	GRP 2	GRP 3	SS
4700-1	2542	2669	3479	N/A
4700-2	3106	3261	4250	N/A
4700-3	3602	3783	4930	N/A
4700-4	3918	4114	5361	N/A



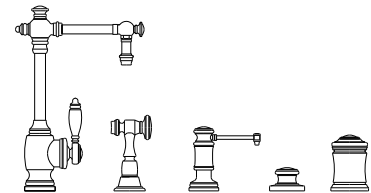
4700-1



4700-2



4700-3



4700-4

1pc. Suite includes Side Spray (4025)

2pc. Suite includes Side Spray (4025) and Soap/Lotion Dispenser (4055)

3pc. Suite includes Side Spray (4025), Soap/Lotion Dispenser (4055) and Air Switch (4010)

4pc. Suite includes Side Spray (4025), Soap/Lotion Dispenser (4055), Air Switch (4010) and Single Port Air Gap (4020)

FINISH GROUP 1: CH

FINISH GROUP 2: BLN, CHB, CLZ, GR, MB, MW, PB, PN, SB, SC, SN, UPB

FINISH GROUP 3: AB, ABZ, AC, AMB, AP, CB, DAB, DAC, DAMB, DAP, MAB, MAC, MAP, ORB, PC, TB

PRECIOUS METALS: PG, SG - 30% increase from Group 3*

STAINLESS STEEL: SS

SPLIT FINISHES: SEE PAGE 32

*Pricing subject to change

ANNAPOLIS PREP FAUCET / HOOK SPOUT

LIST PRICES:

MODEL #	GRP 1	GRP 2	GRP 3	SS
4800	1793	1882	2453	N/A

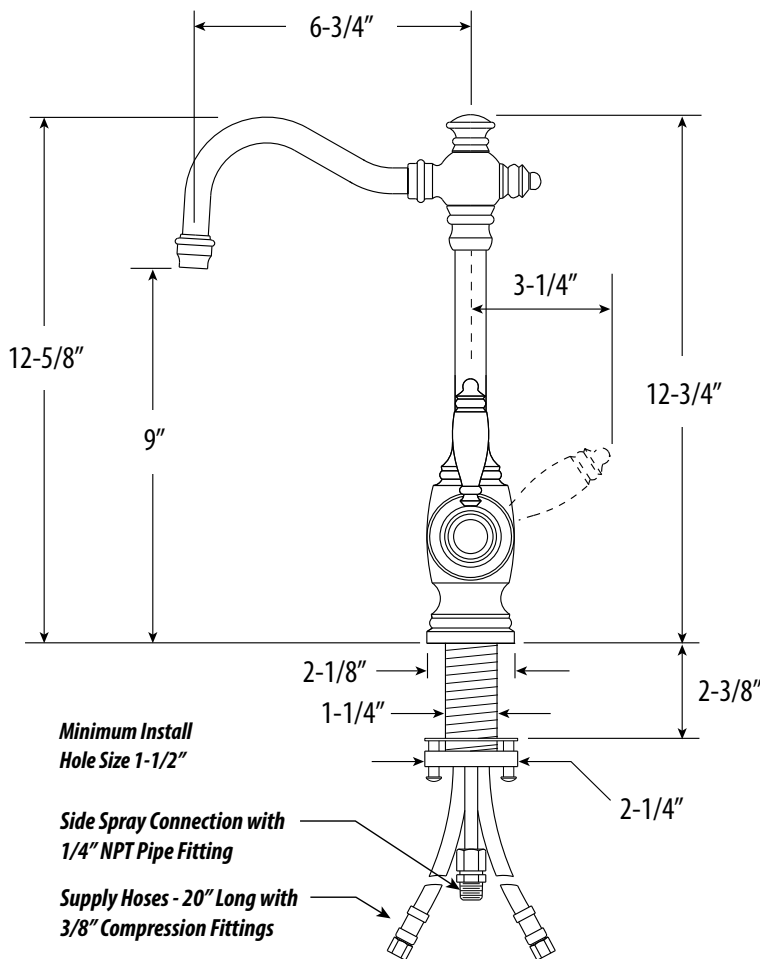
FEATURES:

- Full size Kitchen Faucet with smaller reach.
- Perfect for smaller island sinks.
- Hook spout has 6-3/4" reach and can swivel 360 degrees.
- Equipped with spray diverter and 1/4" NPT pipe fitting connection for optional side spray.
- 1.75 gpm maximum flow rate with aerated tip.
- Hot/cold ceramic disk valve cartridge.
- Made from eco-friendly solid brass.
- Compatible with reverse osmosis water and systems.



MEETS THE FOLLOWING:

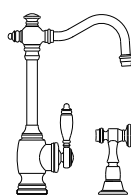
- ASME A112.18.1
- CSA B125.1
- NSF 61, 372
- CALGreen



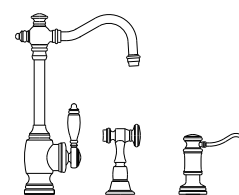
4800 SUITES

SUITE LIST PRICES:

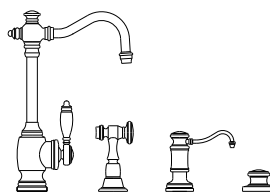
MODEL #	GRP 1	GRP 2	GRP 3	SS
4800-1	2510	2635	3435	N/A
4800-2	3074	3227	4206	N/A
4800-3	3570	3749	4886	N/A
4800-4	3886	4080	5317	N/A



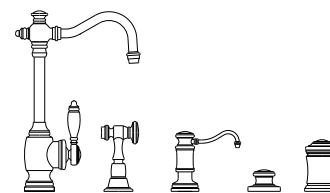
4800-1



4800-2



4800-3



4800-4

- 1pc. Suite includes Side Spray (4025)
- 2pc. Suite includes Side Spray (4025) and Soap/Lotion Dispenser (4060)
- 3pc. Suite includes Side Spray (4025), Soap/Lotion Dispenser (4060) and Air Switch (4010)
- 4pc. Suite includes Side Spray (4025), Soap/Lotion Dispenser (4060), Air Switch (4010) and Single Port Air Gap (4020)

FINISH GROUP 1: CH
FINISH GROUP 2: BLN, CHB, CLZ, GR, MB, MW, PB, PN, SB, SC, SN, UPB
FINISH GROUP 3: AB, ABZ, AC, AMB, AP, CB, DAB, DAC, DAMB, DAP, MAB, MAC, MAP, ORB, PC, TB

PRECIOUS METALS: PG, SG - 30% increase from Group 3*
STAINLESS STEEL: SS
SPLIT FINISHES: SEE PAGE 32

*Pricing subject to change

HAMPTON PREP FAUCET / C-SPOUT

LIST PRICES:

MODEL #	GRP 1	GRP 2	GRP 3	SS
4900	1729	1816	2366	N/A

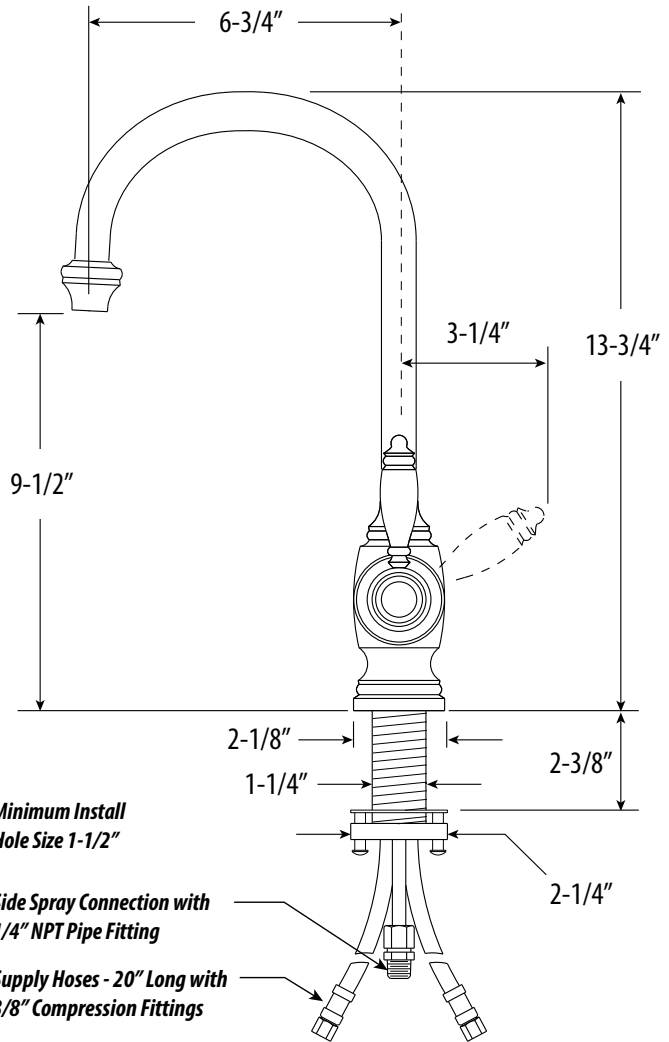
FEATURES:

- Full size Kitchen Faucet with smaller reach.
- Perfect for smaller island sinks.
- C-spout has 6-3/4" reach and can swivel 360 degrees.
- Equipped with spray diverter and 1/4" NPT pipe fitting connection for optional side spray.
- 1.75 gpm maximum flow rate with aerated tip.
- Hot/cold ceramic disk valve cartridge.
- Made from eco-friendly solid brass.
- Compatible with reverse osmosis water and systems.



MEETS THE FOLLOWING:

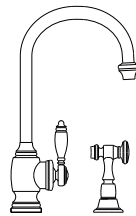
- ASME A112.18.1
- CSA B125.1
- NSF 61, 372
- CALGreen



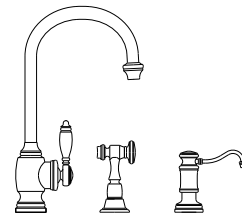
4900 SUITES

SUITE LIST PRICES:

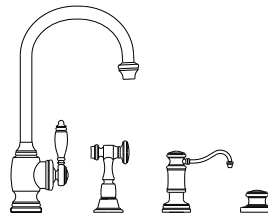
MODEL #	GRP 1	GRP 2	GRP 3	SS
4900-1	2446	2569	3348	N/A
4900-2	3010	3161	4119	N/A
4900-3	3506	3683	4799	N/A
4900-4	3822	4014	5230	N/A



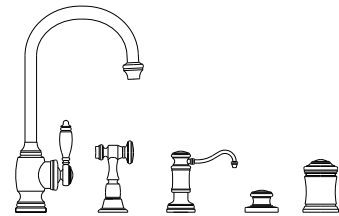
4900-1



4900-2



4900-3



4900-4

1pc. Suite includes Side Spray (4025)

2pc. Suite includes Side Spray (4025) and Soap/Lotion Dispenser (4060)

3pc. Suite includes Side Spray (4025), Soap/Lotion Dispenser (4060) and Air Switch (4010)

4pc. Suite includes Side Spray (4025), Soap/Lotion Dispenser (4060), Air Switch (4010) and Single Port Air Gap (4020)

FINISH GROUP 1: CH

FINISH GROUP 2: BLN, CHB, CLZ, GR, MB, MW, PB, PN, SB, SC, SN, UPB

FINISH GROUP 3: AB, ABZ, AC, AMB, AP, CB, DAB, DAC, DAMB, DAP, MAB, MAC, MAP, ORB, PC, TB

PRECIOUS METALS: PG, SG - 30% increase from Group 3*

STAINLESS STEEL: SS

SPLIT FINISHES: SEE PAGE 32

*Pricing subject to change

HUNLEY PREP FAUCET / STRAIGHT SPOUT

LIST PRICES:

MODEL #	GRP 1	GRP 2	GRP 3	SS
3500	1788	1877	2445	2512

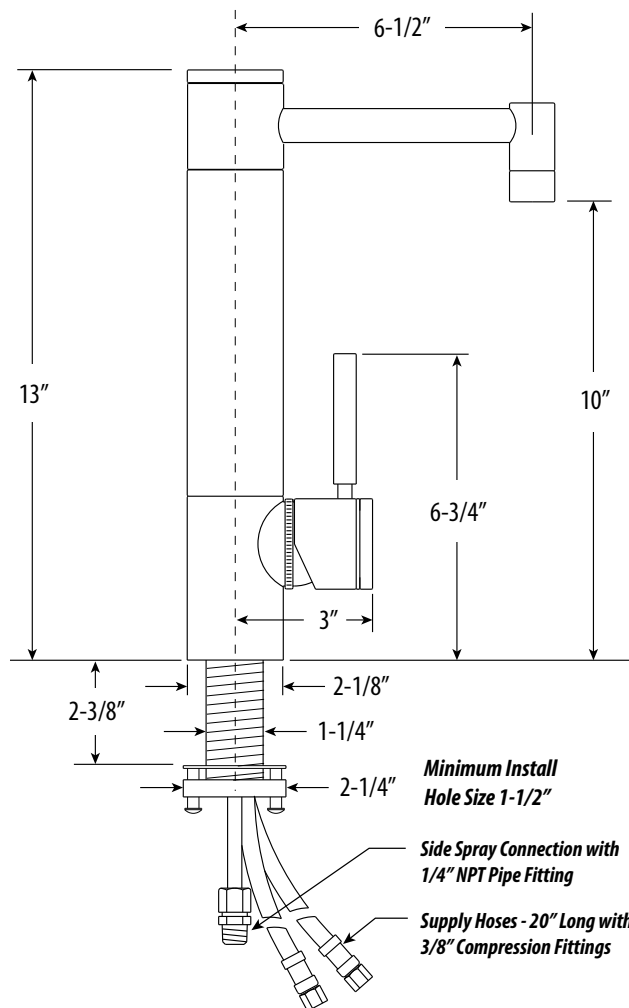
FEATURES:

- Full size Kitchen Faucet with smaller reach.
- Perfect for smaller island sinks.
- Part of the contemporary Hunley Suite.
- Straight spout has 6-1/2" reach and can swivel 360 degrees.
- Equipped with spray diverter and 1/4" NPT pipe fitting connection for optional side spray.
- 1.75 gpm maximum flow rate with aerated tip.
- Hot/cold ceramic disk valve cartridge.
- Made from eco-friendly solid brass or 316 stainless steel.
- Compatible with reverse osmosis water and systems.



MEETS THE FOLLOWING:

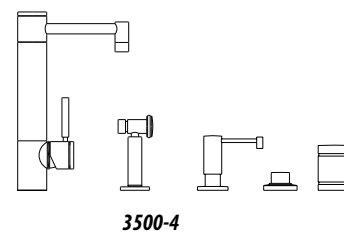
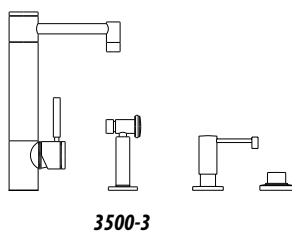
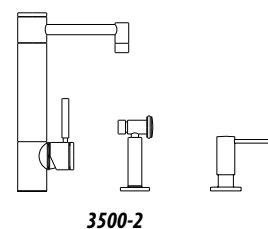
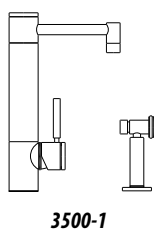
- ASME A112.18.1
- CSA B125.1
- NSF 61, 372
- CALGreen



3500 SUITES

SUITE LIST PRICES:

MODEL #	GRP 1	GRP 2	GRP 3	SS
3500-1	2505	2630	3427	3519
3500-2	2982	3131	4080	4189
3500-3	3431	3602	4695	4821
3500-4	3716	3900	5084	5220



1pc. Suite includes Side Spray (3025)

2pc. Suite includes Side Spray (3025) and Soap/Lotion Dispenser (4065)

3pc. Suite includes Side Spray (3025), Soap/Lotion Dispenser (4065) and Air Switch (3010)

4pc. Suite includes Side Spray (3025), Soap/Lotion Dispenser (4065), Air Switch (3010) and Single Port Air Gap (3020)

FINISH GROUP 1: CH

FINISH GROUP 2: BLN, CHB, CLZ, GR, MB, MW, PB, PN, SB, SC, SN, UPB

FINISH GROUP 3: AB, ABZ, AC, AMB, AP, CB, DAB, DAC, DAMB, DAP, MAB, MAC, MAP, ORB, PC, TB

PRECIOUS METALS: PG, SG - 30% increase from Group 3*

STAINLESS STEEL: SS

SPLIT FINISHES: SEE PAGE 32

*Pricing subject to change

PARCHE PREP FAUCET / C-SPOUT

LIST PRICES:

MODEL #	GRP 1	GRP 2	GRP 3	SS
3900	1665	1748	2278	2340

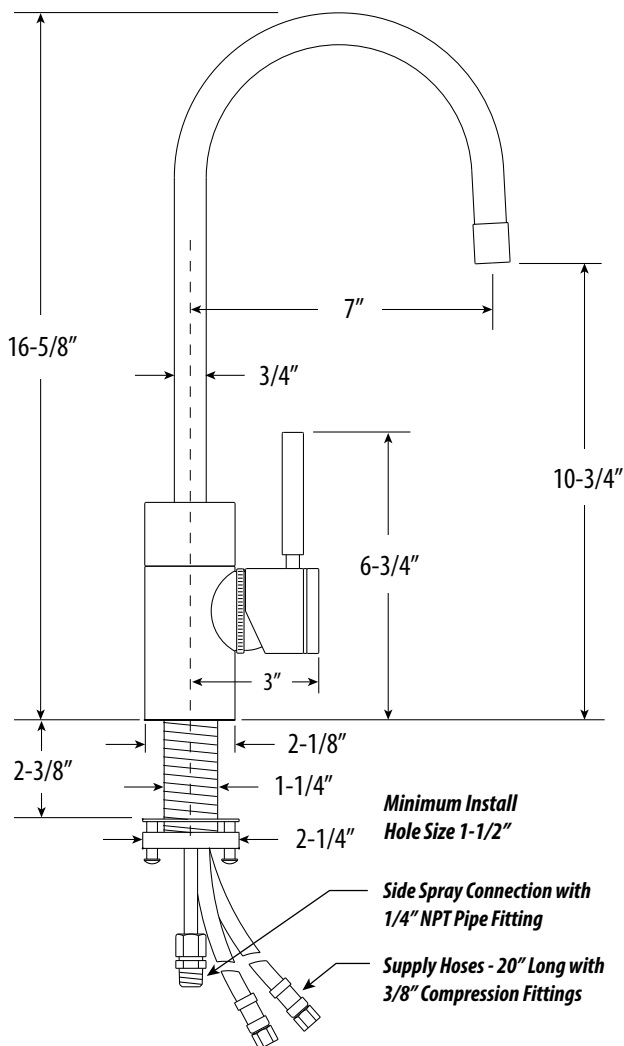
FEATURES:

- Full size Kitchen Faucet with smaller reach.
- Perfect for smaller island sinks
- Part of the contemporary Parche Suite.
- C-spout has 7" reach and can swivel 360 degrees.
- Equipped with spray diverter and 1/4" NPT pipe fitting connection for optional side spray.
- 1.75 gpm maximum flow rate with aerated tip.
- Hot/cold ceramic disk valve cartridge.
- Made from eco-friendly solid brass or 316 stainless steel.
- Compatible with reverse osmosis water and systems.



MEETS THE FOLLOWING:

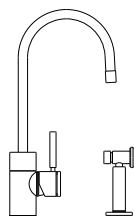
- ASME A112.18.1
- CSA B125.1
- NSF 61, 372
- CALGreen



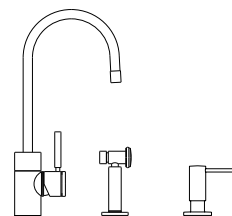
3900 SUITES

SUITE LIST PRICES:

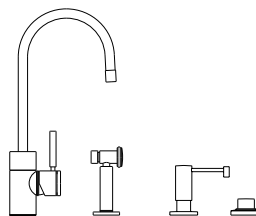
MODEL #	GRP 1	GRP 2	GRP 3	SS
3900-1	2382	2501	3260	3348
3900-2	2859	3002	3913	4018
3900-3	3308	3474	4528	4650
3900-4	3593	3773	4917	5050



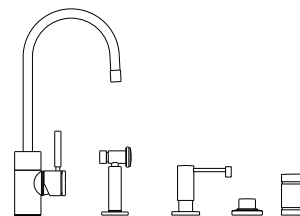
3900-1



3900-2



3900-3



3900-4

1pc. Suite includes Side Spray (3025)

2pc. Suite includes Side Spray (3025) and Soap/Lotion Dispenser (4065)

3pc. Suite includes Side Spray (3025), Soap/Lotion Dispenser (4065) and Air Switch (3010)

4pc. Suite includes Side Spray (3025), Soap/Lotion Dispenser (4065), Air Switch (3010) and Single Port Air Gap (3020)

FINISH GROUP 1: CH

FINISH GROUP 2: BLN, CHB, CLZ, GR, MB, MW, PB, PN, SB, SC, SN, UPB

FINISH GROUP 3: AB, ABZ, AC, AMB, AP, CB, DAB, DAC, DAMB, DAP, MAB, MAC, MAP, ORB, PC, TB

PRECIOUS METALS: PG, SG - 30% increase from Group 3*

STAINLESS STEEL: SS

SPLIT FINISHES: SEE PAGE 32

*Pricing subject to change

FULTON PREP FAUCET / 2 BEND U-SPOUT

LIST PRICES:

MODEL #	GRP 1	GRP 2	GRP 3	SS
3925	1729	1816	2366	2430

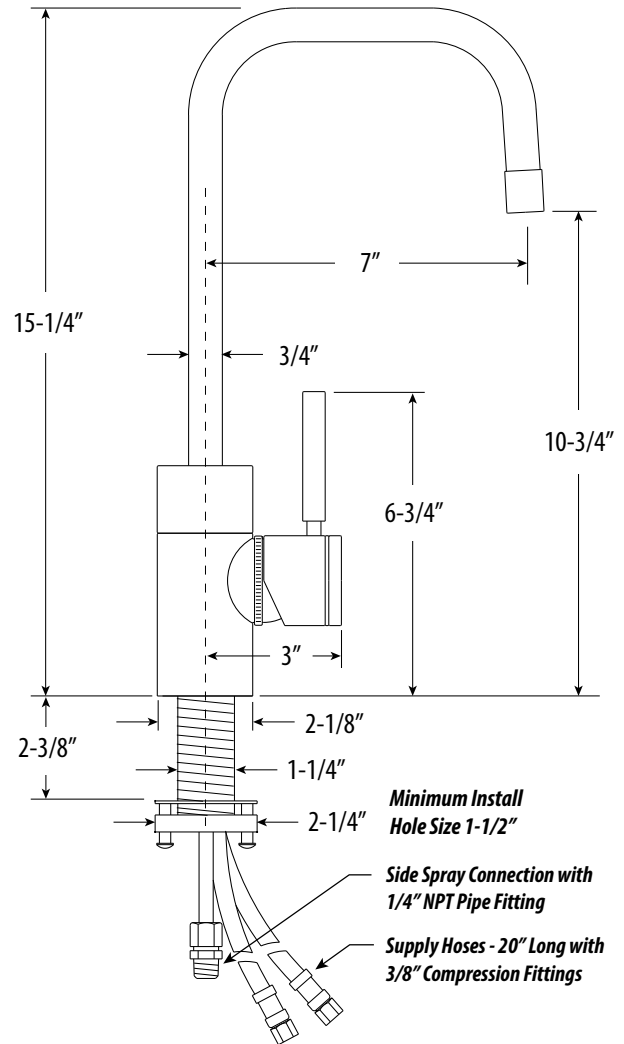
FEATURES:

- Full size Kitchen Faucet with smaller reach.
- Perfect for smaller island sinks
- Part of the contemporary Fulton Suite.
- 2 bend U-spout has 7" reach and can swivel 360 degrees.
- Equipped with spray diverter and 1/4" NPT pipe fitting connection for optional side spray.
- 1.75 gpm maximum flow rate with aerated tip.
- Hot/cold ceramic disk valve cartridge.
- Made from eco-friendly solid brass or 316 stainless steel.
- Compatible with reverse osmosis water and systems.



MEETS THE FOLLOWING:

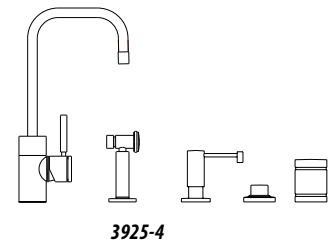
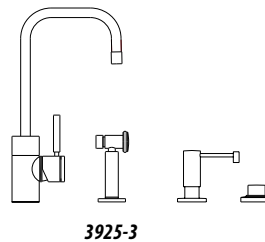
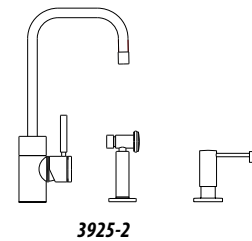
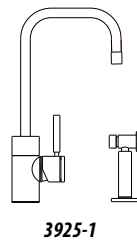
- ASME A112.18.1
- CSA B125.1
- NSF 61, 372
- CALGreen



3925 SUITES

SUITE LIST PRICES:

MODEL #	GRP 1	GRP 2	GRP 3	SS
3925-1	2446	2569	3348	3438
3925-2	2923	3070	4001	4108
3925-3	3372	3542	4616	4740
3925-4	3657	3841	5005	5140



- 1pc. Suite includes Side Spray (3025)
- 2pc. Suite includes Side Spray (3025) and Soap/Lotion Dispenser (4065)
- 3pc. Suite includes Side Spray (3025), Soap/Lotion Dispenser (4065) and Air Switch (3010)
- 4pc. Suite includes Side Spray (3025), Soap/Lotion Dispenser (4065), Air Switch (3010) and Single Port Air Gap (3020)

FINISH GROUP 1: CH
FINISH GROUP 2: BLN, CHB, CLZ, GR, MB, MW, PB, PN, SB, SC, SN, UPB
FINISH GROUP 3: AB, ABZ, AC, AMB, AP, CB, DAB, DAC, DAMB, DAP, MAB, MAC, MAP, ORB, PC, TB

PRECIOUS METALS: PG, SG - 30% increase from Group 3*
STAINLESS STEEL: SS
SPLIT FINISHES: SEE PAGE 32

*Pricing subject to change

BAR FAUCETS



Annapolis Bar Faucet - 1300
(pg. 173)



Annapolis Bar Faucet - 1350
(pg. 173)



Hampton Bar Faucet - 1500
(pg. 173)



Hampton Bar Faucet - 1550
(pg. 174)



Pembroke Bar Faucet - 1502
(pg. 174)



Pembroke Bar Faucet - 1552
(pg. 174)



Towson Bar Faucet - 1800
(pg. 175)



Towson Bar Faucet - 1850
(pg. 175)



Hunley Bar Faucet - 2500
(pg. 176)



Parche Bar Faucet - 1600
(pg. 176)



Fulton Bar Faucet - 1625
(pg. 176)



Industrial Bar Faucet - 1650
(pg. 177)



Industrial Bar Faucet - 1655
(pg. 177)

ANNAPOLIS BAR FAUCET / LEVER HANDLES

LIST PRICES:

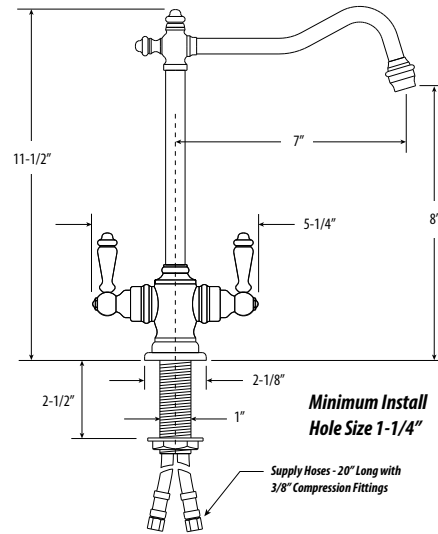
GRP 1	1102
GRP 2	1158
GRP 3	1509
SS	N/A

MEETS THE FOLLOWING:

- ASME A112.18.1
- CSA B125.1
- NSF 61, 372
- CALGreen
- ADA Compliant

FEATURES:

- Hook spout has 7" reach and can swivel 360 degrees.
- 1.7 gpm maximum flow rate with aerated tip.
- 1/4 turn ceramic disk valve cartridges.
- Compatible with reverse osmosis water and systems.
- Made from eco-friendly solid brass.
- Removable aerator tip for easy cleaning.
- 3/8" compression connections.



1300

ANNAPOLIS BAR FAUCET / CROSS HANDLES

LIST PRICES:

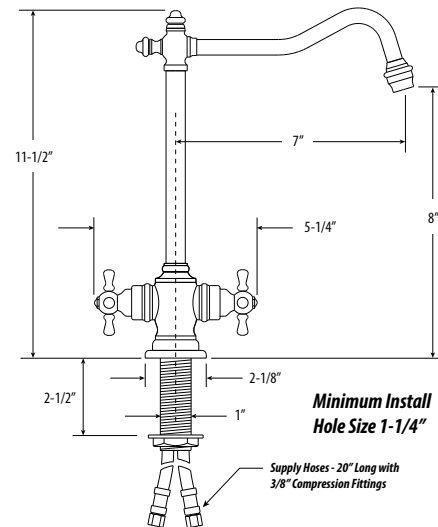
GRP 1	1136
GRP 2	1193
GRP 3	1553
SS	N/A

MEETS THE FOLLOWING:

- ASME A112.18.1
- CSA B125.1
- NSF 61, 372
- CALGreen

FEATURES:

- Hook spout has 7" reach and can swivel 360 degrees.
- 1.7 gpm maximum flow rate with aerated tip.
- 1/4 turn ceramic disk valve cartridges.
- Compatible with reverse osmosis water and systems.
- Made from eco-friendly solid brass.
- Removable aerator tip for easy cleaning.
- 3/8" compression connections.



1350

HAMPTON BAR FAUCET / LEVER HANDLES

LIST PRICES:

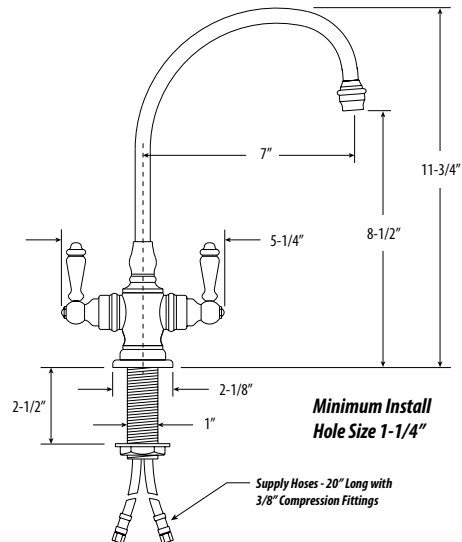
GRP 1	983
GRP 2	1034
GRP 3	1346
SS	N/A

MEETS THE FOLLOWING:

- ASME A112.18.1
- CSA B125.1
- NSF 61, 372
- CALGreen
- ADA Compliant

FEATURES:

- C-spout has 7" reach and can swivel 360 degrees.
- 1.7 gpm maximum flow rate with aerated tip.
- 1/4 turn ceramic disk valve cartridges.
- Compatible with reverse osmosis water and systems.
- Made from eco-friendly solid brass.
- Removable aerator tip for easy cleaning.
- 3/8" compression connections.



1500

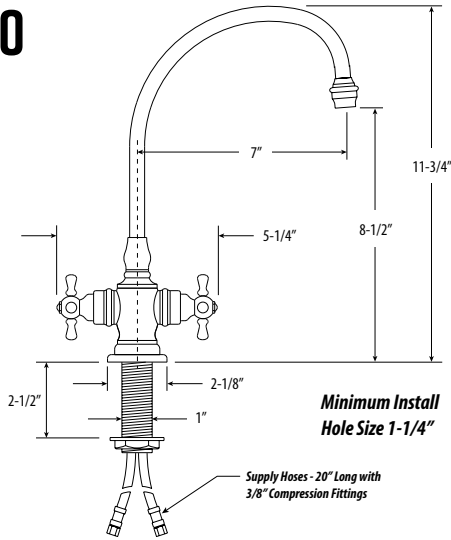
FINISH GROUP 1: CH
FINISH GROUP 2: BLN, CHB, CLZ, GR, MB, MW, PB, PN, SB, SC, SN, UPB
FINISH GROUP 3: AB, ABZ, AC, AMB, AP, CB, DAB, DAC, DAMB, DAP, MAB, MAC, MAP, ORB, PC, TB

PRECIOUS METALS: PG, SG - 30% increase from Group 3*
STAINLESS STEEL: SS
SPLIT FINISHES: SEE PAGE 32

*Pricing subject to change

BAR FAUCETS

1550



HAMPTON BAR FAUCET / CROSS HANDLES

LIST PRICES:

GRP 1	1039
GRP 2	1091
GRP 3	1421
SS	N/A

MEETS THE FOLLOWING:

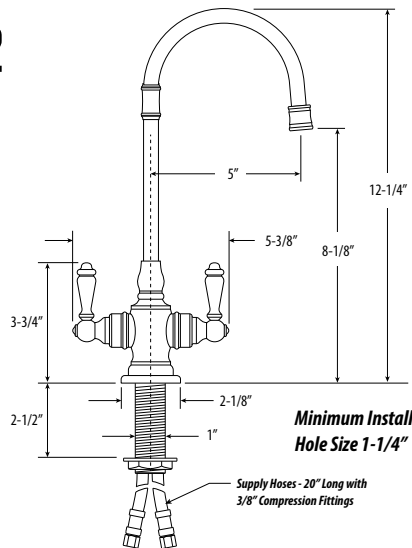
- ASME A112.18.1
- CSA B125.1
- NSF 61, 372
- CALGreen

FEATURES:

- C-spout has 7" reach and can swivel 360 degrees.
- 1.7 gpm maximum flow rate with aerated tip.
- 1/4 turn ceramic disk valve cartridges.
- Compatible with reverse osmosis water and systems.
- Made from eco-friendly solid brass.
- Removable aerator tip for easy cleaning.
- 3/8" compression connections.



1502



PEMBROKE BAR FAUCET / LEVER HANDLES

LIST PRICES:

GRP 1	1027
GRP 2	1080
GRP 3	1405
SS	N/A

MEETS THE FOLLOWING:

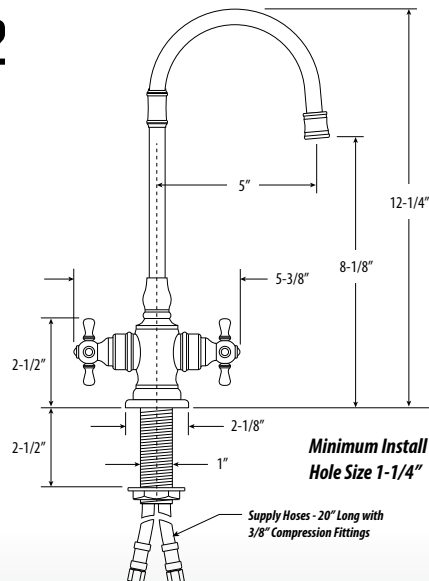
- ASME A112.18.1
- CSA B125.1
- NSF 61, 372
- CALGreen
- ADA Compliant

FEATURES:

- Matches all traditional PLP Pulldown Faucets.
- C-spout has 5" reach and can swivel 360 degrees.
- 1.7 gpm maximum flow rate with aerated tip.
- 1/4 turn ceramic disk valve cartridges.
- Compatible with reverse osmosis water and systems.
- Made from eco-friendly solid brass.
- Removable aerator tip for easy cleaning.
- 3/8" compression connections.



1552



PEMBROKE BAR FAUCET / CROSS HANDLES

LIST PRICES:

GRP 1	1073
GRP 2	1128
GRP 3	1469
SS	N/A

MEETS THE FOLLOWING:

- ASME A112.18.1
- CSA B125.1
- NSF 61, 372
- CALGreen

FEATURES:

- Matches all traditional PLP Pulldown Faucets.
- C-spout has 5" reach and can swivel 360 degrees.
- 1.7 gpm maximum flow rate with aerated tip.
- 1/4 turn ceramic disk valve cartridges.
- Compatible with reverse osmosis water and systems.
- Made from solid brass.
- Removable aerator tip for easy cleaning.
- 3/8" compression connections.



FINISH GROUP 1: CH
FINISH GROUP 2: BLN, CHB, CLZ, GR, MB, MW, PB, PN, SB, SC, SN, UPB
FINISH GROUP 3: AB, ABZ, AC, AMB, AP, CB, DAB, DAC, DAMB, DAP, MAB, MAC, MAP, ORB, PC, TB

PRECIOUS METALS: PG, SG - 30% increase from Group 3*
STAINLESS STEEL: SS
SPLIT FINISHES: SEE PAGE 32

*Pricing subject to change

TOWSON BAR FAUCET / LEVER HANDLES

LIST PRICES:

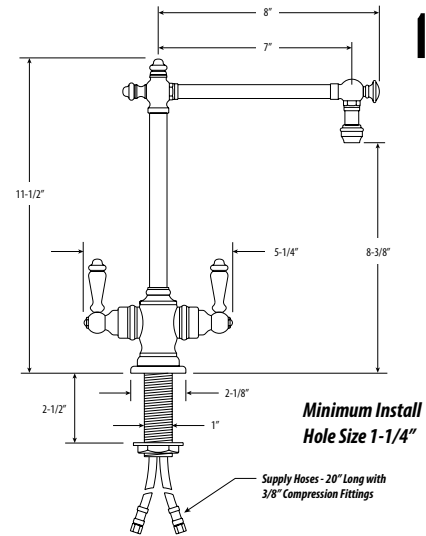
GRP 1	1296
GRP 2	1360
GRP 3	1773
SS	N/A

MEETS THE FOLLOWING:

- ASME A112.18.1
- CSA B125.1
- NSF 61, 372
- CALGreen
- ADA compliant

FEATURES:

- Straight spout has 7" reach and can swivel 360 degrees.
- 1.7 gpm maximum flow rate with aerated tip.
- 1/4 turn ceramic disk valve cartridges.
- Compatible with reverse osmosis water and systems.
- Made from eco-friendly solid brass.
- Removable aerator tip for easy cleaning.
- 3/8" compression connections.



1800

TOWSON BAR FAUCET / CROSS HANDLES

LIST PRICES:

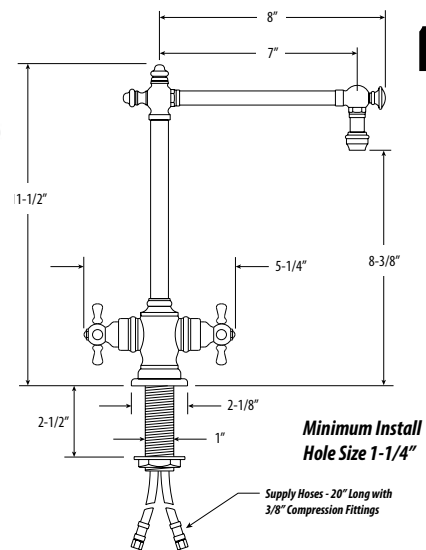
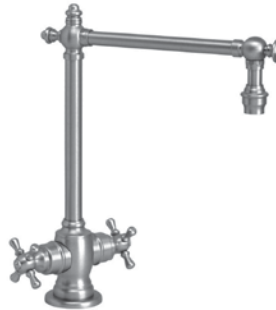
GRP 1	1367
GRP 2	1436
GRP 3	1871
SS	N/A

MEETS THE FOLLOWING:

- ASME A112.18.1
- CSA B125.1
- NSF 61, 372
- CALGreen

FEATURES:

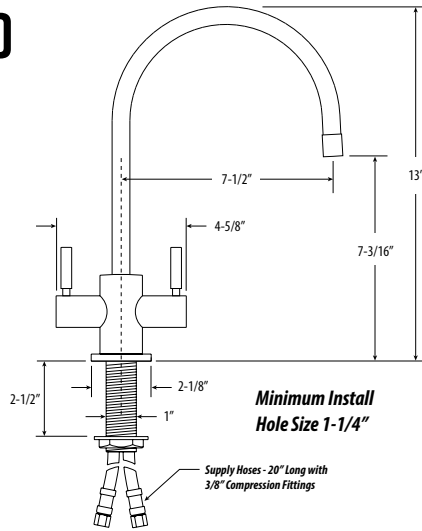
- Straight spout has 7" reach and can swivel 360 degrees.
- 1.7 gpm maximum flow rate with aerated tip.
- 1/4 turn ceramic disk valve cartridges.
- Compatible with reverse osmosis water and systems.
- Made from eco-friendly solid brass.
- Removable aerator tip for easy cleaning.
- 3/8" compression connections.



1850

BAR FAUCETS

1600



PARCHE BAR FAUCET

LIST PRICES:

GRP 1	977
GRP 2	1025
GRP 3	1336
SS	1372

MEETS THE FOLLOWING:

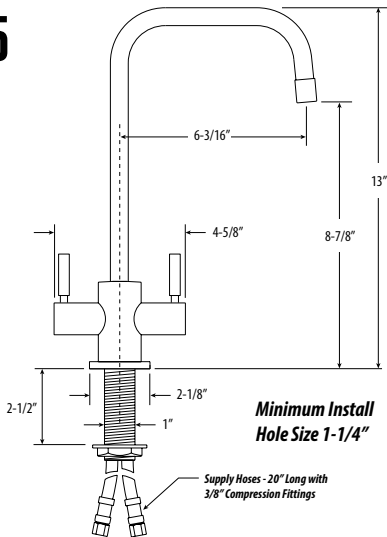
- ASME A112.18.1
- CSA B125.1
- NSF 61, 372
- CALGreen
- ADA Compliant

FEATURES:

- C-spout has 7-14" reach and can swivel 360 degrees.
- 1.7 gpm maximum flow rate with aerated tip.
- 1/4 turn ceramic disk valve cartridges.
- Compatible with reverse osmosis water and systems.
- Made from eco-friendly solid brass or 316 stainless steel.
- Removable aerator tip for easy cleaning.
- 3/8" compression connections.
- Reinforced braided connection hoses.



1625



FULTON BAR FAUCET

LIST PRICES:

GRP 1	989
GRP 2	1039
GRP 3	1353
SS	1391

MEETS THE FOLLOWING:

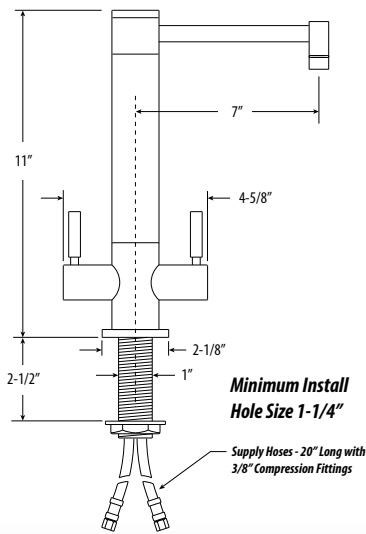
- ASME A112.18.1
- CSA B125.1
- NSF 61, 372
- CALGreen
- ADA Compliant

FEATURES:

- 2 bend U-spout has 6-1/4" reach and can swivel 360 degrees.
- 1.7 gpm maximum flow rate with aerated tip.
- 1/4 turn ceramic disk valve cartridges.
- Compatible with reverse osmosis water and systems.
- Made from eco-friendly solid brass or 316 stainless steel.
- Removable aerator tip for easy cleaning.
- 3/8" compression connections.
- Reinforced braided connection hoses.



2500



HUNLEY BAR FAUCET

LIST PRICES:

GRP 1	1314
GRP 2	1380
GRP 3	1797
SS	1846

MEETS THE FOLLOWING:

- ASME A112.18.1
- CSA B125.1
- NSF 61, 372
- CALGreen
- ADA Compliant

FEATURES:

- Straight spout has 7" reach and can swivel 360 degrees.
- 1.7 gpm maximum flow rate with aerated tip.
- 1/4 turn ceramic disk valve cartridges.
- Compatible with reverse osmosis water and systems.
- Made from eco-friendly solid brass or 316 stainless steel.
- Removable aerator tip for easy cleaning.
- 3/8" compression connections.
- Reinforced braided connection hoses.



INDUSTRIAL BAR FAUCET / C-SPOUT

LIST PRICES:

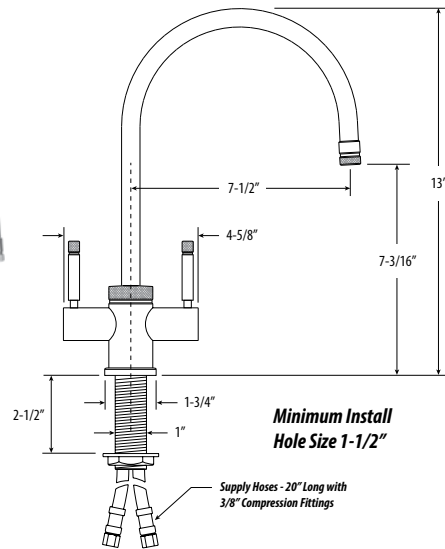
GRP 1	1073
GRP 2	1128
GRP 3	1469
SS	1510

MEETS THE FOLLOWING:

- ASME A112.18.1
- CSA B125.1
- NSF 61, 372
- CALGreen
- ADA Compliant

FEATURES:

- C-spout has 7-1/4" reach and can swivel 360 degrees.
- 1.7 gpm maximum flow rate with aerated tip.
- 1/4 turn ceramic disk valve cartridges.
- Compatible with reverse osmosis water and systems.
- Made from solid brass or 316 stainless steel.
- Removable aerator tip for easy cleaning.
- 3/8" compression connections.
- Reinforced braided connection hoses.



1650

INDUSTRIAL BAR FAUCET / 2 BEND U-SPOUT

LIST PRICES:

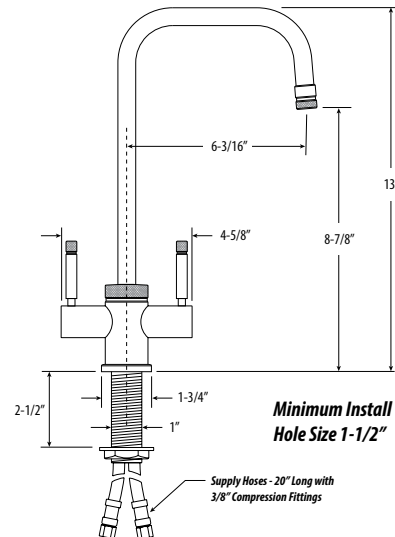
GRP 1	1087
GRP 2	1142
GRP 3	1487
SS	1527

MEETS THE FOLLOWING:

- ASME A112.18.1
- CSA B125.1
- NSF 61, 372
- CALGreen
- ADA Compliant

FEATURES:

- 2 bend U-spout has 6-1/4" reach and can swivel 360 degrees.
- 1.7 gpm maximum flow rate with aerated tip.
- 1/4 turn ceramic disk valve cartridges.
- Compatible with reverse osmosis water and systems.
- Made from eco-friendly solid brass or 316 stainless steel.
- Removable aerator tip for easy cleaning.
- 3/8" compression connections.
- Reinforced braided connection hoses.



1655

FILTRATION FAUCETS

COLD ONLY FILTRATION FAUCETS



*Annapolis Cold Only - 1100C
(pg. 181)*



*Annapolis Cold Only - 1150C
(pg. 182)*



*Hampton Cold Only - 1200C
(pg. 183)*



*Hampton Cold Only - 1250C
(pg. 184)*



*Pembroke Cold Only - 1202C
(pg. 185)*



*Pembroke Cold Only - 1252C
(pg. 186)*



*Towson Cold Only - 1700C
(pg. 187)*



*Towson Cold Only - 1750C
(pg. 188)*



*Hunley Cold Only - 1900C
(pg. 191)*



*Parche Cold Only - 1400C
(pg. 189)*



*Fulton Cold Only - 1425C
(pg. 190)*



*Industrial Cold Only - 1450C
(pg. 192)*



*Industrial Cold Only - 1455C
(pg. 193)*

HOT ONLY FILTRATION FAUCETS



*Annapolis Hot Only - 1100H
(pg. 181)*



*Annapolis Hot Only - 1150H
(pg. 182)*



*Hampton Hot Only - 1200H
(pg. 183)*



*Hampton Hot Only - 1250H
(pg. 184)*



*Pembroke Hot Only - 1202H
(pg. 185)*



*Pembroke Hot Only - 1252H
(pg. 186)*



*Towson Hot Only - 1700H
(pg. 187)*



*Towson Hot Only - 1750H
(pg. 188)*



*Hunley Hot Only - 1900H
(pg. 191)*



*Parche Hot Only - 1400H
(pg. 189)*



*Fulton Hot Only - 1425H
(pg. 190)*



*Industrial Hot Only - 1450H
(pg. 192)*



*Industrial Hot Only - 1455H
(pg. 193)*

FILTRATION FAUCETS

HOT AND COLD FILTRATION FAUCETS



*Annapolis Hot and Cold - 1100HC
(pg. 181)*



*Annapolis Hot and Cold - 1150HC
(pg. 182)*



*Hampton Hot and Cold - 1200HC
(pg. 183)*



*Hampton Hot and Cold - 1250HC
(pg. 184)*



*Pembroke Hot and Cold - 1202HC
(pg. 185)*



*Pembroke Hot and Cold - 1252HC
(pg. 186)*



*Towson Hot and Cold - 1700HC
(pg. 187)*



*Towson Hot and Cold - 1750HC
(pg. 188)*



*Hunley Hot and Cold - 1900HC
(pg. 191)*



*Parche Hot and Cold - 1400HC
(pg. 189)*



*Fulton Hot and Cold - 1425HC
(pg. 190)*



*Industrial Hot and Cold - 1450HC
(pg. 192)*



*Industrial Hot and Cold - 1455HC
(pg. 193)*

ANNAPOLIS COLD ONLY FILTRATION FAUCET / LEVER HANDLE

LIST PRICES:

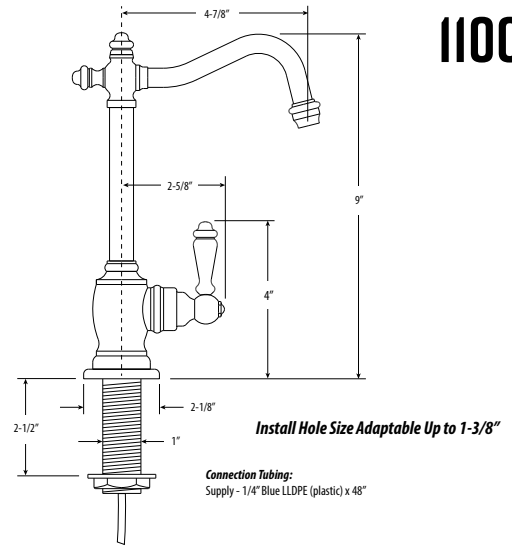
GRP 1	805
GRP 2	843
GRP 3	1100
SS	N/A

MEETS THE FOLLOWING:

- ASME A112.18.1
- CSA B125.1
- NSF 61, 372
- CALGreen
- ADA Compliant

FEATURES:

- Cold filtered water on demand.
- For use with Waterstone Filtration System.
- Hook spout has 4-7/8" reach and can swivel 360 degrees.
- 1.1 gpm maximum flow rate.
- Compatible with reverse osmosis water and systems.
- Made from eco-friendly solid brass.
- 1/4 turn ceramic disk valve cartridge.



1100C

ANNAPOLIS HOT ONLY FILTRATION FAUCET / LEVER HANDLE

LIST PRICES:

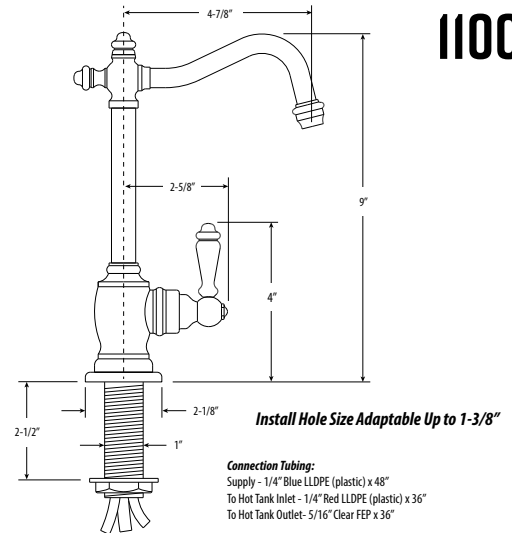
GRP 1	836
GRP 2	878
GRP 3	1143
SS	N/A

MEETS THE FOLLOWING:

- ASME A112.18.1
- CSA B125.1
- NSF 61, 372
- CALGreen
- ADA Compliant

FEATURES:

- Instant hot water on demand.
- For use with Waterstone Insta-Hot System.
- Hook spout has 4-7/8" reach and can swivel 360 degrees.
- 1.1 gpm maximum flow rate.
- Compatible with reverse osmosis water and systems.
- Made from eco-friendly solid brass.
- 1/4 turn ceramic disk valve cartridge.



1100H

ANNAPOLIS HOT AND COLD FILTRATION FAUCET / LEVER HANDLES

LIST PRICES:

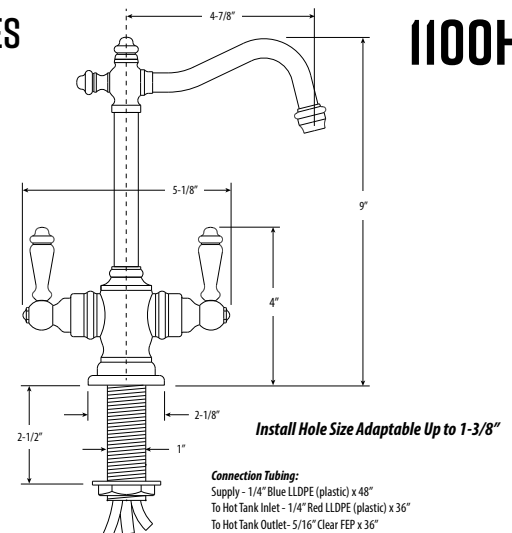
GRP 1	939
GRP 2	987
GRP 3	1285
SS	N/A

MEETS THE FOLLOWING:

- ASME A112.18.1
- CSA B125.1
- NSF 61, 372
- CALGreen
- ADA Compliant

FEATURES:

- Hot and cold filtered water on demand.
- For use with Waterstone Ultimate Filtration System.
- Hook spout has 4-7/8" reach and can swivel 360 degrees.
- 1.1 gpm maximum flow rate.
- Compatible with reverse osmosis water and systems.
- Made from eco-friendly solid brass.
- 1/4 turn ceramic disk valve cartridges.



1100HC

FINISH GROUP 1: CH
FINISH GROUP 2: BLN, CHB, CLZ, GR, MB, MW, PB, PN, SB, SC, SN, UPB
FINISH GROUP 3: AB, ABZ, AC, AMB, AP, CB, DAB, DAC, DAMB, DAP, MAB, MAC, MAP, ORB, PC, TB

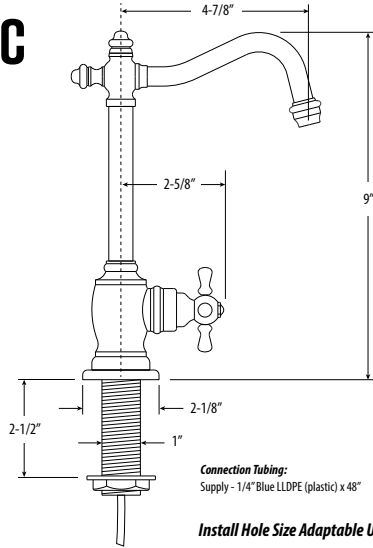
PRECIOUS METALS: PG, SG - 30% increase from Group 3*
STAINLESS STEEL: SS
SPLIT FINISHES: SEE PAGE 32

*Pricing subject to change

FILTRATION FAUCETS

FILTRATION FAUCETS

1150C



ANNAPOLIS COLD ONLY FILTRATION FAUCET / CROSS HANDLE

LIST PRICES:

GRP 1	843
GRP 2	885
GRP 3	1153
SS	N/A

FEATURES:

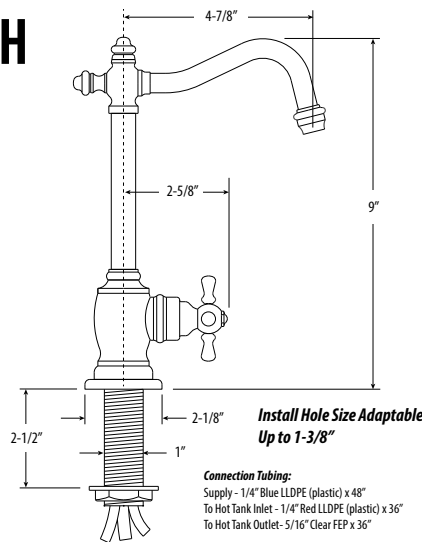
- Cold filtered water on demand.
- For use with Waterstone Filtration System.
- Hook spout has 4-7/8" reach and can swivel 360 degrees.
- 1.1 gpm maximum flow rate.
- Ergonomic single cross handle.
- Compatible with reverse osmosis water and systems.
- Made from eco-friendly solid brass.
- 1/4 turn ceramic disk valve cartridge.
- 1/4" compression connection.



MEETS THE FOLLOWING:

- ASME A112.18.1
- CSA B125.1
- NSF 61, 372
- CALGreen

1150H



ANNAPOLIS HOT ONLY FILTRATION FAUCET / CROSS HANDLE

LIST PRICES:

GRP 1	868
GRP 2	912
GRP 3	1187
SS	N/A

FEATURES:

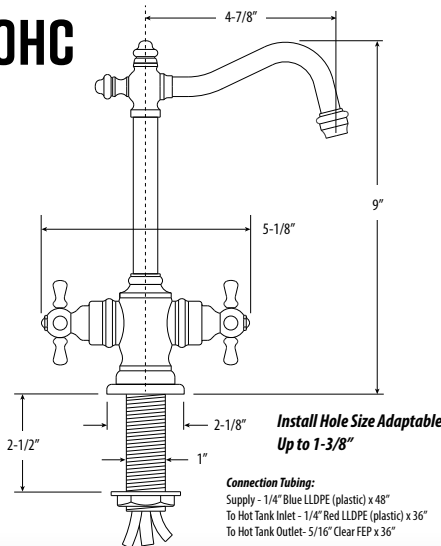
- Instant hot water on demand.
- For use with Waterstone Insta-Hot System.
- Hook spout has 4-7/8" reach and can swivel 360 degrees.
- 1.1 gpm maximum flow rate.
- Ergonomic single cross handle.
- Compatible with reverse osmosis water and systems.
- Made from eco-friendly solid brass.
- 1/4 turn ceramic disk valve cartridge.



MEETS THE FOLLOWING:

- ASME A112.18.1
- CSA B125.1
- NSF 61, 372
- CALGreen

1150HC



ANNAPOLIS HOT AND COLD FILTRATION FAUCET / CROSS HANDLES

LIST PRICES:

GRP 1	974
GRP 2	1023
GRP 3	1332
SS	N/A

FEATURES:

- Hot and cold filtered water on demand.
- For use with Waterstone Ultimate Filtration System.
- Hook spout has 4-7/8" reach and can swivel 360 degrees.
- 1.1 gpm maximum flow rate.
- Ergonomic dual cross handles.
- Compatible with reverse osmosis water and systems.
- Made from eco-friendly solid brass.
- 1/4 turn ceramic disk valve cartridges.



MEETS THE FOLLOWING:

- ASME A112.18.1
- CSA B125.1
- NSF 61, 372
- CALGreen

FINISH GROUP 1: CH
FINISH GROUP 2: BLN, CHB, CLZ, GR, MB, MW, PB, PN, SB, SC, SN, UPB
FINISH GROUP 3: AB, ABZ, AC, AMB, AP, CB, DAB, DAC, DAMB, DAP, MAB, MAC, MAP, ORB, PC, TB

PRECIOUS METALS: PG, SG - 30% increase from Group 3*
STAINLESS STEEL: SS
SPLIT FINISHES: SEE PAGE 32

HAMPTON COLD ONLY FILTRATION FAUCET / LEVER HANDLE

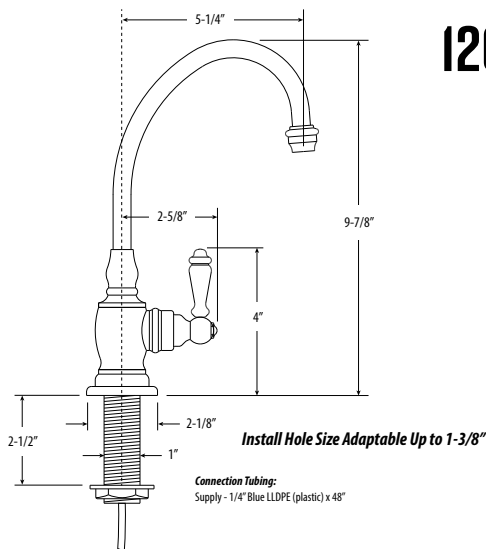
1200C

LIST PRICES:

GRP 1	728
GRP 2	764
GRP 3	996
SS	N/A

FEATURES:

- Cold filtered water on demand.
- For use with Waterstone Filtration System.
- C-spout has 5-1/4" reach and can swivel 360 degrees.
- 1.1 gpm maximum flow rate.
- Compatible with reverse osmosis water and systems.
- Made from eco-friendly solid brass.
- 1/4 turn ceramic disk valve cartridge.
- 1/4" compression connection.



MEETS THE FOLLOWING:

- ASME A112.18.1
- CSA B125.1
- NSF 61, 372
- CALGreen
- ADA Compliant

HAMPTON HOT ONLY FILTRATION FAUCET / LEVER HANDLE

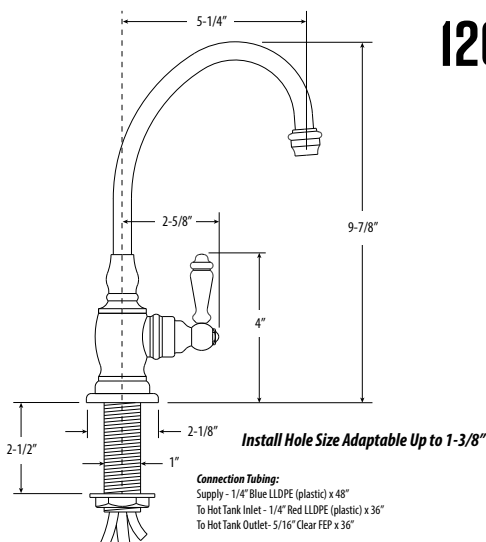
1200H

LIST PRICES:

GRP 1	778
GRP 2	817
GRP 3	1065
SS	N/A

FEATURES:

- Instant hot water on demand.
- For use with Waterstone Insta-Hot System.
- C-spout has 5-1/4" reach and can swivel 360 degrees.
- 1.1 gpm maximum flow rate.
- Compatible with reverse osmosis water and systems.
- Made from eco-friendly solid brass.
- 1/4 turn ceramic disk valve cartridge.



MEETS THE FOLLOWING:

- ASME A112.18.1
- CSA B125.1
- NSF 61, 372
- CALGreen
- ADA Compliant

HAMPTON HOT AND COLD FILTRATION FAUCET / LEVER HANDLES

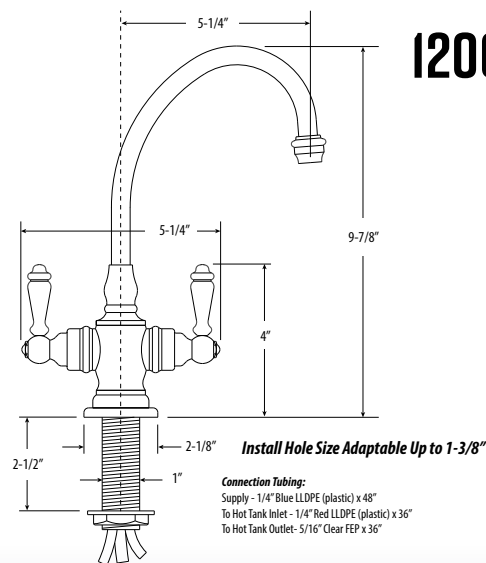
1200HC

LIST PRICES:

GRP 1	881
GRP 2	926
GRP 3	1205
SS	N/A

FEATURES:

- Hot and cold filtered water on demand.
- For use with Waterstone Ultimate Filtration System.
- C-spout has 5-1/4" reach and can swivel 360 degrees.
- 1.1 gpm maximum flow rate.
- Compatible with reverse osmosis water and systems.
- Made from eco-friendly solid brass.
- 1/4 turn ceramic disk valve cartridges.



MEETS THE FOLLOWING:

- ASME A112.18.1
- CSA B125.1
- NSF 61, 372
- CALGreen
- ADA Compliant

FINISH GROUP 1: CH
FINISH GROUP 2: BLN, CHB, CLZ, GR, MB, MW, PB, PN, SB, SC, SN, UPB
FINISH GROUP 3: AB, ABZ, AC, AMB, AP, CB, DAB, DAC, DAMB, DAP, MAB, MAC, MAP, ORB, PC, TB

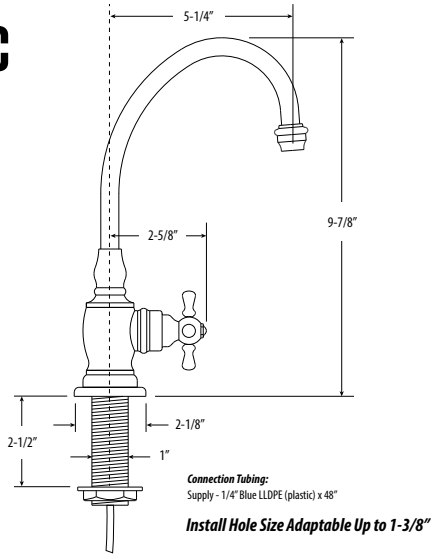
PRECIOUS METALS: PG, SG - 30% increase from Group 3*
STAINLESS STEEL: SS
SPLIT FINISHES: SEE PAGE 32

*Pricing subject to change

FILTRATION FAUCETS

FILTRATION FAUCETS

I250C



HAMPTON COLD ONLY FILTRATION FAUCET / CROSS HANDLE

LIST PRICES:

GRP 1	763
GRP 2	800
GRP 3	1043
SS	N/A

MEETS THE FOLLOWING:

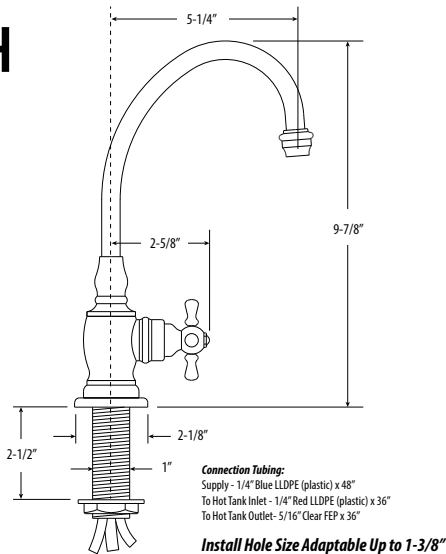
- ASME A112.18.1
- CSA B125.1
- NSF 61, 372
- CALGreen

FEATURES:

- Cold filtered water on demand.
- For use with Waterstone Filtration System.
- C-spout has 5-1/4" reach and can swivel 360 degrees.
- 1.1 gpm maximum flow rate.
- Ergonomic single cross handle.
- Compatible with reverse osmosis water and systems.
- Made from eco-friendly solid brass.
- 1/4 turn ceramic disk valve cartridge.
- 1/4" compression connection.



I250H



HAMPTON HOT ONLY FILTRATION FAUCET / CROSS HANDLE

LIST PRICES:

GRP 1	810
GRP 2	851
GRP 3	1108
SS	N/A

MEETS THE FOLLOWING:

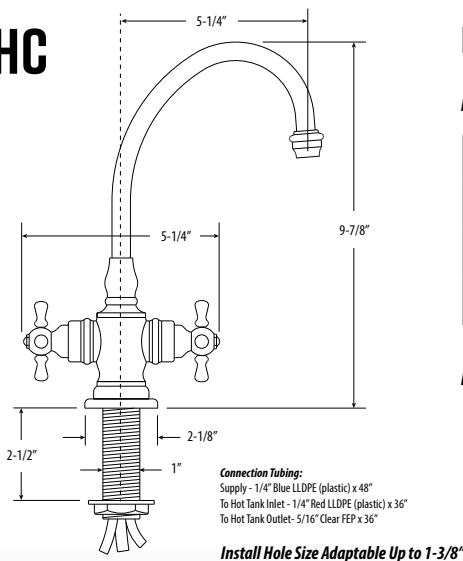
- ASME A112.18.1
- CSA B125.1
- NSF 61, 372
- CALGreen

FEATURES:

- Instant hot water on demand.
- For use with Waterstone Insta-Hot System.
- C-spout has 5-1/4" reach and can swivel 360 degrees.
- 1.1 gpm maximum flow rate.
- Ergonomic single cross handle.
- Compatible with reverse osmosis water and systems.
- Made from solid brass.
- 1/4 turn ceramic disk valve cartridge.



I250HC



HAMPTON HOT AND COLD FILTRATION FAUCET / CROSS HANDLES

LIST PRICES:

GRP 1	913
GRP 2	959
GRP 3	1249
SS	N/A

MEETS THE FOLLOWING:

- ASME A112.18.1
- CSA B125.1
- NSF 61, 372
- CALGreen

FEATURES:

- Hot and cold filtered water on demand.
- For use with Waterstone Ultimate Filtration System.
- C-spout has 5-1/4" reach and can swivel 360 degrees.
- 1.1 gpm maximum flow rate.
- Ergonomic dual cross handles.
- Compatible with reverse osmosis water and systems.
- Made from eco-friendly solid brass.
- 1/4 turn ceramic disk valve cartridges.



FINISH GROUP 1: CH
FINISH GROUP 2: BLN, CHB, CLZ, GR, MB, MW, PB, PN, SB, SC, SN, UPB
FINISH GROUP 3: AB, ABZ, AC, AMB, AP, CB, DAB, DAC, DAMB, DAP, MAB, MAC, MAP, ORB, PC, TB

PRECIOUS METALS: PG, SG - 30% increase from Group 3*
STAINLESS STEEL: SS
SPLIT FINISHES: SEE PAGE 32

PEMBROKE COLD ONLY FILTRATION FAUCET / LEVER HANDLE

LIST PRICES:

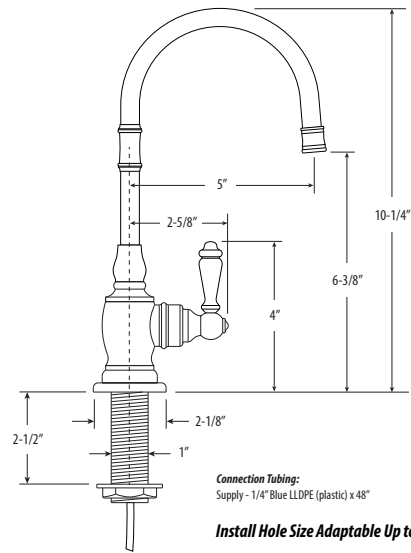
GRP 1	808
GRP 2	849
GRP 3	1104
SS	N/A

MEETS THE FOLLOWING:

- ASME A112.18.1
- CSA B125.1
- NSF 61, 372
- CALGreen
- ADA Compliant

FEATURES:

- Matches all traditional PLP Pulldown Faucets.
- For use with Waterstone Filtration System.
- C-spout has 5" reach and can swivel 360 degrees.
- 1.1 gpm maximum flow rate.
- Compatible with reverse osmosis water and systems.
- Made from eco-friendly solid brass.
- 1/4 turn ceramic disk valve cartridge.
- 1/4" compression connection.



1202C

PEMBROKE HOT ONLY FILTRATION FAUCET / LEVER HANDLE

LIST PRICES:

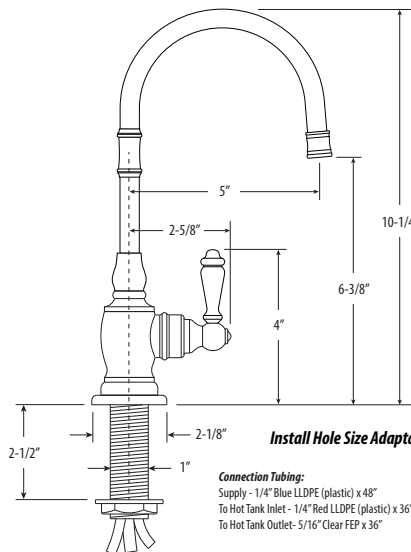
GRP 1	877
GRP 2	921
GRP 3	1200
SS	N/A

MEETS THE FOLLOWING:

- ASME A112.18.1
- CSA B125.1
- NSF 61, 372
- CALGreen
- ADA Compliant

FEATURES:

- Matches all traditional PLP Pulldown Faucets.
- Instant hot water on demand.
- For use with Waterstone Insta-Hot System.
- C-spout has 5" reach and can swivel 360 degrees.
- 1.1 gpm maximum flow rate.
- Compatible with reverse osmosis water and systems.
- Made from eco-friendly solid brass.
- 1/4 turn ceramic disk valve cartridge.



1202H

PEMBROKE HOT AND COLD FILTRATION FAUCET / LEVER HANDLES

LIST PRICES:

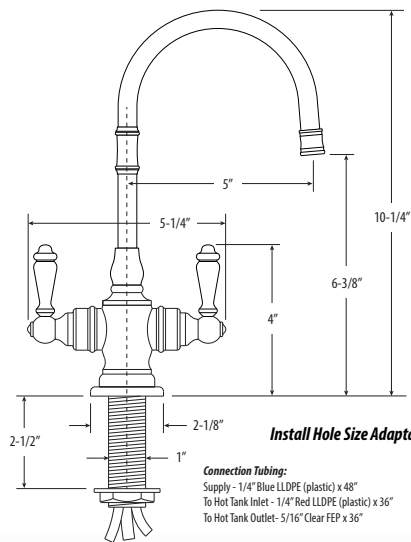
GRP 1	985
GRP 2	1036
GRP 3	1349
SS	N/A

MEETS THE FOLLOWING:

- ASME A112.18.1
- CSA B125.1
- NSF 61, 372
- CALGreen
- ADA Compliant

FEATURES:

- Matches all traditional PLP Pulldown Faucets.
- For use with Waterstone Ultimate Filtration System.
- C-spout has 5" reach and can swivel 360 degrees.
- 1.1 gpm maximum flow rate.
- Compatible with reverse osmosis water and systems.
- Made from eco-friendly solid brass.
- 1/4 turn ceramic disk valve cartridges.



1202HC

FINISH GROUP 1: CH
FINISH GROUP 2: BLN, CHB, CLZ, GR, MB, MW, PB, PN, SB, SC, SN, UPB
FINISH GROUP 3: AB, ABZ, AC, AMB, AP, CB, DAB, DAC, DAMB, DAP, MAB, MAC, MAP, ORB, PC, TB

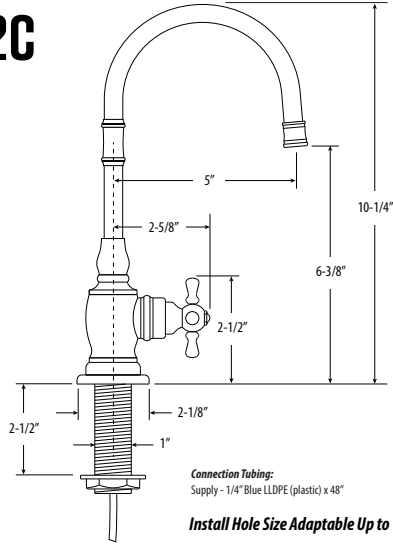
PRECIOUS METALS: PG, SG - 30% increase from Group 3*
STAINLESS STEEL: SS
SPLIT FINISHES: SEE PAGE 32

*Pricing subject to change

FILTRATION FAUCETS

FILTRATION FAUCETS

1252C



PEMBROKE COLD ONLY FILTRATION FAUCET / CROSS HANDLE

LIST PRICES:

GRP 1	838
GRP 2	881
GRP 3	1148
SS	N/A

MEETS THE FOLLOWING:

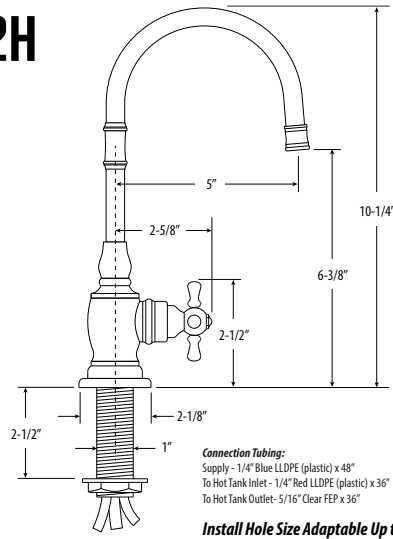
- ASME A112.18.1
- CSA B125.1
- NSF 61, 372
- CALGreen

FEATURES:

- Matches all traditional PLP Pulldown Faucets.
- Cold filtered water on demand.
- For use with Waterstone Filtration System.
- C-spout has 5" reach and can swivel 360 degrees.
- 1.1 gpm maximum flow rate.
- Ergonomic single cross handle.
- Compatible with reverse osmosis water and systems.
- Made from eco-friendly solid brass.
- 1/4 turn ceramic disk valve cartridge.
- 1/4" compression connection.



1252H



PEMBROKE HOT ONLY FILTRATION FAUCET / CROSS HANDLE

LIST PRICES:

GRP 1	902
GRP 2	948
GRP 3	1235
SS	N/A

MEETS THE FOLLOWING:

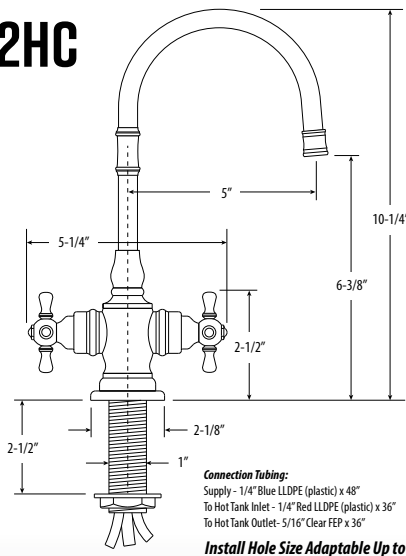
- ASME A112.18.1
- CSA B125.1
- NSF 61, 372
- CALGreen

FEATURES:

- Matches all traditional PLP Pulldown Faucets.
- Instant hot water on demand.
- For use with Waterstone Insta-Hot System.
- Part of the traditional Pembroke Suite.
- C-spout has 5" reach and can swivel 360 degrees.
- 1.1 gpm maximum flow rate.
- Compatible with reverse osmosis water and systems.
- Made from eco-friendly solid brass.
- 1/4 turn ceramic disk valve cartridge.



1252HC



PEMBROKE HOT AND COLD FILTRATION FAUCET / CROSS HANDLES

LIST PRICES:

GRP 1	1015
GRP 2	1067
GRP 3	1390
SS	N/A

MEETS THE FOLLOWING:

- ASME A112.18.1
- CSA B125.1
- NSF 61, 372
- CALGreen

FEATURES:

- Matches all traditional PLP Pulldown Faucets.
- Hot and cold filtered water on demand.
- For use with Waterstone Ultimate Filtration System.
- C-spout has 5" reach and can swivel 360 degrees.
- 1.1 gpm maximum flow rate.
- Ergonomic dual cross handles.
- Compatible with reverse osmosis water and systems.
- Made from eco-friendly solid brass.
- 1/4 turn ceramic disk valve cartridges.



FINISH GROUP 1: CH

FINISH GROUP 2: BLN, CHB, CLZ, GR, MB, MW, PB, PN, SB, SC, SN, UPB

FINISH GROUP 3: AB, ABZ, AC, AMB, AP, CB, DAB, DAC, DAMB, DAP, MAB, MAC, MAP, ORB, PC, TB

PRECIOUS METALS: PG, SG - 30% increase from Group 3*

STAINLESS STEEL: SS

SPLIT FINISHES: SEE PAGE 32

*Pricing subject to change

TOWSON COLD ONLY FILTRATION FAUCET / LEVER HANDLE

1700C

LIST PRICES:

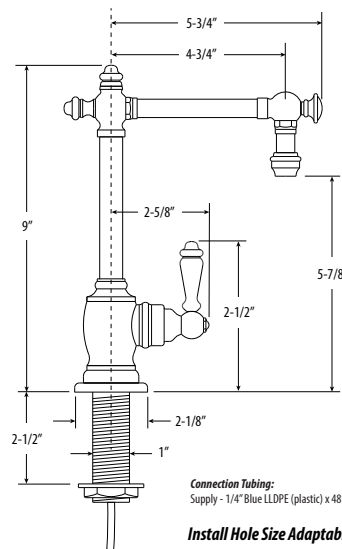
GRP 1	1015
GRP 2	1067
GRP 3	1390
SS	N/A

MEETS THE FOLLOWING:

- ASME A112.18.1
- CSA B125.1
- NSF 61, 372
- CALGreen
- ADA Compliant

FEATURES:

- Cold filtered water on demand.
- For use with Waterstone Filtration System.
- Straight spout has 4-3/4" reach and can swivel 360 degrees.
- 1.1 gpm maximum flow rate.
- Ergonomic single lever handle.
- Compatible with reverse osmosis water and systems.
- Made from eco-friendly solid brass.
- 1/4 turn ceramic disk valve cartridge.
- 1/4" compression connection.



TOWSON HOT ONLY FILTRATION FAUCET / LEVER HANDLE

1700H

LIST PRICES:

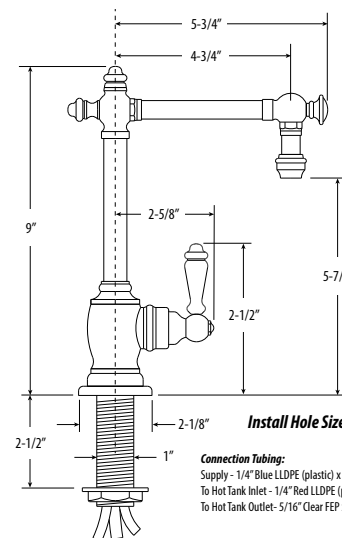
GRP 1	1080
GRP 2	1133
GRP 3	1477
SS	N/A

MEETS THE FOLLOWING:

- ASME A112.18.1
- CSA B125.1
- NSF 61, 372
- CALGreen
- ADA Compliant

FEATURES:

- Instant hot water on demand.
- For use with Waterstone Insta-Hot System.
- Straight spout has 4-3/4" reach and can swivel 360 degrees.
- 1.1 gpm maximum flow rate.
- Ergonomic single lever handle.
- Compatible with reverse osmosis water and systems.
- Made from eco-friendly solid brass.
- 1/4 turn ceramic disk valve cartridge.



TOWSON HOT AND COLD FILTRATION FAUCET / LEVER HANDLES

1700HC

LIST PRICES:

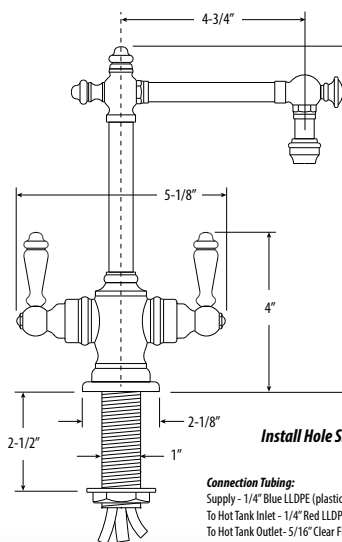
GRP 1	1197
GRP 2	1257
GRP 3	1637
SS	N/A

MEETS THE FOLLOWING:

- ASME A112.18.1
- CSA B125.1
- NSF 61, 372
- CALGreen
- ADA Compliant

FEATURES:

- Hot and cold filtered water on demand.
- For use with Waterstone Ultimate Filtration System.
- Straight spout has 4-3/4" reach and can swivel 360 degrees.
- 1.1 gpm maximum flow rate.
- Ergonomic dual lever handles.
- Compatible with reverse osmosis water and systems.
- Made from eco-friendly solid brass.
- 1/4 turn ceramic disk valve cartridges.



FINISH GROUP 1: CH
FINISH GROUP 2: BLN, CHB, CLZ, GR, MB, MW, PB, PN, SB, SC, SN, UPB
FINISH GROUP 3: AB, ABZ, AC, AMB, AP, CB, DAB, DAC, DAMB, DAP, MAB, MAC, MAP, ORB, PC, TB

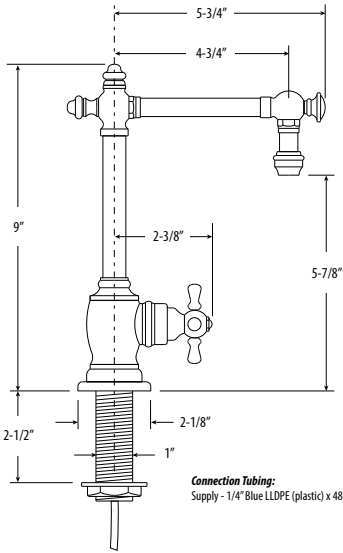
PRECIOUS METALS: PG, SG - 30% increase from Group 3*
STAINLESS STEEL: SS
SPLIT FINISHES: SEE PAGE 32

*Pricing subject to change

FILTRATION FAUCETS

FILTRATION FAUCETS

1750C



Install Hole Size
Adaptable Up to
1-3/8"

TOWSON COLD ONLY FILTRATION FAUCET / CROSS HANDLE

LIST PRICES:

GRP 1	1043
GRP 2	1097
GRP 3	1429
SS	N/A

MEETS THE FOLLOWING:

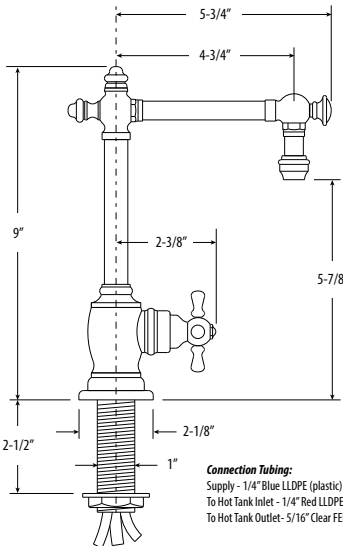
- ASME A112.18.1
- CSA B125.1
- NSF 61, 372
- CALGreen

FEATURES:

- Cold filtered water on demand.
- For use with Waterstone Filtration System.
- Straight spout has 4-3/4" reach and can swivel 360 degrees.
- 1.1 gpm maximum flow rate.
- Ergonomic single cross handle.
- Compatible with reverse osmosis water and systems.
- Made from eco-friendly solid brass.
- 1/4 turn ceramic disk valve cartridge.
- 1/4" compression connection.



1750H



Install Hole Size
Adaptable Up to
1-3/8"

TOWSON HOT ONLY FILTRATION FAUCET / CROSS HANDLE

LIST PRICES:

GRP 1	1006
GRP 2	1055
GRP 3	1374
SS	N/A

MEETS THE FOLLOWING:

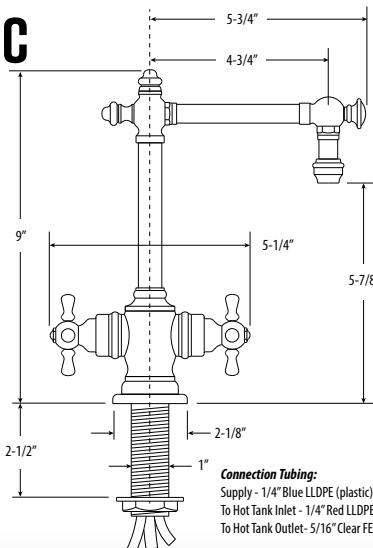
- ASME A112.18.1
- CSA B125.1
- NSF 61, 372
- CALGreen

FEATURES:

- Instant hot water on demand.
- For use with Waterstone Insta-Hot System.
- Straight spout has 4-3/4" reach and can swivel 360 degrees.
- 1.1 gpm maximum flow rate.
- Ergonomic single cross handle.
- Compatible with reverse osmosis water and systems.
- Made from eco-friendly solid brass.
- 1/4 turn ceramic disk valve cartridge.



1750HC



Install Hole Size
Adaptable Up to
1-3/8"

TOWSON HOT AND COLD FILTRATION FAUCET / CROSS HANDLES

LIST PRICES:

GRP 1	1287
GRP 2	1352
GRP 3	1762
SS	N/A

MEETS THE FOLLOWING:

- ASME A112.18.1
- CSA B125.1
- NSF 61, 372
- CALGreen

FEATURES:

- Hot and cold filtered water on demand.
- For use with Waterstone Ultimate Filtration System.
- Straight spout has 4-3/4" reach and can swivel 360 degrees.
- 1.1 gpm maximum flow rate.
- Ergonomic dual cross handles.
- Compatible with reverse osmosis water and systems.
- Made from eco-friendly solid brass.
- 1/4 turn ceramic disk valve cartridges.



FINISH GROUP 1: CH

FINISH GROUP 2: BLN, CHB, CLZ, GR, MB, MW, PB, PN, SB, SC, SN, UPB

FINISH GROUP 3: AB, ABZ, AC, AMB, AP, CB, DAB, DAC, DAMB, DAP, MAB, MAC, MAP, ORB, PC, TB

PRECIOUS METALS: PG, SG - 30% increase from Group 3*

STAINLESS STEEL: SS

SPLIT FINISHES: SEE PAGE 32

*Pricing subject to change

PARCHE GOLD ONLY FILTRATION FAUCET

LIST PRICES:

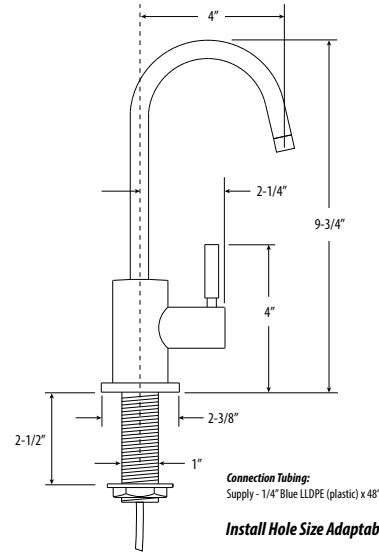
GRP 1	698
GRP 2	733
GRP 3	955
SS	980

MEETS THE FOLLOWING:

- ASME A112.18.1
- CSA B125.1
- NSF 61, 372
- CALGreen
- ADA Compliant

FEATURES:

- Cold filtered water on demand.
- For use with Waterstone Filtration System.
- C-spout has 4" reach and can swivel 360 degrees.
- 1.1 gpm maximum flow rate.
- Ergonomic single lever handle.
- Compatible with reverse osmosis water and systems.
- Made from eco-friendly solid brass or 316 stainless steel.
- 1/4 turn ceramic disk valve cartridge.
- 1/4" compression connection.



1400C

PARCHE HOT ONLY FILTRATION FAUCET

LIST PRICES:

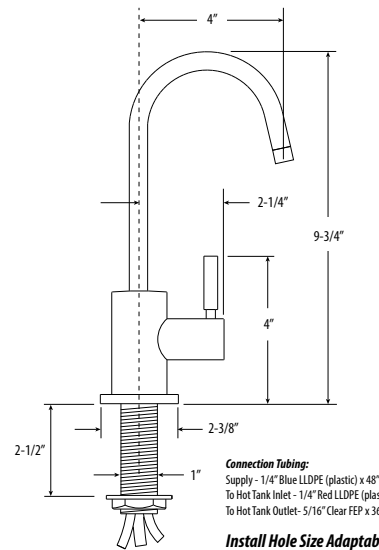
GRP 1	764
GRP 2	803
GRP 3	1044
SS	1073

MEETS THE FOLLOWING:

- ASME A112.18.1
- CSA B125.1
- NSF 61, 372
- CALGreen
- ADA Compliant

FEATURES:

- Instant hot water on demand.
- For use with Waterstone Insta-Hot System.
- C-spout has 4" reach and can swivel 360 degrees.
- 1.1 gpm maximum flow rate.
- Ergonomic single lever handle.
- Compatible with reverse osmosis water and systems.
- Made from eco-friendly solid brass or 316 stainless steel.
- 1/4 turn ceramic disk valve cartridge.



1400H

PARCHE HOT AND COLD FILTRATION FAUCET

LIST PRICES:

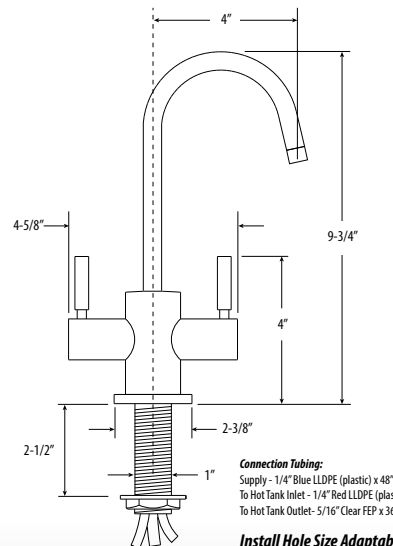
GRP 1	828
GRP 2	870
GRP 3	1135
SS	1164

MEETS THE FOLLOWING:

- ASME A112.18.1
- CSA B125.1
- NSF 61, 372
- CALGreen
- ADA Compliant

FEATURES:

- Hot and cold filtered water on demand.
- For use with Waterstone Ultimate Filtration System.
- C-spout has 4" reach and can swivel 360 degrees.
- 1.1 gpm maximum flow rate.
- Ergonomic dual lever handles.
- Compatible with reverse osmosis water and systems.
- Made from eco-friendly solid brass or 316 stainless steel.
- 1/4 turn ceramic disk valve cartridges.



1400HC

FINISH GROUP 1: CH
FINISH GROUP 2: BLN, CHB, CLZ, GR, MB, MW, PB, PN, SB, SC, SN, UPB
FINISH GROUP 3: AB, ABZ, AC, AMB, AP, CB, DAB, DAC, DAMB, DAP, MAB, MAC, MAP, ORB, PC, TB

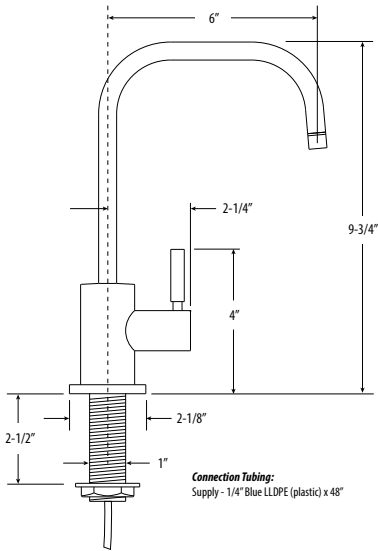
PRECIOUS METALS: PG, SG - 30% increase from Group 3*
STAINLESS STEEL: SS
SPLIT FINISHES: SEE PAGE 32

*Pricing subject to change

FILTRATION FAUCETS

FILTRATION FAUCETS

1425C



Install Hole Size
Adaptable Up to
1-3/8"

FULTON COLD ONLY FILTRATION FAUCET

LIST PRICES:

GRP 1	746
GRP 2	782
GRP 3	1020
SS	1048

MEETS THE FOLLOWING:

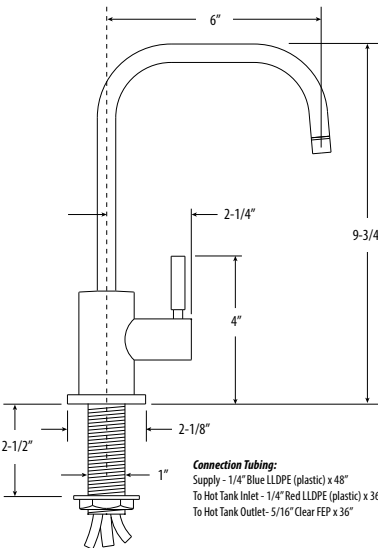
- ASME A112.18.1
- CSA B125.1
- NSF 61, 372
- CALGreen
- ADA Compliant

FEATURES:

- Cold filtered water on demand.
- For use with Waterstone Filtration System.
- 2 bend U-spout has 6" reach and can swivel 360 degrees.
- 1.1 gpm maximum flow rate.
- Compatible with reverse osmosis water and systems.
- Made from solid brass or 316 stainless steel.
- 1/4 turn ceramic disk valve cartridge.
- 1/4" compression connection.



1425H



Install Hole Size
Adaptable Up to
1-3/8"

FULTON HOT ONLY FILTRATION FAUCET

LIST PRICES:

GRP 1	810
GRP 2	851
GRP 3	1108
SS	1138

MEETS THE FOLLOWING:

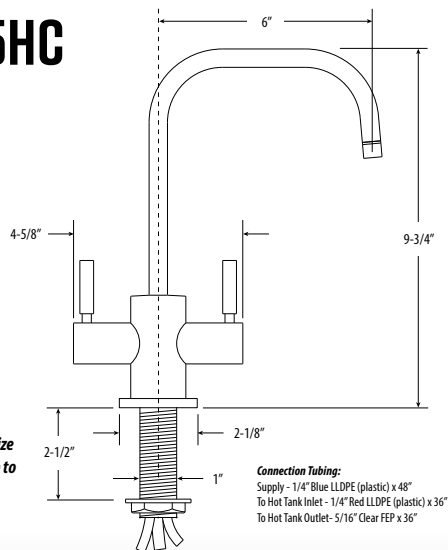
- ASME A112.18.1
- CSA B125.1
- NSF 61, 372
- CALGreen
- ADA Compliant

FEATURES:

- Instant hot water on demand.
- For use with Waterstone Insta-Hot System.
- 2 bend U-spout has 6" reach and can swivel 360 degrees.
- 1.1 gpm maximum flow rate.
- Ergonomic single lever handle.
- Compatible with reverse osmosis water and systems.
- Made from solid brass or 316 stainless steel.
- 1/4 turn ceramic disk valve cartridge.



1425HC



Install Hole Size
Adaptable Up to
1-3/8"

FULTON HOT AND COLD FILTRATION FAUCET

LIST PRICES:

GRP 1	875
GRP 2	919
GRP 3	1198
SS	1230

MEETS THE FOLLOWING:

- ASME A112.18.1
- CSA B125.1
- NSF 61, 372
- CALGreen
- ADA Compliant

FEATURES:

- Hot and cold filtered water on demand.
- For use with Waterstone Ultimate Filtration System.
- 2 bend U-spout has 6" reach and can swivel 360 degrees.
- 1.1 gpm maximum flow rate.
- Ergonomic dual lever handles.
- Compatible with reverse osmosis water and systems.
- Made from solid brass or 316 stainless steel.
- 1/4 turn ceramic disk valve cartridges.



FINISH GROUP 1: CH
FINISH GROUP 2: BLN, CHB, CLZ, GR, MB, MW, PB, PN, SB, SC, SN, UPB
FINISH GROUP 3: AB, ABZ, AC, AMB, AP, CB, DAB, DAC, DAMB, DAP, MAB, MAC, MAP, ORB, PC, TB

PRECIOUS METALS: PG, SG - 30% increase from Group 3*
STAINLESS STEEL: SS
SPLIT FINISHES: SEE PAGE 32

*Pricing subject to change

HUNLEY GOLD ONLY FILTRATION FAUCET

LIST PRICES:

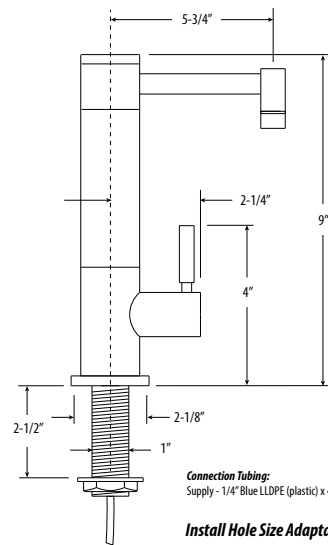
GRP 1	993
GRP 2	1042
GRP 3	1358
SS	1395

MEETS THE FOLLOWING:

- ASME A112.18.1
- CSA B125.1
- NSF 61, 372
- CALGreen
- ADA Compliant

FEATURES:

- Cold filtered water on demand.
- For use with Waterstone Filtration System.
- Straight spout has 5-3/4" reach and can swivel 360 degrees.
- 1.1 gpm maximum flow rate.
- Ergonomic single lever handle.
- Compatible with reverse osmosis water and systems.
- Made from solid brass or 316 stainless steel.
- 1/4 turn ceramic disk valve cartridge.
- 1/4" compression connection.



1900C

HUNLEY HOT ONLY FILTRATION FAUCET

LIST PRICES:

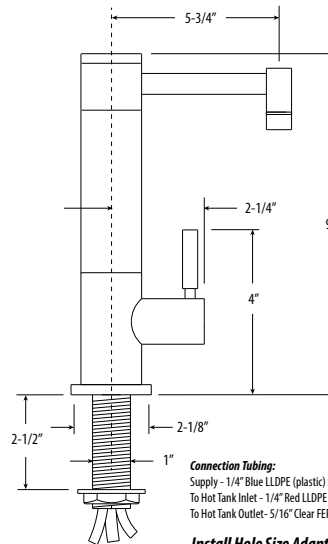
GRP 1	1052
GRP 2	1103
GRP 3	1438
SS	1477

MEETS THE FOLLOWING:

- ASME A112.18.1
- CSA B125.1
- NSF 61, 372
- CALGreen
- ADA Compliant

FEATURES:

- Instant hot water on demand.
- For use with Waterstone Insta-Hot System.
- Straight spout has 5-3/4" reach and can swivel 360 degrees.
- 1.1 gpm maximum flow rate.
- Ergonomic single lever handle.
- Compatible with reverse osmosis water and systems.
- Made from eco-friendly solid brass or 316 stainless steel.
- 1/4 turn ceramic disk valve cartridge.



1900H

HUNLEY HOT AND COLD FILTRATION FAUCET

LIST PRICES:

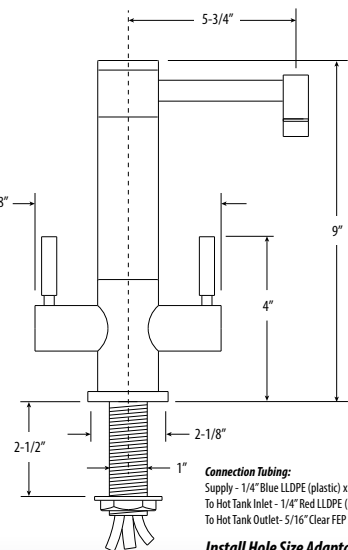
GRP 1	1115
GRP 2	1171
GRP 3	1526
SS	1567

MEETS THE FOLLOWING:

- ASME A112.18.1
- CSA B125.1
- NSF 61, 372
- CALGreen
- ADA Compliant

FEATURES:

- Hot and cold filtered water on demand.
- For use with Waterstone Ultimate Filtration System.
- Straight spout has 5-3/4" reach and can swivel 360 degrees.
- 1.1 gpm maximum flow rate.
- Ergonomic dual lever handles.
- Compatible with reverse osmosis water and systems.
- Made from eco-friendly solid brass or 316 stainless steel.
- 1/4 turn ceramic disk valve cartridges.

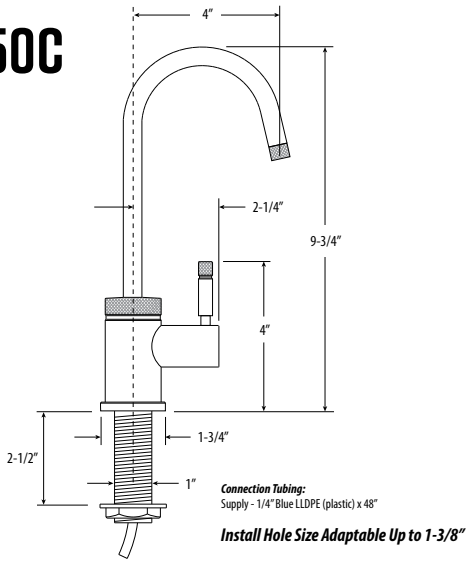


1900HC

FILTRATION FAUCETS

FILTRATION FAUCETS

1450C



INDUSTRIAL COLD ONLY FILTRATION FAUCET / C-SPOUT

LIST PRICES:

GRP 1	752
GRP 2	791
GRP 3	1031
SS	1058

MEETS THE FOLLOWING:

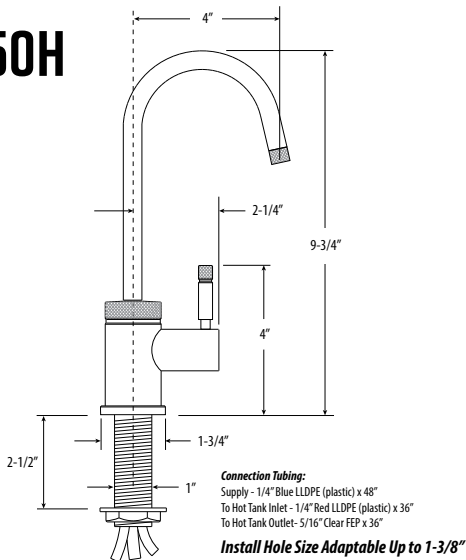
- ASME A112.18.1
- CSA B125.1
- NSF 61, 372
- CALGreen
- ADA Compliant

FEATURES:

- Cold filtered water on demand.
- For use with Waterstone Filtration System.
- Matches all Waterstone industrial style faucets and accessories.
- C-spout has 4" reach and can swivel 360 degrees.
- 1.1 gpm maximum flow rate.
- Ergonomic single lever handle.
- Compatible with reverse osmosis water and systems.
- Made from solid brass or 316 stainless steel.
- 1/4 turn ceramic disk valve cartridge.
- 1/4" x 48" blue plastic supply line.



1450H



INDUSTRIAL HOT ONLY FILTRATION FAUCET / C-SPOUT

LIST PRICES:

GRP 1	824
GRP 2	866
GRP 3	1127
SS	1158

MEETS THE FOLLOWING:

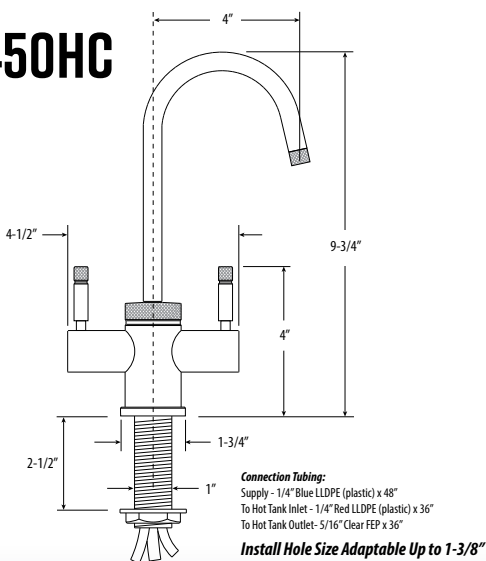
- ASME A112.18.1
- CSA B125.1
- NSF 61, 372
- CALGreen
- ADA Compliant

FEATURES:

- Instant hot water on demand.
- For use with Waterstone Insta-Hot System.
- Matches all Waterstone industrial style faucets and accessories.
- C-spout has 4" reach and can swivel 360 degrees.
- 1.1 gpm maximum flow rate.
- Ergonomic single lever handle.
- Compatible with reverse osmosis water and systems.
- Made from eco-friendly solid brass or 316 stainless steel.
- 1/4 turn ceramic disk valve cartridge.



1450HC



INDUSTRIAL HOT AND COLD FILTRATION FAUCET / C-SPOUT

LIST PRICES:

GRP 1	895
GRP 2	938
GRP 3	1224
SS	1257

MEETS THE FOLLOWING:

- ASME A112.18.1
- CSA B125.1
- NSF 61, 372
- CALGreen
- ADA Compliant

FEATURES:

- Hot and cold filtered water on demand.
- For use with Waterstone Ultimate Filtration System.
- Matches all Waterstone industrial style faucets and accessories.
- C-spout has 4" reach and can swivel 360 degrees.
- 1.1 gpm maximum flow rate.
- Ergonomic dual lever handles.
- Compatible with reverse osmosis water and systems.
- Made from solid brass or 316 stainless steel.
- 1/4 turn ceramic disk valve cartridge.



FINISH GROUP 1: CH

FINISH GROUP 2: BLN, CHB, CLZ, GR, MB, MW, PB, PN, SB, SC, SN, UPB

FINISH GROUP 3: AB, ABZ, AC, AMB, AP, CB, DAB, DAC, DAMB, DAP, MAB, MAC, MAP, ORB, PC, TB

PRECIOUS METALS: PG, SG - 30% increase from Group 3*

STAINLESS STEEL: SS

SPLIT FINISHES: SEE PAGE 32

*Pricing subject to change

INDUSTRIAL COLD ONLY FILTRATION FAUCET / 2 BEND U-SPOUT

1455C

LIST PRICES:

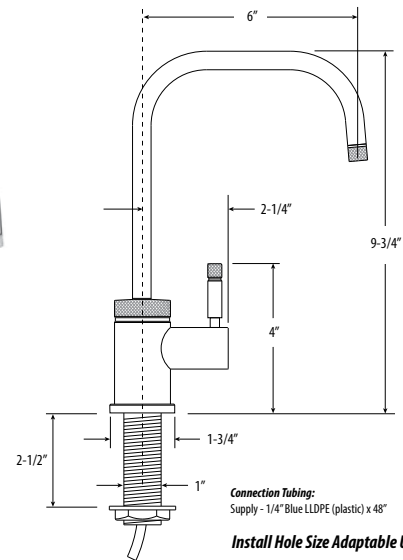
GRP 1	805
GRP 2	843
GRP 3	1100
SS	1130

MEETS THE FOLLOWING:

- ASME A112.18.1
- CSA B125.1
- NSF 61, 372
- CALGreen
- ADA Compliant

FEATURES:

- Cold filtered water on demand.
- For use with Waterstone Filtration System.
- Matches all Waterstone industrial style faucets and accessories.
- 2 bend U-spout has 6" reach and can swivel 360 degrees.
- 1.1 gpm maximum flow rate.
- Ergonomic single lever handle.
- Compatible with reverse osmosis water and systems.
- Made from eco-friendly solid brass or 316 stainless steel.
- 1/4 turn ceramic disk valve cartridge.
- 1/4" x 48" blue plastic supply line.



INDUSTRIAL HOT ONLY FILTRATION FAUCET / 2 BEND U-SPOUT

1455H

LIST PRICES:

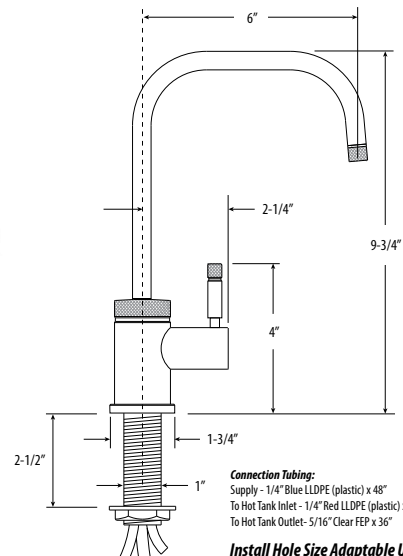
GRP 1	883
GRP 2	927
GRP 3	1207
SS	1240

MEETS THE FOLLOWING:

- ASME A112.18.1
- CSA B125.1
- NSF 61, 372
- CALGreen
- ADA Compliant

FEATURES:

- Instant hot water on demand.
- For use with Waterstone Insta-Hot System.
- Matches all Waterstone industrial style faucets and accessories.
- 2 bend U-spout has 6" reach and can swivel 360 degrees.
- 1.1 gpm maximum flow rate.
- Ergonomic single lever handle.
- Compatible with reverse osmosis water and systems.
- Made from eco-friendly solid brass or 316 stainless steel.
- 1/4 turn ceramic disk valve cartridge.



INDUSTRIAL HOT AND COLD FILTRATION FAUCET / 2 BEND U-SPOUT

1455HC

LIST PRICES:

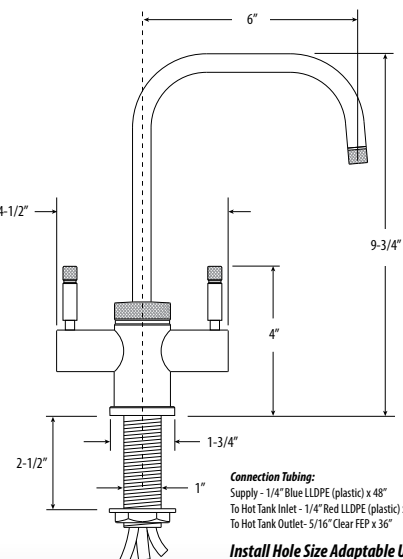
GRP 1	954
GRP 2	1003
GRP 3	1307
SS	1342

MEETS THE FOLLOWING:

- ASME A112.18.1
- CSA B125.1
- NSF 61, 372
- CALGreen
- ADA Compliant

FEATURES:

- Hot and cold filtered water on demand.
- For use with Waterstone Ultimate Filtration System.
- Matches all Waterstone industrial style faucets and accessories.
- 2 bend U-spout has 6" reach and can swivel 360 degrees.
- 1.1 gpm maximum flow rate.
- Ergonomic dual lever handles.
- Compatible with reverse osmosis water and systems.
- Made from solid brass or 316 stainless steel.
- 1/4 turn ceramic disk valve cartridges.



FINISH GROUP 1: CH

FINISH GROUP 2: BLN, CHB, CLZ, GR, MB, MW, PB, PN, SB, SC, SN, UPB

FINISH GROUP 3: AB, ABZ, AC, AMB, AP, CB, DAB, DAC, DAMB, DAP, MAB, MAC, MAP, ORB, PC, TB

PRECIOUS METALS: PG, SG - 30% increase from Group 3*

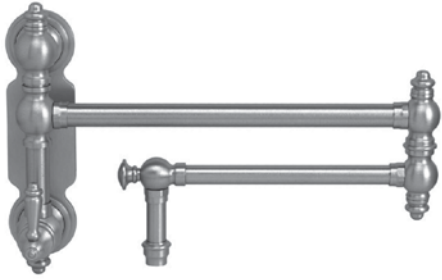
STAINLESS STEEL: SS

SPLIT FINISHES: SEE PAGE 32

*Pricing subject to change

POTFILLERS

WALL MOUNTED POTFILLERS



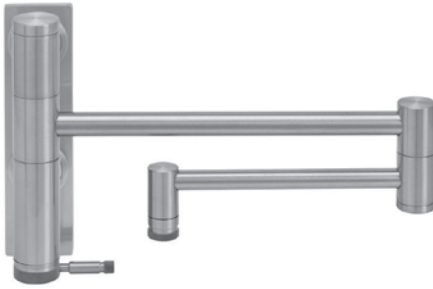
*Traditional Wall Mounted Potfiller - 3100
(pg. 195)*



*Traditional Wall Mounted Potfiller - 3150
(pg. 195)*

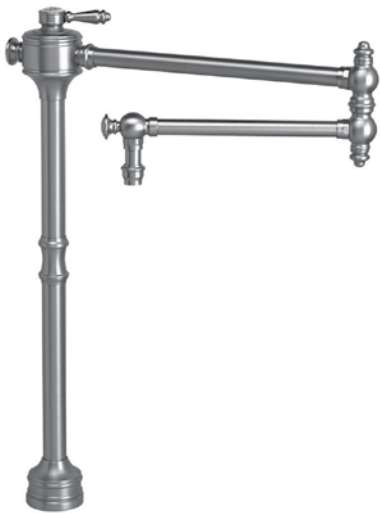


*Contemporary Wall Mounted Potfiller - 3200
(pg. 196)*



*Industrial Wall Mounted Potfiller - 3250
(pg. 196)*

COUNTER MOUNTED POTFILLERS



*Traditional Counter Mounted
Potfiller - 3300
(pg. 197)*



*Traditional Counter Mounted
Potfiller - 3350
(pg. 197)*



*Contemporary Counter Mounted
Potfiller - 3400
(pg. 197)*

3100

TRADITIONAL WALL MOUNTED POTFILLER / LEVER HANDLE

LIST PRICES:

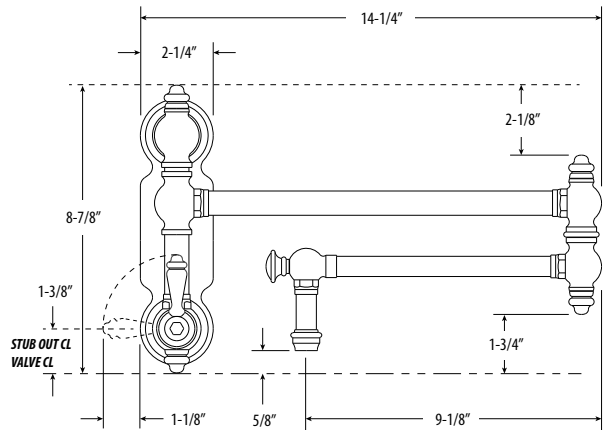
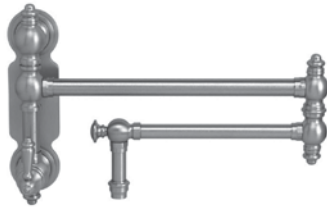
GRP 1	2009
GRP 2	2110
GRP 3	2750
SS	N/A

FEATURES:

- Cold water hook up.
- Stub-out connection 1/2" NPT.
- Articulated spout reach swings 22".
- Built-in check valve prevents dripping.
- 1.75 gpm maximum flow rate with aerated tip.
- 1/4 turn ceramic disk valve cartridge.
- Compatible with RO water and systems.

MEETS THE FOLLOWING:

- ASME A112.18.1
- CSA B125.1
- NSF 61, 372
- CALGreen
- ADA Compliant



POTFILLERS

3150

TRADITIONAL WALL MOUNTED POTFILLER / CROSS HANDLE

LIST PRICES:

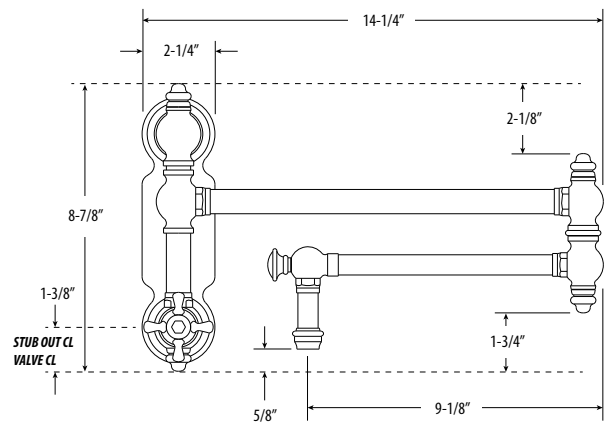
GRP 1	1920
GRP 2	2016
GRP 3	2625
SS	N/A

FEATURES:

- Cold water hook up.
- Stub-out connection 1/2" NPT.
- Articulated spout reach swings 22".
- Built-in check valve prevents dripping.
- 1.75 gpm maximum flow rate with aerated tip.
- 1/4 turn ceramic disk valve cartridge.
- Compatible with RO water and systems.

MEETS THE FOLLOWING:

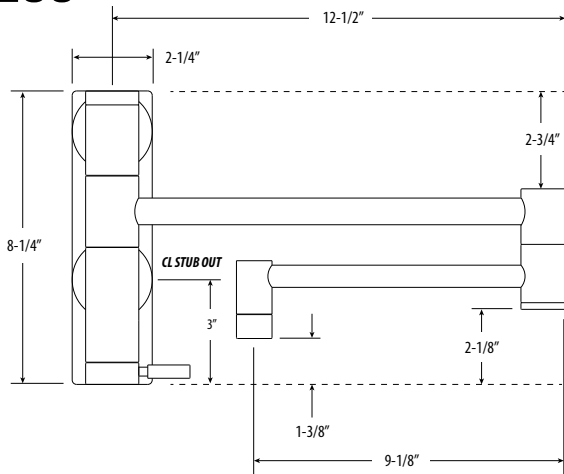
- ASME A112.18.1
- CSA B125.1
- NSF 61, 372
- CALGreen



WALL MOUNTED POTFILLERS

POTFILLERS

3200



CONTEMPORARY WALL MOUNTED POTFILLER

LIST PRICES:

GRP 1	1869
GRP 2	1962
GRP 3	2557
SS	2626

FEATURES:

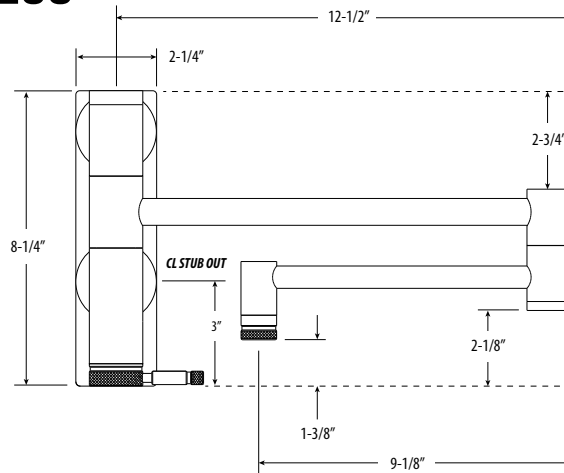
- Cold water hook up.
- Stub-out connection 1/2" NPT.
- Articulated spout reach swings 22".
- Built-in check valve prevents dripping.
- 1.75 gpm maximum flow rate with aerated tip.
- 1/4 turn ceramic disk valve cartridge.
- Compatible with RO water and systems.

MEETS THE FOLLOWING:

- ASME A112.18.1
- CSA B125.1
- NSF 61, 372
- CALGreen
- ADA Compliant



3250



INDUSTRIAL WALL MOUNTED POTFILLER

LIST PRICES:

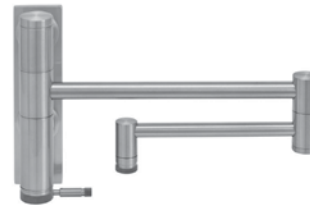
GRP 1	1927
GRP 2	2023
GRP 3	2638
SS	2708

FEATURES:

- Cold water hook up.
- Stub-out connection 1/2" NPT.
- Articulated spout reach swings 22".
- Built-in check valve prevents dripping.
- 1.75 gpm maximum flow rate with aerated tip.
- 1/4 turn ceramic disk valve cartridge.
- Compatible with RO water and systems.

MEETS THE FOLLOWING:

- ASME A112.18.1
- CSA B125.1
- NSF 61, 372
- CALGreen
- ADA Compliant



FINISH GROUP 1: CH
FINISH GROUP 2: BLN, CHB, CLZ, GR, MB, MW, PB, PN, SB, SC, SN, UPB
FINISH GROUP 3: AB, ABZ, AC, AMB, AP, CB, DAB, DAC, DAMB, DAP, MAB, MAC, MAP, ORB, PC, TB

PRECIOUS METALS: PG, SG - 30% increase from Group 3*
STAINLESS STEEL: SS
SPLIT FINISHES: SEE PAGE 32

TRADITIONAL COUNTER MOUNTED POTFILLER / LEVER HANDLE

3300

LIST PRICES:

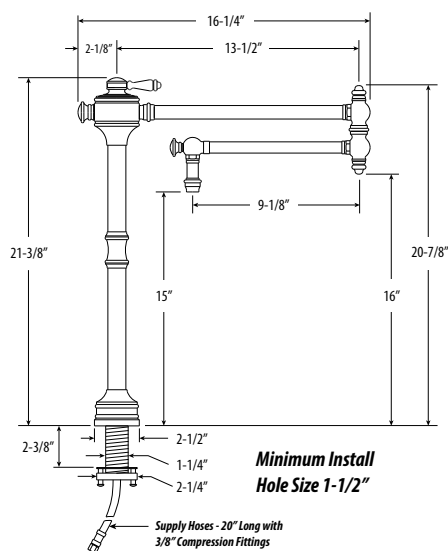
GRP 1	1998
GRP 2	2097
GRP 3	2733
SS	N/A

MEETS THE FOLLOWING:

- ASME A112.18.1
- CSA B125.1
- NSF 61, 372
- CALGreen
- ADA Compliant

FEATURES:

- Mounts on counter right next to stove.
- Cold water hook up.
- Articulated spout reach swings 22".
- Built-in check valve prevents dripping.
- 1.75 gpm maximum flow rate with aerated tip.
- 1/4 turn ceramic disk valve cartridge.
- Ergonomic single lever handle.
- Compatible with RO water and systems.
- Made from eco-friendly solid brass.



TRADITIONAL COUNTER MOUNTED POTFILLER / CROSS HANDLE

3350

LIST PRICES:

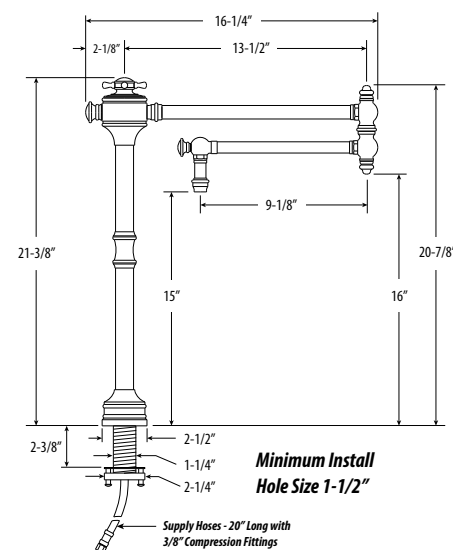
GRP 1	2128
GRP 2	2235
GRP 3	2912
SS	N/A

MEETS THE FOLLOWING:

- ASME A112.18.1
- CSA B125.1
- NSF 61, 372
- CALGreen

FEATURES:

- Mounts on counter right next to stove.
- Cold water hook up.
- Articulated spout reach swings 22".
- Built-in check valve prevents dripping.
- 1.75 gpm maximum flow rate with aerated tip.
- 1/4 turn ceramic disk valve cartridge.
- Ergonomic single cross handle.
- Compatible with RO water and systems.
- Made from eco-friendly solid brass.



CONTEMPORARY COUNTER MOUNTED POTFILLER

3400

LIST PRICES:

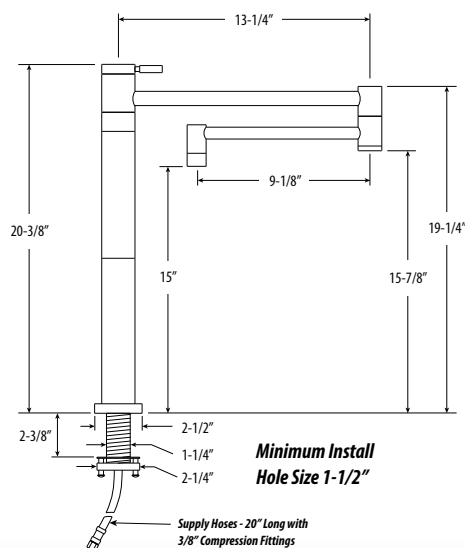
GRP 1	1998
GRP 2	2097
GRP 3	2733
SS	2807

MEETS THE FOLLOWING:

- ASME A112.18.1
- CSA B125.1
- NSF 61, 372
- CALGreen
- ADA Compliant

FEATURES:

- Mounts on counter right next to stove.
- Cold water hook up.
- Articulated spout reach swings 22".
- Built-in check valve prevents dripping.
- 1.75 gpm maximum flow rate with aerated tip.
- 1/4 turn ceramic disk valve cartridge.
- Single lever handle.
- Compatible with reverse osmosis water and systems.
- Made from solid brass or 316 stainless steel.
- Reinforced braided connection hose.



FINISH GROUP 1: CH
 FINISH GROUP 2: BLN, CHB, CLZ, GR, MB, MW, PB, PN, SB, SC, SN, UPB
 FINISH GROUP 3: AB, ABZ, AC, AMB, AP, CB, DAB, DAC, DAMB, DAP, MAB, MAC, MAP, ORB, PC, TB

PRECIOUS METALS: PG, SG - 30% increase from Group 3*
 STAINLESS STEEL: SS
 SPLIT FINISHES: SEE PAGE 32

*Pricing subject to change

ACCESSORIES

AIR SWITCHES



*Traditional Air Switch - 4010
(pg. 203)*



*Contemporary Air Switch - 3010
(pg. 203)*



*Industrial Air Switch - 9010
(pg. 203)*

AIR GAPS



*Traditional Single Port Air Gap -
4020
(pg. 200)*



*Traditional Dual Port Air Gap -
4030
(pg. 201)*



*Contemporary Single Port Air Gap -
3020
(pg. 200)*



*Contemporary Dual Port Air Gap -
3030
(pg. 201)*



*Industrial Single Port Air Gap -
9020
(pg. 200)*



*Industrial Dual Port Air Gap -
9030
(pg. 201)*



*Traditional RO Air Gap -
2100
(pg. 202)*



*Contemporary RO Air Gap -
2200
(pg. 202)*

SOAP/LOTION DISPENSERS



*Traditional Soap/Lotion
Dispensers - 4060, 4060E
(pg. 204)*



*Traditional Soap/Lotion
Dispensers - 4055, 4055E
(pg. 205)*



*Contemporary Soap/Lotion
Dispensers - 4065, 4065E
(pg. 206)*



*Industrial Soap/Lotion
Dispensers - 9065, 9065E
(pg. 207)*

SIDE SPRAYS



*Traditional Side Spray - 4025
(pg. 208)*



*Contemporary Side Spray - 3025
(pg. 208)*

ESCUTCHEON PLATES



*Traditional 6" Escutcheon
Plate - 4783
(pg. 211)*



*Traditional 10" Escutcheon
Plate - 4784
(pg. 211)*



*Contemporary 6" Escutcheon
Plate - 3783
(pg. 210)*



*Contemporary 10" Escutcheon
Plate - 3784
(pg. 210)*

HOLE COVERS



*Traditional Hole Cover - 4070
(pg. 209)*



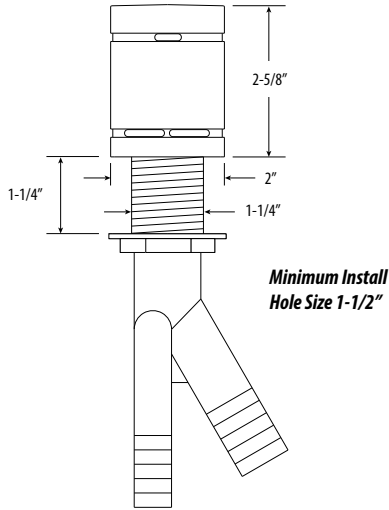
*Traditional Hole Cover - 4080
(pg. 209)*



*Contemporary Hole Cover - 3070
(pg. 209)*

SINGLE PORT AIR GAPS

3020



CONTEMPORARY SINGLE PORT AIR GAP

LIST PRICES:

GRP 1	285
GRP 2	299
GRP 3	389
SS	400

FEATURES:

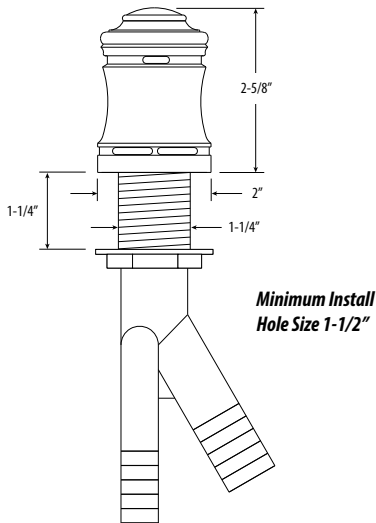
- Prevents dishwasher back flow and dirt buildup.
- Matches all contemporary Waterstone faucets.
- Cover hides upper nut and washer edges.
- Made from solid brass or 316 stainless steel.



MEETS THE FOLLOWING:

- UPC

4020



TRADITIONAL SINGLE PORT AIR GAP

LIST PRICES:

GRP 1	316
GRP 2	331
GRP 3	431
SS	N/A

FEATURES:

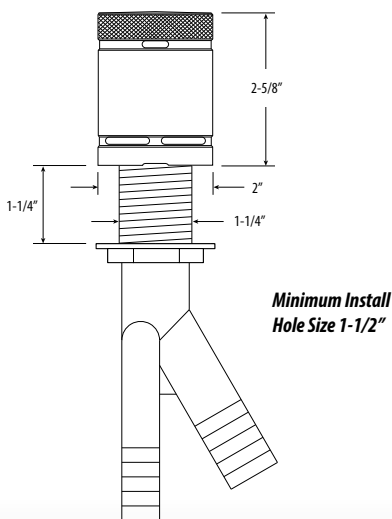
- Prevents dishwasher back flow and dirt buildup.
- Matches all traditional Waterstone faucets.
- Cover hides upper nut and washer edges.
- Made from eco-friendly solid brass.
- Includes 2 accent button options.



MEETS THE FOLLOWING:

- UPC

9020



INDUSTRIAL SINGLE PORT AIR GAP

LIST PRICES:

GRP 1	297
GRP 2	312
GRP 3	407
SS	417

FEATURES:

- Prevents dishwasher back flow and dirt buildup.
- Modern knurling design matches any Industrial PLP Pull-down Faucet.
- Cover hides upper nut and washer edges.
- Made from eco-friendly solid brass or 316 stainless steel.



MEETS THE FOLLOWING:

- UPC

3030

CONTEMPORARY DUAL PORT AIR GAP

LIST PRICES:

GRP 1	341
GRP 2	358
GRP 3	466
SS	480

MEETS THE FOLLOWING:

- UPC

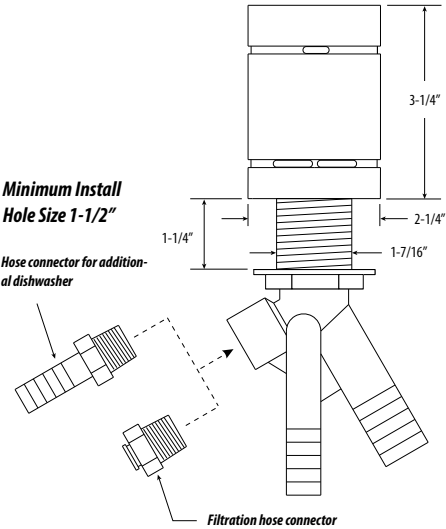
FEATURES:

- Prevents dishwasher back flow and dirt buildup.
- Includes adapters for either a 2nd dishwasher or a reverse osmosis filtration port.
- Matches all contemporary Waterstone faucets.
- Cover hides upper nut and washer edges.
- Made from solid brass or 316 stainless steel.



Minimum Install Hole Size 1-1/2"

Hose connector for additional dishwasher



TRADITIONAL DUAL PORT AIR GAP

LIST PRICES:

GRP 1	340
GRP 2	357
GRP 3	465
SS	N/A

MEETS THE FOLLOWING:

- UPC

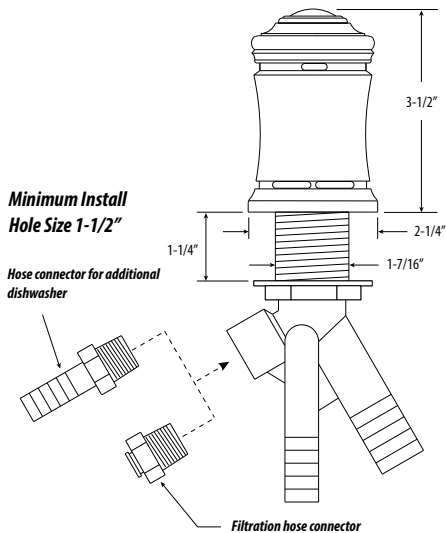
FEATURES:

- Prevents dishwasher back flow and dirt buildup.
- Includes adapters for either a 2nd dishwasher or a reverse osmosis filtration port.
- Matches all traditional Waterstone faucets.
- Cover hides upper nut and washer edges.
- Made from eco-friendly solid brass.
- Includes 2 accent button options.



Minimum Install Hole Size 1-1/2"

Hose connector for additional dishwasher



4030

ACCESSORIES

INDUSTRIAL DUAL PORT AIR GAP

LIST PRICES:

GRP 1	363
GRP 2	381
GRP 3	497
SS	509

MEETS THE FOLLOWING:

- UPC

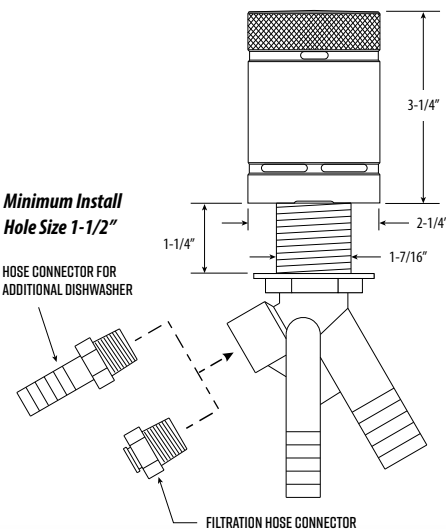
FEATURES:

- Prevents dishwasher back flow and dirt buildup.
- Includes adapters for either a 2nd dishwasher or a reverse osmosis filtration port.
- Modern knurling design matches any Industrial PLP Pull-down Faucet.
- Cover hides upper nut and washer edges.
- Made from solid brass or 316 stainless steel.



Minimum Install Hole Size 1-1/2"

HOSE CONNECTOR FOR ADDITIONAL DISHWASHER



9030

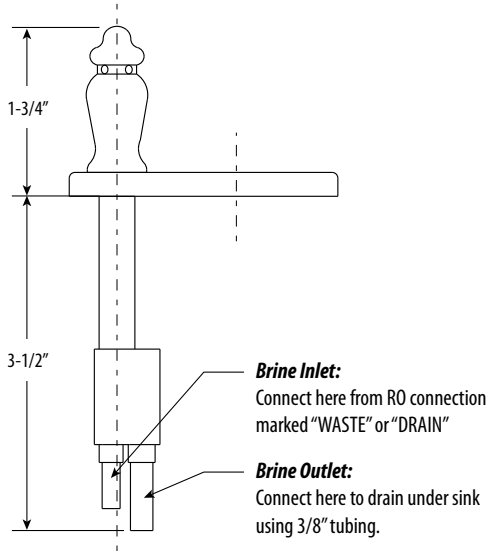
FINISH GROUP 1: CH
FINISH GROUP 2: BLN, CHB, CLZ, GR, MB, MW, PB, PN, SB, SC, SN, UPB
FINISH GROUP 3: AB, ABZ, AC, AMB, AP, CB, DAB, DAC, DAMB, DAP, MAB, MAC, MAP, ORB, PC, TB

PRECIOUS METALS: PG, SG - 30% increase from Group 3*
STAINLESS STEEL: SS
SPLIT FINISHES: SEE PAGE 32

*Pricing subject to change

AIR GAPS

2100



TRADITIONAL REVERSE OSMOSIS AIR GAP

LIST PRICES:

GRP 1	385
GRP 2	404
GRP 3	527
SS	N/A

MEETS THE FOLLOWING:

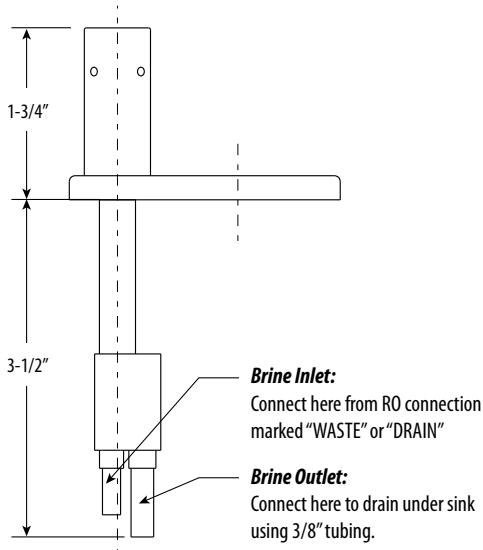
- ASME A112.18.1
- CSA B125.1

FEATURES:

- Prevents brine water or dirt back into your reverse osmosis filtration system.
- Designed for use with all traditional Waterstone Filtration Faucets.
- Made with eco-friendly solid brass.



2200



CONTEMPORARY REVERSE OSMOSIS AIR GAP

LIST PRICES:

GRP 1	366
GRP 2	385
GRP 3	500
SS	515

MEETS THE FOLLOWING:

- ASME A112.18.1
- CSA B125.1

FEATURES:

- Prevents brine water or dirt back into your reverse osmosis filtration system.
- Designed for use with all contemporary Waterstone Filtration Faucets.
- Made with solid brass or 316 stainless steel.



3010

CONTEMPORARY AIR SWITCH

LIST PRICES:

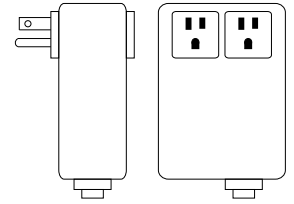
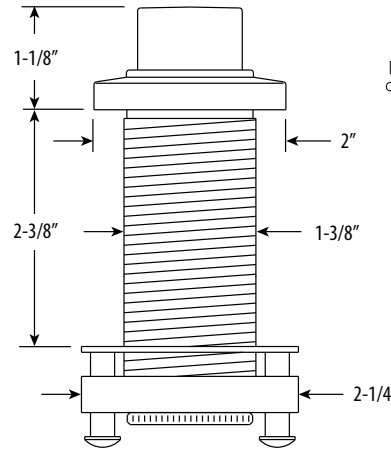
GRP 1	449
GRP 2	472
GRP 3	615
SS	632

MEETS THE FOLLOWING:

- UL (Connection box)
- CSA Enclosure Type 2
- ADA Compliant

FEATURES:

- Air-activated garbage disposal switch.
- Convenient alternative to a wall switch.
- Great for kitchen sink, kitchen island or counter tops.
- Includes two-outlet control box and tubing.
- Isolated from electrical connections.
- Made from solid brass or 316 stainless steel.



Connection Box
 4-1/4" H x 3" W x 2" D
 120v 15Amp 1Hp
 9-1/2' Tubing included
Minimum hole diameter 1-1/2"

TRADITIONAL AIR SWITCH

LIST PRICES:

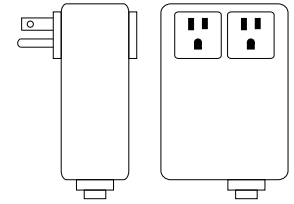
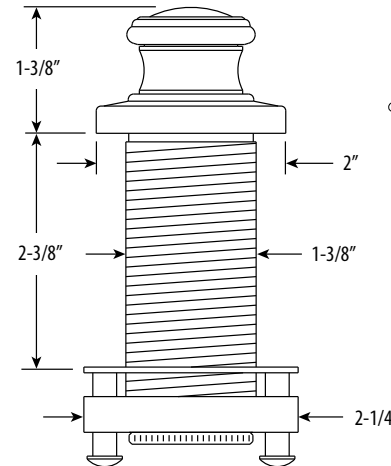
GRP 1	496
GRP 2	522
GRP 3	680
SS	N/A

MEETS THE FOLLOWING:

- UL (Connection box)
- CSA Enclosure Type 2
- ADA Compliant

FEATURES:

- Air-activated garbage disposal switch.
- Convenient alternative to a wall switch.
- Great for kitchen sink, kitchen island or counter tops.
- Includes two-outlet control box and tubing.
- Isolated from electrical connections.
- Made from eco-friendly solid brass.
- Simplifies first time disposer installations.
- Easily replaceable air pump.
- Includes 2 accent button options.



Connection Box
 4-1/4" H x 3" W x 2" D
 120v 15Amp 1Hp
 9-1/2' Tubing included
Minimum hole diameter 1-1/2"

INDUSTRIAL AIR SWITCH

LIST PRICES:

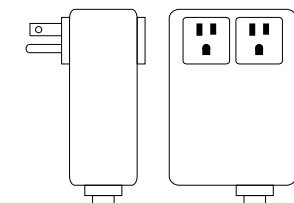
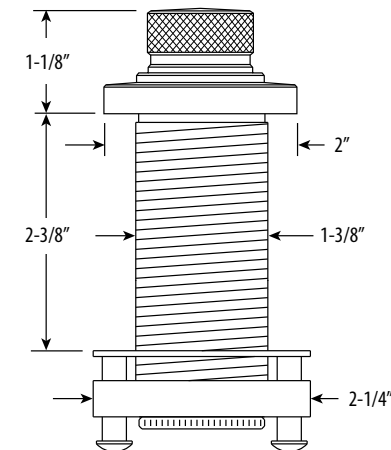
GRP 1	453
GRP 2	476
GRP 3	620
SS	636

MEETS THE FOLLOWING:

- UL (Connection box)
- CSA Enclosure Type 2
- ADA Compliant

FEATURES:

- Air-activated garbage disposal switch.
- Convenient alternative to a wall switch.
- Great for kitchen sink, kitchen island or counter tops.
- Includes two-outlet control box and tubing.
- Isolated from electrical connections.
- Made from solid brass or 316 stainless steel.
- Simplifies first time disposer installations.
- Easily replaceable air pump.



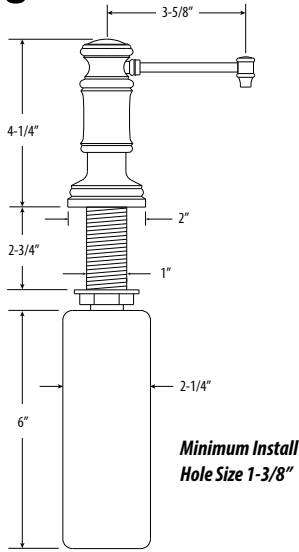
Connection Box
 4-1/4" H x 3" W x 2" D
 120v 15Amp 1Hp
 Tubing included
Minimum hole diameter 1-1/2"

ACCESSORIES

FINISH GROUP 1: CH
FINISH GROUP 2: BLN, CHB, CLZ, GR, MB, MW, PB, PN, SB, SC, SN, UPB
FINISH GROUP 3: AB, ABZ, AC, AMB, AP, CB, DAB, DAC, DAMB, DAP, MAB, MAC, MAP, ORB, PC, TB

PRECIOUS METALS: PG, SG - 30% increase from Group 3*
STAINLESS STEEL: SS
SPLIT FINISHES: SEE PAGE 32

4055



TRADITIONAL SOAP/LOTION DISPENSER / STRAIGHT SPOUT

LIST PRICES:

GRP 1	564
GRP 2	592
GRP 3	771
SS	N/A

MEETS THE FOLLOWING:

- ASME A112.18.1
- CSA B125.1
- NSF 61
- CALGreen

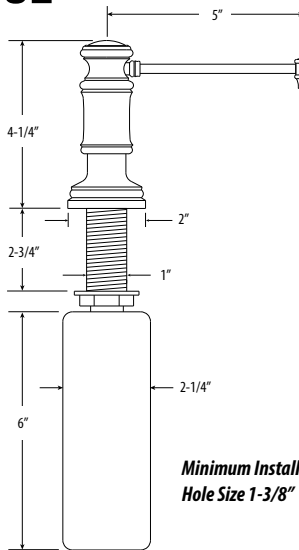
FEATURES:

- 3-5/8" reach spout.
- Replaces unsightly soap bottles.
- Pump can be removed to refill soap from top of sink.
- Solid feel, smooth non-wobble pump action feel.
- High volume 2cc pump.
- Straight spout design is ideal for the Towson Suite.
- Anti-wick tip helps protect delicate patina finishes.
- Made from eco-friendly solid brass.
- 12 oz. capacity (approx).
- Includes 3 choices of accent buttons.



ACCESSORIES

4055E



TRADITIONAL SOAP/LOTION DISPENSER / EXTENDED STRAIGHT SPOUT

LIST PRICES:

GRP 1	592
GRP 2	622
GRP 3	810
SS	N/A

MEETS THE FOLLOWING:

- ASME A112.18.1
- CSA B125.1
- NSF 61
- CALGreen

FEATURES:

- 5" extended reach spout.
- Replaces unsightly soap bottles.
- Pump can be removed to refill soap from top of sink.
- Solid feel, smooth non-wobble pump action feel.
- High volume 2cc pump.
- Straight spout design is ideal for the Towson Suite.
- Anti-wick tip helps protect delicate patina finishes.
- Made from eco-friendly solid brass.
- 12 oz. capacity (approx).
- Includes 3 choices of accent buttons.



4060

TRADITIONAL SOAP/LOTION DISPENSER / HOOK SPOUT

LIST PRICES:

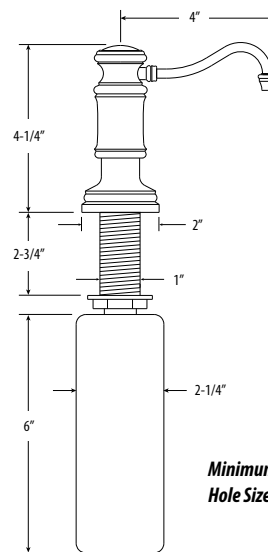
GRP 1	564
GRP 2	592
GRP 3	771
SS	N/A

MEETS THE FOLLOWING:

- ASME A112.18.1
- CSA B125.1
- NSF 61
- CALGreen

FEATURES:

- 4" reach spout.
- Replaces unsightly soap bottles.
- Pump can be removed to refill soap from top of sink.
- Solid feel, smooth non-wobble pump action feel.
- High volume 2cc pump.
- Hook spout design is ideal for all traditional faucets.
- Anti-wick tip helps protect delicate patina finishes.
- Made from eco-friendly solid brass.
- 12 oz. capacity (approx).
- Includes 3 choices of accent buttons.



Minimum Install Hole Size 1-3/8"

TRADITIONAL SOAP/LOTION DISPENSER / EXTENDED HOOK SPOUT

4060E

LIST PRICES:

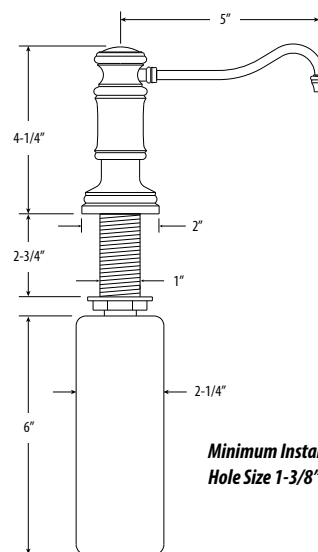
GRP 1	592
GRP 2	622
GRP 3	810
SS	N/A

MEETS THE FOLLOWING:

- ASME A112.18.1
- CSA B125.1
- NSF 61
- CALGreen

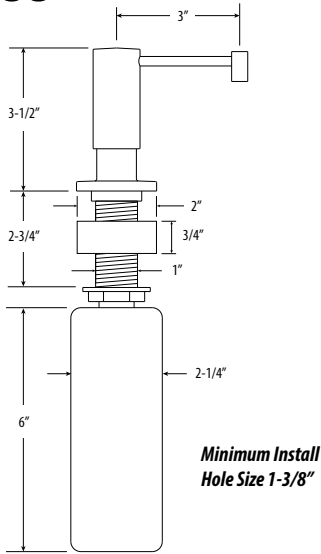
FEATURES:

- 5" extended reach spout.
- Replaces unsightly soap bottles.
- Pump can be removed to refill soap from top of sink.
- Solid feel, smooth non-wobble pump action feel.
- High volume 2cc pump.
- Hook spout design is ideal for all traditional faucets.
- Anti-wick tip helps protect delicate patina finishes.
- Made from eco-friendly solid brass.
- 12 oz. capacity (approx).
- Includes 3 choices of accent buttons.



Minimum Install Hole Size 1-3/8"

4065



CONTEMPORARY SOAP/LOTION DISPENSER

LIST PRICES:

GRP 1	477
GRP 2	501
GRP 3	653
SS	670

MEETS THE FOLLOWING:

- ASME A112.18.1
- CSA B125.1
- NSF 61
- CALGreen

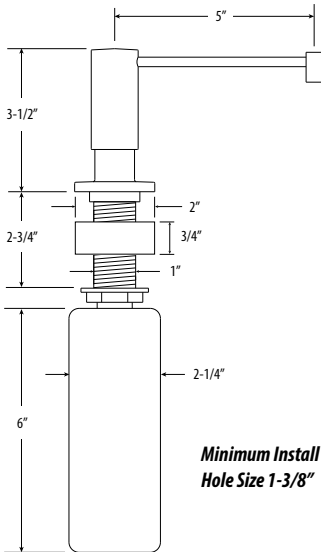
FEATURES:

- 3" reach spout.
- Replaces unsightly soap bottles.
- Pump can be removed to refill soap from top of sink.
- Solid feel, smooth non-wobble pump action feel.
- High volume 2cc pump.
- Straight spout design is ideal for all contemporary faucets.
- Anti-wick tip helps protect delicate patina finishes.
- Made from eco-friendly solid brass or 316 stainless steel.
- 12 oz. capacity (approx).



ACCESSORIES

4065E



CONTEMPORARY SOAP/LOTION DISPENSER / EXTENDED SPOUT

LIST PRICES:

GRP 1	501
GRP 2	526
GRP 3	686
SS	704

MEETS THE FOLLOWING:

- ASME A112.18.1
- CSA B125.1
- NSF 61
- CALGreen

FEATURES:

- 5" extended reach spout.
- Replaces unsightly soap bottles.
- Pump can be removed to refill soap from top of sink.
- Solid feel, smooth non-wobble pump action feel.
- High volume 2cc pump.
- Straight spout design is ideal for all contemporary faucets.
- Anti-wick tip helps protect delicate patina finishes.
- Made from eco-friendly solid brass or 316 stainless steel.
- 12 oz. capacity (approx).



9065

INDUSTRIAL SOAP/LOTION DISPENSER

LIST PRICES:

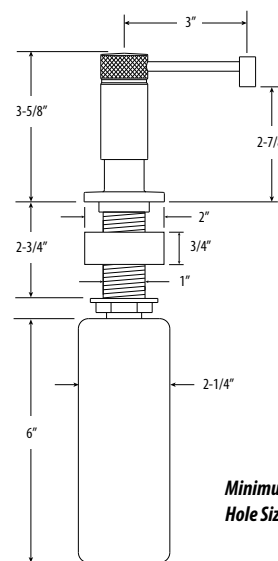
GRP 1	480
GRP 2	505
GRP 3	658
SS	675

MEETS THE FOLLOWING:

- ASME A112.18.1
- CSA B125.1
- NSF 61
- CALGreen

FEATURES:

- 3" reach spout.
- Modern knurling design matches any Industrial PLP Pulldown Faucet.
- Replaces unsightly soap bottles.
- High volume 2cc pump.
- Pump can be removed to refill soap from top of sink.
- Removable head for easy internal cleaning.
- Solid feel, smooth non-wobble pump action feel.
- Anti-wick tip helps protect delicate patina finishes.
- Made from eco-friendly solid brass or 316 stainless steel.
- 12 oz. capacity (approx).



Minimum Install Hole Size 1-3/8"

INDUSTRIAL SOAP/LOTION DISPENSER / EXTENDED SPOUT

9065E

LIST PRICES:

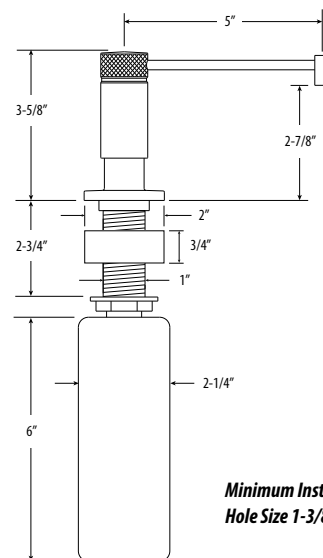
GRP 1	504
GRP 2	530
GRP 3	691
SS	709

MEETS THE FOLLOWING:

- ASME A112.18.1
- CSA B125.1
- NSF 61
- CALGreen

FEATURES:

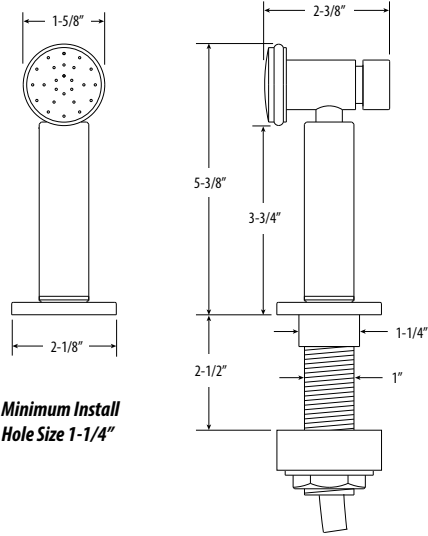
- 5" extended reach spout.
- Modern knurling design matches any Industrial PLP Pulldown Faucet.
- Replaces unsightly soap bottles.
- High volume 2cc pump.
- Pump can be removed to refill soap from top of sink.
- Removable head for easy internal cleaning.
- Solid feel, smooth non-wobble pump action feel.
- Anti-wick tip helps protect delicate patina finishes.
- Made from eco-friendly solid brass or 316 stainless steel.
- 12 oz. capacity (approx).



Minimum Install Hole Size 1-3/8"

SIDE SPRAYS

3025



Minimum Install Hole Size 1-1/4"

CONTEMPORARY SIDE SPRAY

LIST PRICES:

GRP 1	717
GRP 2	753
GRP 3	982
SS	1008

MEETS THE FOLLOWING:

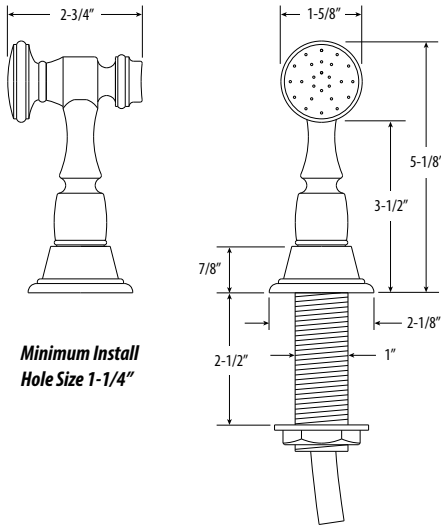
- ASME A112.18.1
- CSA B125.1
- NSF 61
- CALGreen

FEATURES:

- Works with all Waterstone contemporary Kitchen, Bridge and Prep Faucets.
- Ergonomic and fully insulated handle.
- Reaches every corner of the sink.
- No drip spray nozzle head.
- Large spray pattern.
- Made from solid brass or 316 stainless steel.
- Includes mounting base
- PTFE bump guard.
- 48" nylon reinforced connection hose.



4025



Minimum Install Hole Size 1-1/4"

TRADITIONAL SIDE SPRAY

LIST PRICES:

GRP 1	717
GRP 2	753
GRP 3	982
SS	N/A

MEETS THE FOLLOWING:

- ASME A112.18.1
- CSA B125.1
- NSF 61
- CALGreen

FEATURES:

- Works with all Waterstone traditional Kitchen, Bridge and Prep Faucets.
- Ergonomic and fully insulated handle.
- Reaches every corner of the sink.
- No drip spray nozzle head.
- Large spray pattern.
- Made from eco-friendly solid brass.
- Includes mounting base
- PTFE bump guard.
- 48" nylon reinforced connection hose.



ACCESSORIES

3080

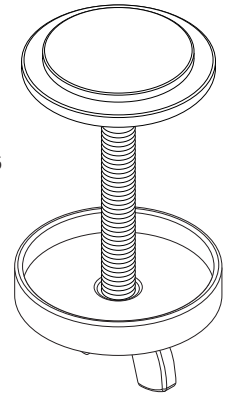
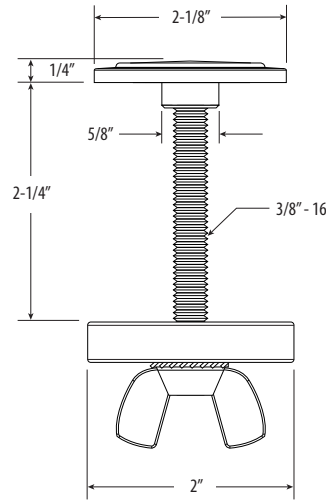
CONTEMPORARY HOLE COVER

LIST PRICES:

GRP 1	140
GRP 2	147
GRP 3	193
SS	196

FEATURES:

- 2-1/8" diameter covers standard size sink holes.
- Perfect for 2-holed Bridge Faucets.
- Mounting hardware included for easy installation.
- Made from solid brass or 316 stainless steel.
- Matches all contemporary Waterstone faucet Suites.



MEETS THE FOLLOWING:

- CALGreen

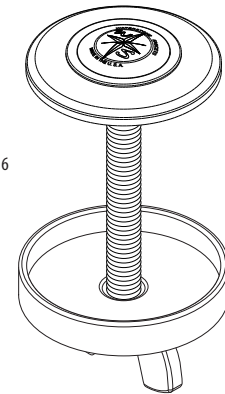
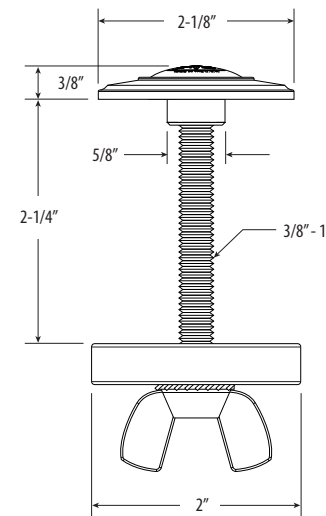
TRADITIONAL HOLE COVER / COMPASS BUTTON

LIST PRICES:

GRP 1	124
GRP 2	129
GRP 3	168
29	N/A

FEATURES:

- 2-1/8" diameter covers standard size sink holes.
- Perfect for 2-holed Bridge Faucets.
- Mounting hardware included for easy installation.
- Solid brass construction.
- Matches all traditional Waterstone faucet Suites.
- Stylish compass logo button.



4070

MEETS THE FOLLOWING:

- CALGreen

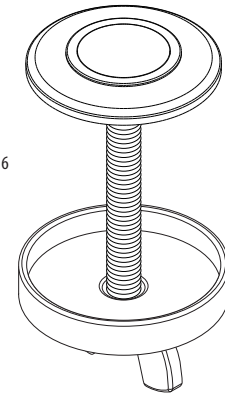
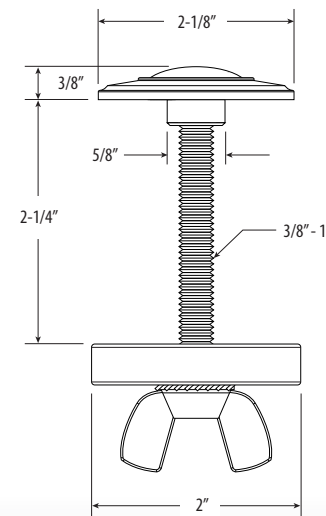
TRADITIONAL HOLE COVER / FINISH BUTTON

LIST PRICES:

GRP 1	129
GRP 2	136
GRP 3	178
SS	N/A

FEATURES:

- 2-1/8" diameter covers standard size sink holes.
- Perfect for 2-holed Bridge Faucets.
- Mounting hardware included for easy installation.
- Solid brass construction.
- Matches all traditional Waterstone faucet Suites.



4080

MEETS THE FOLLOWING:

- CALGreen

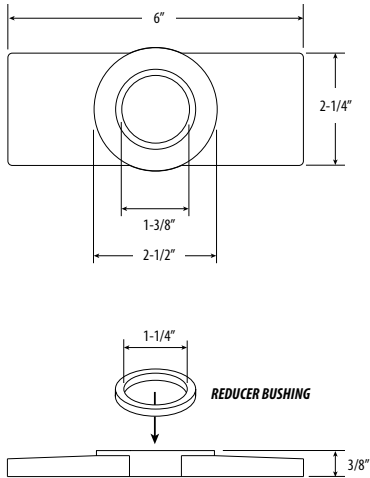
FINISH GROUP 1: CH
 FINISH GROUP 2: BLN, CHB, CLZ, GR, MB, MW, PB, PN, SB, SC, SN, UPB
 FINISH GROUP 3: AB, ABZ, AC, AMB, AP, CB, DAB, DAC, DAMB, DAP, MAB, MAC, MAP, ORB, PC, TB

PRECIOUS METALS: PG, SG - 30% increase from Group 3*
 STAINLESS STEEL: SS
 SPLIT FINISHES: SEE PAGE 32

*Pricing subject to change

ESCUTCHEON PLATES

3783



CONTEMPORARY 6" ESCUTCHEON PLATE

LIST PRICES:

GRP 1	274
GRP 2	288
GRP 3	375
SS	385

MEETS THE FOLLOWING:

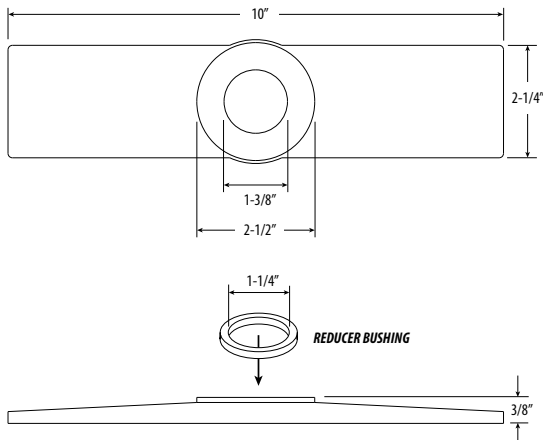
- CALGreen

FEATURES:

- 6" base plate for concealing extra faucet holes.
- Works with all contemporary Waterstone PLP, Gantry, Kitchen and Prep Faucets.
- Machine tapered top won't pool water.
- Made from a 3/8" thick solid brass or stainless steel plate.
- Plate will accept 1-3/8" or 1-1/4" mounting shanks.



3784



CONTEMPORARY 10" ESCUTCHEON PLATE

LIST PRICES:

GRP 1	330
GRP 2	346
GRP 3	450
SS	463

MEETS THE FOLLOWING:

- CALGreen

FEATURES:

- 10" base plate for concealing extra faucet holes.
- Works with all contemporary Waterstone PLP, Gantry, Kitchen and Prep Faucets.
- Machine tapered top won't pool water.
- Made from a 3/8" thick solid brass or stainless steel plate.
- Plate will accept 1-3/8" or 1-1/4" mounting shanks.



ACCESSORIES

FINISH GROUP 1: CH
FINISH GROUP 2: BLN, CHB, CLZ, GR, MB, MW, PB, PN, SB, SC, SN, UPB
FINISH GROUP 3: AB, ABZ, AC, AMB, AP, CB, DAB, DAC, DAMB, DAP, MAB, MAC, MAP, ORB, PC, TB

PRECIOUS METALS: PG, SG - 30% increase from Group 3*
STAINLESS STEEL: SS
SPLIT FINISHES: SEE PAGE 32

*Pricing subject to change

4783

TRADITIONAL 6" ESCUTCHEON PLATE

LIST PRICES:

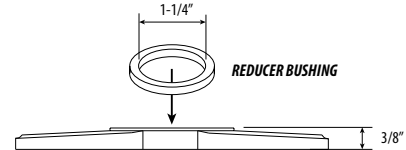
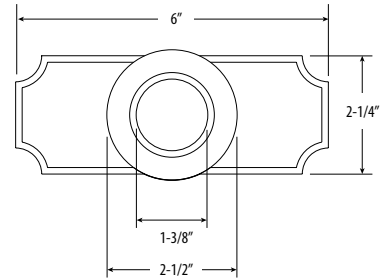
GRP 1	293
GRP 2	308
GRP 3	401
SS	N/A

MEETS THE FOLLOWING:

- CALGreen

FEATURES:

- 6" base plate for concealing extra faucet holes.
- Works with all traditional Waterstone PLP, Gantry, Kitchen and Prep Faucets.
- Machine tapered top won't pool water.
- Made from a 3/8" thick solid brass plate.
- Plate will accept 1-3/8" or 1-1/4" mounting shanks.



TRADITIONAL 10" ESCUTCHEON PLATE

4784

LIST PRICES:

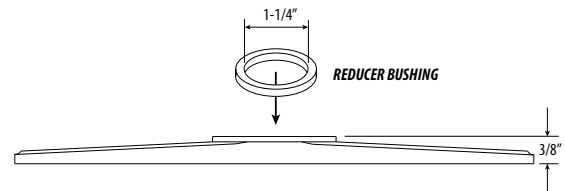
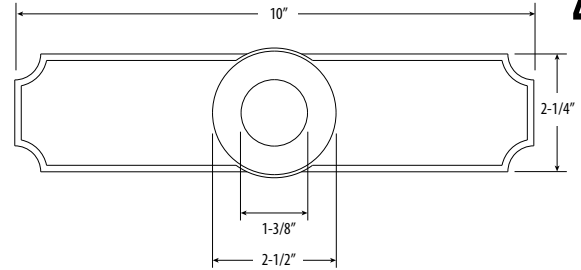
GRP 1	361
GRP 2	378
GRP 3	493
SS	N/A

MEETS THE FOLLOWING:

- CALGreen

FEATURES:

- 10" base plate for concealing extra faucet holes.
- Works with all traditional Waterstone PLP, Gantry, Kitchen and Prep Faucets.
- Machine tapered top won't pool water.
- Made from a 3/8" thick solid brass plate.
- Plate will accept 1-3/8" or 1-1/4" mounting shanks.



ACCESSORIES

UNDER SINK SYSTEMS



Ultimate System - 1000
(pg. 213)



Insta-Hot System - 2000
(pg. 213)



Filtration System - 3000
(pg. 213)



Hot Tank w/ PRV - 5000
(pg. 214)



Digital Hot Tank - 7000
(pg. 214)



Multi-Filtration Unit - 30101
(pg. 215)



Safety Valve Leak Detector - AS-414
(pg. 215)

UNDER SINK SYSTEMS

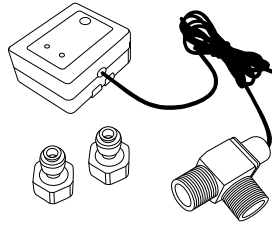
ULTIMATE UNDER SINK SYSTEM

LIST PRICE:

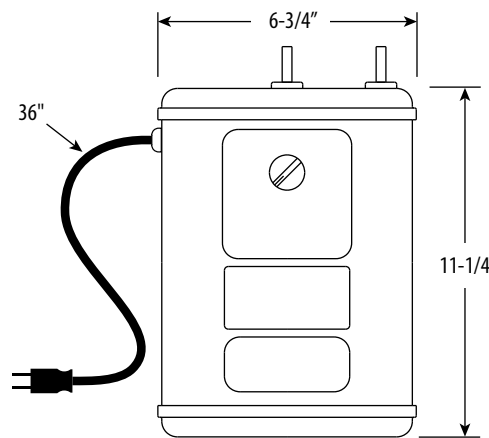
1225

FEATURES:

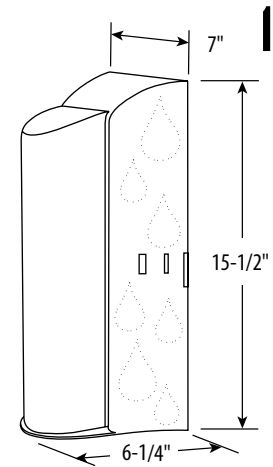
- Great tasting water with the security of leak detection in one package.
- Includes a Waterstone Hot Tank, Multi-Stage Filtration System and a Safety Valve Leak Detector.



AS-414 Safety Valve-Leak Detector



5000 Hot Tank



30101 Filtration Unit

1000

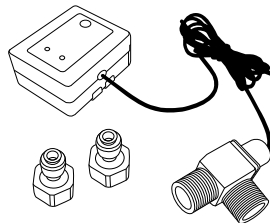
INSTA-HOT UNDER SINK SYSTEM

LIST PRICE:

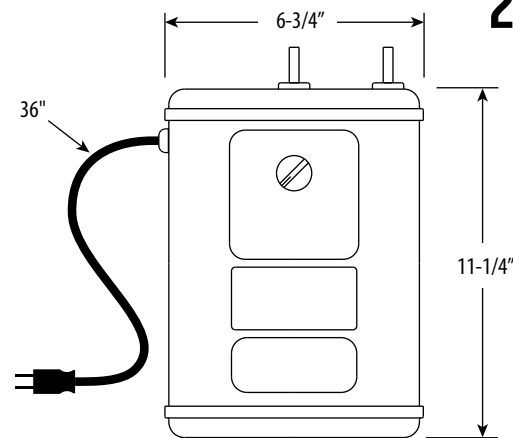
814

FEATURES:

- Instant hot water and leak detector in one package.
- Hot Tank dispenses hot water instantly.
- Includes Hot Tank, PRV (pressure regulator valve) and a Safety Valve Leak Detector.
- Leak Detector shuts off when moisture is detected.
- Compatible with reverse osmosis water and systems.
- Easy to install.
- Connection fittings included.
- The Hot Tank carries a 2 year warranty.



AS-414 Safety Valve-Leak Detector



5000 Hot Tank

2000

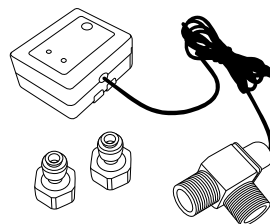
FILTRATION UNDER SINK SYSTEM

LIST PRICE:

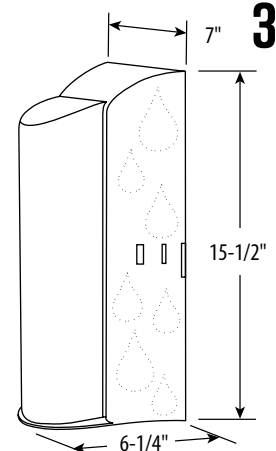
601

FEATURES:

- Great tasting, filtered water on demand.
- Removes sediment, chlorine, bad taste and odor from municipal drinking water.
- Includes a Waterstone Multi-Stage Filtration System and a Safety Valve Leak Detector.
- Leak Detector shuts off when moisture is detected.
- Compatible with reverse osmosis water and systems.
- Connection fittings included.
- Easy to install.



AS-414 Safety Valve-Leak Detector



30101 Filtration Unit

3000

FINISH GROUP 1: CH
FINISH GROUP 2: BLN, CHB, CLZ, GR, MB, MW, PB, PN, SB, SC, SN, UPB
FINISH GROUP 3: AB, ABZ, AC, AMB, AP, CB, DAB, DAC, DAMB, DAP, MAB, MAC, MAP, ORB, PC, TB

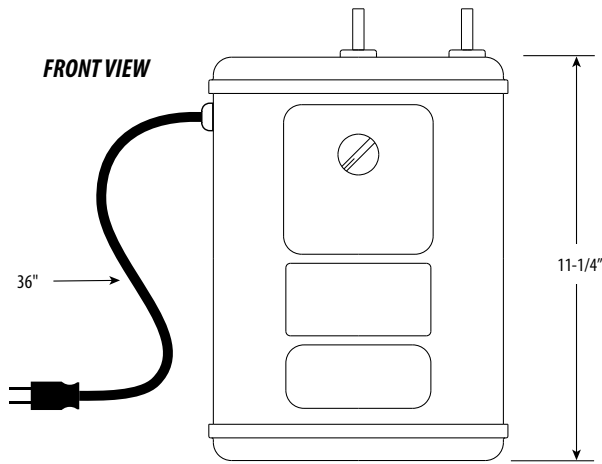
PRECIOUS METALS: PG, SG - 30% increase from Group 3*
STAINLESS STEEL: SS
SPLIT FINISHES: SEE PAGE 32

*Pricing subject to change

UNDER SINK SYSTEMS

UNDER SINK SYSTEMS

5000



HOT TANK

LIST PRICE:

684

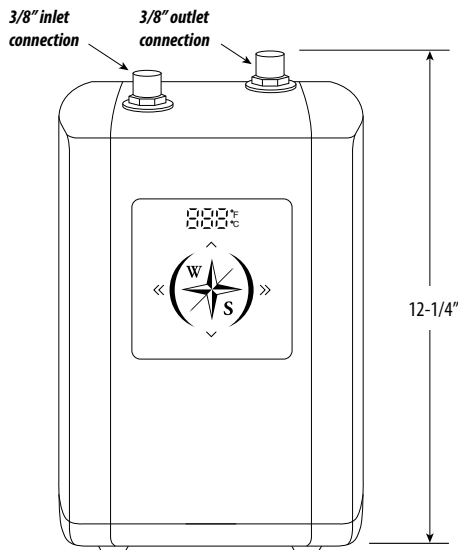
MEETS THE FOLLOWING:

- UL
- CSA

FEATURES:

- Instant hot water on demand.
- Perfect for hot coffee, tea, hot chocolate or soup.
- Up to 60 cups per hour capacity.
- Adjustable temperature 140F to 190F (60C to 88C).
- Integrated vent, works with any Waterstone Hot Only or Hot and Cold filtration faucet.
- Insulated 1/2 gal. stainless steel tank.
- Compatible with reverse osmosis water and systems.
- Includes Pressure Regulator Valve (PRV).
- Heating element - 1300 watts, 10.8 amps, 120 volts, 60 Hz.
- Inlet water pressure, 35 psi min, to 60 psi max.
- Minimum inlet volume (filter output), 1 gal / min.
- Made by Anaheim Manufacturing for Waterstone.
- Dimensions- 11-1/4"H x 6-3/4" W x 8-1/4" D.
- 2 year manufacturer warranty.

7000



DIGITAL HOT TANK

LIST PRICE:

725

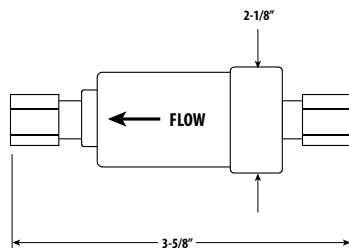
MEETS THE FOLLOWING:

- UL
- CSA

FEATURES:

- Instant hot water on demand.
- Dimensions: 8"L x 8"W x 12-1/4"H.
- Digital interface and temperature control.
- Precision temperature adjustment from 167F to 208F (75C to 98C).
- Insulated 1/2 gallon 304 stainless steel tank.
- Built-in inline Pressure Regulator Valve protects lifespan of internal parts.
- ABS plastic housing for lighter overall weight.
- Non-pressurized bladder system.
- Dry burn and over heat protection sensors.
- Auto shut off if low water or no water present.
- Sound insulation and rubber feet for noise reduction.
- Compatible with RO filtration systems.
- Heating element: 1500 watts, 120 volts.
- 3/8" inlet and outlet connections.
- 2 year manufacturer warranty.

4500



PRESSURE REGULATOR VALVE (PRV)

LIST PRICE:

161

MEETS THE FOLLOWING:

- NSF

FEATURES:

- Regulates water pressure to 60 psi maximum.
- Flows up to 4 gpm @ 100 psi.
- Required for all 5000 Hot Tank installations.
- 1/4" compression connections.
- Made from solid brass.

FINISH GROUP 1: CH
FINISH GROUP 2: BLN, CHB, CLZ, GR, MB, MW, PB, PN, SB, SC, SN, UPB
FINISH GROUP 3: AB, ABZ, AC, AMB, AP, CB, DAB, DAC, DAMB, DAP, MAB, MAC, MAP, ORB, PC, TB

PRECIOUS METALS: PG, SG - 30% increase from Group 3*
STAINLESS STEEL: SS
SPLIT FINISHES: SEE PAGE 32

*Pricing subject to change

SAFETY VALVE LEAK DETECTOR

AS-414

LIST PRICE:

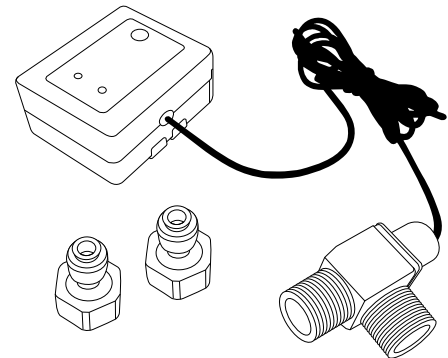
209

MEETS THE FOLLOWING:

- ASME A112.18.1
- CSA B125.1

FEATURES:

- Automatically shuts off water when moisture is detected.
- Audio alarm alerts when leak occur
- Colored LED indicators.
- Quick connect for easy installation.
- User friendly product design with one button reset.
- Has both 1/4" and 3/8" quick connect fittings included.
- Use with Waterstone Hot Tank and/or Multi-Stage Filtration unit.



MULTI-STAGE FILTRATION UNIT

30101

LIST PRICE:

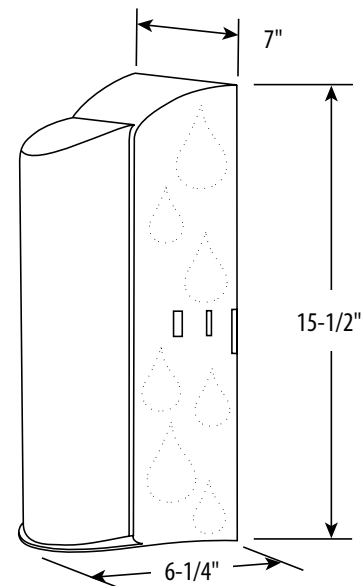
457

MEETS THE FOLLOWING:

- NSF

FEATURES:

- 1000 gallon capacity filtration system.
- Single cartridge multi-stage filter.
 - 1st Stage Filter - 20 Microns
 - 2nd Stage Filter - 5 Microns
 - 3rd Stage Filter - GAC
- Dimensions: 7" W x 6-1/4" D x 15-1/2" H.
- Unit Weight: 4.75 lbs.
- For municipal potable water use only
- Intake water pressure range: 40 psi to 100 psi max.
- Intake water temp. range: 32F to 120F max.
- Includes attachment tubing.
- Made to work with AS-414 Safety Valve Leak Detector.
- Manufactured by Nimbus Inc, and distributed by Waterstone Faucets.
- Manufacturer provided 1 year warranty.



UNDER SINK SYSTEMS

FILTRATION REPLACEMENT CARTRIDGES

30102
30102-2

LIST PRICES:

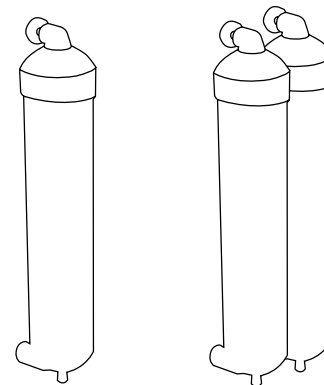
SINGLE	159
2 PACK	246

FEATURES:

- Single or dual pack replacement cartridge for #30101 Multi-Stage Filtration Unit.
- 1000 gallon capacity cartridge filtration system.

MEETS THE FOLLOWING:

- NSF



Single Filter

2-Pack

FINISH GROUP 1: CH
FINISH GROUP 2: BLN, CHB, CLZ, GR, MB, MW, PB, PN, SB, SC, SN, UPB
FINISH GROUP 3: AB, ABZ, AC, AMB, AP, CB, DAB, DAC, DAMB, DAP, MAB, MAC, MAP, ORB, PC, TB

PRECIOUS METALS: PG, SG - 30% increase from Group 3*
STAINLESS STEEL: SS
SPLIT FINISHES: SEE PAGE 32

*Pricing subject to change

HARDWARE

CABINET KNOBS



*Traditional Knob - HTK-001
(pg. 218)*



*Traditional Knob - HTK-002
(pg. 218)*



*Traditional Knob - HTK-003
(pg. 218)*



*Traditional Knob - HTK-004
(pg. 218)*



*Traditional Post Pull - HTK-005
(pg. 219)*



*Traditional T-Pull - HTK-006
(pg. 219)*



*Traditional T-Pull - HTK-007
(pg. 219)*



*Contemporary Post Pull - HCK-102
(pg. 220)*



*Contemporary T-Pull - HCK-103
(pg. 220)*



*Industrial 3 Spoke Knob - HIK-200
(pg. 221)*



*Contemporary Knob - HCK-100
(pg. 220)*



*Contemporary Knob - HCK-101
(pg. 220)*



*Industrial Knob - HIK-201
(pg. 221)*



*Industrial Knob - HIK-202
(pg. 221)*

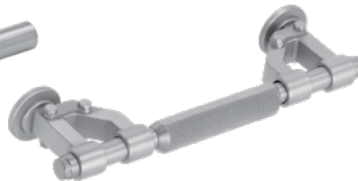
CABINET PULLS



Traditional Cabinet Pulls
(pg. 223)



Contemporary Cabinet Pulls
(pg. 223)

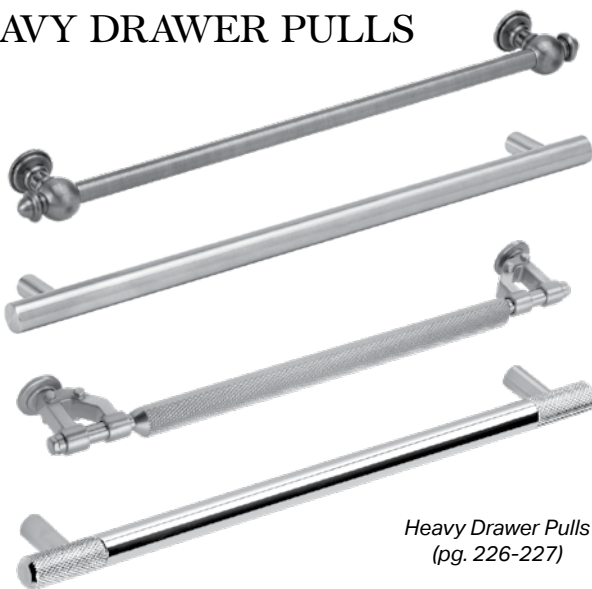


Industrial Cabinet Pulls
(pg. 224)



Modern Industrial Cabinet Pulls
(pg. 224)

HEAVY DRAWER PULLS



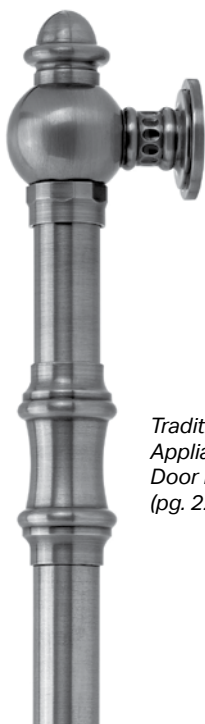
Heavy Drawer Pulls
(pg. 226-227)

BIN PULLS



Industrial Bin Pulls
(pg. 225)

APPLIANCE / DOOR PULLS



Traditional Appliance / Door Pulls
(pg. 228)



Contemporary Appliance / Door Pulls
(pg. 228)

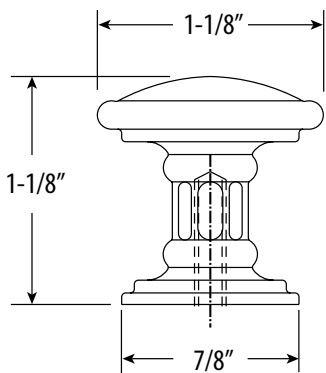


Industrial Appliance / Door Pulls
(pg. 229)



Modern Industrial Appliance / Door Pulls
(pg. 229)

HTK-001



TRADITIONAL SMALL PLAIN KNOB

LIST PRICES:

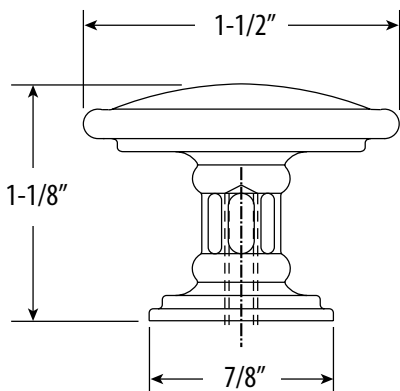
GRP 1	47
GRP 2	59
GRP 3	76
SS	N/A

FEATURES:

- 1-1/8" wide plain design.
- Matches all Waterstone Traditional Faucets.
- Made from solid brass.
- Includes mounting hardware.
- Fits materials from 1/4" to 1-1/2" thick.



HTK-002



TRADITIONAL LARGE PLAIN KNOB

LIST PRICES:

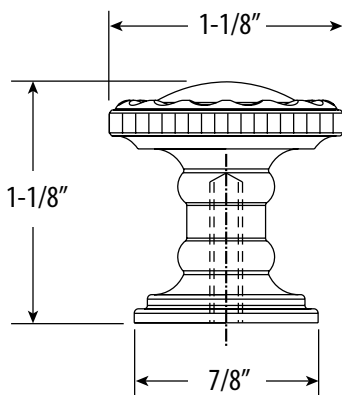
GRP 1	53
GRP 2	64
GRP 3	85
SS	N/A

FEATURES:

- 1-1/2" wide plain design.
- Matches all Waterstone Traditional Faucets.
- Made from solid brass.
- Includes mounting hardware.
- Fits materials from 1/4" to 1-1/2" thick.



HTK-003



TRADITIONAL SMALL DECORATIVE KNOB

LIST PRICES:

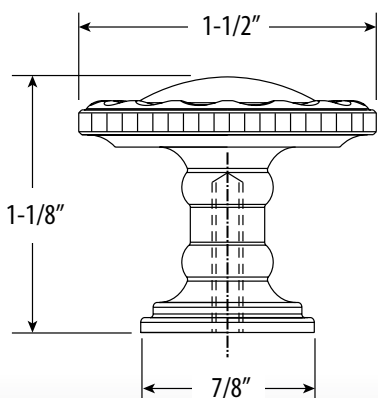
GRP 1	48
GRP 2	61
GRP 3	79
SS	N/A

FEATURES:

- 1-1/8" wide decorative design.
- Matches all Waterstone Traditional Faucets.
- Made from solid brass.
- Includes mounting hardware.
- Fits materials from 1/4" to 1-1/2" thick.



HTK-004



TRADITIONAL LARGE DECORATIVE KNOB

LIST PRICES:

GRP 1	56
GRP 2	67
GRP 3	89
SS	N/A

FEATURES:

- 1-1/2" wide decorative design.
- Matches all Waterstone Traditional Faucets.
- Made from solid brass.
- Includes mounting hardware.
- Fits materials from 1/4" to 1-1/2" thick.



TRADITIONAL POST PULL

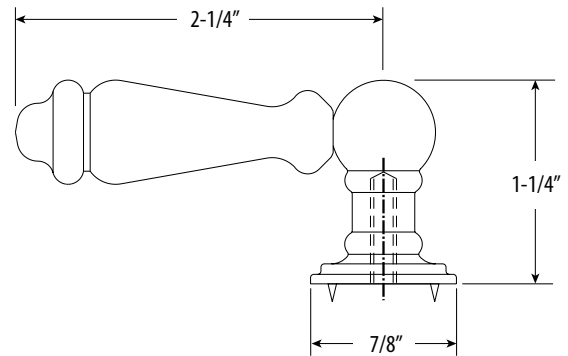
HTK-005

LIST PRICES:

GRP 1	80
GRP 2	105
GRP 3	137
SS	N/A

FEATURES:

- 2-1/4" wide decorative design.
- Matches all Waterstone Traditional Faucets.
- Made from solid brass.
- Includes mounting hardware.
- Fits materials from 1/4" to 1-1/2" thick.



TRADITIONAL SMALL T-PULL

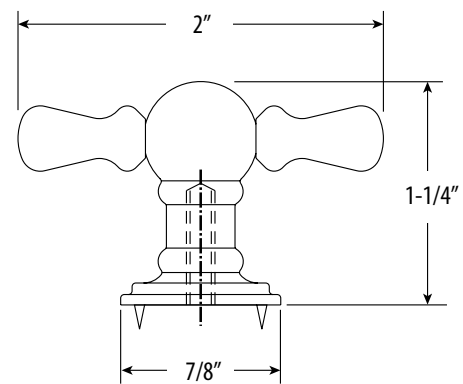
HTK-006

LIST PRICES:

GRP 1	93
GRP 2	118
GRP 3	156
SS	N/A

FEATURES:

- 2" wide decorative design.
- Matches all Waterstone Traditional Faucets.
- Made from solid brass.
- Includes mounting hardware.
- Fits materials from 1/4" to 1-1/2" thick.



TRADITIONAL LARGE T-PULL

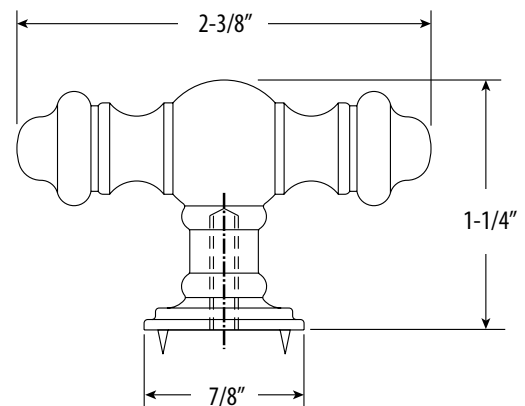
HTK-007

LIST PRICES:

GRP 1	98
GRP 2	121
GRP 3	158
SS	N/A

FEATURES:

- 2-3/8" wide decorative design.
- Matches all Waterstone Traditional Faucets.
- Made from solid brass.
- Includes mounting hardware.
- Fits materials from 1/4" to 1-1/2" thick.



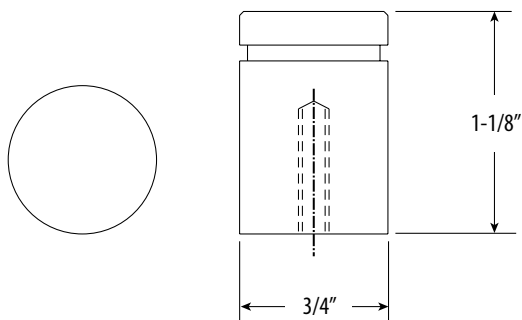
HARDWARE

FINISH GROUP 1: CH
 FINISH GROUP 2: BLN, CHB, CLZ, GR, MB, MW, PB, PN, SB, SC, SN, UPB
 FINISH GROUP 3: AB, ABZ, AC, AMB, AP, CB, DAB, DAC, DAMB, DAP, MAB, MAC, MAP, ORB, PC, TB

PRECIOUS METALS: PG, SG - 30% increase from Group 3*
 STAINLESS STEEL: SS
 SPLIT FINISHES: SEE PAGE 32

*Pricing subject to change

HCK-100



CONTEMPORARY SMALL KNOB

LIST PRICES:

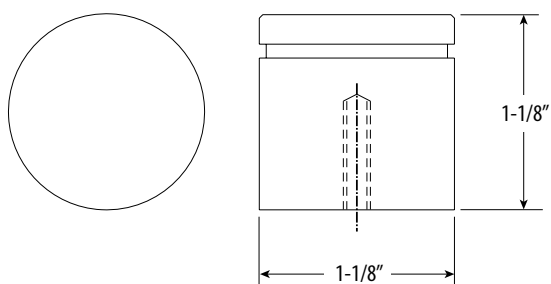
GRP 1	44
GRP 2	56
GRP 3	72
SS	77

FEATURES:

- 3/4" wide plain design.
- Matches all Waterstone Contemporary and Modern Faucets.
- Made from solid brass or 316 stainless steel.
- Includes mounting hardware.
- Fits materials from 1/4" to 1-1/2" thick.



HCK-101



CONTEMPORARY LARGE KNOB

LIST PRICES:

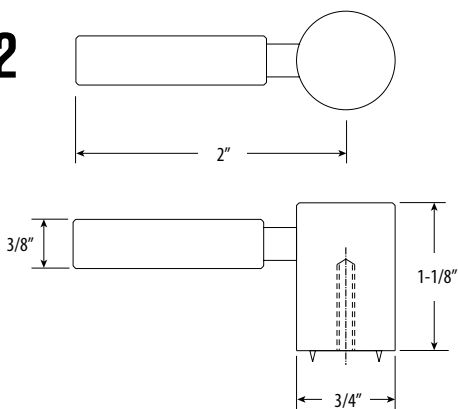
GRP 1	46
GRP 2	59
GRP 3	74
SS	79

FEATURES:

- 1-1/8" wide plain design.
- Matches all Waterstone Contemporary and Modern Faucets.
- Made from solid brass or 316 stainless steel.
- Includes mounting hardware.
- Fits materials from 1/4" to 1-1/2" thick.



HCK-102



CONTEMPORARY POST PULL

LIST PRICES:

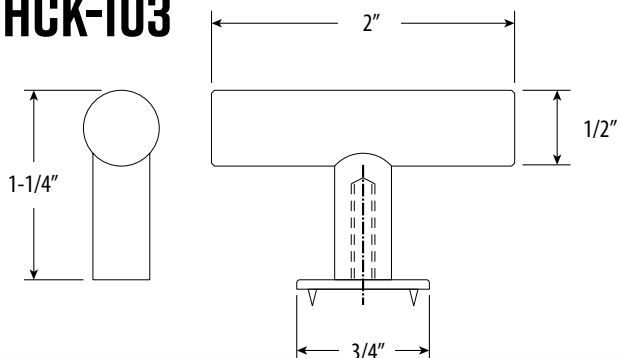
GRP 1	80
GRP 2	105
GRP 3	132
SS	139

FEATURES:

- 2" wide plain design.
- Made from solid brass or 316 stainless steel.
- Includes mounting hardware.
- Fits materials from 1/4" to 1-1/2" thick.



HCK-103



CONTEMPORARY T-PULL

LIST PRICES:

GRP 1	86
GRP 2	111
GRP 3	141
SS	149

FEATURES:

- 2" wide plain design.
- Made from solid brass or 316 stainless steel.
- Includes mounting hardware.
- Fits materials from 1/4" to 1-1/2" thick.



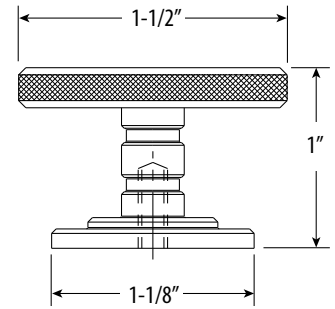
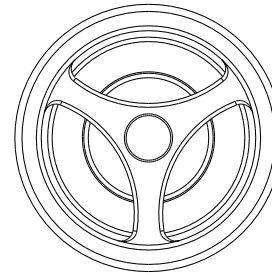
INDUSTRIAL 3 SPOKE KNOB

LIST PRICES:

GRP 1	153
GRP 2	163
GRP 3	203
SS	N/A

FEATURES:

- 1-1/2" wide 3 spoke, knurled design.
- Made from solid brass.
- Includes mounting hardware.
- Fits materials from 1/4" to 1-1/2" thick.



HIK-200

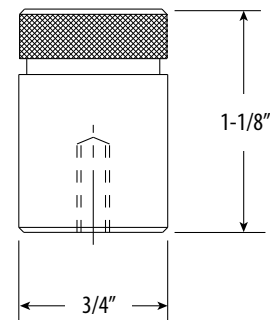
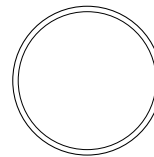
INDUSTRIAL SMALL KNURLED KNOB

LIST PRICES:

GRP 1	60
GRP 2	63
GRP 3	83
SS	N/A

FEATURES:

- 3/4" wide knurled design.
- Designed with intricate diamond knurling.
- Made from solid brass.
- Includes mounting hardware.
- Fits materials from 1/4" to 1-1/2" thick.



HIK-201

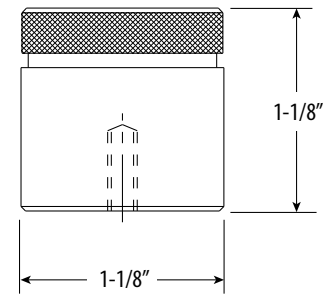
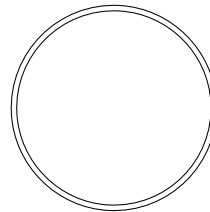
INDUSTRIAL LARGE KNURLED KNOB

LIST PRICES:

GRP 1	62
GRP 2	66
GRP 3	85
SS	N/A

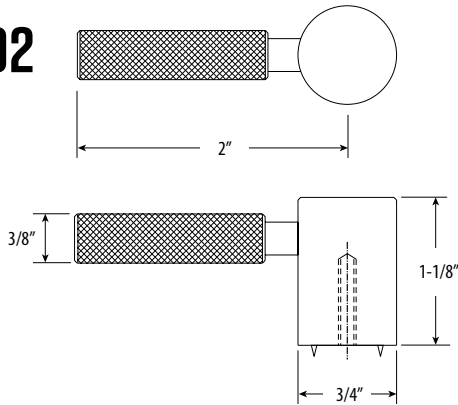
FEATURES:

- 1-1/8" wide knurled design.
- Designed with intricate diamond knurling.
- Made from solid brass.
- Includes mounting hardware.
- Fits materials from 1/4" to 1-1/2" thick.



HIK-202

HMK-102



MODERN INDUSTRIAL POST PULL

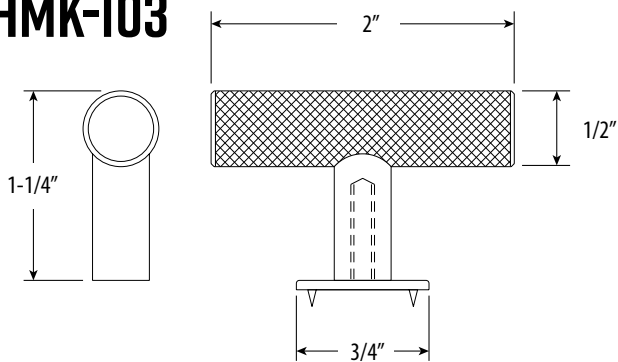
LIST PRICES:

GRP 1	112
GRP 2	146
GRP 3	184
SS	N/A

FEATURES:

- 2-1/4" wide industrial design.
- Perfect for modern kitchen designs.
- Designed with intricate diamond knurling.
- Matches all Waterstone Industrial Faucets.
- Made from solid brass.
- Includes mounting hardware.
- Fits materials from 1/4" to 1-1/2" thick.
- Available in 31 finishes and split finishes.

HMK-103



MODERN INDUSTRIAL T-PULL

LIST PRICES:

GRP 1	120
GRP 2	155
GRP 3	197
SS	N/A

FEATURES:

- 2" wide industrial design.
- Perfect for modern kitchen designs.
- Designed with intricate diamond knurling.
- Matches all Waterstone Industrial Faucets.
- Made from solid brass.
- Includes mounting hardware.
- Fits materials from 1/4" to 1-1/2" thick.
- Available in 31 finishes and split finishes.

TRADITIONAL CABINET PULLS

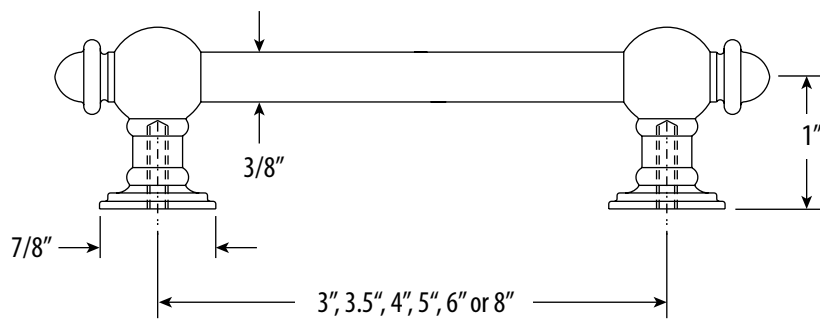
LIST PRICES:

MODEL #	SIZE	GRP 1	GRP 2	GRP 3	SS
HTP-0300	3"	129	174	229	N/A
HTP-0350	3.5"	145	177	232	N/A
HTP-0400	4"	149	184	240	N/A
HTP-0500	5"	155	189	248	N/A
HTP-0600	6"	160	195	256	N/A
HTP-0800	8"	168	202	266	N/A

FEATURES:

- Choice of 3", 3.5", 4", 5", 6" and 8" center to center.
- Matches all Waterstone Traditional Faucets.
- Made with solid brass.
- Includes mounting hardware.
- Fits materials from 1/4" to 1-1/2" thick.
- Available in 31 finishes and split finishes.

HTP-0300
HTP-0350
HTP-0400
HTP-0500
HTP-0600
HTP-0800



CONTEMPORARY CABINET PULLS

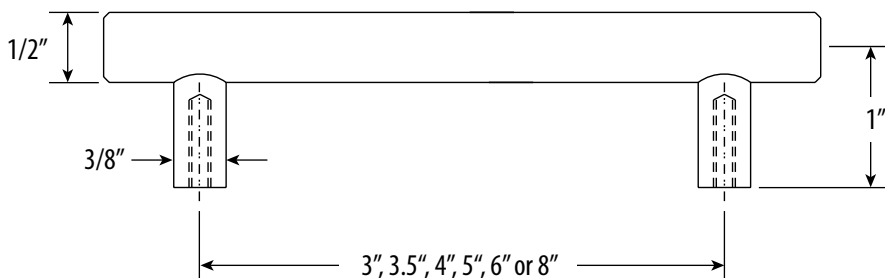
LIST PRICES:

MODEL #	SIZE	GRP 1	GRP 2	GRP 3	SS
HCP-0300	3"	78	102	129	137
HCP-0350	3.5"	79	106	132	139
HCP-0400	4"	81	108	134	143
HCP-0500	5"	84	111	138	144
HCP-0600	6"	86	113	142	149
HCP-0800	8"	89	115	150	165

FEATURES:

- Choice of 3", 3.5", 4", 5", 6" and 8" center to center.
- Matches all Waterstone Contemporary and Modern Faucets.
- Made with solid brass or 316 stainless steel.
- Includes mounting hardware.
- Fits materials from 1/4" to 1-1/2" thick.
- Available in 31 finishes, solid stainless steel and split finishes.

HCP-0300
HCP-0350
HCP-0400
HCP-0500
HCP-0600
HCP-0800



HARDWARE

FINISH GROUP 1: CH
FINISH GROUP 2: BLN, CHB, CLZ, GR, MB, MW, PB, PN, SB, SC, SN, UPB
FINISH GROUP 3: AB, ABZ, AC, AMB, AP, CB, DAB, DAC, DAMB, DAP, MAB, MAC, MAP, ORB, PC, TB

PRECIOUS METALS: PG, SG - 30% increase from Group 3*
STAINLESS STEEL: SS
SPLIT FINISHES: SEE PAGE 32

*Pricing subject to change

CABINET PULLS

HIP-0500 HIP-0600 HIP-0800

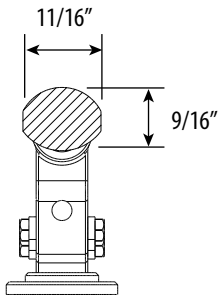
INDUSTRIAL HANDLE PULLS

LIST PRICES:

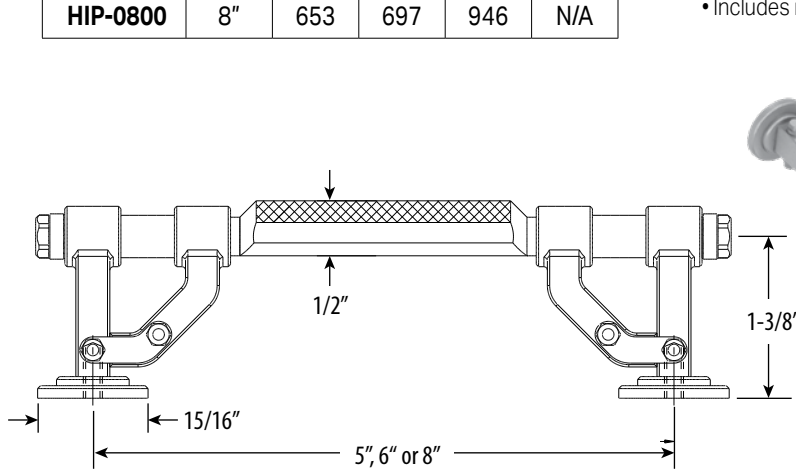
MODEL #	SIZE	GRP 1	GRP 2	GRP 3	SS
HIP-0500	5"	635	678	921	N/A
HIP-0600	6"	642	685	932	N/A
HIP-0800	8"	653	697	946	N/A

FEATURES:

- Choice of 5", 6" or 8" center to center.
- Designed with intricate diamond knurling.
- Matches all Waterstone Industrial Faucets.
- Fits materials from 1/4" to 1-1/2" thick.
- Made with solid brass.
- Includes mounting hardware.



SIDE VIEW



HMP-0300 HMP-0350 HMP-0400 HMP-0500 HMP-0600 HMP-0800

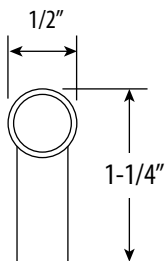
MODERN INDUSTRIAL CABINET PULLS

LIST PRICES:

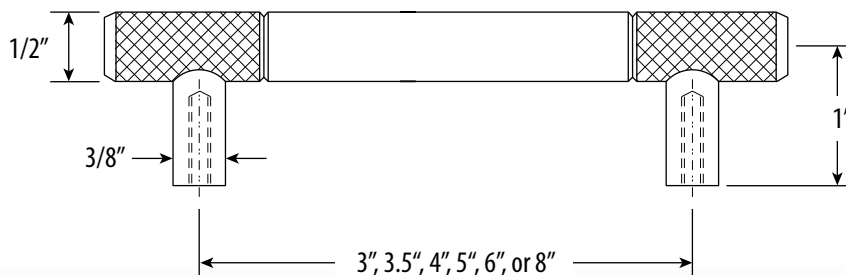
MODEL #	SIZE	GRP 1	GRP 2	GRP 3	SS
HMP-0300	3"	144	188	232	N/A
HMP-0350	3.5"	149	194	244	N/A
HMP-0400	4"	154	205	255	N/A
HMP-0500	5"	159	211	263	N/A
HMP-0600	6"	164	215	270	N/A
HMP-0800	8"	169	219	285	N/A

FEATURES:

- Choice of 3", 3.5", 4", 5", 6" and 8" center to center.
- Designed with intricate diamond knurling.
- Matches all Waterstone Industrial Faucets.
- Made with solid brass.
- Includes mounting hardware.
- Fits materials from 1/4" to 1-1/2" thick.



SIDE VIEW



HARDWARE

FINISH GROUP 1: CH
FINISH GROUP 2: BLN, CHB, CLZ, GR, MB, MW, PB, PN, SB, SC, SN, UPB
FINISH GROUP 3: AB, ABZ, AC, AMB, AP, CB, DAB, DAC, DAMB, DAP, MAB, MAC, MAP, ORB, PC, TB

PRECIOUS METALS: PG, SG - 30% increase from Group 3*
STAINLESS STEEL: SS
SPLIT FINISHES: SEE PAGE 32

INDUSTRIAL BIN PULLS

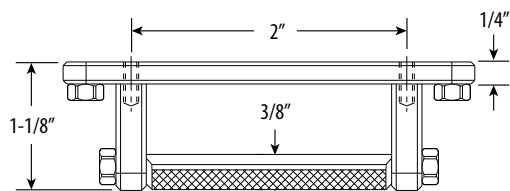
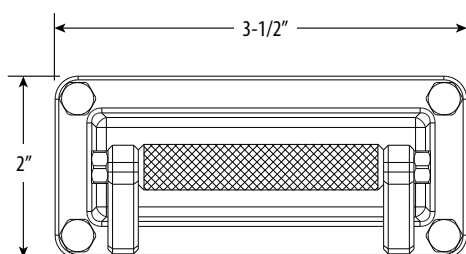
HIP-0200
HIP-0300
HIP-0400

LIST PRICES:

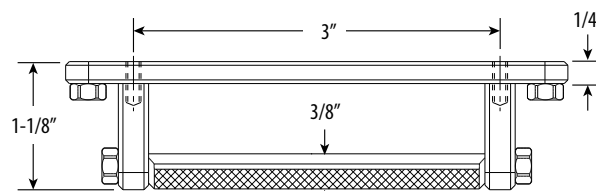
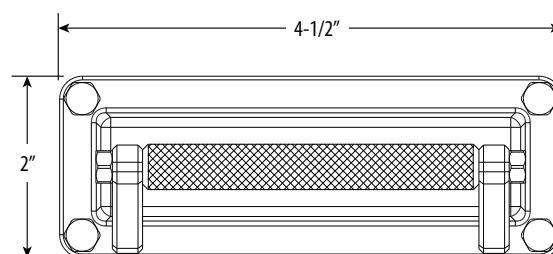
MODEL #	SIZE	GRP 1	GRP 2	GRP 3	SS
HIP-0200	2"	411	432	562	N/A
HIP-0300	3"	504	530	689	N/A
HIP-0400	4"	522	549	715	N/A

FEATURES:

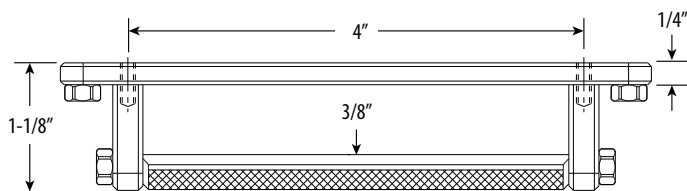
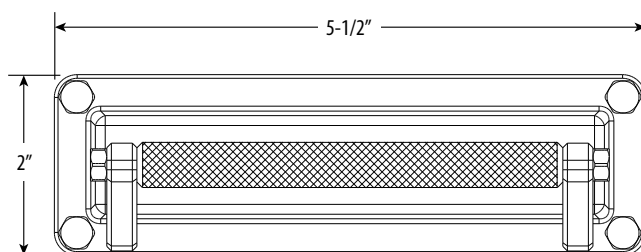
- Choice of 2", 3" and 4" bin pulls.
- Designed with intricate diamond knurling.
- Matches all Waterstone Industrial Faucets.
- Made with solid brass.
- Includes mounting hardware.
- Fits materials from 1/4" to 1-1/2" thick.



2" PULL



3" PULL



4" PULL



HARDWARE

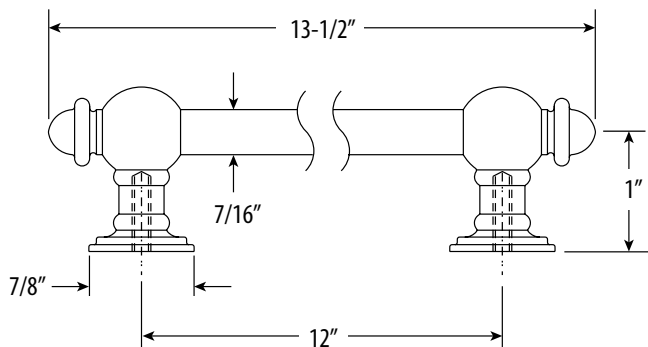
FINISH GROUP 1: CH
FINISH GROUP 2: BLN, CHB, CLZ, GR, MB, MW, PB, PN, SB, SC, SN, UPB
FINISH GROUP 3: AB, ABZ, AC, AMB, AP, CB, DAB, DAC, DAMB, DAP, MAB, MAC, MAP, ORB, PC, TB

PRECIOUS METALS: PG, SG - 30% increase from Group 3*
STAINLESS STEEL: SS
SPLIT FINISHES: SEE PAGE 32

*Pricing subject to change

HEAVY DUTY DRAWER PULLS

HTP-1200



TRADITIONAL 12" HEAVY DUTY DRAWER PULL

LIST PRICES:

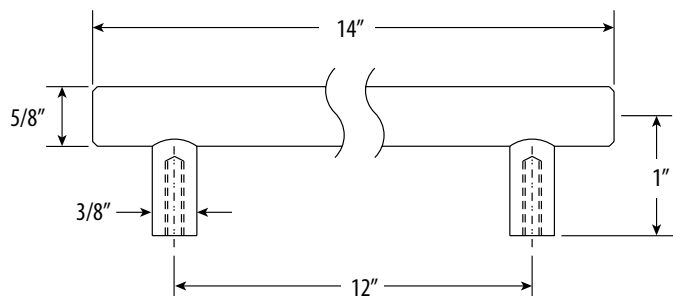
GRP 1	188
GRP 2	210
GRP 3	275
SS	N/A

FEATURES:

- 12" center to center.
- Made from solid brass.
- Includes mounting hardware.
- Fits materials from 1/4" to 1-1/2" thick.



HCP-1200



CONTEMPORARY 12" HEAVY DUTY DRAWER PULL

LIST PRICES:

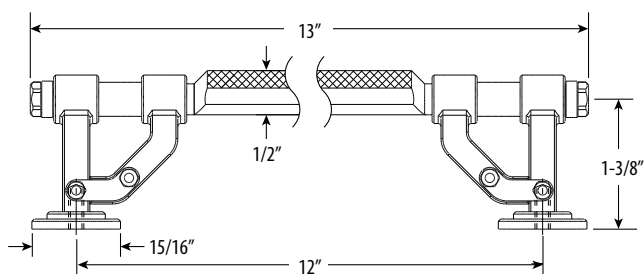
GRP 1	178
GRP 2	206
GRP 3	266
SS	289

FEATURES:

- 12" center to center.
- Made from solid brass or 316 stainless steel.
- Includes mounting hardware.
- Fits materials from 1/4" to 1-1/2" thick.



HIP-1200



INDUSTRIAL 12" HEAVY DUTY DRAWER PULL

LIST PRICES:

GRP 1	668
GRP 2	713
GRP 3	967
SS	N/A

FEATURES:

- 12" center to center.
- Designed with diamond knurling pattern.
- Made from solid brass.
- Includes mounting hardware.
- Fits materials from 1/4" to 1-1/2" thick.



FINISH GROUP 1: CH
FINISH GROUP 2: BLN, CHB, CLZ, GR, MB, MW, PB, PN, SB, SC, SN, UPB
FINISH GROUP 3: AB, ABZ, AC, AMB, AP, CB, DAB, DAC, DAMB, DAP, MAB, MAC, MAP, ORB, PC, TB

PRECIOUS METALS: PG, SG - 30% increase from Group 3*
STAINLESS STEEL: SS
SPLIT FINISHES: SEE PAGE 32

*Pricing subject to change

MODERN INDUSTRIAL 12" HEAVY DUTY DRAWER PULL

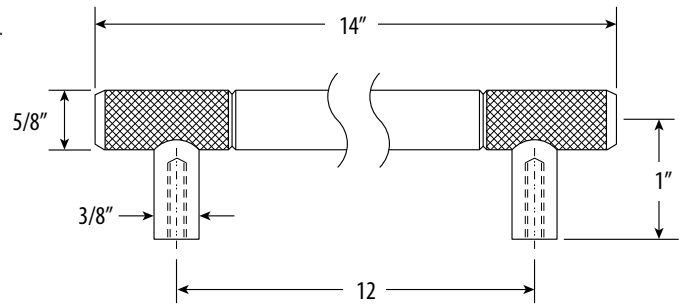
HMP-1200

LIST PRICES:

GRP 1	337
GRP 2	391
GRP 3	505
SS	N/A

FEATURES:

- Ideal for heavy cabinet drawers or dishwashers.
- 12" center to center.
- Matches all Waterstone Industrial Faucets.
- Made from solid brass.
- Fits materials from 1/4" to 1-1/2" thick.
- Includes mounting hardware.



HTP-1201
HTP-1800
HTP-2400
HTP-3000

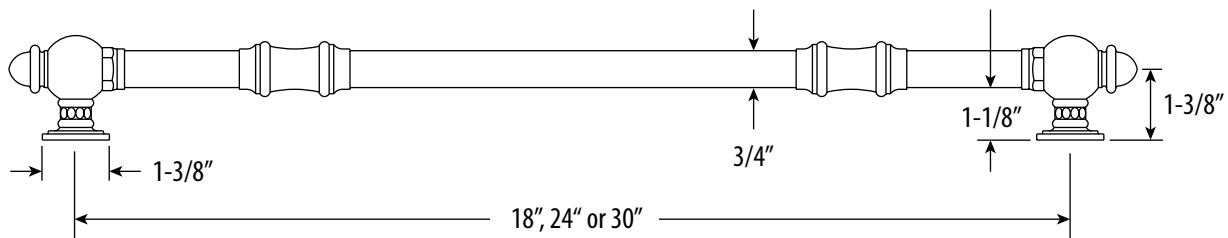
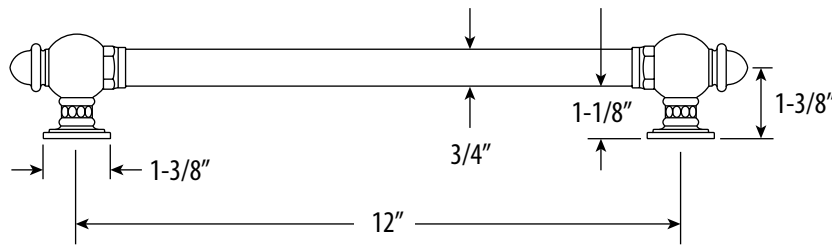
TRADITIONAL 12", 18", 24" AND 30" APPLIANCE / DOOR PULLS

LIST PRICES:

MODEL #	SIZE	GRP 1	GRP 2	GRP 3	SS
HTP-1201	12"	258	298	391	N/A
HTP-1800	18"	631	706	925	N/A
HTP-2400	24"	698	777	1019	N/A
HTP-3000	30"	748	795	1042	N/A

FEATURES:

- Choice of 12", 18", 24" or 30" center to center.
- Made from solid brass.
- Includes mounting hardware.
- Fits materials from 1/4" to 1-1/2" thick.



HCP-1201
HCP-1800
HCP-2400
HCP-3000

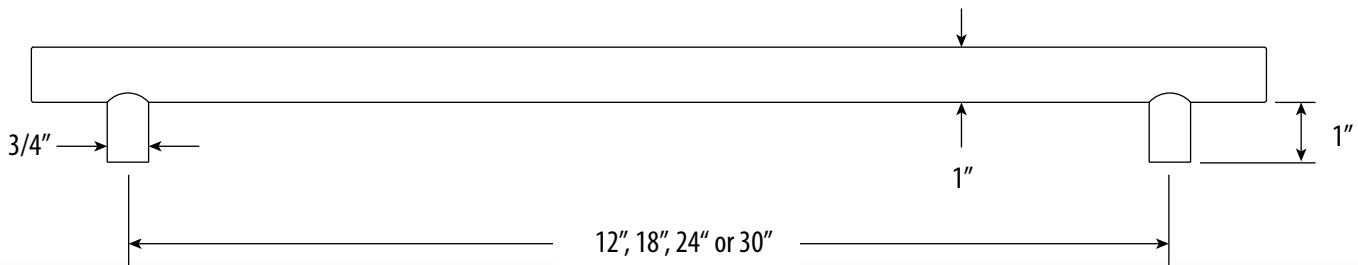
CONTEMPORARY 12", 18", 24" AND 30" APPLIANCE / DOOR PULLS

LIST PRICES:

MODEL #	SIZE	GRP 1	GRP 2	GRP 3	SS
HCP-1201	12"	391	415	549	615
HCP-1800	18"	492	518	676	747
HCP-2400	24"	565	589	794	835
HCP-3000	30"	722	768	963	1032

FEATURES:

- Choice of 12", 18", 24" or 30" center to center.
- Minimal style is ideal for modern kitchens.
- Made from brass or 316 stainless steel.
- Includes mounting hardware.
- Fits materials from 1/4" to 1-1/2" thick.



FINISH GROUP 1: CH
FINISH GROUP 2: BLN, CHB, CLZ, GR, MB, MW, PB, PN, SB, SC, SN, UPB
FINISH GROUP 3: AB, ABZ, AC, AMB, AP, CB, DAB, DAC, DAMB, DAP, MAB, MAC, MAP, ORB, PC, TB

PRECIOUS METALS: PG, SG - 30% increase from Group 3*
STAINLESS STEEL: SS
SPLIT FINISHES: SEE PAGE 32

*Pricing subject to change

INDUSTRIAL 12", 18", 24" AND 30" APPLIANCE / DOOR PULLS

LIST PRICES:

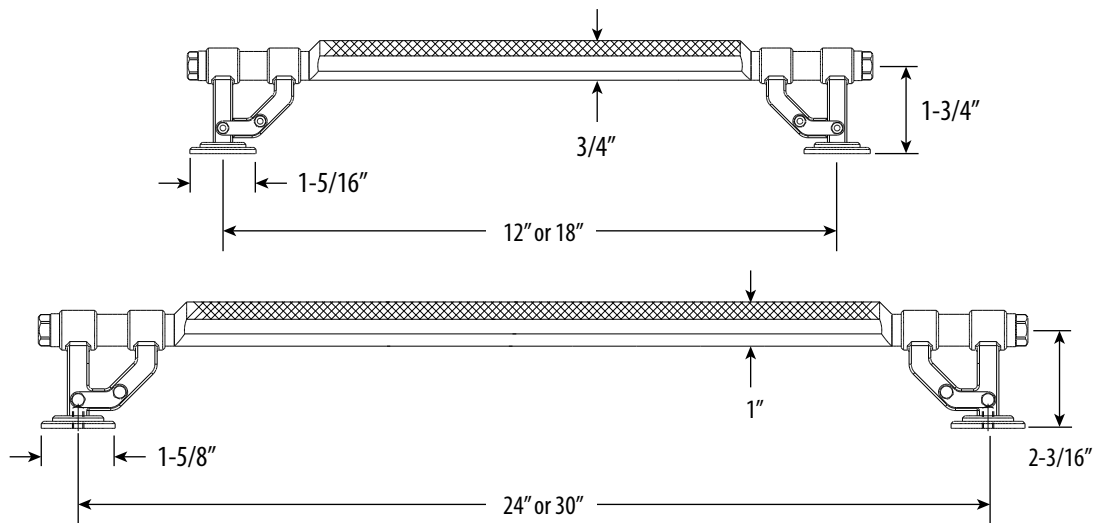
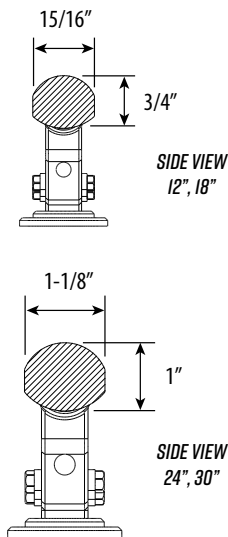
MODEL #	SIZE	GRP 1	GRP 2	GRP 3	SS
HIP-1201	12"	1153	1211	1559	N/A
HIP-1800	18"	1210	1265	1629	N/A
HIP-2400	24"	1233	1289	1662	N/A
HIP-3000	30"	1304	1363	1759	N/A

FEATURES:

- Choice of 12", 18", 24" or 30" center to center.
- 24" and 30" feature heavy duty 1" thick handles.
- Made from solid brass.
- Includes mounting hardware.
- Fits materials from 1/4" to 1-1/2" thick.



HIP-1201
HIP-1800
HIP-2400
HIP-3000



MODERN INDUSTRIAL 12", 18", 24" AND 30" APPLIANCE / DOOR PULLS

LIST PRICES:

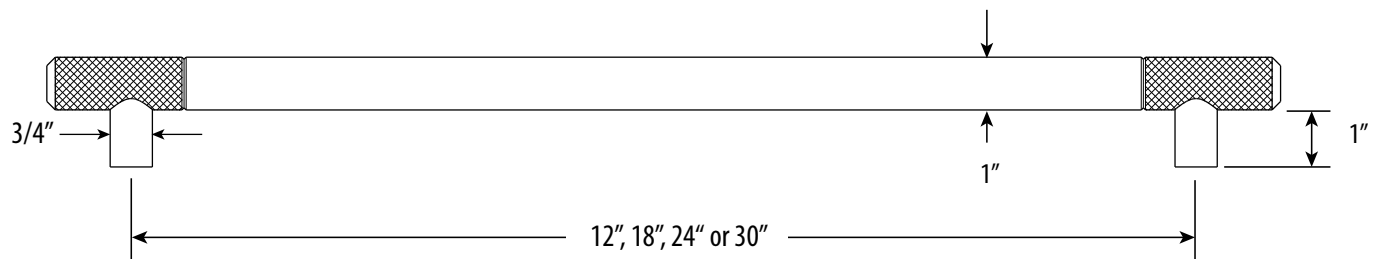
MODEL #	SIZE	GRP 1	GRP 2	GRP 3	SS
HMP-1201	12"	586	623	823	N/A
HMP-1800	18"	671	706	922	N/A
HMP-2400	24"	847	883	1191	N/A
HMP-3000	30"	1083	1152	1443	N/A

FEATURES:

- Choice of 12", 18", 24" or 30" center to center.
- Designed with intricate diamond knurling.
- Made from solid brass.
- Includes mounting hardware.
- Fits materials from 1/4" to 1-1/2" thick.



HMP-1201
HMP-1800
HMP-2400
HMP-3000



FINISH GROUP 1: CH
FINISH GROUP 2: BLN, CHB, CLZ, GR, MB, MW, PB, PN, SB, SC, SN, UPB
FINISH GROUP 3: AB, ABZ, AC, AMB, AP, CB, DAB, DAC, DAMB, DAP, MAB, MAC, MAP, ORB, PC, TB

PRECIOUS METALS: PG, SG - 30% increase from Group 3*
STAINLESS STEEL: SS
SPLIT FINISHES: SEE PAGE 32

*Pricing subject to change

HMP-1201B
HMP-1800B

MODERN INDUSTRIAL 12" AND 18" DOOR PULLS / 2 PULLS BACK TO BACK

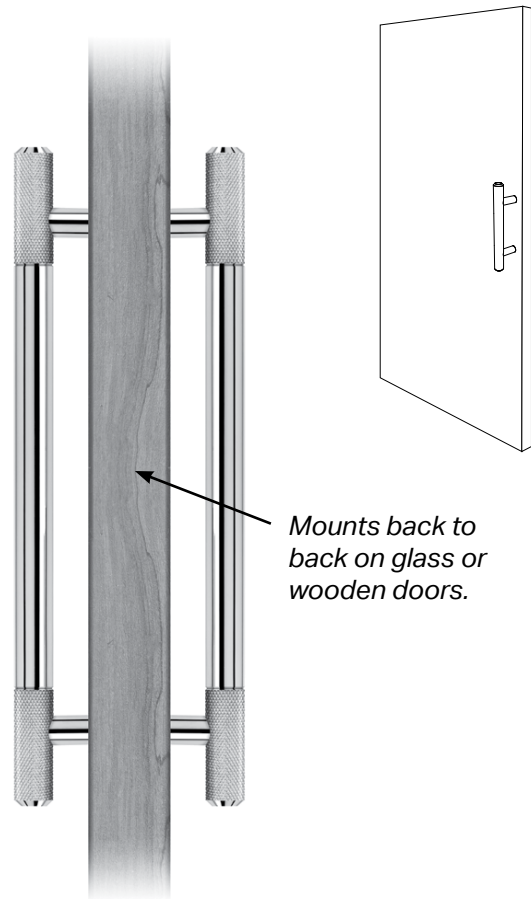
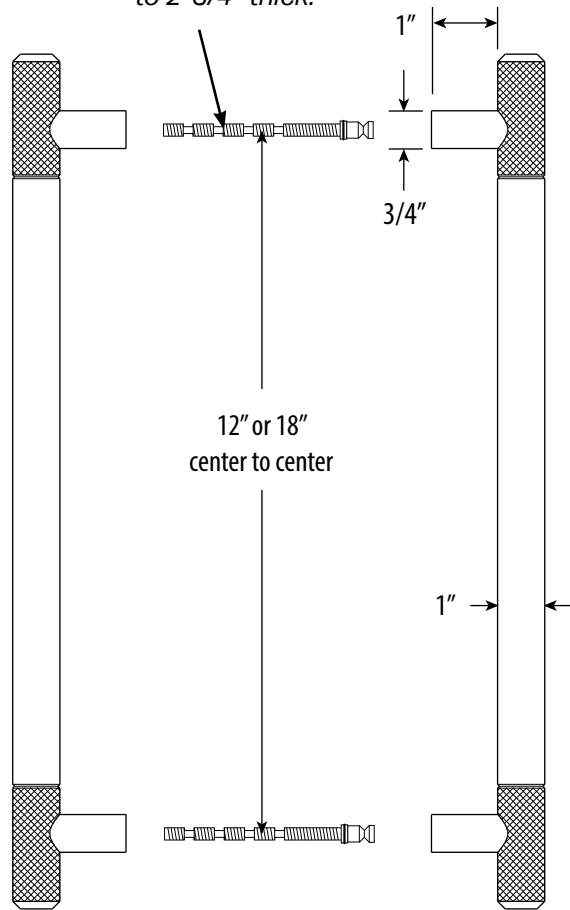
LIST PRICES:

MODEL #	SIZE	GRP 1	GRP 2	GRP 3	SS
HMP-1201B	12"	1226	1293	1679	N/A
HMP-1800B	18"	1502	1573	2028	N/A

FEATURES:

- 2 piece, back to back door pull set.
- Adds a modern touch to glass or wooden doors.
- 12" or 18" center to center.
- Matches all Waterstone Industrial Faucets and hardware.
- Made from brass.
- Includes mounting hardware with break to length screws.
- Fits doors from 1/4" to 2-3/4" thick.

Break away screws fits doors from 1/4" to 2-3/4" thick.



SIDE VIEW

MODERN INDUSTRIAL 24" AND 30" DOOR PULLS / 2 PULLS BACK TO BACK

LIST PRICES:

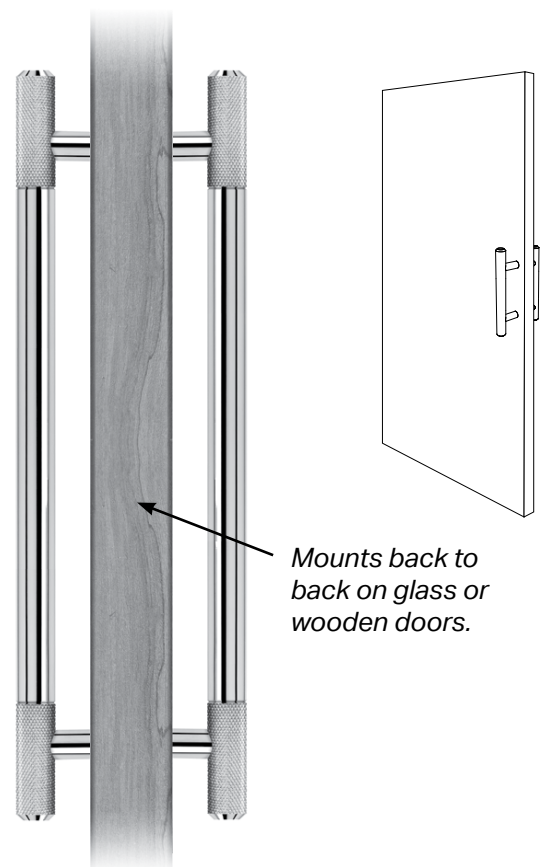
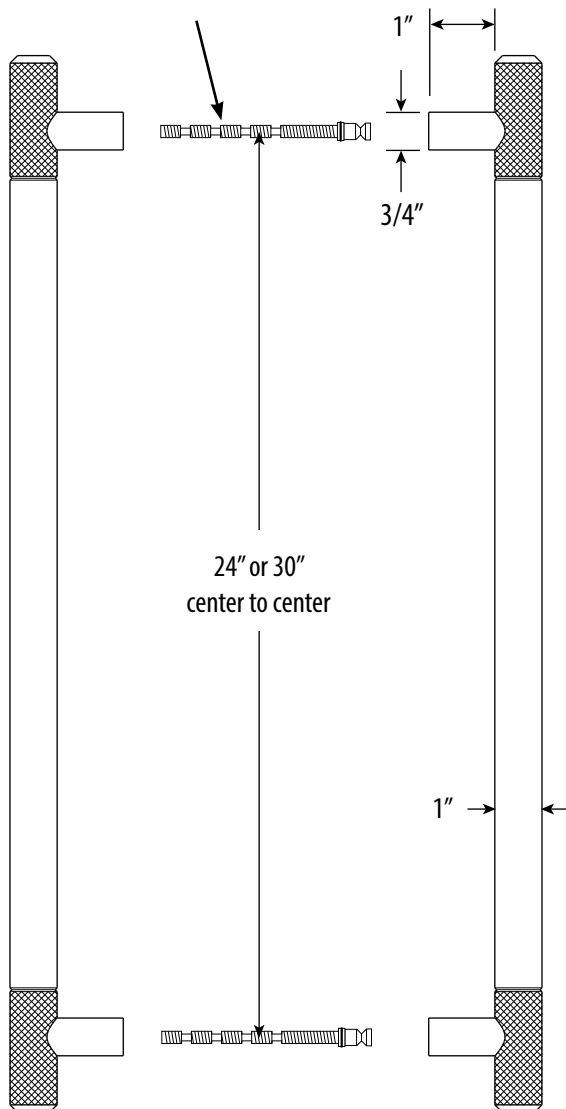
MODEL #	SIZE	GRP 1	GRP 2	GRP 3	SS
HMP-2400B	24"	1855	1926	2564	N/A
HMP-3000B	30"	2326	2465	3070	N/A

FEATURES:

- 2 piece, back to back door pull set.
- Adds a modern touch to glass or wooden doors.
- 24" or 30" center to center.
- Matches all Waterstone Industrial Faucets and hardware.
- Made from brass.
- Includes mounting hardware with break to length screws.
- Fits doors from 1/4" to 2-3/4" thick.

HMP-2400B
HMP-3000B

Break away screws fits doors from 1/4" to 2-3/4" thick.



SIDE VIEW

Mounts back to back on glass or wooden doors.

HARDWARE

FINISH GROUP 1: CH
 FINISH GROUP 2: BLN, CHB, CLZ, GR, MB, MW, PB, PN, SB, SC, SN, UPB
 FINISH GROUP 3: AB, ABZ, AC, AMB, AP, CB, DAB, DAC, DAMB, DAP, MAB, MAC, MAP, ORB, PC, TB

PRECIOUS METALS: PG, SG - 30% increase from Group 3*
 STAINLESS STEEL: SS
 SPLIT FINISHES: SEE PAGE 32

*Pricing subject to change

UNILATERAL MINIMUM RETAIL PRICE (UMRP)

This policy became effective on January 1st 2017, all distributors and dealers doing business with WATERSTONE on and after that date are bound to the terms and conditions of this policy.

Waterstone Faucets is dedicated to providing our distributors and dealers with the highest quality, most innovative products sold through superior sales and marketing support. With this company objective in mind, Waterstone Faucets is introducing its Unilateral Minimum Retail Price (UMRP) Policy in order to maintain proper positioning of our products in the marketplace, to define guidelines for the use of Waterstone patented, trademarked and copyrighted product and materials, and to solidify and preserve a consistent value for our distributors and dealers.

UNILATERAL POLICY GUIDELINES -

Each distributor and dealer remains free to determine for itself the resale prices at which it will sell and promote its products and each distributor or dealer is free to independently decide whether or not to follow the WATERSTONE UMRP policy. WATERSTONE does not ask for, nor will it accept, any assurance of compliance or agreement from a distributor or dealer regarding the UMRP policy. WATERSTONE is unilaterally implementing the Policy. WATERSTONE will determine whether or not distributors and dealers are in violation of the UMRP policy and will enforce the policy as it is warranted. All Decisions by WATERSTONE to take action for a violation of the UMRP Policy are final. There will be no negotiations.

The UMRP policy applies to discounted products, clearance items and closeouts. Waterstone has a very liberal return and repair policy. Products may be sent to us for repair to return them to their original saleable condition, therefore, the need for clearances and closeouts is unwarranted.

UMRP POLICY TERMS AND CONDITIONS -

WATERSTONE has established a Minimum Advertised Price (MAP) for all products. The Waterstone MAP is calculated at .75 times (25%) off current Waterstone Retail List Price in effect. This means that the advertised "Net Price" to the end user (The Waterstone Retail list price less all discounts, coupons, allowances, and free goods or services offered with Waterstone Products) must not be below the current WATERSTONE MAP.

WATERSTONE may engage in monitoring of advertised prices of Product sales in all channels, whether directly or via the use of third parties. Third parties retained by WATERSTONE may engage in monitoring of Product sales by distributors and dealers to verify that the terms of this Policy are being upheld. WATERSTONE reserves the right to change the MAP on 30 days written notice.

The UMRP policy applies to any and all advertisements, quotes, bids, estimates and invoices in all media including, but not limited to, inserts, newspapers, magazines, catalogs, public signage, billboards, and any other print media, television, radio, email, internet websites or other commerce, flyers, posters, coupons, brochures, and use of hypertext transfer protocol or internal links to a web based shopping cart and any other electronic media.

At no time may a distributor or dealer make any statements or other indication on any advertisements that a price below WATERSTONE'S MAP can be obtained by contacting the distributor or dealer, visiting the distributor or dealer showroom, clicking through to another price on a website, or any other means. A distributor or dealer may not use any WATERSTONE name(s), trademark(s), logo(s), patent(s) or products names(s), in a way that is not in accordance with this Policy or violates WATERSTONE'S MAP. This includes all product images, brand logos and any and all copyrighted materials.

VIOLATIONS -

In the event that a distributor or dealer violates this policy:

FIRST VIOLATION – WATERSTONE will notify the offending distributor or dealer in writing of the violation. The distributor or dealer will have ten (10) calendar days to correct the violation of the UMRP Policy and comply with WATERSTONE MAP.

If the distributor or dealer fails to correct the violation within the provided time, WATERSTONE will decrease the discounted price at which the distributor or dealer purchases WATERSTONE products by 10 percent for a period of ninety (90) calendar days. Additionally, WATERSTONE will remove the distributor or dealer from all links and listing on WATERSTONE'S website, and the distributor or dealer will be suspended from all sales programs offered to the distributor or dealer including but not limited to rebates, early pay incentives, freight programs, and sales incentives.

If at the end of the 90 day suspension period the distributor or dealer has complied with the policy and not otherwise violated the MAP, then the distributor or dealer will be reinstated to full status, and the suspended distributor or dealer programs will be re-started.

However, if the distributor or dealer continues to be in violation of the UMRP policy at the end of the ninety (90) day suspension period, it will be considered a second violation.

SECOND VIOLATION – At this time all pending orders will be immediately cancelled, and WATERSTONE will not accept any new orders. WATERSTONE will notify the distributor or dealer in writing and at its own discretion and without liability under any existing contracts or agreements, initiate the process to terminate the distributor or dealer authorization to sell WATERSTONE products.

TERMS AND CONDITIONS

PAYMENT TERMS:

Regular payment terms are Net 30 days, DOI with credit approval. Waterstone also accepts payments made by VISA, MASTERCARD, AMERICAN EXPRESS and DISCOVER credit cards. Starting October 1, 2022 – If you choose to pay your invoice(s) with a credit card, you'll be charged a 3% surcharge. We do not accept debit card payments.

Waterstone shall have the option to charge 1½% interest on all past due accounts monthly. In the event of legal action to collect any past due amounts, the buyer shall be responsible for all attorney collection fees, court costs or other fees reasonable and proper for such collection(s).

FREIGHT:

All orders are F.O.B. Murrieta, CA. In general, all goods are shipped UPS ground unless otherwise specified by the customers Purchase Order. Shipments that can be consolidated to a pallet size may be shipped via common carrier. Customer preferred shippers or method of shipment will be accommodated providing such preference is listed on the customers Purchase Order.

PRICING:

All prices and terms are subject to change without notice.

CLAIMS:

All claims for shortages or damages must be made within ten (10) days from receipt of merchandise. Claims for merchandise delivered damaged must be filed with the delivery carrier within 7 days. Request an immediate inspection by the carrier.

RETURNS:

All returns are subject to the terms and conditions of the Waterstone warranty. A RETURNED GOODS AUTHORIZATION number (RGA #) must be obtained by the customer from the Waterstone Customer Care Department prior to any merchandise return. The RGA # must appear on the return packing slip/document and a copy of the approved pending RGA form must be in the box with the returned unit. Upon inspection, Waterstone, at its option will either repair or replace the item if the defect falls under the guidelines of the warranty. New, unused and sealed merchandise in its original packaging of current design purchased within the last 12 months that is accepted by the Company for return is subject to a 35% restocking charge. If the product returned is damaged by the recipient or damaged in transit for return, Waterstone has the right to rescind the restock fee and charge up to the full purchase price of the unit. All credits provided for returned product or otherwise are only valid for 90 days from date of approval and issue by Waterstone. If unused by the recipient after 90 days the credit is null and void, and the RGA product will not be returned. Credits can only be used for Waterstone merchandise.

MINIMUM ORDER:

Order minimum is \$ 50.00 for active account.

DEFAULT:

If a customer is in default under any order of contract with Waterstone, or if Waterstone at any time shall not be satisfied with its customer's financial condition or responsibility, Waterstone shall have the right, without prejudice, to legal remedy including suspending deliveries until such default or condition is remedied.

TITLE:

All merchandise is sold subject to these conditions and shall remain the property of Waterstone until paid for in full, with the provision that all risk of loss or damage to merchandise is assumed by the customer.

LIMITED LIFETIME FUNCTIONAL WARRANTY

Since 1999, Waterstone has manufactured the highest quality kitchen faucets in the USA. We support our workmanship with a Limited Lifetime Functional Warranty. All Waterstone products manufactured by Waterstone carry a Limited Lifetime Guarantee against functional defects in material or workmanship in a residential application. Waterstone products will be free from defects in material and manufacturing workmanship, however, any damage due to improper installation, product abuse, product misuse, improper maintenance, alterations or accidents by a contractor, service company, or homeowner, are excluded from this warranty. Proof of purchase, from the original consumer, must accompany all warranty claims.

In the event of a problem with the product, Waterstone has the option to repair or replace the defective part/product, at our discretion, and may require the product be returned for inspection. If the product should develop any leaks or functionality issues, Waterstone will provide the necessary parts, at no cost, in order to return the faucet to fully functional condition.

Waterstone is not responsible for any labor charges incurred by the purchaser to repair, replace, install or remove the product(s). Waterstone is not responsible for any indirect, incidental or consequential damages, losses, injury or costs, of any nature, relating to the product, except as provided by law. This warranty is in lieu of and excludes all other warranties, conditions and guarantees, whether expressed or implied, statutory or otherwise, including, without restriction, those of merchantability or of fitness for use.

This warranty is valid only when products are purchased through an Authorized Waterstone Dealer/Distributor. Waterstone will not honor this warranty if the products are purchased from any unauthorized dealer, third-party vendor or online seller. The warranty applies to Waterstone faucets installed in the United States of America, Canada and Mexico only.

Products not manufactured by Waterstone, but distributed by Waterstone will carry only the original manufacturer's warranty.

WARNING - Since 2005, Waterstone has continued to advise all of our customers against the installation of any brand of in-line water chiller unit with our faucets. Compressor style chiller units have been proven to arbitrarily exceed the standard household in-line pressure ratings, causing the faucet inlet connection line to burst and create the potential for water damage claims in the field.

INSTALLATION OR USE OF AN IN-LINE WATER CHILLER WITH A WATERSTONE FAUCET, OF ANY KIND, WILL VOID THE WARRANTY. Waterstone will only recommend the installation of a water chiller in the vented side (in place of a hot tank) with one of our Hot Only or Hot and Cold Filtration Faucet models.

This warranty gives you specific legal rights, and you may also have other rights which vary from state/province to state/province. The above limitations or exclusions may not apply to you.

ORDER FULFILLMENT POLICY

1. The customer's order will be entered into the order fulfillment system on the day the order is received, providing the order is received by 2pm Pacific Standard Time.
2. An order confirmation will be faxed or emailed to the customer within one working day of the entry of the order into the order fulfillment system. The order confirmation will contain anticipated ship date information and a listing of all items and the customer's cost pricing of these items.
3. The factory will endeavor to ship all orders received as quickly and completely as possible in a single shipment.
4. The factory will ship a customer's order complete whenever the customer places such a request in the body of their purchase order. Without this specific written request, Waterstone will ship partial shipments as they become available.

DROP SHIP POLICY

WATERSTONE DROP SHIPMENT OUT OF REPRESENTATIVES REGION POLICY

1. Waterstone is committed to keeping our direct customers "selling field" as level and even as possible. Our customers invest in product displays, inventory, training of their sales staff, etc. Therefore, we wish to assist our customer's efforts to obtain excellent margins when selling our products.
 2. Waterstone will accept all orders from our direct purchase customers in qualified credit status and ship those orders to the customer's immediate local trading area. Any customer may certainly re-ship our product(s) after they receive them at their location of business.
 3. We will drop ship our product(s) for our direct purchase customer(s) within the geographic boundaries of their assigned Representatives Selling Region. We will not drop ship outside of these areas.
-

For warranty claims or replacement parts, contact Waterstone customer service:

1-888-304-0660

support@waterstoneco.com

Hours are from 6:00am to 5pm PST

Waterstone Faucets, LLC

41180 Raintree Court

Murrieta, CA 92562

CARE AND CLEANING

ATTENTION: Waterstone offers many finishes for its products. Every finish is unique and requires different techniques for care and cleaning. Find your product's finish in the sections below, and carefully read and follow directions for that finish.

CLEAR PROTECTIVE COATED FINISHES

ABOUT YOUR FINISH:

These finishes have a clear protective coating on them. Even though they have a protective coating, they are only considered semi-durable. If the outside clear coating is scratched or damaged in any way, the base metal finishes exposed will oxidize. Always wipe your fixture down with a clean soft cloth and keep it clean and dry after use.

CLEANING CAUTION:

Never use cleaners with bleach, abrasives, vinegar or acidic organic cleansers. Never use any type of abrasive pad, cloth or sponge. This can remove or dull the protective coating and damage the finish.

IMPORTANT NOTICE:

It is the responsibility of the customer to check for any material finish defects **BEFORE** installation.

SUGGESTED FINISH MAINTENANCE PROCEDURE:

1. Do not allow water spots to dry on the fixture. Keep the surface clean and dry after use.
2. Periodic cleaning can be done by using a mild diluted glass cleaner (we recommend Windex). Apply the mild cleaner to a soft clean cloth, and periodically wipe your fixture down to remove water spots and surface debris.

Antique Brass - AB
Antique Copper - AC
American Bronze - AMB
Antique Pewter - AP
Classic Bronze - CLZ
Dist. Antique Brass - DAB
Dist. Antique Copper - DAC
Dist. American Bronze - DAMB
Dist. Antique Pewter - DAP
Matte Antique Brass - MAB
Matte Antique Copper - MAC
Matte Antique Pewter - MAP
Polished Brass - PB
Polished Copper - PC
Satin Brass - SB
Satin Nickel - SN

POWDER COATED FINISHES

ABOUT YOUR FINISH:

These finishes are powder coated color finishes. They have **NO ADDITIONAL PROTECTIVE COATING**. These finishes are not considered durable finishes and can be scratched, chipped or scuffed. If the exterior color coating is damaged, the exposed metal base will oxidize. Always wipe your fixture down with a clean soft cloth and keep it clean and dry after use.

CLEANING CAUTION:

Never use cleaners with bleach, abrasives, vinegar or acidic organic cleansers. Never use any type of abrasive pad, cloth or sponge. This can remove, dull or damage the finish.

IMPORTANT NOTICE:

It is the responsibility of the customer to check for any material finish defects **BEFORE** installation.

SUGGESTED FINISH MAINTENANCE PROCEDURE:

1. Do not allow water spots to dry on the fixture. Keep the surface clean and dry after use.
2. Periodic cleaning can be done by using a mild diluted glass cleaner (we recommend Windex). Apply the mild cleaner to a soft clean cloth, and periodically wipe your fixture down to remove water spots and surface debris.
3. Never use cleaners with bleach, abrasives, or vinegar. Never use any type of abrasive pad or sponge.

Chocolate Bronze - CHB
Graphite - GR
Matte Black - MB
Matte White - MW

CARE AND CLEANING

LIVING FINISHES

ABOUT YOUR FINISH:

These finishes are considered Living Finishes and have **NO PROTECTIVE COATING** on them. Living finishes are finishes that have a very shallow patina on their surface. Essentially, the finish is what nature would do to the surface over a long period of time. The finishes are intended to change with time and generally darken slightly where they are not being touched, and highlight where the high use points are on the fixture. These finishes are not durable, and are easily scratched or scuffed. Waterstone initially applies a wax to the finish surface to help protect and prevent the finish from exposure to air and oxidizing prior to installation.

Antique Bronze - ABZ
Black-Oil Rubbed Bronze - ORB
Caribbean Bronze - CB
Tuscan Brass - TB
Unlacquered Polished Brass - UPB

CLEANING CAUTION:

Never use cleaners with bleach, abrasives, vinegar or acidic organic cleansers. In addition, hand oils, soaps, and acidic fluids can damage the finish. Never use any type of abrasive pad, cloth or sponge. This can remove, dull or damage the finish.

IMPORTANT NOTICE:

It is the responsibility of the customer to check for any material finish defects **BEFORE** installation. Waterstone does not warranty these finishes **AFTER** the fixture has been installed.

SUGGESTED FINISH MAINTENANCE PROCEDURE FOR ANTIQUE BRONZE, CARIBBEAN BRONZE, TUSCAN BRONZE AND UNLACQUERED POLISHED BRASS:

1. Do not allow water spots to dry on the fixture. Keep the surface clean and dry after use.
2. Periodic cleaning can be done by using a micro-crystalline wax (we recommend Renaissance Wax). Apply the wax with a soft non-abrasive tissue paper, and gently buff the wax with a soft clean cloth to help remove surface spots and add a protective coating to the finish.

SUGGESTED FINISH MAINTENANCE PROCEDURE FOR BLACK-OIL RUBBED BRONZE

1. Do not allow water spots to dry on the fixture. Keep the surface clean and dry after use.
2. Periodic cleaning can be done by applying mineral oil to a clean soft cloth and gently wiping down the finish surface to clean. Make sure not to rub too hard, in that you can remove too much of the surface patina surface with aggressive cleaning.
3. Once the mineral oil has been applied, with a clean soft dry cloth gently pat the finish surface to remove any excess oil on the fixture until the fixture no longer looks "wet".

PLATED FINISHES: CHROME / POLISHED NICKEL

ABOUT YOUR FINISH:

Polished Nickel is one of the most durable finishes Waterstone offers. The best general maintenance is regular cleaning. Always try and keep your finishes clean and dry. Trapped moisture on the surface of your finish can lead to staining. Nickel plated finishes are very tarnish resistant. However, they will tarnish over time from hand oils and exposure if not regularly cleaned and polished. They are not indestructible and can be scratched and marred.

Chrome - CH
Polished Nickel - PN

CLEANING CAUTION:

Never use cleaners with bleach, abrasives, vinegar or acidic organic cleansers. Never use any type of abrasive pad, cloth or sponge. This can remove or dull the protective coating and damage the finish.

IMPORTANT NOTICE:

It is the responsibility of the customer to check for any material finish defects **BEFORE** installation.

SUGGESTED FINISH MAINTENANCE PROCEDURE:

Cleaning Supplies: isopropyl alcohol, Microfiber cloth.

1. Do not allow water spots to dry on the fixture. Keep the surface clean and dry after use.
2. Periodic cleaning can be done by applying isopropyl alcohol with a soft clean cloth to gently remove surface spots.

SUGGESTED PROCEDURE FOR CLOUDY, TARNISHED OR WATER SPOTTED FIXTURES:

Cleaning Supplies: Simichrome polish, Microfiber cloth (2), (Optional: Flitz Faucet Wax)

1. Prepare the location by following the maintenance procedure listed above
2. In a well ventilated area apply a small amount of polish to the trouble spot on the faucet.
3. Using the microfiber cloth polish until cloth turns black or trouble spot is removed, take care to remove all excess polish.
4. Buff Surface with clean microfiber cloth to a brilliant luster.
5. (Optional) Using clean cloth apply Flitz faucet wax to all areas and let dry to a haze.
6. (Optional) Buff wax until haze is gone.

PLATED FINISHES: BLACK NICKEL / SATIN CHROME

ABOUT YOUR FINISH:

These finishes are the most durable finishes Waterstone offers. The best general maintenance is regular cleaning. Trapped moisture on the surface of your finish can lead to staining. Chrome plated finishes are very tarnish resistant. However, they are not indestructible and can scratch and mar.

Black Nickel - BLN
Satin Chrome - SC

CLEANING CAUTION:

Never use cleaners with bleach, abrasives, vinegar or acidic organic cleansers. Never use any type of abrasive pad, cloth or sponge. This can remove or dull the protective coating and damage the finish.

IMPORTANT NOTICE:

It is the responsibility of the customer to check for any material finish defects **BEFORE** installation.

CARE AND CLEANING

SUGGESTED FINISH MAINTENANCE PROCEDURE:

1. Do not allow water spots to dry on the fixture. Keep the surface clean and dry after use.
2. Periodic cleaning can be done by using a mild diluted glass cleaner (we recommend Windex). Apply the mild cleaner to a soft clean cloth, and periodically wipe your fixture down to remove water spots and surface debris.

316 MARINE GRADE STAINLESS STEEL

ABOUT YOUR FINISH:

Waterstone's stainless steel fixtures are actually made of solid 316 stainless steel. This finish has **NO PROTECTIVE COATING** on it. Stainless steel is by its material nature very tarnish resistant, but by no means tarnish or stain proof. This finish will indeed oxidize naturally over time and react to its environment, and in a reaction to some chemical cleaners that have bleach in them rusting can be induced on the finish. Keep your stainless fixture wiped clean and dry, and use only a cleaner specifically made for stainless steel. Trapped moisture on the surface of your finish can lead to staining.

Stainless Steel - SS

CLEANING CAUTION:

Never use cleaners with bleach, abrasives, vinegar or acidic organic cleansers. Never use any type of abrasive pad, cloth or sponge. This can remove, dull or damage the finish.

IMPORTANT NOTICE:

It is the responsibility of the customer to check for any material finish defects BEFORE installation.

SUGGESTED FINISH MAINTENANCE PROCEDURE:

1. Do not allow water spots to dry on the fixture. Keep the surface clean and dry after use.
2. Periodic cleaning can be done by applying a "stainless steel cleaner" with a soft clean cloth to gently remove surface spots and brighten the finish.

PRECIOUS METALS

ABOUT YOUR FINISH:

These finishes are made with real precious metal gold plating on top of the brass fixture surface. These finishes are considered Living Finishes, have **NO PROTECTIVE COATING** and are extremely soft. Some or all of the gold plating will be removed if any type of polish is used. Additionally, the finish will wear away with time. The gold plating is considered very delicate and can be easily scratched or scuffed.

*Polished Gold - PG
Satin Gold - SG*

CLEANING CAUTION:

Never use cleaners with bleach, abrasives, vinegar or acidic organic cleansers. Never use any type of abrasive pad, cloth or sponge. This can remove, dull or damage the finish.

IMPORTANT NOTICE:

It is the responsibility of the customer to check for any material finish defects **BEFORE** installation. Waterstone does not warranty these finishes **AFTER** the fixture has been installed.

SUGGESTED FINISH MAINTENANCE PROCEDURE:

1. Do not allow water spots to dry on the fixture. Keep the surface clean and dry after use.
2. Periodic cleaning can be done with mild liquid soap only. Wipe gently with a soft cloth to clean.

FINISH WARRANTIES

For a warranty claim for finish, a valid dated bill of sale or receipt from purchase must accompany any warranty request. This warranty is for normal wear and tear of finish surface, the warranty will be void for unintended use damage, lack of cleaning or improper cleaning and maintenance techniques directly resulting in a damaged finish.

LIFETIME WARRANTY

Waterstone carries a lifetime warranty on the following finishes:

Chrome - CH
Stainless Steel - SS

7 YEAR WARRANTY

Waterstone carries a 7 year warranty for the original purchaser from the date of sale. Warranty applies to normal wear for the following finishes:

Antique Brass - AB
Antique Copper - AC
American Bronze - AMB
Antique Pewter - AP
Black Nickel - BLN
Chocolate Bronze - CHB
Classic Bronze - CLZ
Distressed Antique Brass - DAB
Distressed Antique Copper - DAC
Distressed American Bronze - DAMB
Distressed Antique Pewter - DAP
Graphite - GR
Matte Antique Brass - MAB
Matte Antique Copper - MAC
Matte Antique Pewter - MAP
Matte Black - MB
Matte White - MW
Polished Brass - PB
Polished Copper - PC
Polished Nickel - PN
Satin Brass - SB
Satin Chrome - SC
Satin Nickel - SN

NO WARRANTY

Waterstone does not offer a warranty on living or gold finishes. The rate of deterioration will vary either from exposure to chemicals, perspiration, climate conditions, or other factors. Tarnishing or excessive wear of these finishes is therefore, not a defect, but a normal process, which is unavoidable. Under these circumstances, products will not be repaired or replaced under warranty for normal tarnishing or wear finishes.

Antique Bronze - ABZ
Caribbean Bronze - CB
Black-Oiled Rubbed Bronze - ORB
Polished Gold - PG
Satin Gold - SG
Tuscan Brass - TB
Unlacquered Polished Brass - UPB

SPLIT FINISHES

Standard split finish warranty applies to the lesser of the two warranties.

Chrome - CH
Classic Bronze - CLZ
Matte Black - MB
Matte White - MW
Polished Brass - PB
Polished Nickel - PN
Satin Brass - SB
Satin Nickel - SN
Stainless Steel - SS
Unlacquered Polished Brass - UPB

Custom split finishes have no finish warranty and are not eligible for returns.

FINISH GROUPS

GROUP 1 - STANDARD FINISHES

Chrome..... CH

GROUP 2 - SPECIALTY FINISHES

Black Nickel..... BLN
Chocolate Bronze CHB
Classic Bronze CLZ
Graphite..... GR
Matte Black MB
Matte White..... MW
Polished Brass PB
Polished Nickel PN
Satin Brass SB
Satin Chrome SC
Satin Nickel SN
Unlacquered Polished Brass UPB

GROUP 3 - ARTISAN FINISHES

Antique Brass..... AB
American Bronze..... AMB
Antique Bronze ABZ
Antique Copper AC
Antique Pewter AP
Black Oiled Rubbed Bronze ORB
Caribbean Bronze CB
Distressed Antique Brass DAB
Distressed Antique Copper DAC
Distressed American Bronze DAMB
Distressed Antique Pewter DAP
Matte Antique Brass MAB
Matte Antique Copper MAC
Matte Antique Pewter MAP
Polished Copper PC
Tuscan Brass TB

316 MARINE GRADE STAINLESS STEEL

Stainless Steel..... SS

PRECIOUS METALS

Polished Gold PG
Satin Gold SG

SPLIT FINISHES

Choose a primary and accent finish to create a two tone faucet on select products. Create any combination of the standard finishes listed below.

Chrome
Classic Bronze
Matte Black
Matte White
Polished Nickel
Polished Brass
Satin Brass
Satin Nickel
Stainless Steel
Unlacquered Polished Brass

Standard split finishes are +10% of higher group price. Custom designed split finish are +40% of higher group price.

LIVING FINISHES

Waterstone does not offer a warranty on living or gold finishes. The rate of deterioration will vary either from exposure to chemicals, perspiration, climate conditions, or other factors. Tarnishing or excessive wear of these finishes is therefore, not a defect, but a normal process, which is unavoidable. Under these circumstances, products will not be repaired or replaced under warranty for normal tarnishing or wear finishes. Living finishes include:

Antique Bronze
Black Oiled Rubbed Bronze
Caribbean Bronze
Tuscan Brass
Unlacquered Polished Brass

GROUP 1



Chrome

STAINLESS STEEL



316 Stainless Steel

PRECIOUS METALS



Polished Gold



Satin Gold

GROUP 2



Black Nickel



Chocolate Bronze



Classic Bronze



Graphite



Matte Black



Matte White



Polished Brass



Polished Nickel



Satin Brass



Satin Chrome



Satin Nickel



Unlacquered Polished Brass*

GROUP 3



Antique Brass



American Bronze



Antique Bronze*



Antique Copper



Antique Pewter



Black Oil Rubbed Bronze*



Caribbean Bronze*



Distressed Antique Brass



Distressed Antique Copper



Distressed American Bronze



Distressed Antique Pewter



Matte Antique Brass



Matte Antique Copper



Matte Antique Pewter



Polished Copper



Tuscan Brass*



SPLIT FINISHES
AVAILABLE

* Living finish



Kitchen design: Erika Barczak, By Design Interiors, Inc.

MADE IN THE USA

— ★ —
SINCE 1999

Waterstone Faucets
41180 Raintree Court, Murrieta, CA 92562
888-304-0660
www.waterstoneco.com
Printed in the USA